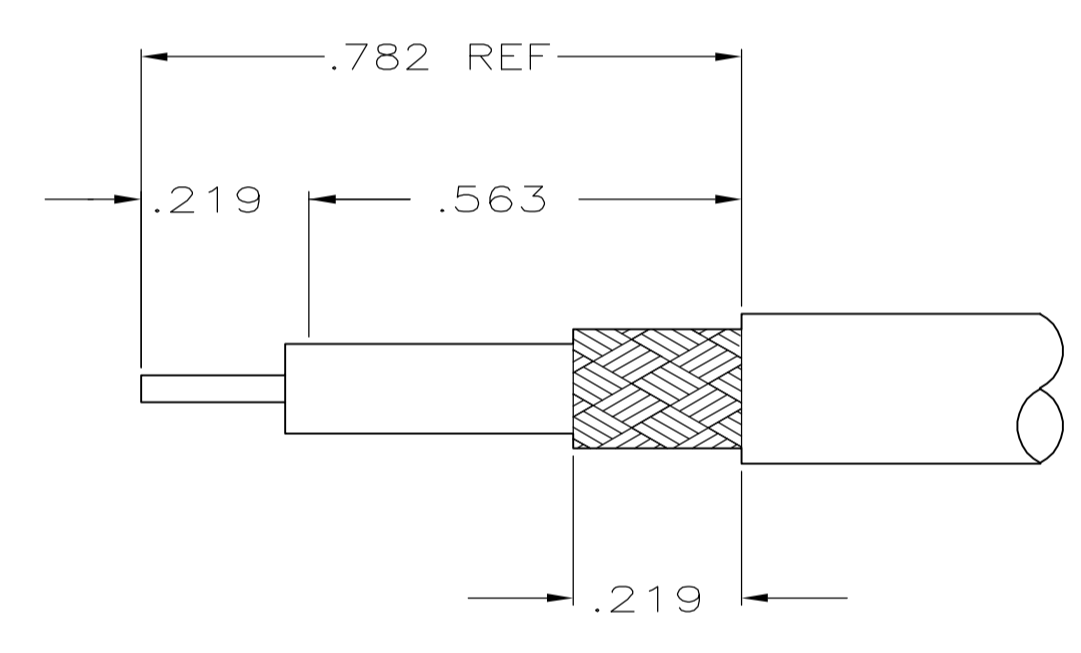
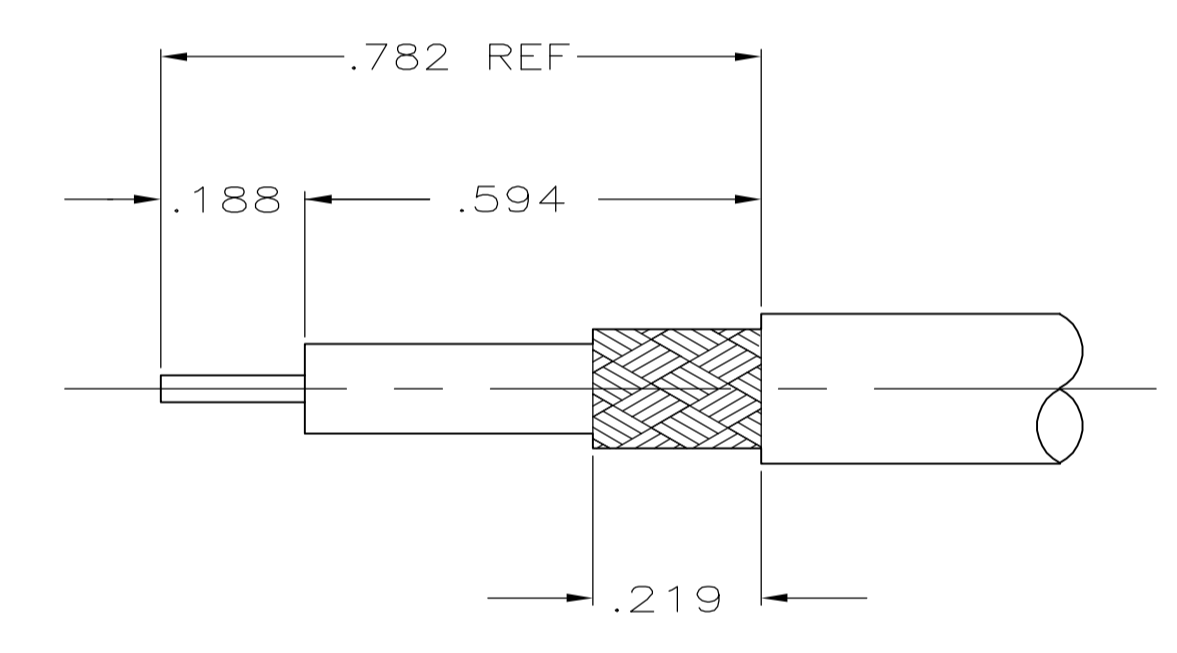
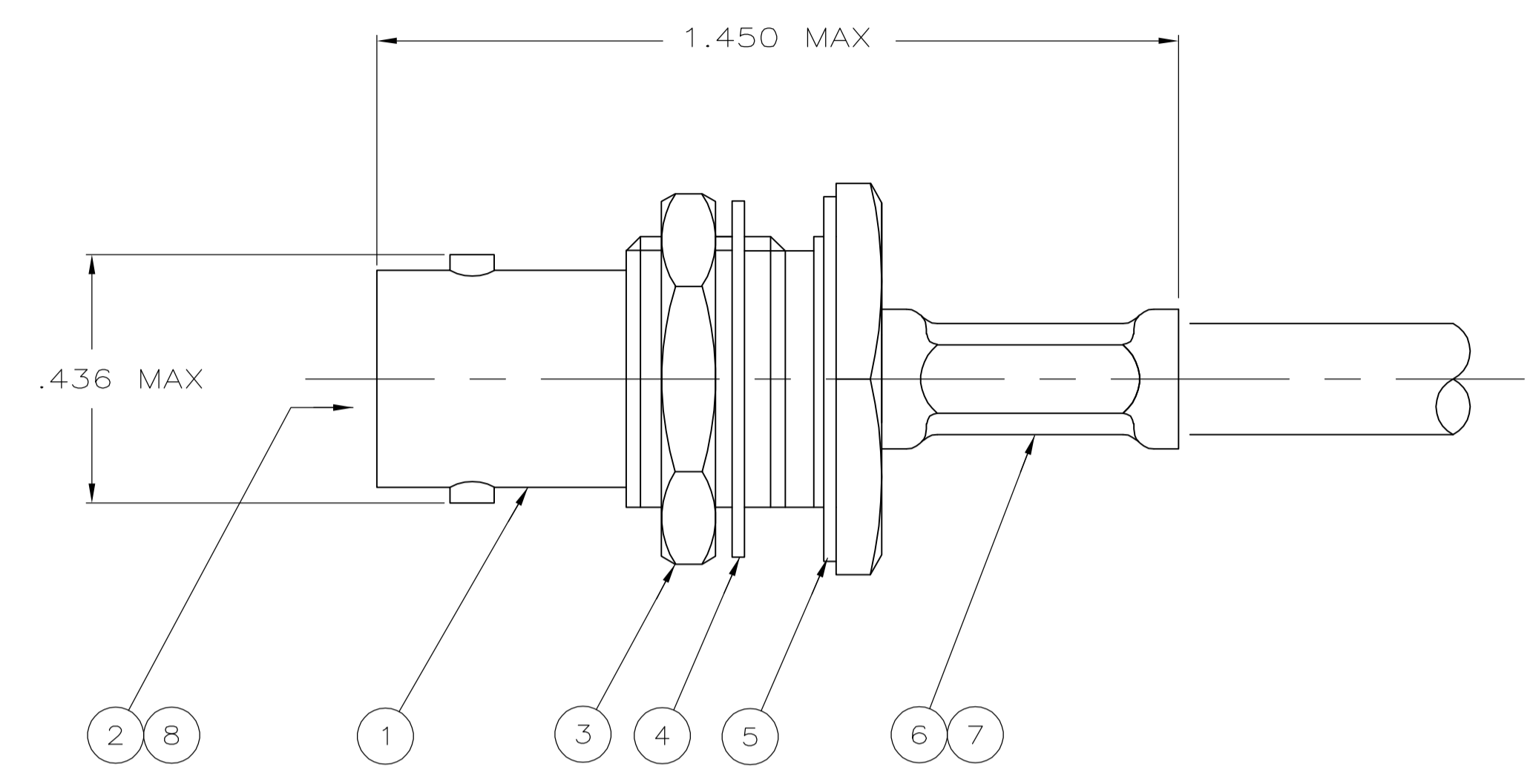
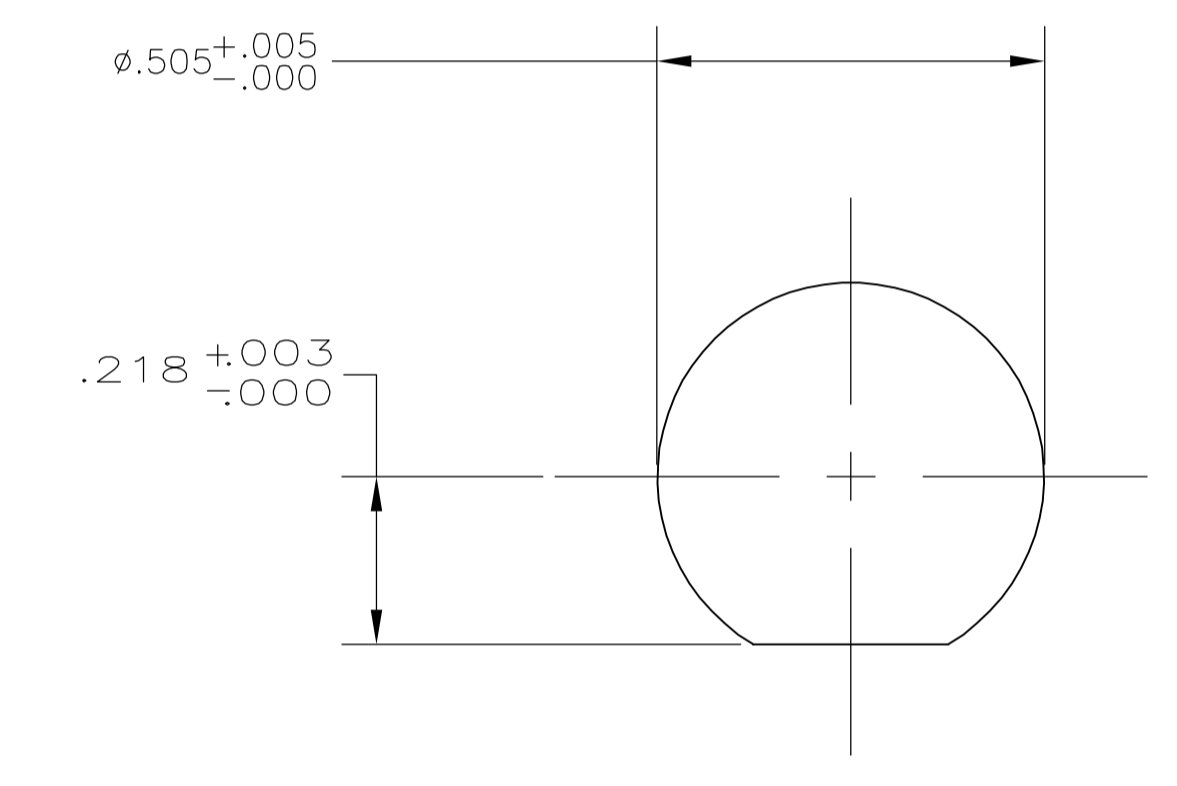


- ① USE WITH AMP HAND TOOL 220190-1
- ② CABLE USED WITHOUT SPACER.
- ③ CABLE USED WITH SPACER.
- 4. SEE I.S. SHEET 9780



VIEW A
VIEW B
RECOMMENDED STRIP LENGTH



SUGGESTED
PANEL CUTOUT

OBSOLETE	RG-58/U, 58A/U, 58B/U, 58C/U & BELDEN 88240	A	.068	.213	58465-1	-	-	9-221132-0	329633	1-329632-2	1-329631-2	413774-5	413772-1	9-413771-0	
OBSOLETE	BELDEN 89907, 9907 & RG-141	A	.068	.213	58465-1	-	-	9-221132-0	329633	1-329632-2	1-329631-2	2-413774-5	413772-1	413771-6	
OBSOLETE	RG-180 & RG-195	A	.068	.178	58465-3	-	-	9-413658-1	329633	1-329632-2	1-329631-2	2-413774-0	413772-3	413771-5	
OBSOLETE	RG-179 & RG-187	A	.068	.178	58465-3	-	227194-3	9-413658-0	329633	1-329632-2	1-329631-2	2-413774-0	413772-3	413771-4	
	RG-174, RG-188 & RG-316	A	.068	.178	58465-3	-	227194-3	9-413658-0	329633	1-329632-2	1-329631-2	1-413774-5	413772-3	413771-3	
OBSOLETE	RG-62/U, 62A/U, 62B/U	B	.068	.255	58465-1	227423-1	-	9-221132-1	329633	1-329632-2	1-329631-2	1-413774-0	413772-2	413771-2	
OBSOLETE	RG-59/U, 59A/U, 59B/U & BELDEN 88241	A	.068	.213	58465-1	-	-	9-221132-0	329633	1-329632-2	1-329631-2	413774-5	413772-1	413771-1	
OBSOLETE	RG-58/U, 58A/U, 58B/U, 58C/U & BELDEN 88240	A	.068	.213	58465-1	-	-	9-221132-0	329633	1-329632-2	1-329631-2	413774-5	413772-1	413771-1	
	FOR USE WITH CABLE	VIEW	CONTACT CRIMP (HEX)	FERRULE CRIMP (HEX)	DIE SET	①	⑧ SPACER QTY=1	⑦ TUBING QTY=1	⑥ FERRULE QTY=1	⑤ GASKET QTY=1	④ LOCKWASHER QTY=1	③ JAM NUT QTY=1	② CONTACT QTY=1	① JACK ASSEMBLY QTY=1	PART NUMBER

THIS DRAWING IS A CONTROLLED DOCUMENT.

DIMENSIONS: INCHES	TOLERANCES UNLESS OTHERWISE SPECIFIED:	DIN J. L. GROFT 6-14-90	Tyco Electronics Corporation Harrisburg, PA 17105-3608
0 PLC ± -	1 PLC ± -	7-2-90	
2 PLC ± -	3 PLC ± .016	APVD M. PHILLIPS 07-30-90	JACK, BULKHEAD, HEX CRIMP, COMMERCIAL BNC
4 PLC ± -	ANGLES ± -	PRODUCT SPEC	
MATERIAL	FINISH	APPLICATION SPEC	RESTRICTED TO
		WEIGHT	A1 00779 413771
		CUSTOMER DRAWING	SCALE 4:1 SHEET 1 OF 1 REV F2

X-ON Electronics

Largest Supplier of Electrical and Electronic Components

Click to view similar products for [RF Connectors / Coaxial Connectors](#) category:

Click to view products by [TE Connectivity](#) manufacturer:

Other Similar products are found below :

[R125315120](#) [8915-1511-000](#) [89674-0827](#) [5916-1103-603](#) [6-0001-3](#) [6001-7071-019](#) [6002-7051-003](#) [6002-7551-202](#) [6059674-1](#) [619550-1](#)
[630059-000](#) [M39012/25-0021](#) [M39012/79-3008](#) [M39030/3-01N](#) [M39030/3-03N](#) [M3933/25-36N](#) [6500-7071-046](#) [M83723/72W24576](#)
[M83723/72W2457N](#) [6769](#) [CX050L2AQ](#) [7002-1541-010](#) [7002-1572-002](#) [7003-1572-002](#) [7010-1511-000](#) [7029-1511-060](#) [7101-1541-010](#)
[7101-1571-002](#) [7105-1521-002](#) [7145-1521-002](#) [7209-1511-011](#) [7210-1511-015](#) [7210-1511-019](#) [7225-1512-050](#) [7242-1511-000](#) [73137-5015](#)
[73251-0111](#) [73251-0672](#) [7325-1512-000](#) [73276-1501](#) [73366-0013](#) [73404-2300](#) [73413-6080](#) [73415-5721](#) [7405-1521-005](#) [7405-1521-802](#)
[7406-1521-005](#) [804S01D04M040](#) [8145-1521-002](#) [81590](#)