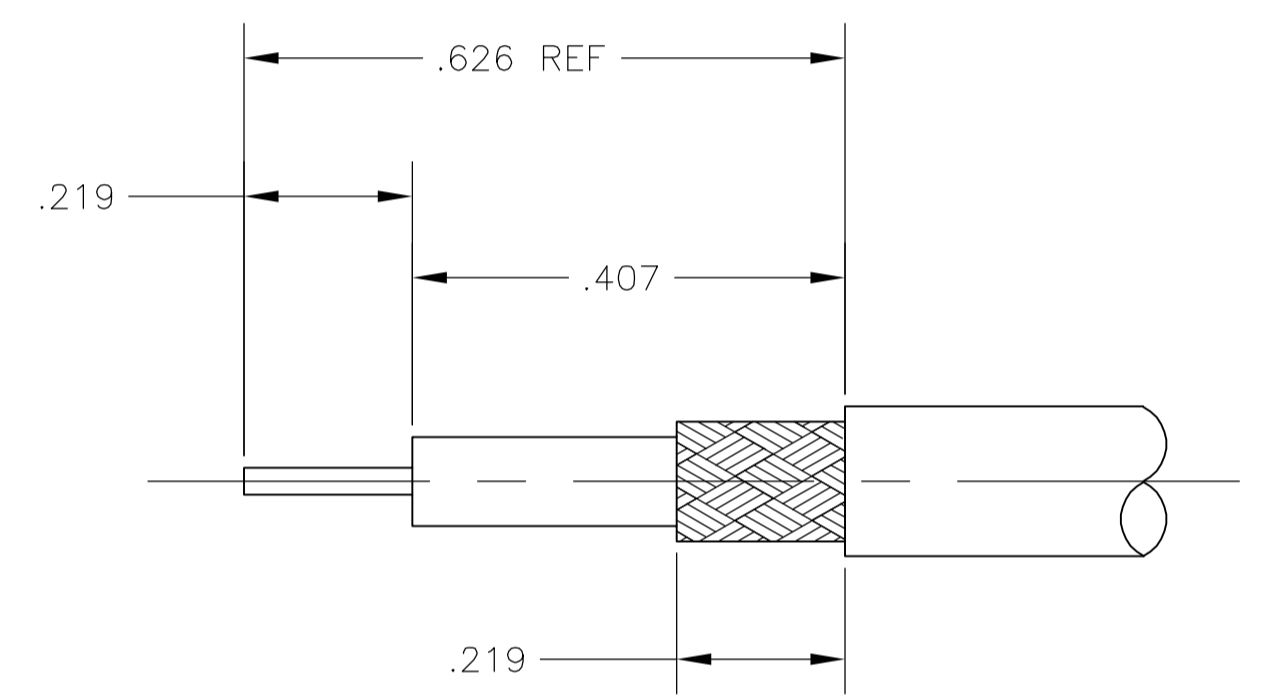
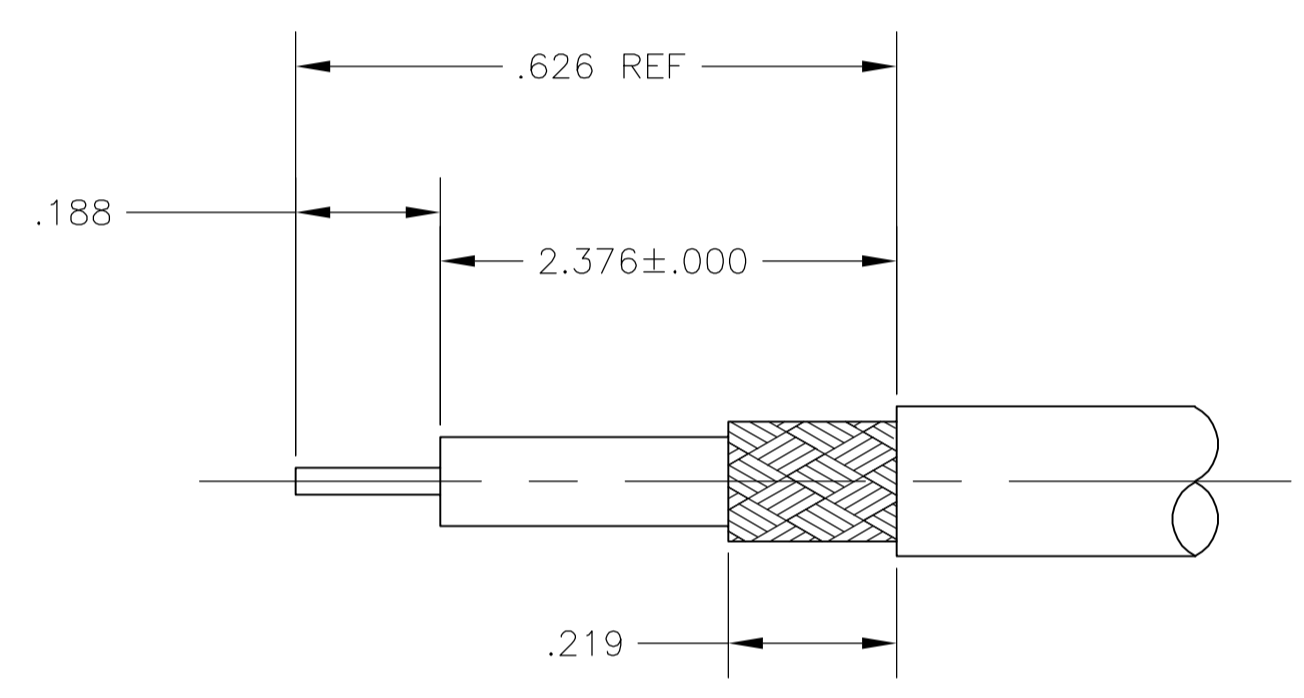
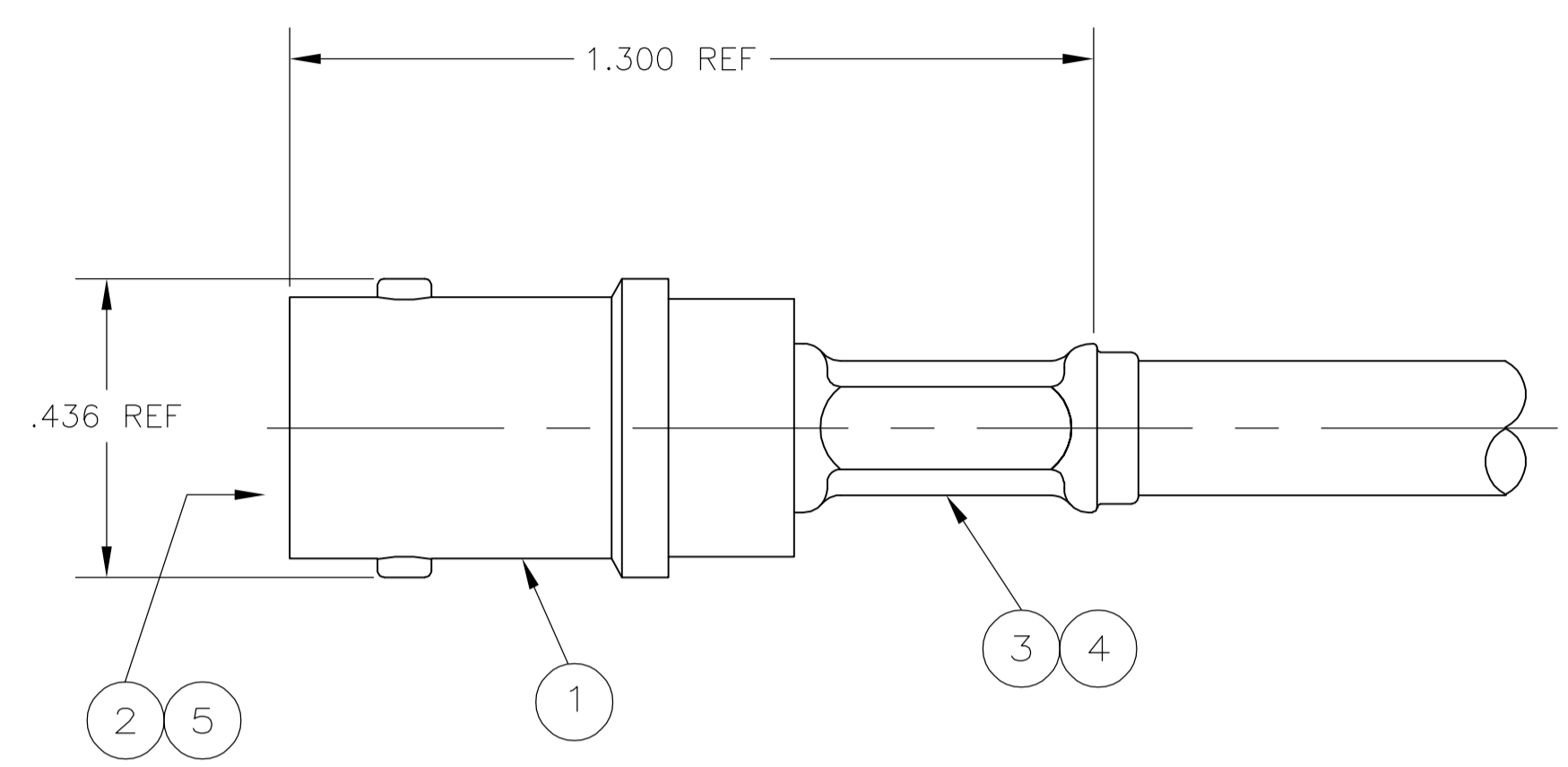


- ① USE WITH HAND TOOL 220190-1
- ② CABLE USED WITHOUT SPACER.
- ③ CABLE USED WITH SPACER.
- ④ BULK PACKAGE
- 5. SEE I.S. SHEET 9778



VIEW A

VIEW B

RECOMMENDED STRIP LENGTH

| | | | | | | | | | | | |
|------------|--|---|------|------|---------|----------|---------|------------|------------|----------|------------|
| OBSOLETE | BELDEN 89907, 9907 & RG-141 | A | .068 | .213 | 58465-3 | - | - | 9-221132-0 | 2-413774-5 | 413780-1 | 9-413779-1 |
| OBSOLETE | RG-174/U, 188/U & 316/U | B | .068 | .178 | 58465-3 | - | 21427-2 | 9-413658-0 | 1-413774-5 | 413780-3 | 9-413779-0 |
| OBSOLETE | BELDEN 89907, 9907 & RG-141 | A | .068 | .213 | 58465-3 | - | - | 9-221132-0 | 2-413774-5 | 413780-1 | 413779-6 |
| OBSOLETE | RG-180 & RG-195 | A | .068 | .178 | 58465-3 | - | - | 9-413658-1 | 2-413774-0 | 413780-3 | 413779-5 |
| OBSOLETE | RG-179U, 179A/U, 179B/U, 187/U & 187A/U | A | .068 | .178 | 58465-3 | - | 21427-2 | 9-413658-0 | 2-413774-0 | 413780-3 | 413779-4 |
| △ | RG-174/U, 188/U & 316/U | B | .068 | .178 | 58465-3 | - | 21427-2 | 9-413658-0 | 1-413774-5 | 413780-3 | 413779-3 |
| OBSOLETE △ | RG-59/U, 59A/U, 59B/U, 62/U, 62A/U, 62B/U & BELDEN 88241 | A | .068 | .255 | 58465-1 | 227423-1 | - | 9-221132-1 | 1-413774-0 | 413780-2 | 413779-2 |
| OBSOLETE | RG-58/U, 58A/U, 58B/U, 58C/U & BELDEN 88240 | A | .068 | .213 | 58465-1 | - | - | 9-221132-0 | 413774-5 | 413780-1 | 413779-1 |

| | | | | | | | | | | |
|--------------------|------|---------------------|---------------|---------|----------------|----------------|-----------------|-----------------|-----------------------|-------------|
| FOR USE WITH CABLE | VIEW | CONTACT CRIMP (HEX) | FERRULE CRIMP | DIE SET | ⑤ SPACER QTY=1 | ④ TUBING QTY=1 | ③ FERRULE QTY=1 | ② CONTACT QTY=1 | ① JACK ASSEMBLY QTY=1 | PART NUMBER |
|--------------------|------|---------------------|---------------|---------|----------------|----------------|-----------------|-----------------|-----------------------|-------------|

THIS DRAWING IS A CONTROLLED DOCUMENT.

| | | | |
|--------------------|--|--------------------------|---|
| DIMENSIONS: INCHES | TOLERANCES UNLESS OTHERWISE SPECIFIED: | DIN J. L. GROFT 06/18/90 | Tyco Electronics Corporation Harrisburg, PA 17105-3608 |
| 0 PLC ± .005 | 1 PLC ± .005 | 7-2-90 | |
| 2 PLC ± .005 | 3 PLC ± .005 | 7-3-90 | RESTRICTED TO |
| 4 PLC ± .005 | ANGLES ± .5° | | |
| MATERIAL FINISH | | SIZE | SCALE 4:1 |
| | | WEIGHT | SHEET 1 OF 1 |
| | | CUSTOMER DRAWING | REV G2 |

APPROVED: S. J. MAGARO
 PRODUCT SPEC: PHILLIPS
 APPLICATION SPEC: JACK, HEX CRIMP, COMMERCIAL BNC
 DRAWING NO: A1 00779
 DRAWING NO: 413779

X-ON Electronics

Largest Supplier of Electrical and Electronic Components

Click to view similar products for [RF Connectors](#) / [Coaxial Connectors](#) category:

Click to view products by [TE Connectivity](#) manufacturer:

Other Similar products are found below :

[R125315120](#) [8915-1511-000](#) [89674-0827](#) [5916-1103-603](#) [6-0001-3](#) [6001-7071-019](#) [6002-7051-003](#) [6002-7551-202](#) [6059674-1](#) [619550-1](#)
[630059-000](#) [M39012/25-0021](#) [M39012/79-3008](#) [M39030/3-01N](#) [M39030/3-03N](#) [M3933/25-36N](#) [6500-7071-046](#) [M83723/72W24576](#)
[M83723/72W2457N](#) [6769](#) [CX050L2AQ](#) [7002-1541-010](#) [7002-1572-002](#) [7003-1572-002](#) [7010-1511-000](#) [7029-1511-060](#) [7101-1541-010](#)
[7101-1571-002](#) [7105-1521-002](#) [7145-1521-002](#) [7209-1511-011](#) [7210-1511-015](#) [7210-1511-019](#) [7225-1512-050](#) [7242-1511-000](#) [73137-5015](#)
[73251-0111](#) [73251-0672](#) [7325-1512-000](#) [73276-1501](#) [73366-0013](#) [73404-2300](#) [73413-6080](#) [73415-5721](#) [7405-1521-005](#) [7405-1521-802](#)
[7406-1521-005](#) [804S01D04M040](#) [8145-1521-002](#) [81590](#)