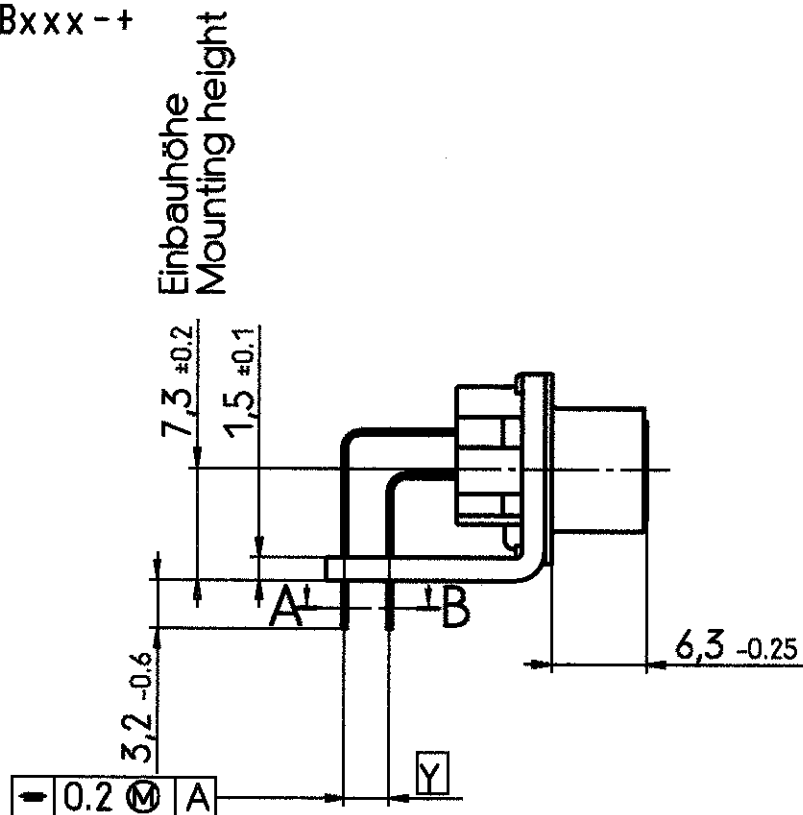
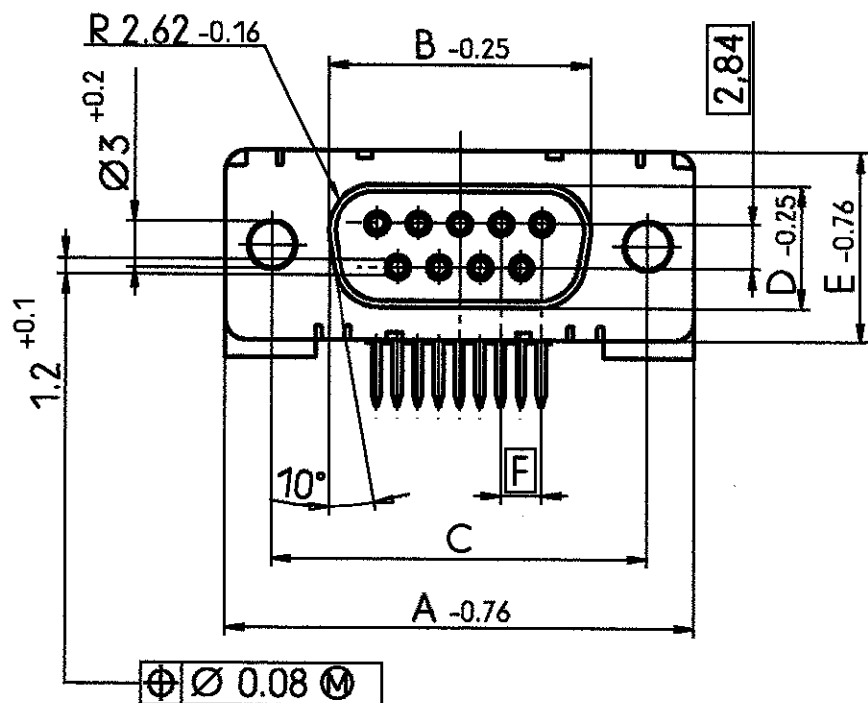
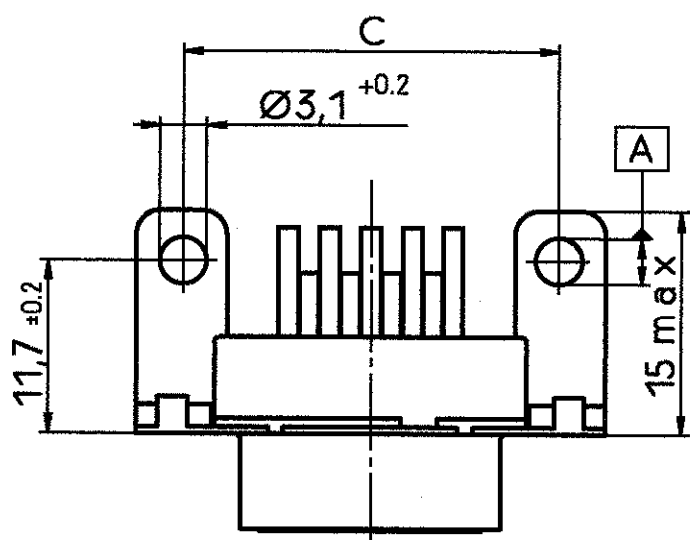
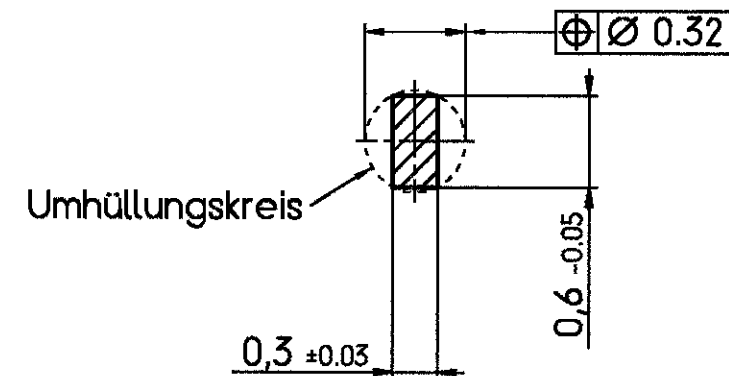


Standardausführung: V23529-A¹₂1x1-Bxxx-+
Standardversion



Schnitt AB des Lötanschlusses
Cross-section AB of solderpin
(20:1)



Sachnr/Ordernr V23529-	Y
Axx1x-Bxxx-+	2.84
Axx2x-Bxxx-+	2.54

Ordercode Sachnr	Contacts Polzahl	Mass/Dimension					
		A	B	C	D	E	F
..-Bx09-+	09	31.19	16.46	25.0 ^{+0.12} _{-0.13}	8.02	12.93	2.74
..-Bx15-+	15	39.52	24.79	33.3 ^{+0.15} _{-0.1}			2.74
..-Bx25-+	25	53.42	38.5	47.04 ^{+0.13} _{-0.13}			2.76
..-Bx37-+	37	69.7	54.96	63.5 ^{+0.13} _{-0.13}			2.76

Anforderungsstufe/Performance level ¹⁾

1) nach DIN 41652 T.2 und T.4
according to DIN 41652 p.2 and p.4

tyco		TYCO ELECTRONICS CORPORATION		SCALE 2:1 (20:1)		WEIGHT	
OOSTKAMP - BELGIUM		LOC GW		DIMENSIONS IN MM		MATERIAL	
DATE 10.10.88		NAME Loridan		DEP. PD COM		PART NAME Buchsenleiste-90° LötAusführung (Variant 2 und 3) ¹⁾ Socketconnector-90° solderversion (Type 2 and 3) ¹⁾	
B EH01-1464-03 04 DEC 03 JvdH		A WO00/7003 26.05.00 VS		08 WO97/2518 04.02.97 BTH		PART NO. V23529-A****-B***-*-7427	
07 WO96/2515 15.04.96 BTH		REV. CHANGE ORDER		DATE		APP. Customer Drawing Nr. C 1393478-4	
						SHT. 1+ OF 8	

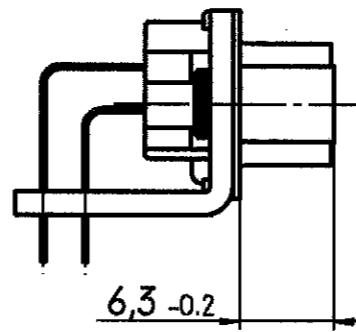
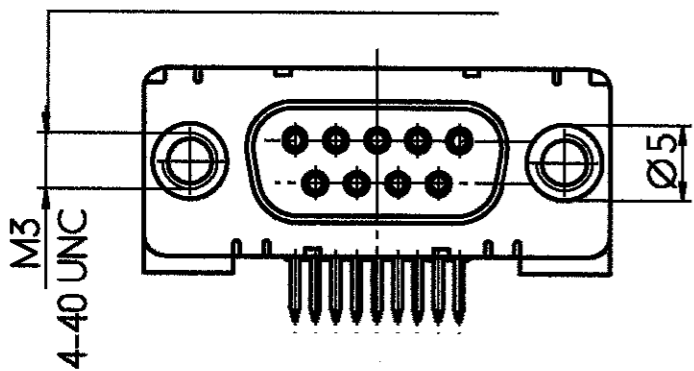
SUBSIDIARIES AND AFFILIATES. IT MAY NOT BE DISCLOSED TO ANYONE, OTHER THAN TYCO ELECTRONICS PERSONNEL, WITHOUT WRITTEN AUTHORIZATION FROM TYCO ELECTRONICS CORPORATION, HARRISBURG PENNSYLVANIA USA

SUBSIDIARIES AND AFFILIATES. IT MAY NOT BE DISCLOSED TO ANYONE, OTHER THAN TYCO ELECTRONICS PERSONNEL, WITHOUT WRITTEN AUTHORIZATION FROM TYCO ELECTRONICS CORPORATION, HARRISBURG PENNSYLVANIA USA

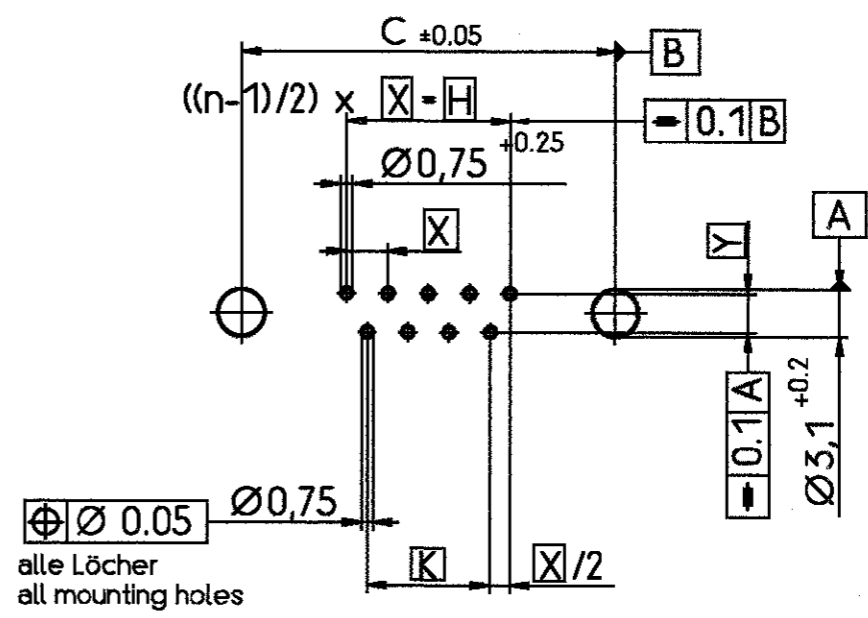
mit Gewindebolzen: M3 V23529-A₂¹xx4-Bxxx-+

with threadlock 4-40 UNC V23529-A₂¹xx5-Bxxx-+

Verdrehsicherheit ≥ 70 Ncm
torsionresistance



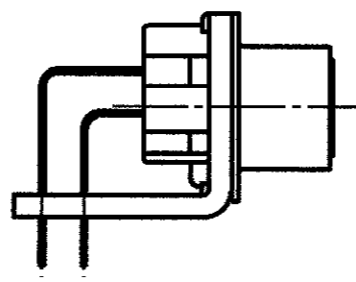
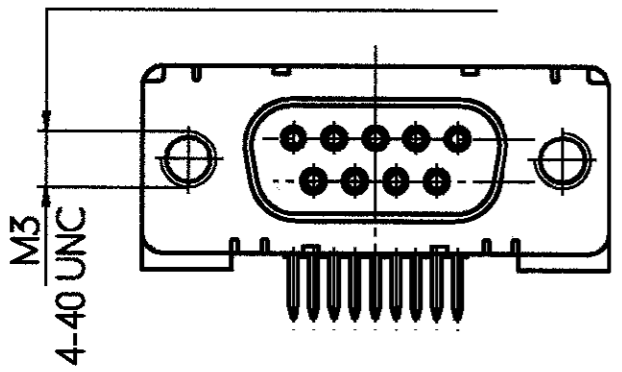
Leiterplattenbohrung
PCB hole pattern



mit Gewinde: M3 V23529-A₂¹xx2-Bxxx-+

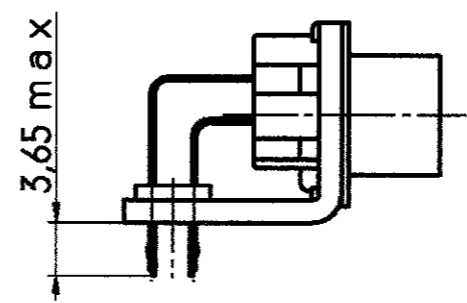
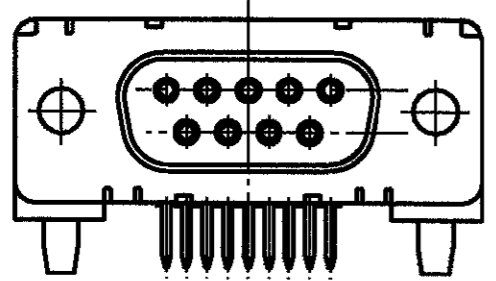
with thread 4-40 UNC V23529-A₂¹xx3-Bxxx-+

Verdrehsicherheit ≥ 70 Ncm
torsionresistance



Mass Dimension	Polzahl n Number of contacts n			
	9	15	25	37
C	25	33.3	47.04	63.5
H	10.96	19.18	33.12	49.68
K	8.22	16.44	30.36	46.92
X	2.74	2.74	2.76	2.76
Y	2.54 ^{oder} or 2.84			

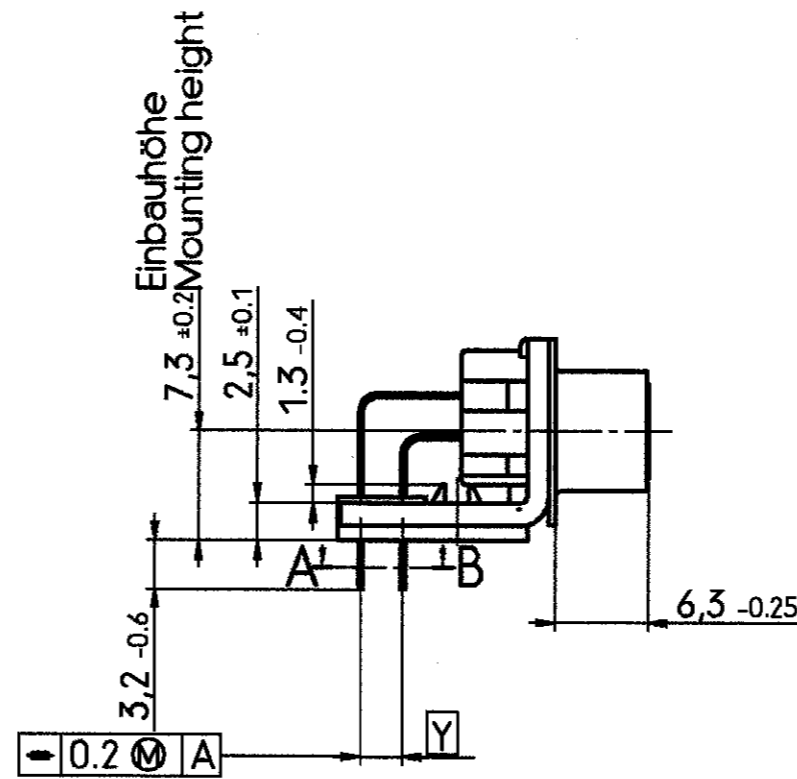
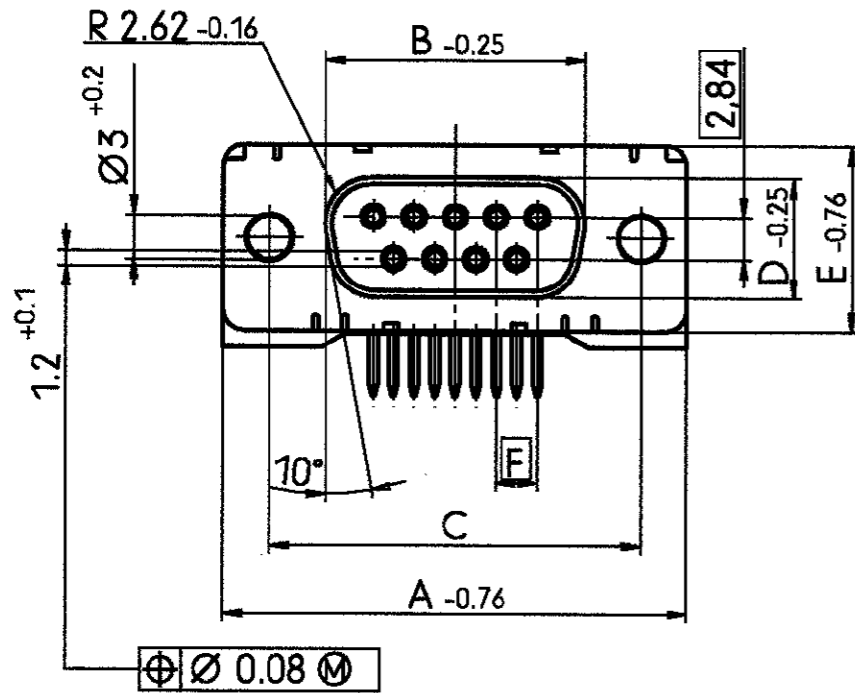
mit Clipbefestigung: V23529-A₂¹2xx-Bxxx-+
with snap-in



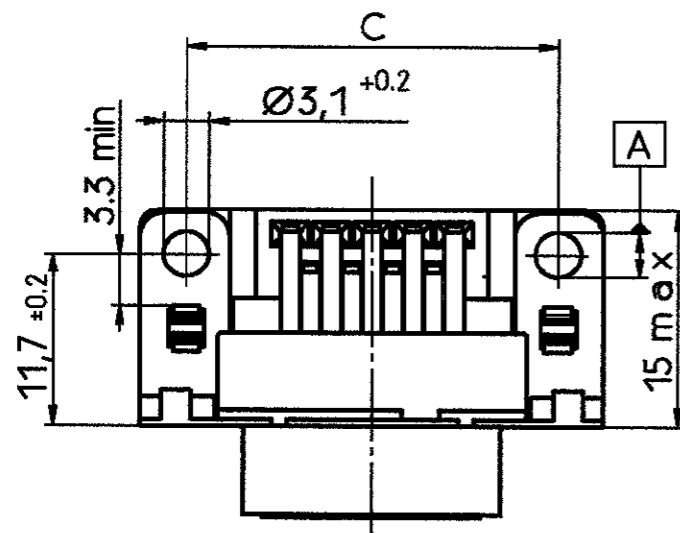
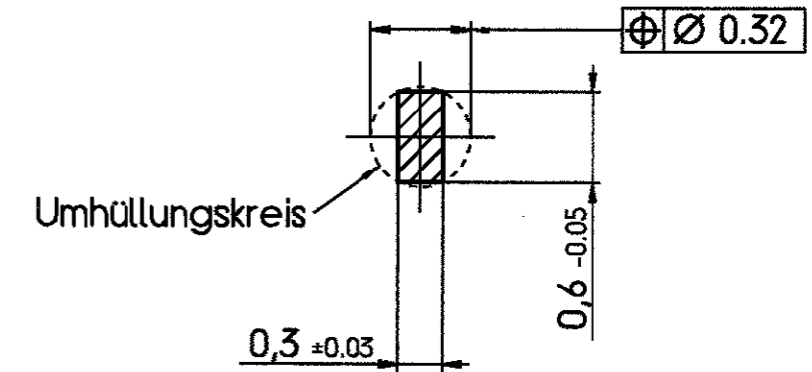
1) nach DIN 41652 T.2 und T.4
according to DIN 41652 p.2 and p.4

tyco TYCO ELECTRONICS CORPORATION		SCALE 2:1		WEIGHT
OOSTKAMP - BELGIUM		DIMENSIONS IN MM		MATERIAL
DATE	10.10.88	PART NAME		
NAME	Loridan	Buchsenleiste-90° LötAusführung		
DEP.	PD.COM	(Variant 2 und 3) ¹⁾		
B EH01-1464-03 04 DEC 03 vdh		Socketconnector-90° solderversion		
A WO 00/7003 26.05.00 VS		(Type 2 and 3) ¹⁾		
08 WO97/2518 04.02.97 BTH		PART NO.		SHT. 2+
07 WO96/2515 15.04.96 BTH		V23529-A****-B****-*-7427		OF 8
REV.	CHANGE ORDER	DATE	APP.	Customer Drawing Nr. C 1393478-4

Standardausführung isoliert: V23529-A³₄1x1-Bxxx-+
 Standardversion insulated



Schnitt AB des Lötanschlusses
 Cross-section AB of solderpin
 (20:1)



Sachnr./Ordernr V23529-	Y
Axx1x-Bxxx-+	2.84
Axx2x-Bxxx-+	2.54

Ordercode Sachnr	Contacts Polzahl	Mass/Dimension					
		A	B	C	D	E	F
...Bx09-+	09	31.19	16.46	25.0 ^{+0.12} _{-0.13}	8.02	12.93	2.74
...Bx15-+	15	39.52	24.79	33.3 ^{+0.15} _{-0.1}			2.74
...Bx25-+	25	53.42	38.5	47.04 ^{+0.13} _{-0.13}			2.76
...Bx37-+	37	69.7	54.96	63.5 ^{+0.13} _{-0.13}			2.76

Anforderungsstufe/Performance level¹⁾

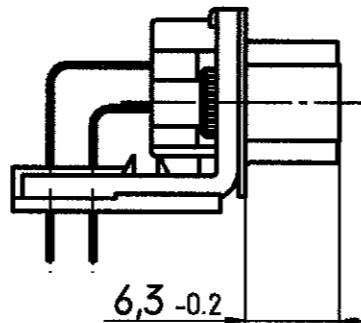
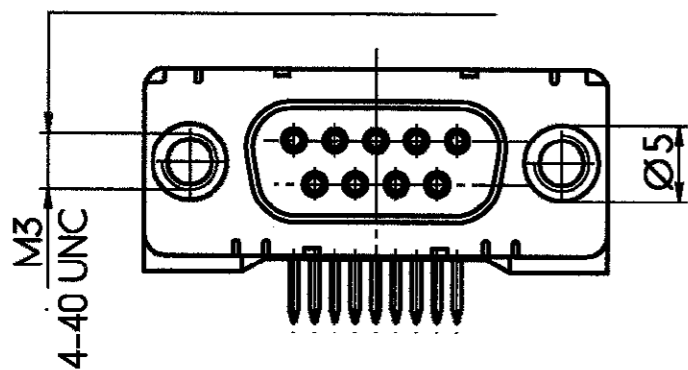
1) nach DIN 41652 T.2 und T.4
 according to DIN 41652 p.2 and p.4

tyco TYCO ELECTRONICS CORPORATION		SCALE 2:1 (20:1)		WEIGHT	
OOSTKAMP - BELGIUM		LOC DIMENSIONS IN MM		MATERIAL	
DATE 10.10.88		NAME Lorian		PART NAME	
DEP. PD COM		TOLERANCE UNLESS SPECIFIED OTHERWISE		Buchsenleiste-90° LötAusführung (Variant 2 und 3) ¹⁾ Socketconnector-90° solderversion (Type 2 and 3) ¹⁾	
B	EH01-1464-03	04 DEC 03	JvdH	PART NO.	
A	WO 00/7003	26.05.00	VS	V23529-A****-B***-*-7427	
08	WO97/2518	04.02.97	BTH	SHT. 3+	
07	WO96/2515	15.04.96	BTH	OF 8	
REV.	CHANGE ORDER	DATE	APP.	Customer Drawing Nr. C 1393478-4	

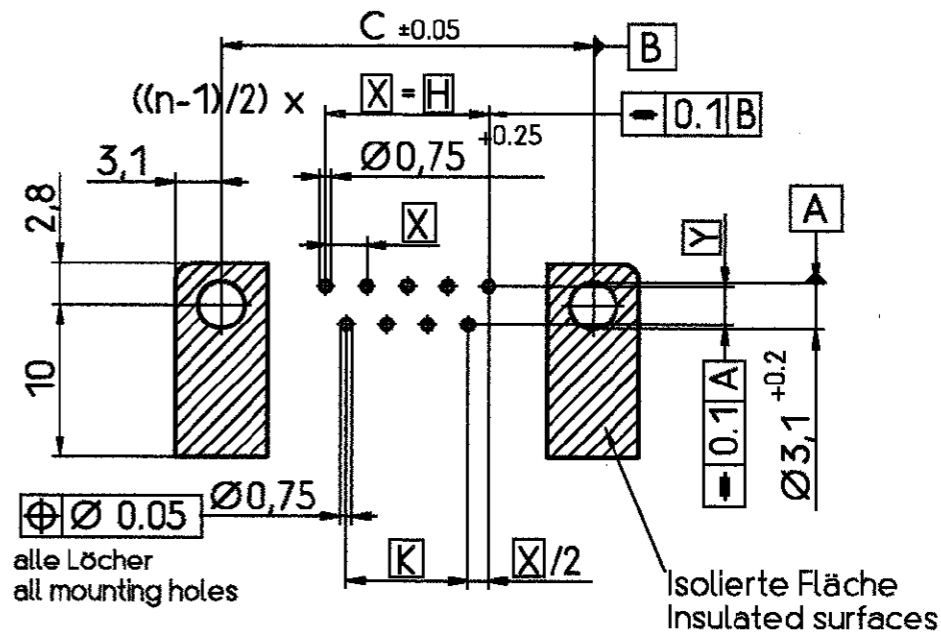
SUBSIDIARIES AND AFFILIATES. IT MAY NOT BE DISCLOSED TO ANYONE, OTHER THAN TYCO ELECTRONICS PERSONNEL, WITHOUT WRITTEN AUTHORIZATION FROM TYCO ELECTRONICS CORPORATION, HARRISBURG PENNSYLVANIA USA

mit Gewindebolzen: M3 V23529-A $\frac{3}{4}$ xx4-Bxxx-+
 with threadlock 4-40 UNC V23529-A $\frac{3}{4}$ xx5-Bxxx-+

Verdrehsicherheit \geq 70 Ncm
 torsionresistance

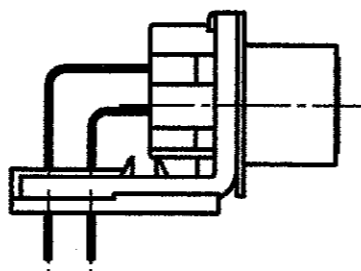
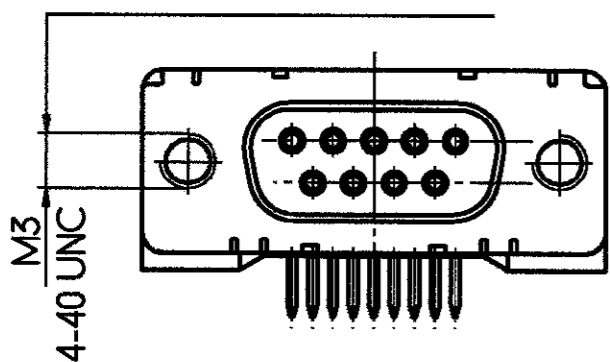


Leiterplattenbohrung
 PCB hole pattern



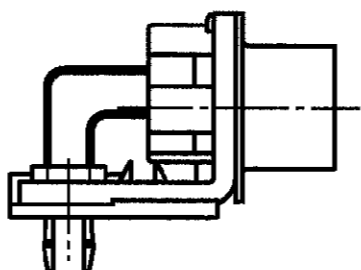
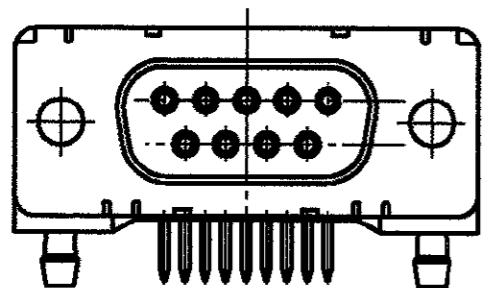
mit Gewinde: M3 V23529-A $\frac{3}{4}$ xx2-Bxxx-+
 with thread 4-40 UNC V23529-A $\frac{3}{4}$ xx3-Bxxx-+

Verdrehsicherheit \geq 70 Ncm
 torsionresistance



Mass Dimension	Polzahl n Number of contacts n			
	9	15	25	37
C	25	33.3	47.04	63.5
H	10.96	19.18	33.12	49.68
K	8.22	16.44	30.36	46.92
X	2.74	2.74	2.76	2.76
Y	2.54 ^{oder} or 2.84			

mit Clipbefestigung: V23529-A $\frac{3}{4}$ 2xx-Bxxx-+
 with snap-in

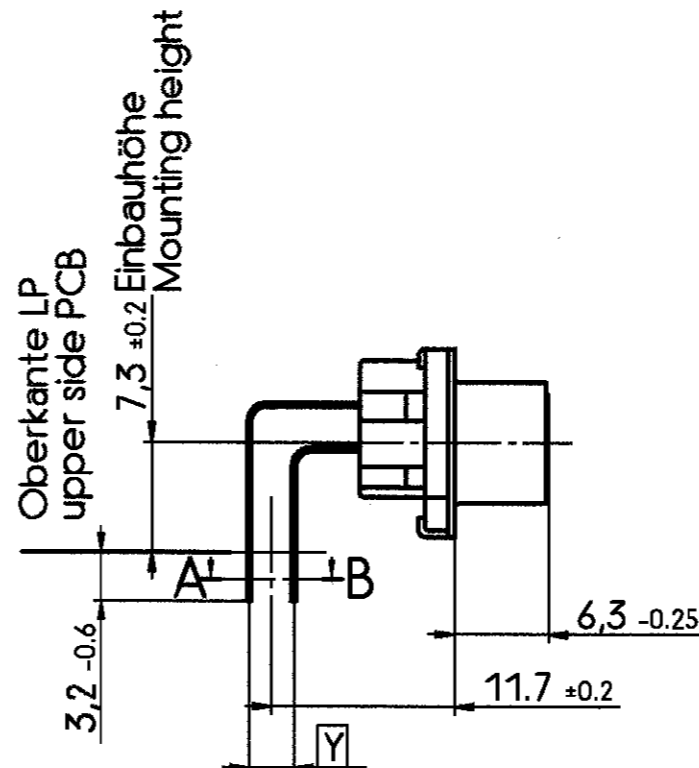
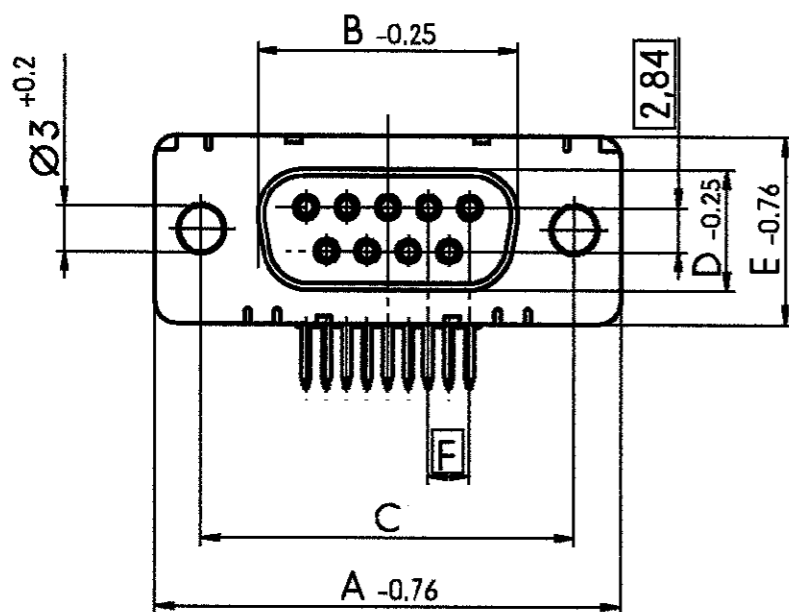


1) nach DIN 41652 T.2 und T.4
 according to DIN 41652 p.2 and p.4

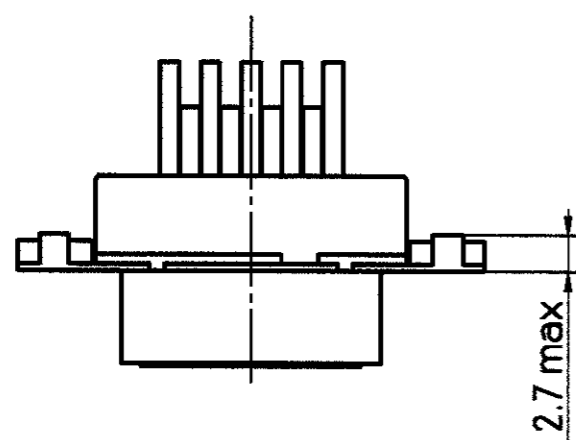
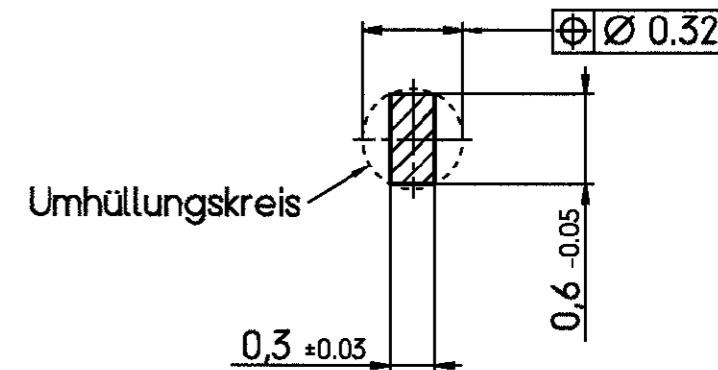
tyco TYCO ELECTRONICS CORPORATION		SCALE 2:1		WEIGHT
OOSTKAMP - BELGIUM		DIMENSIONS IN MM		MATERIAL
DATE 10.10.88		PART NAME		Buchsenleiste-90° Löt Ausführung (Variant 2 und 3) ¹⁾ Socketconnector-90° solder version (Type 2 and 3) ¹⁾
NAME Loriden		PART NO.		
DEP. PD.COM		SHT. 4+		
REV. B	CHANGE ORDER EHO1-1464-03	DATE 04 DEC 03	APP. JvdH	V23529-A****-B****-*-7427
A	WO 00/7003	26.05.00	VS	TOLERANCE UNLESS SPECIFIED OTHERWISE
08	WO97/2518	04.02.97	BTH	Customer Drawing Nr. C 1393478-4
07	WO96/2515	15.04.96	BTH	OF 8

SUBSIDIARIES AND AFFILIATES. IT MAY NOT BE DISCLOSED TO ANYONE, OTHER THAN TYCO ELECTRONICS PERSONNEL, WITHOUT WRITTEN AUTHORIZATION FROM TYCO ELECTRONICS CORPORATION, HARRISBURG PENNSYLVANIA USA

Standardausführung ohne Winkel: V23529-A50x1-Bxxx-+
 Standardversion without bracket



Schnitt AB des Lötanschlusses
 Cross-section AB of solderpin
 (20:1)



Sachnr/Ordernr V23529-	Y
A501x-Bxxx-+	2.84
A502x-Bxxx-+	2.54

Ordercode	Contacts	Mass/Dimension					
Sachnr	Polzahl	A	B	C	D	E	F
..-Bx09-+	09	31.19	16.46	25.0 ^{+0.12} _{-0.13}	8.02	12.93	2.74
..-Bx15-+	15	39.52	24.79	33.3 ^{+0.15} _{-0.1}			2.74
..-Bx25-+	25	53.42	38.5	47.04 ^{+0.13} _{-0.13}			2.76
..-Bx37-+	37	69.7	54.96	63.5 ^{+0.13} _{-0.13}			2.76

Anforderungsstufe/Performance level ¹⁾

1) nach DIN 41652 T.2 und T.4
 according to DIN 41652 p.2 and p.4

tyco TYCO ELECTRONICS CORPORATION		SCALE 2:1 (20:1)		WEIGHT	
OOSTKAMP - BELGIUM		DIMENSIONS IN MM		MATERIAL	
DATE 10.10.88		PART NAME		Buchsenleiste-90° LötAusführung	
NAME Loridan		PART NO.		V23529-A****-B****-*-7427	
DEP. PD.COM		TOLERANCE UNLESS SPECIFIED OTHERWISE		SH-IT. 5+	
REV. CHANGE ORDER DATE APP. Customer Drawing Nr. C 1393478-4		PART NAME		Socketconnector-90° solderversion (Type 2 and 3) ¹⁾	
B EH01-1464-03 04 DEC 03 JvdH		PART NO.		OF 8	
A WO 00/7003 26.05.00 VS		PART NO.		OF 8	
08 WO97/2518 04.02.97 BTH		PART NO.		OF 8	
07 WO96/2515 15.04.96 BTH		PART NO.		OF 8	

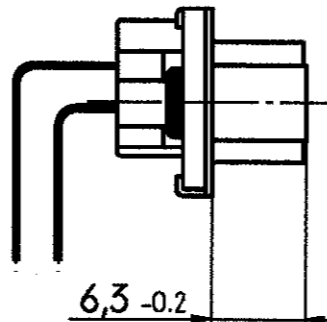
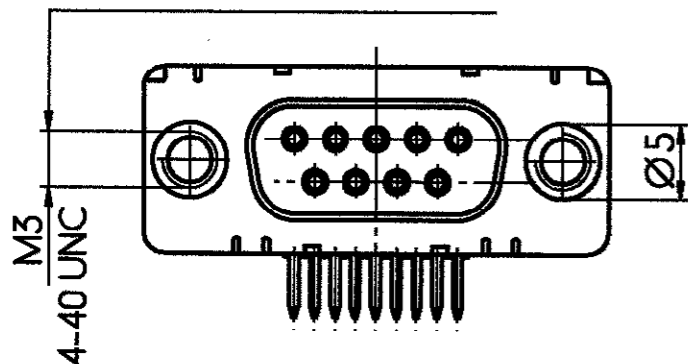
SUBSIDIARIES AND AFFILIATES. IT MAY NOT BE DISCLOSED TO ANYONE, OTHER THAN TYCO ELECTRONICS PERSONNEL, WITHOUT WRITTEN AUTHORIZATION FROM TYCO ELECTRONICS CORPORATION, HARRISBURG PENNSYLVANIA USA

SUBSIDIARIES AND AFFILIATES. IT MAY NOT BE DISCLOSED TO ANYONE, OTHER THAN TYCO ELECTRONICS PERSONNEL, WITHOUT WRITTEN AUTHORIZATION FROM TYCO ELECTRONICS CORPORATION, HARRISBURG PENNSYLVANIA USA

mit Gewindebolzen: M3 V23529-A50x4-Bxxx-+

with threadlock 4-40 UNC V23529-A50x5-Bxxx-+

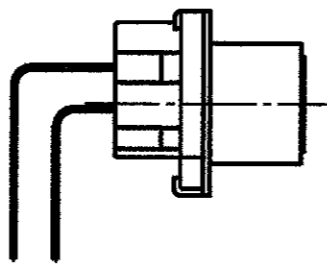
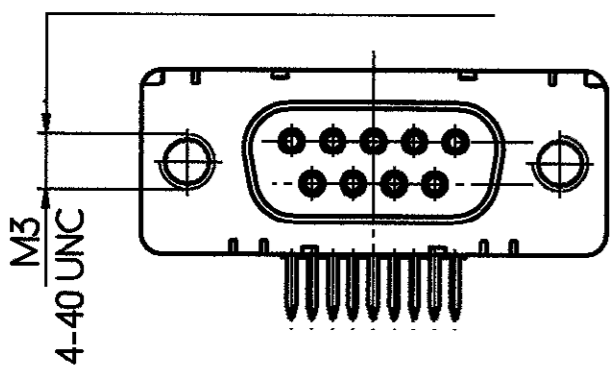
Verdrehsicherheit ≥ 70 Ncm
torsionresistance



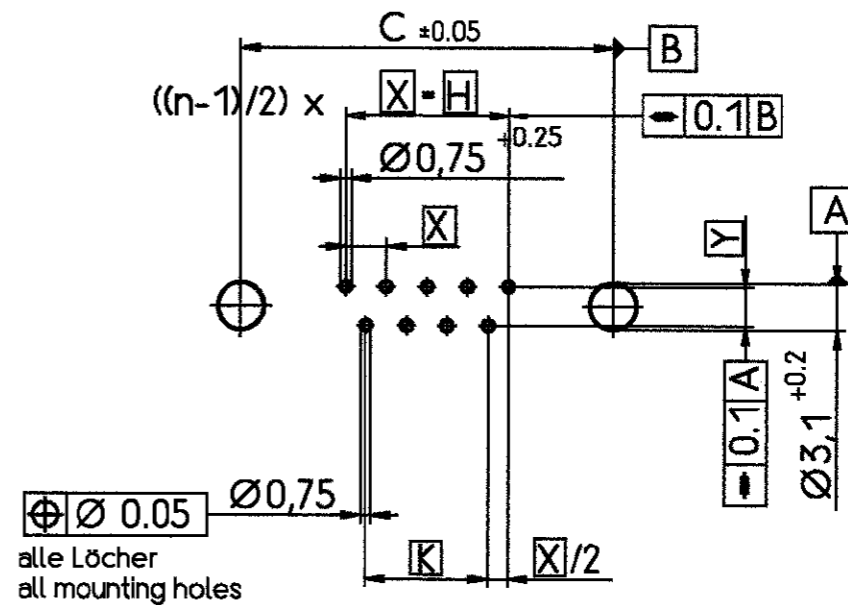
mit Gewinde: M3 V23529-A50x2-Bxxx-+

with thread 4-40 UNC V23529-A50x3-Bxxx-+

Verdrehsicherheit ≥ 70 Ncm
torsionresistance



Leiterplattenbohrung
PCB hole pattern



Mass Dimension	Polzahl n Number of contacts n			
	9	15	25	37
C	25	33.3	47.04	63.5
H	10.96	19.18	33.12	49.68
K	8.22	16.44	30.36	46.92
X	2.74	2.74	2.76	2.76
Y	2.54 ^{oder} or 2.84			

1) nach DIN 41652 T.2 und T.4
according to DIN 41652 p.2 and p.4

tyco TYCO ELECTRONICS CORPORATION		SCALE 2:1		WEIGHT
OOSTKAMP - BELGIUM		LOC GW	DIMENSIONS IN MM	
DATE 10.10.88		PART NAME		
NAME Loidan		Buchsenleiste-90° LötAusführung		
DEP. PD.COM		(Variant 2 und 3) ¹⁾		
B EHO1-1464-03 04 DEC 03 JvdH		Socketconnector-90° solderversion		
A WO 00/7003 26.05.00 VS		(Type 2 and 3) ¹⁾		
08 WO 97/2518 04.02.97 BTH		PART NO.		SHT. 6+
07 WO 96/2515 15.04.96 BTH		V23529-A****-B***-*-7427		OF 8
REV. CHANGE ORDER	DATE	APP.	Customer Drawing Nr. C 1393478-4	

V 2 3 5 2 9 - A * * * * - B * * * - +

Winkelausführung / Beschriftung

1	Metallwinkel / mit Hersteller-Beschriftung
2	Metallwinkel / ohne Beschriftung
3	Metallwinkel isoliert / mit Hersteller-Beschriftung
4	Metallwinkel isoliert / ohne Beschriftung
5	ohne Metallwinkel / mit Hersteller-Beschriftung

Leiterplattenbefestigung

0	ohne LP-Befestigung
1	Loch Ø3
2	mit Clip
3	mit Gewinde M3

SUFFIX

-(ohne)	Isolierteil grau RAL 7035
S	Isolierteil schwarz RAL 9005
H	Isolierteil schwarz RAL 9005 + Sonderbeschriftung H
T	Isolierteil schwarz hochtemperaturbeständig

Polzahl

09	9 polig
15	15 polig
25	25 polig
37	37 polig

Anschlußvarianten

1	Stiellänge 3,2 mm / Raster 2,84 x 2,76
2	Stiellänge 3,2 mm / Raster 2,54 x 2,76

Steckerbefestigung

1	Loch Ø3
2	Gewinde M3
3	Gewinde 4-40UNC
4	Gewindebolzen M3
5	Gewindebolzen 4-40UNC

Kontaktfläche / Anforderungsstufe

1	Au / Güte I
2	Au / Güte II

Steckerart

B	Buchsenleiste
---	---------------

1) nach DIN 41652 T.2 und T.4 according to DIN 41652 p.2 and p.4

tyco TYCO ELECTRONICS CORPORATION				SCALE	WEIGHT
Electronics OOSTKAMP - BELGIUM		LOC GW		MATERIAL	
DATE	10.10.88	DIMENSIONS IN MM		PART NAME	
NAME	Loridan			Buchsenleiste-90° LötAusführung	
DEP.	PD COM			(Variant 2 und 3) ¹⁾	
				Socketconnector-90° solderversion	
				(Type 2 and 3) ¹⁾	
				PART NO.	
				V23529-A****-B****-*-7427	
REV.	CHANGE ORDER	DATE	APP.	Customer Drawing Nr. C 1393478-4	
B	EH01-1464-03	04 DEC 03	JWH	SHT. 7+	
A	WO 00/7003	26.05.00	VS	OF 8	


SUBSIDIARIES AND AFFILIATES. IT MAY NOT BE DISCLOSED TO ANYONE, OTHER THAN TYCO ELECTRONICS PERSONNEL, WITHOUT WRITTEN AUTHORIZATION FROM TYCO ELECTRONICS CORPORATION, HARRISBURG PENNSYLVANIA USA

Active part numbers. Contact Tyco Electronics for other configuration availability

Old Part Number	Tyco Part Number	PRIMARY	SECONDARY
V23529-A1111-B209	1393478-4		
V23529-A1111-B215	1393478-5		
V23529-A1111-B225	1393478-6		
V23529-A1111-B237	1393478-7		
V23529-A1112-B215	1-1393478-7		
V23529-A1112-B225	1-1393478-8		
V23529-A1115-B209	2-1393478-5		
V23529-A1115-B215	2-1393478-6		
V23529-A1115-B225	2-1393478-7		
V23529-A1115-B237	2-1393478-8		
V23529-A1121-B209	3-1393478-8		
V23529-A1121-B215	3-1393478-9		
V23529-A1121-B225	4-1393478-0		
V23529-A1121-B237	4-1393478-1		
V23529-A1122-B109	4-1393478-8		
V23529-A1122-B115	4-1393478-9		
V23529-A1122-B209	5-1393478-0		
V23529-A1122-B215	5-1393478-1		
V23529-A1122-B225	5-1393478-2		
V23529-A1123-B209	5-1393478-8		
V23529-A1123-B215	5-1393478-9		
V23529-A1123-B225	6-1393478-0		
V23529-A1123-B237	6-1393478-1		
V23529-A1124-B109	6-1393478-9		
V23529-A1124-B225	7-1393478-2		
V23529-A1125-B125	7-1393478-7		
V23529-A1125-B209	7-1393478-8		
V23529-A1125-B225	7-1393478-9		
V23529-A1212-B209	8-1393478-9		
V23529-A1212-B215	9-1393478-0		
V23529-A1212-B225	9-1393478-1		
V23529-A1213-B215	9-1393478-5		
V23529-A1215-B209	1393479-1		
V23529-A1215-B225	1393479-3		
V23529-A1221-B209	1-1393479-0		
V23529-A1221-B215	1-1393479-1		
V23529-A1221-B225	1-1393479-2		
V23529-A1221-B237	1-1393479-3		
V23529-A1222-B109	2-1393479-3		
V23529-A1222-B115	2-1393479-4		
V23529-A3223-B225	1-1393480-0	SUPERSEDED	5-106507-2
V23529-A3212-B215	1393480-2	OBSOLETE	
V23529-A3213-B209	1393480-6	OBSOLETE	
V23529-A3111-B209	6-1393479-8	OBSOLETE	
V23529-A3111-B215	6-1393479-9	OBSOLETE	
V23529-A3121-B209	6-1393487-0	SUPERSEDED	7-106505-2
V23529-A3111-B225	7-1393479-0	OBSOLETE	
V23529-A3113-B209	7-1393479-3	OBSOLETE	
V23529-A3113-B225	7-1393479-5	OBSOLETE	
V23529-A3115-B209	8-1393479-2	OBSOLETE	
V23529-A3121-B209	8-1393479-4	SUPERSEDED	5-106505-2
V23529-A3121-B225	8-1393479-5	SUPERSEDED	5-106507-2
V23529-A3123-B225	9-1393479-6	SUPERSEDED	6-106507-2

Old Part Number	Tyco Part Number	PRIMARY	SECONDARY
V23529-A1222-B209	2-1393479-6		
V23529-A1222-B215	2-1393479-7		
V23529-A1222-B225	2-1393479-8		
V23529-A1222-B237	2-1393479-9		
V23529-A1223-B209	3-1393479-8		
V23529-A1223-B215	3-1393479-9		
V23529-A1223-B225	4-1393479-0		
V23529-A1223-B237	4-1393479-1		
V23529-A1224-B209	4-1393479-8		
V23529-A1224-B215	4-1393479-9		
V23529-A1224-B225	5-1393479-0		
V23529-A1224-B237	5-1393479-1		
V23529-A1225-B209	5-1393479-9		
V23529-A1225-B215	6-1393479-0		
V23529-A1225-B225	6-1393479-1		
V23529-A1225-B237	6-1393479-2		
V23529-A3113-B209	7-1393479-3	OBSOLETE	
V23529-A3113-B237	7-1393479-6	OBSOLETE	
V23529-A3121-B215	5-1393487-6	SUPERSEDED	5-106506-2
V23529-A3121-B237	5-1393487-7	SUPERSEDED	5-106508-2
V23529-A3122-B215	9-1393479-2	SUPERSEDED	7-106506-2
V23529-A3122-B225	9-1393479-3	SUPERSEDED	7-106507-2
V23529-A3122-B237	6-1393487-1	SUPERSEDED	7-106508-2
V23529-A3125-B209	6-1393487-5	SUPERSEDED	8-106505-2
V23529-A3125-B215	6-1393487-6	SUPERSEDED	8-106506-2
V23529-A3125-B225	6-1393487-7	SUPERSEDED	8-106507-2
V23529-A3125-B237	6-1393487-8	SUPERSEDED	8-106508-2
V23529-A3212-B225	1393480-3	OBSOLETE	
V23529-A3221-B209	7-1393487-3	SUPERSEDED	106505-2
V23529-A3221-B215	7-1393487-4	SUPERSEDED	106506-2
V23529-A3221-B225	7-1393487-5	SUPERSEDED	106507-2
V23529-A3221-B237	7-1393487-6	SUPERSEDED	106508-2
V23529-A3222-B209	8-1393487-1	SUPERSEDED	2-106505-2
V23529-A3222-B215	8-1393487-2	SUPERSEDED	2-106506-2
V23529-A3222-B225	8-1393487-3	SUPERSEDED	2-106507-2
V23529-A3222-B237	8-1393487-4	SUPERSEDED	2-106508-2
V23529-A3225-B209	1-1393480-2	SUPERSEDED	3-106505-2
V23529-A3225-B215	1-1393480-3	SUPERSEDED	3-106506-2
V23529-A3225-B225	8-1393487-8	SUPERSEDED	3-106507-2
V23529-A3225-B237	8-1393487-9	SUPERSEDED	3-106508-2

1) nach DIN 41652 T.2 und T.4
according to DIN 41652 p.2 and p.4

tyco Tyco Electronics Corporation				SCALE	WEIGHT
Oostkamp - Belgium		LOC	DIMENSIONS	MATERIAL	
Electronics		GW	IN MM	PART NAME	
DATE	10.10.88	TOLERANCE UNLESS SPECIFIED OTHERWISE		Buchsenleiste-90° Lötanschluss (Variant 2 und 3) ¹⁾	
NAME	Loridan	PART NO.		Socketconnector-90° solderversion (Type 2 and 3) ¹⁾	
DEP.	PD COM	SHT.		8-	
REV.	CHANGE ORDER	DATE	APP.	Customer Drawing Nr. C 1393478-4	
B	EH01-1464-03	04 DEC 03	JvdH	V23529-A****-B****-*-7427	
A	WO 00/7003	26.05.00	VS	OF 8	

THIS INFORMATION IS CONFIDENTIAL AND PROPRIETARY TO TYCO ELECTRONICS CORPORATION AND ITS WORLDWIDE SUBSIDIARIES AND AFFILIATES. IT MAY NOT BE DISCLOSED TO ANYONE, OTHER THAN TYCO ELECTRONICS PERSONNEL, WITHOUT WRITTEN AUTHORIZATION FROM TYCO ELECTRONICS CORPORATION, HARRISBURG, PENNSYLVANIA USA

PROPRIETARY

X-ON Electronics

Largest Supplier of Electrical and Electronic Components

Click to view similar products for [D-Sub Standard Connectors](#) category:

Click to view products by [TE Connectivity](#) manufacturer:

Other Similar products are found below :

[LV242999-142T12](#) [015-0341-000](#) [015-0349-000](#) [015-0350-000](#) [015-8544-011](#) [015-8755-001](#) [017041-0005](#) [020419-0104](#) [020745-0008](#) [609-25P](#) [609-9P](#) [M24308/2-23Z](#) [CT0-24-10SC](#) [CT0E22-14SC](#) [CT0F16S-1PS](#) [CT0F16S-1SC](#) [CT0FA22-1PS](#) [CT0FA22-1SS](#) [CT0M20-7PCAU](#) [CT0P14S-5SXS](#) [CT0P22-14PS](#) [CT0TA16-11SXCA232](#) [CT0U22-14PSA206F127](#) [CT1F22-14PC-G9](#) [CT1FC22-2PC](#) [CT1N22-22SS](#) [CT2-14S-2PCA34](#) [CT2-18-10PS-FMLB-D](#) [CT2-18-11PCAU](#) [CT2-22-19SC](#) [CT2-22-19SS-A206](#) [CT2-22-22PSA34](#) [CT2-24-28PSF127A206](#) [CT2-28-12SC](#) [CT2-28-12SCA232](#) [CT2-28-12SSA232](#) [CT6-10SL-3SC](#) [CT6-10SL-4SC](#) [CT6-14S-2SC](#) [CT6-16-12SC](#) [CT6-18-10PSA206](#) [CT6-18-10PSA232](#) [CT6-18-10SSF127A206](#) [CT6-20-15SSA232](#) [CT6-9767-18-8-18-4SS](#) [CT6A16S-5PC](#) [CT6E14S-5SC](#) [CT6E14SA7SC](#) [CT6E22-14PC](#) [CT6E22-14PS](#)