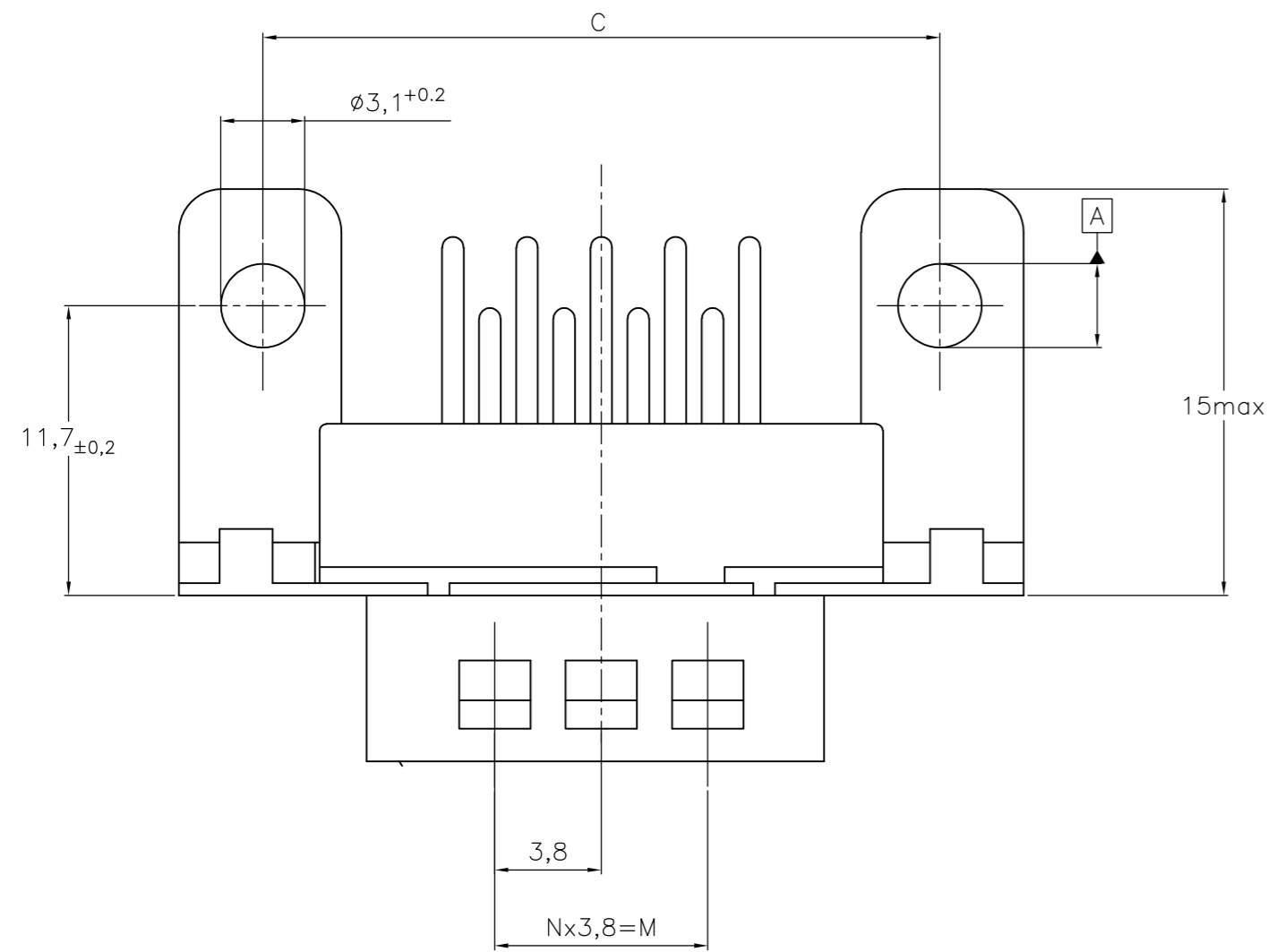
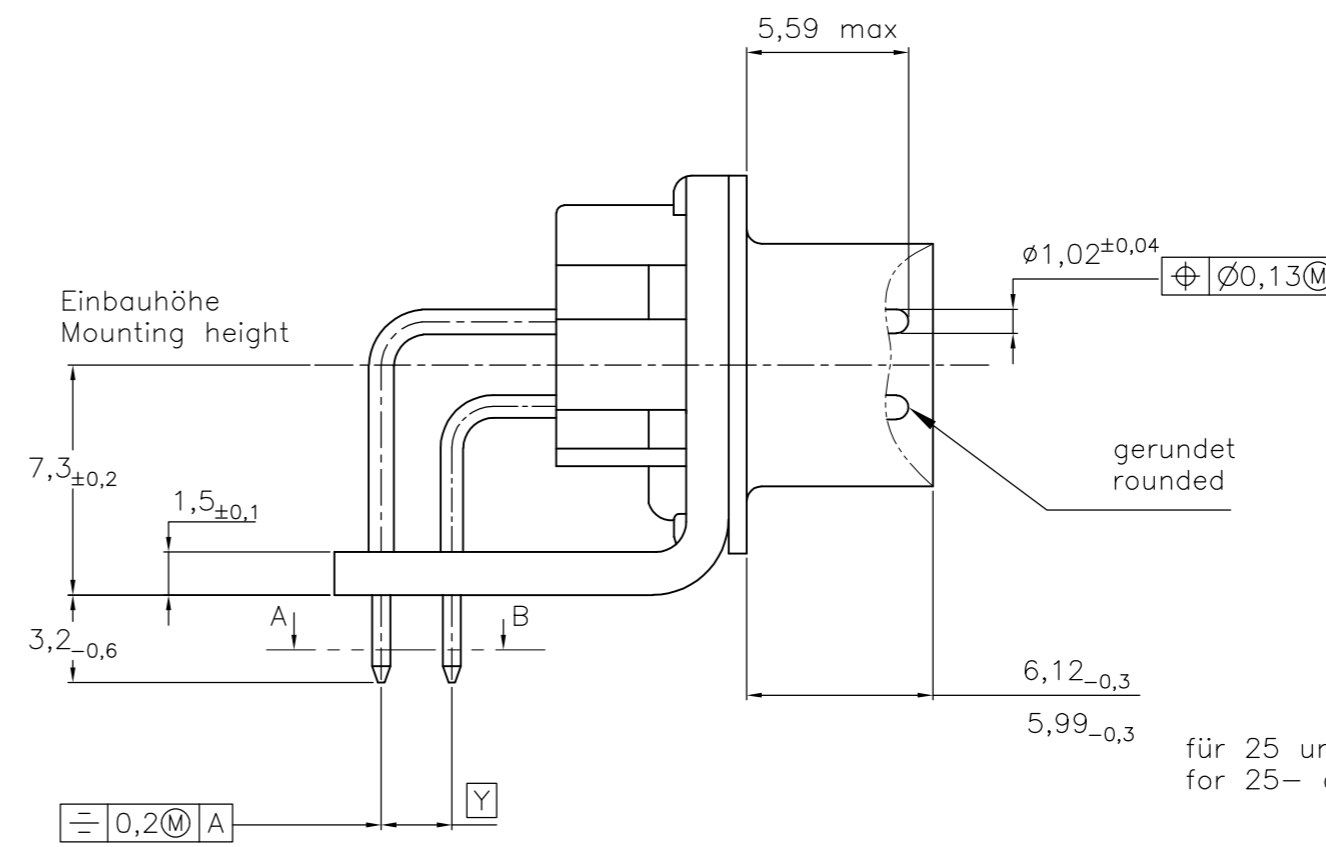
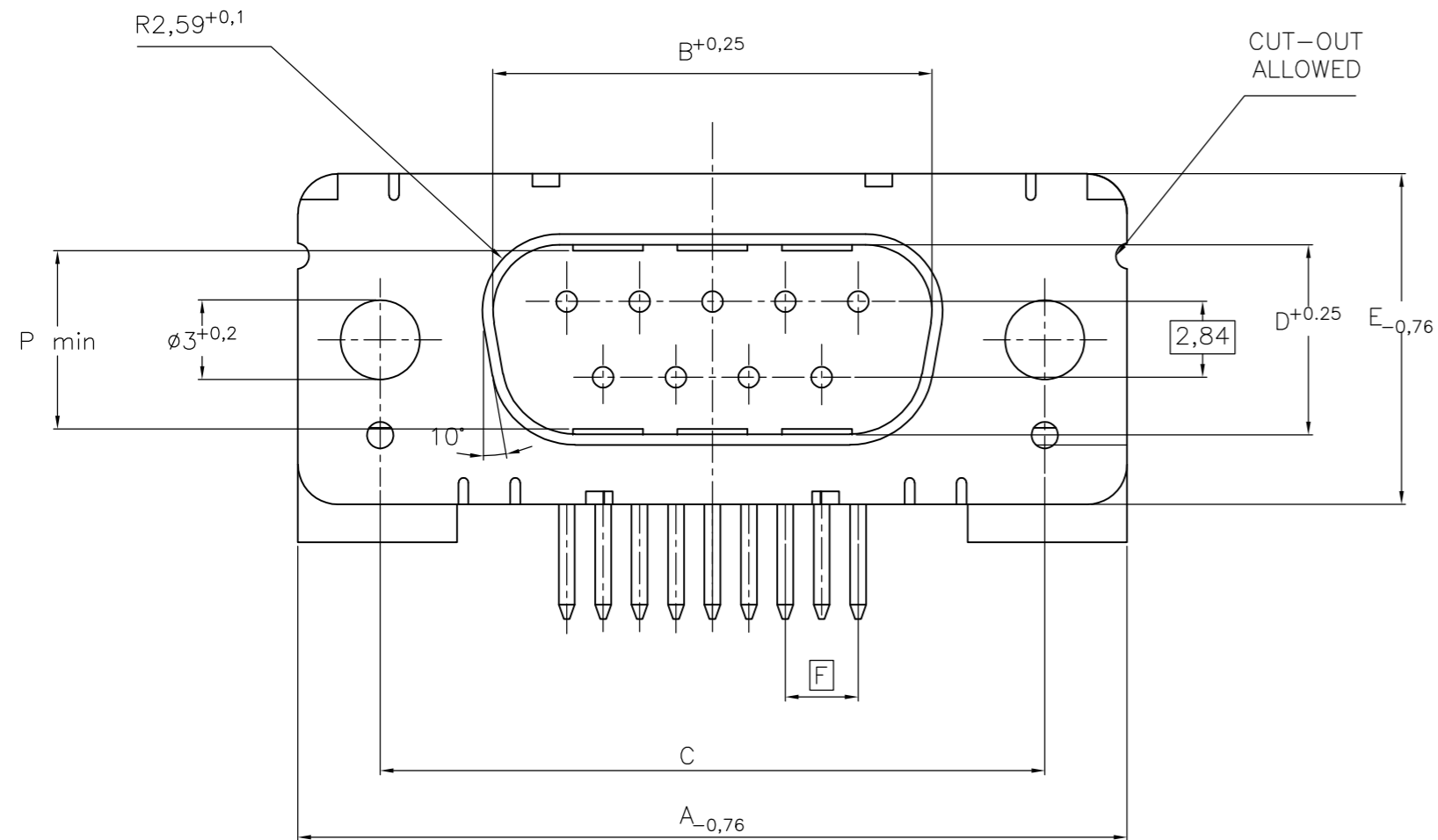


THIS DRAWING IS UNPUBLISHED. RELEASED FOR PUBLICATION
 © COPYRIGHT - By - ALL RIGHTS RESERVED.

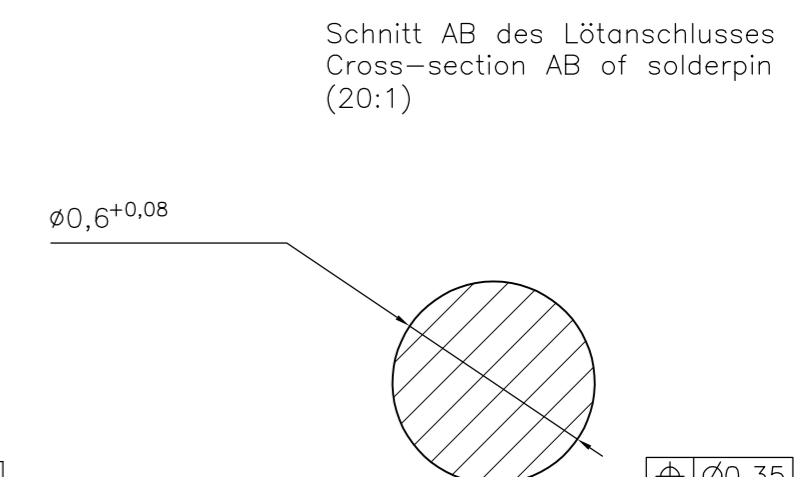
REVISIONS					
P	LTR	DESCRIPTION	DATE	DWN	APVD
H		REVISED PER ECO-16-005267	16NOV2016	AP	DG

Standardausführung: V23529-A₂1x1-Cxxx-+
 Standardversion



Ordercode Sachnr V23529-Axxxx	Contacts Polzahl	Mass/Dimension									
		A	B	C	D	E	F	M	N	P	
..-Cx09-+	09	31,19	16,79	25,0 +0,12 -0,13	8,23	12,93	2,74	7,6	2	7,72	
..-Cx15-+	15	39,52	25,12	33,3 +0,15 -0,1			2,74	15,2	4	7,69	
..-Cx25-+	25	53,42	38,84	47,04 +0,13 -0,13			2,76	26,6	7	7,65	
..-Cx37-+	37	69,7	55,30	63,5 +0,13 -0,13			2,76	41,8	11	7,65	

Anforderungsstufe/Performance level 1)



1) nach DIN 41652 T.2 und T.4
 according to DIN 41652 p.2 and p.4

Sachnr/Ordernr	Y
V23529-	
Axx1x-Cxxx-+	2,84
Axx2x-Cxxx-+	2,54

THIS DRAWING IS A CONTROLLED DOCUMENT. DIMENSIONING AND TOLERANCING PER ASME Y14.5M-2009

DWN: GNANI JADAV A E 07JAN10
 CHK: K.MALCZYK
 APVD: K.MALCZYK
 PRODUCT SPEC: -
 APPLICATION SPEC: -
 MATERIAL: -
 FINISH: -

WEIGHT: 0
 CUSTOMER DRAWING

TE Connectivity
 NAME: Stiftieiste-90° Lötanschluss (Variant 2 und 3)¹⁾
 Pinconnector-90° solderversion (Type 2 and 3)¹⁾

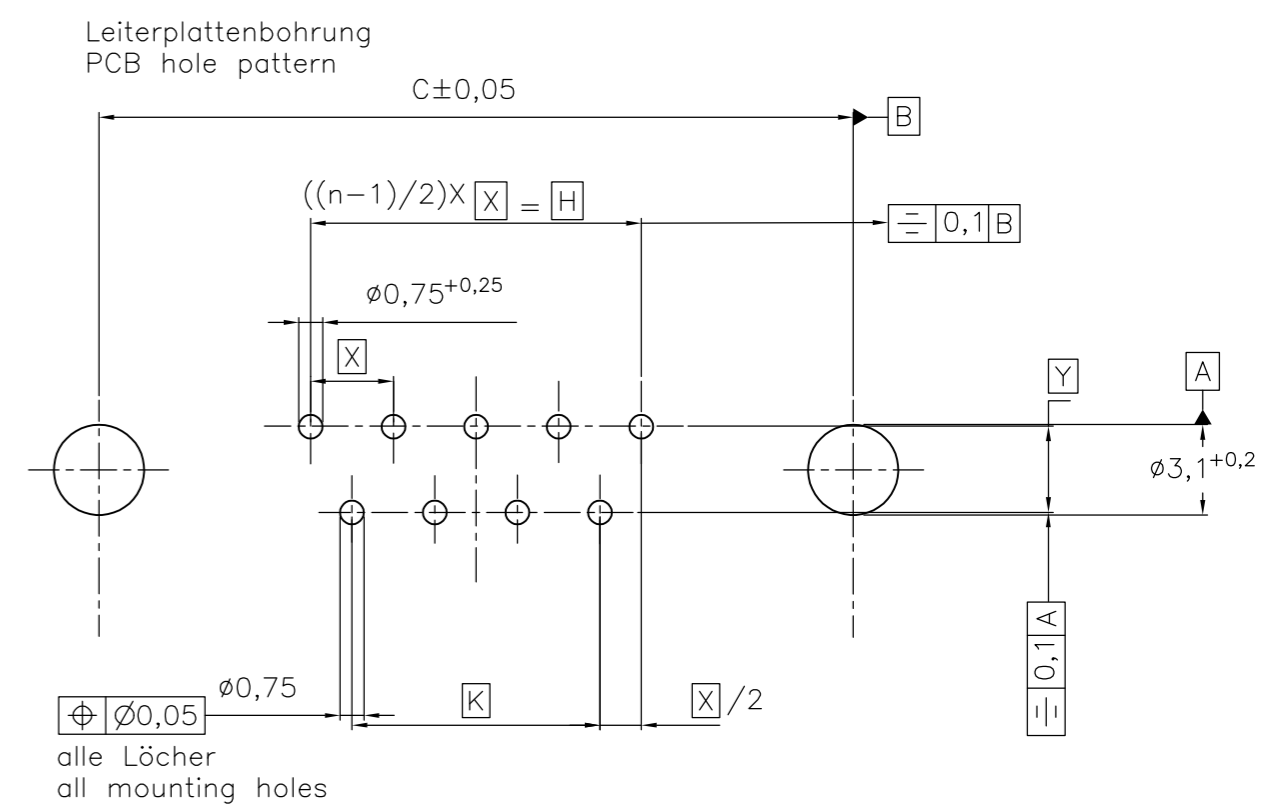
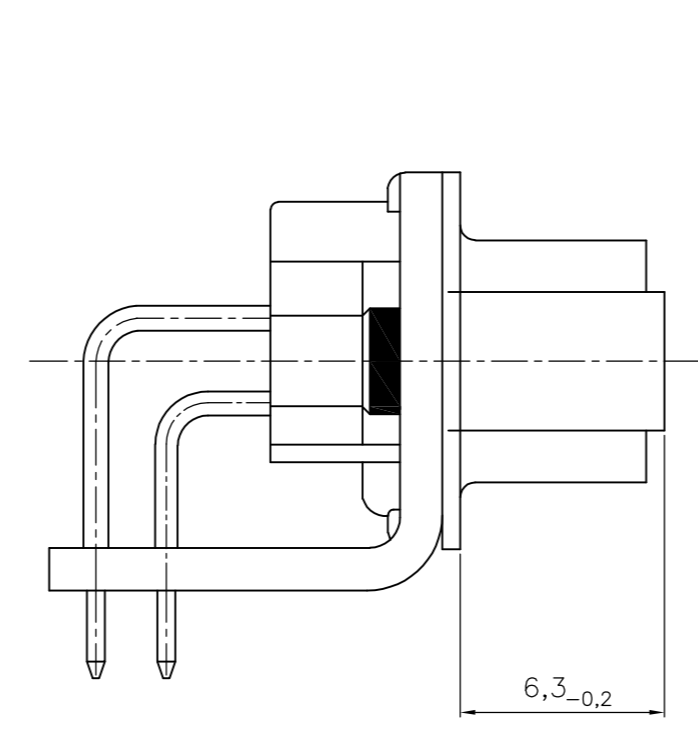
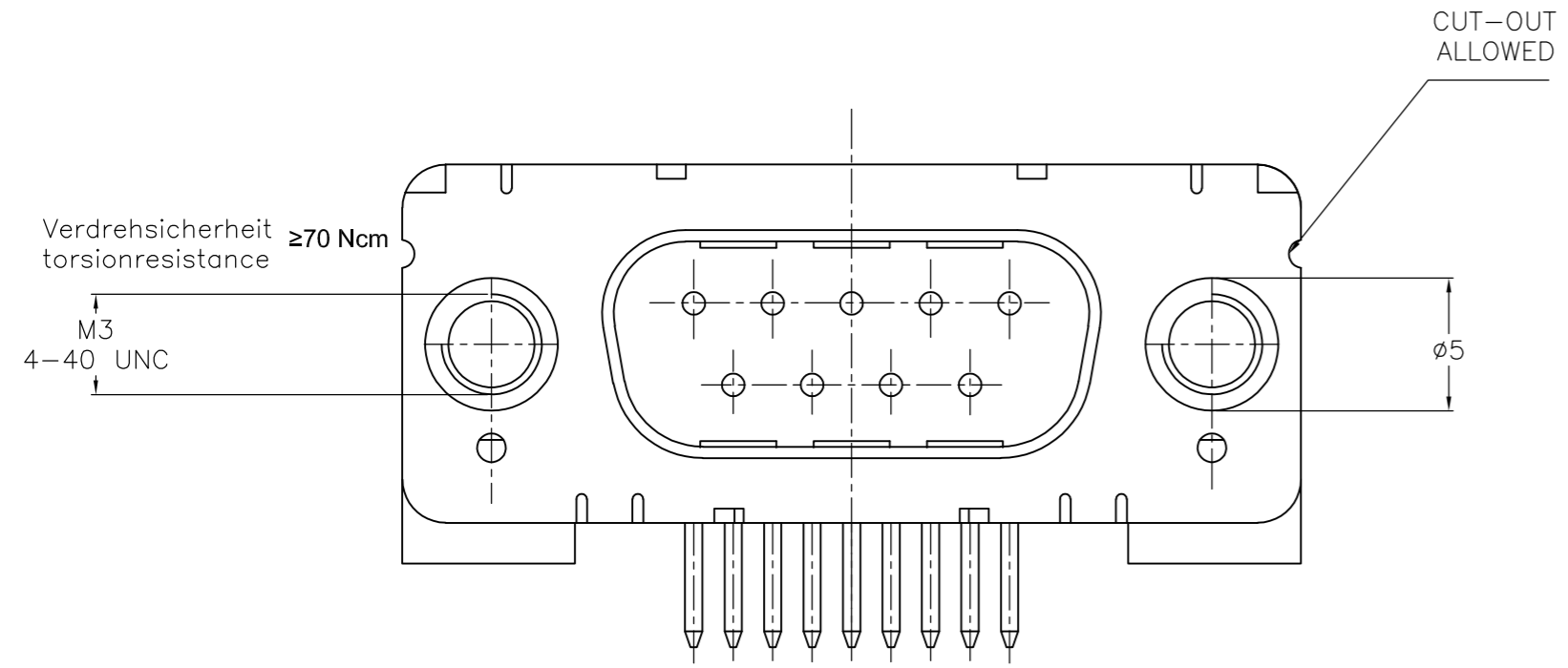
SIZE: A2
 CAGE CODE: 00779
 DRAWING NO: C=1393478-8
 RESTRICTED TO: -

SCALE: 2:1
 SHEET: 1 of 8
 REV: H

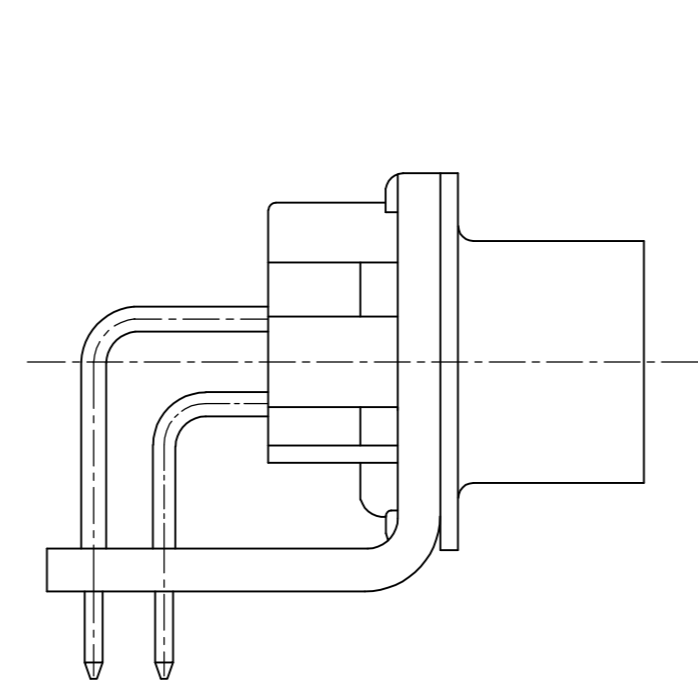
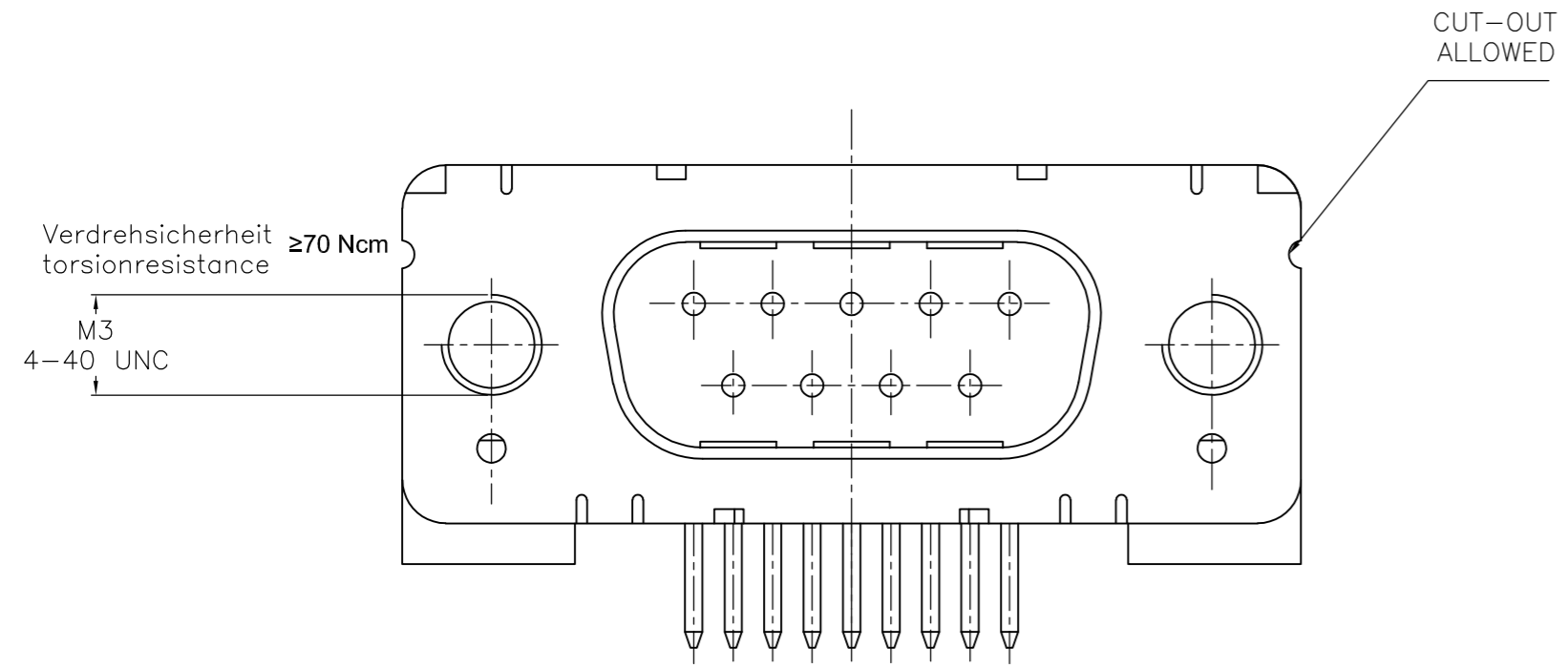
THIS DRAWING IS UNPUBLISHED. RELEASED FOR PUBLICATION
 © COPYRIGHT - By - ALL RIGHTS RESERVED.

REVISIONS				
P	LTR	DESCRIPTION	DATE	APVD
-	-	SEE SHEET 1	-	-

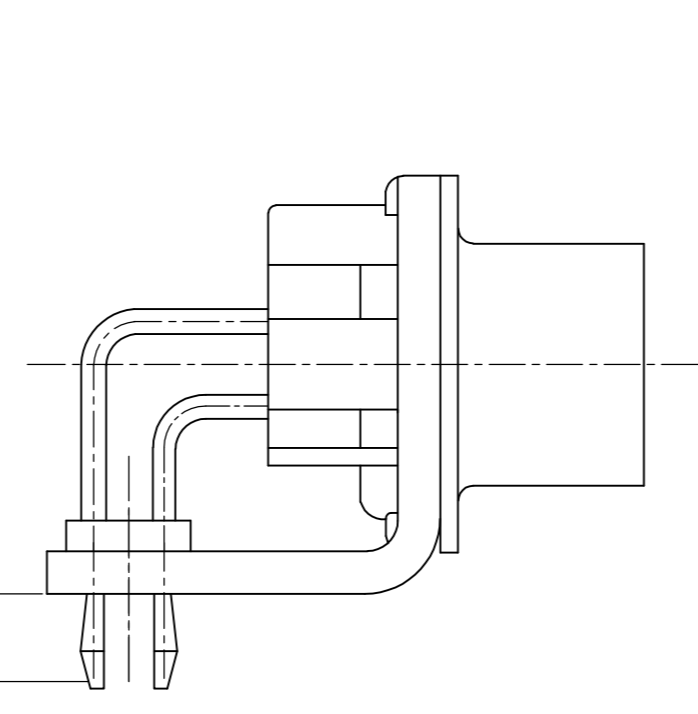
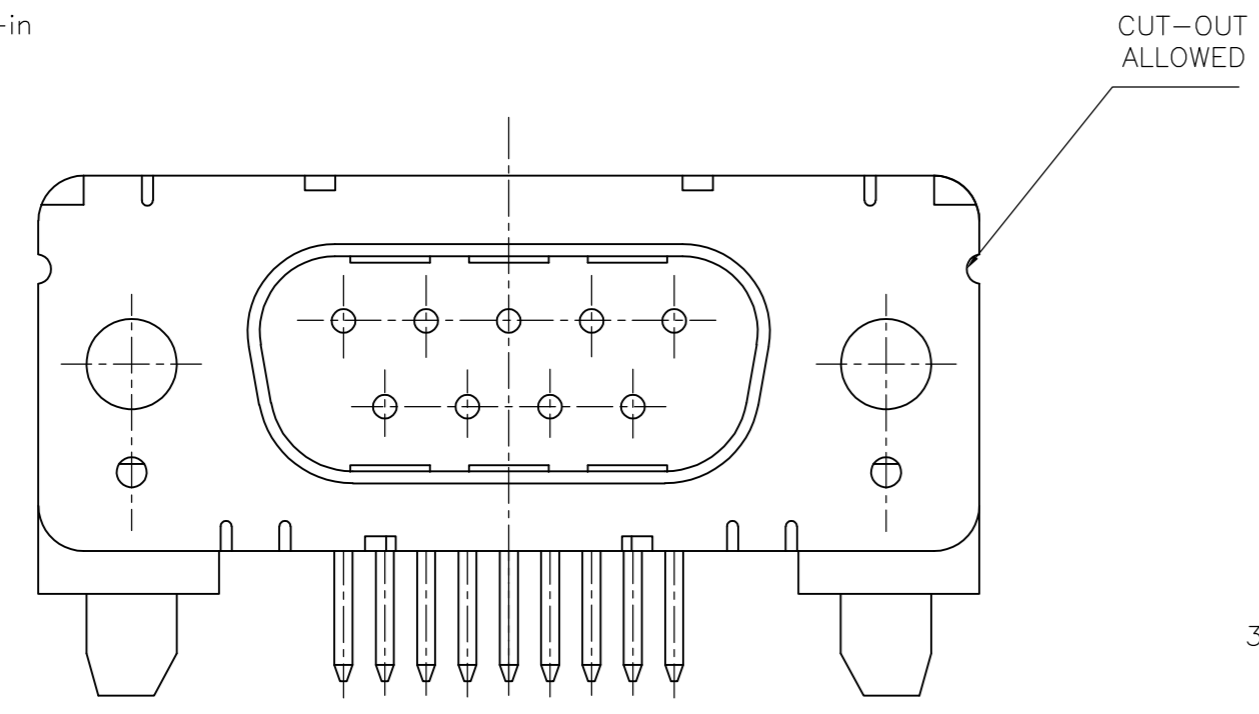
mit Gewindebolzen: M3 V23529-A₁xx4-Cxxx-+
 with thread lock 4-40 UNC V23529-A₂xx5-Cxxx-+



mit Gewinde: M3 V23529-A₁xx2-Cxxx-+
 with thread 4-40 UNC V23529-A₂xx3-Cxxx-+



mit Clipbefestigung: V23529-A₁2xx-Cxxx-+
 with snap-in



Mass Dimension	Polzahl n Number of contacts n			
	9	15	25	37
C	25	33,3	47,04	63,5
H	10,96	19,18	33,12	49,68
K	8,22	16,44	30,36	46,92
X	2,74	2,74	2,76	2,76
Y	2,54 ^{ger} 2,84			

1) nach DIN 41652 T,2 UND T,4
 according to DIN 41652 p,2 AND p,4

OLD PN: V23529-A****-C***-*-7427

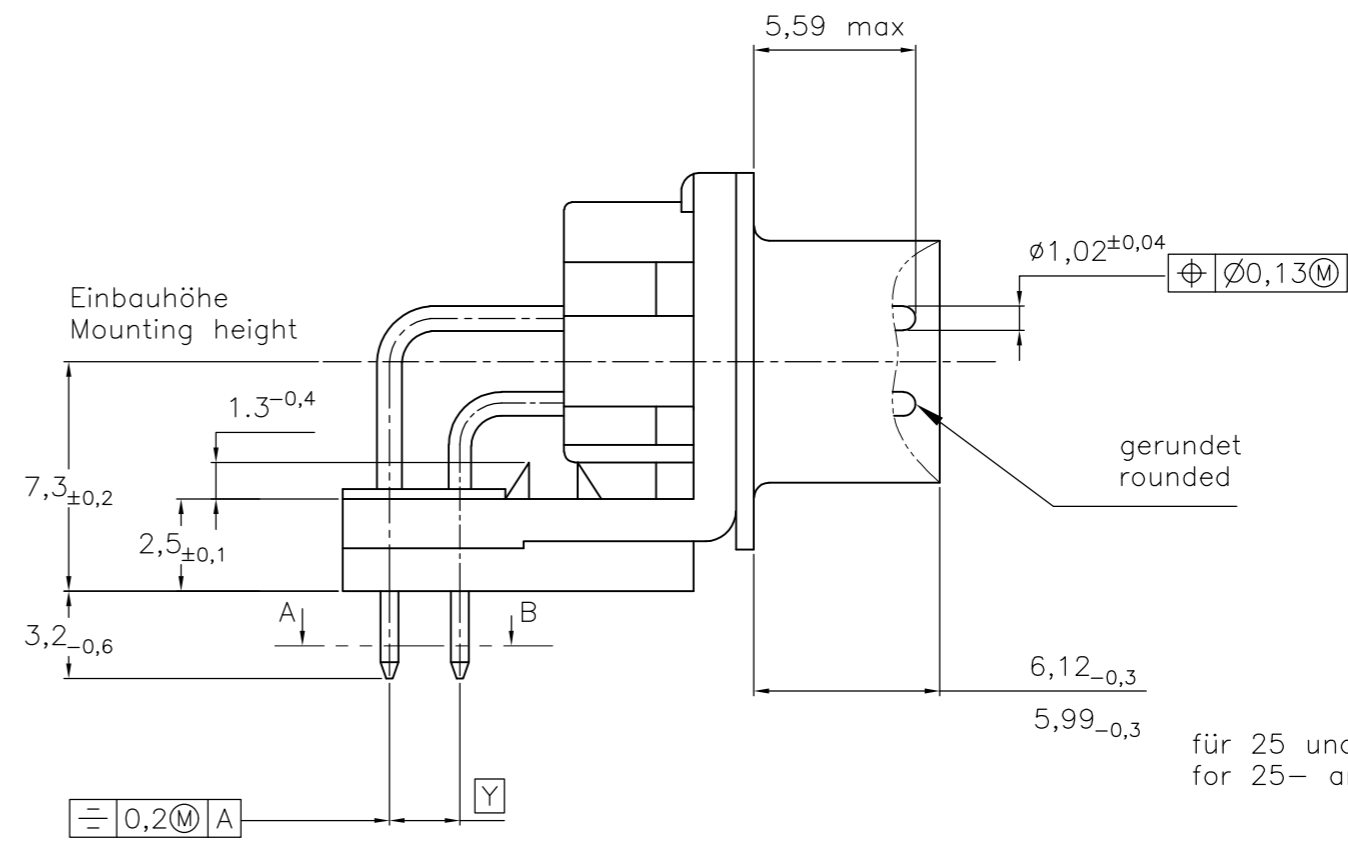
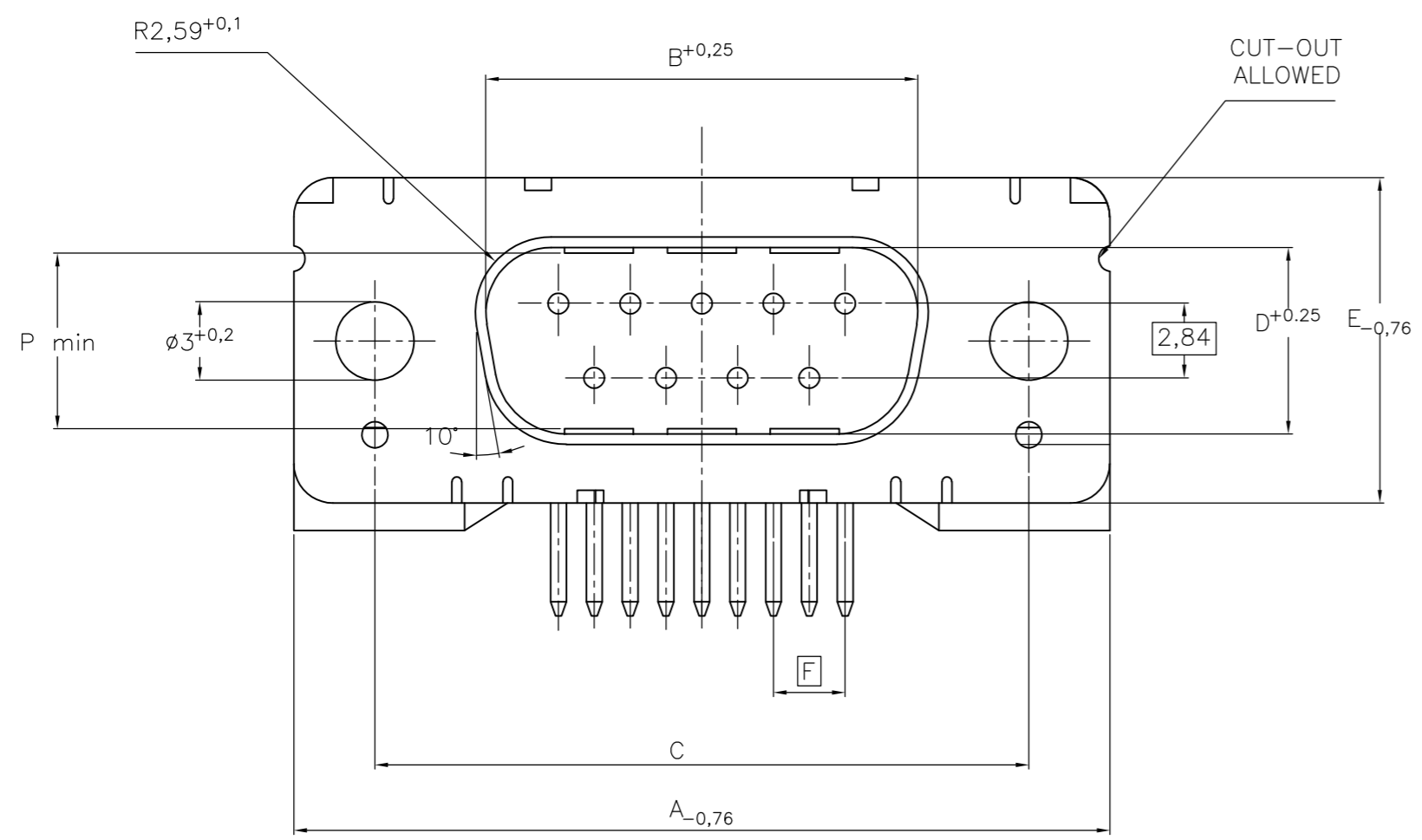
LP-Dicke 1,6±0,13mm, Loch ø3,1^{+0,2}
 PC-board-thickness 1,6±0,13mm, Hole ø3,1^{+0,2}

THIS DRAWING IS A CONTROLLED DOCUMENT. DIMENSIONING AND TOLERANCING PER ASME Y14.5M-2009		DWN: GNANI JADAV A E CHK: K.MALCZYK APVD: K.MALCZYK PRODUCT SPEC: - APPLICATION SPEC: -	TE Connectivity Stifteiste-90° Lötanschluss (Variant 2 und 3) ¹⁾ Pinconnector-90° solderversion (Type 2 and 3) ¹⁾	
DIMENSIONS: mm	TOLERANCES UNLESS OTHERWISE SPECIFIED:	SIZE: A2	CAGE CODE: 00779	DRAWING NO: C-1393478-8
0 PLC ± - 1 PLC ± - 2 PLC ± - 3 PLC ± - 4 PLC ± - ANGLES ± - FINISH -	MATERIAL - FINISH -	WEIGHT -	SCALE: 2:1	SHEET: 2 of 8
CUSTOMER DRAWING			RESTRICTED TO: -	REV: H

THIS DRAWING IS UNPUBLISHED. RELEASED FOR PUBLICATION
 © COPYRIGHT - By - ALL RIGHTS RESERVED.

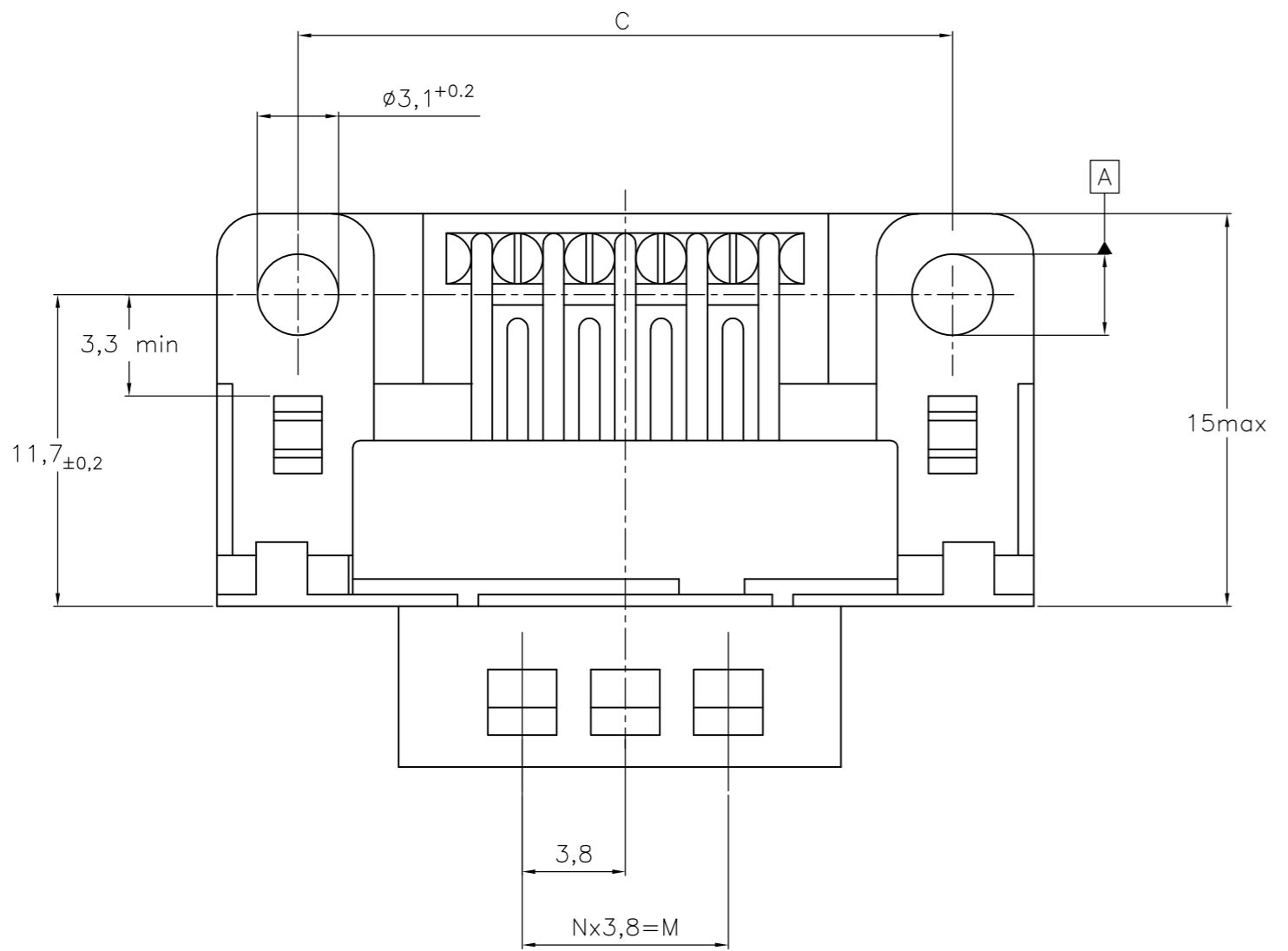
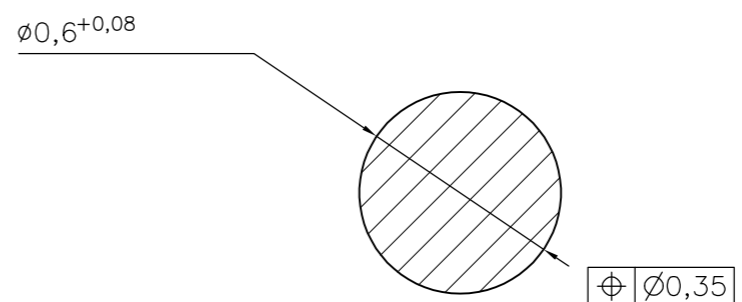
REVISIONS					
P	LTR	DESCRIPTION	DATE	DWN	APVD
-	-	SEE SHEET 1	-	-	-

Standardausführung isoliert: V23529-A₄1x1-Cxxx-+
 Standardversion insulated



für 25 und 37 polig
 for 25- and 37-contact version

Schnitt AB des Lötanschlusses
 Cross-section AB of solderpin
 (20:1)



Ordercode Sachnr V23529-Axxxx	Contacts Polzahl	Mass/Dimension									
		A	B	C	D	E	F	M	N	P	
..-Cx09-+	09	31,19	16,79	25,0 ^{+0,12} _{-0,13}	8,23	12,93	2,74	7,6	2	7,72	
..-Cx15-+	15	39,52	25,12	33,3 ^{+0,15} _{-0,1}			2,74	15,2	4	7,69	
..-Cx25-+	25	53,42	38,84	47,04 ^{+0,13} _{-0,13}			2,76	26,6	7	7,65	
..-Cx37-+	37	69,7	55,30	63,5 ^{+0,13} _{-0,13}			2,76	41,8	11	7,65	

Anforderungsstufe/Performance level 1)

OLD PN: V23529-A****-C***-*-7427

1) nach DIN 41652 T.2 und T.4
 according to DIN 41652 p.2 and p.4

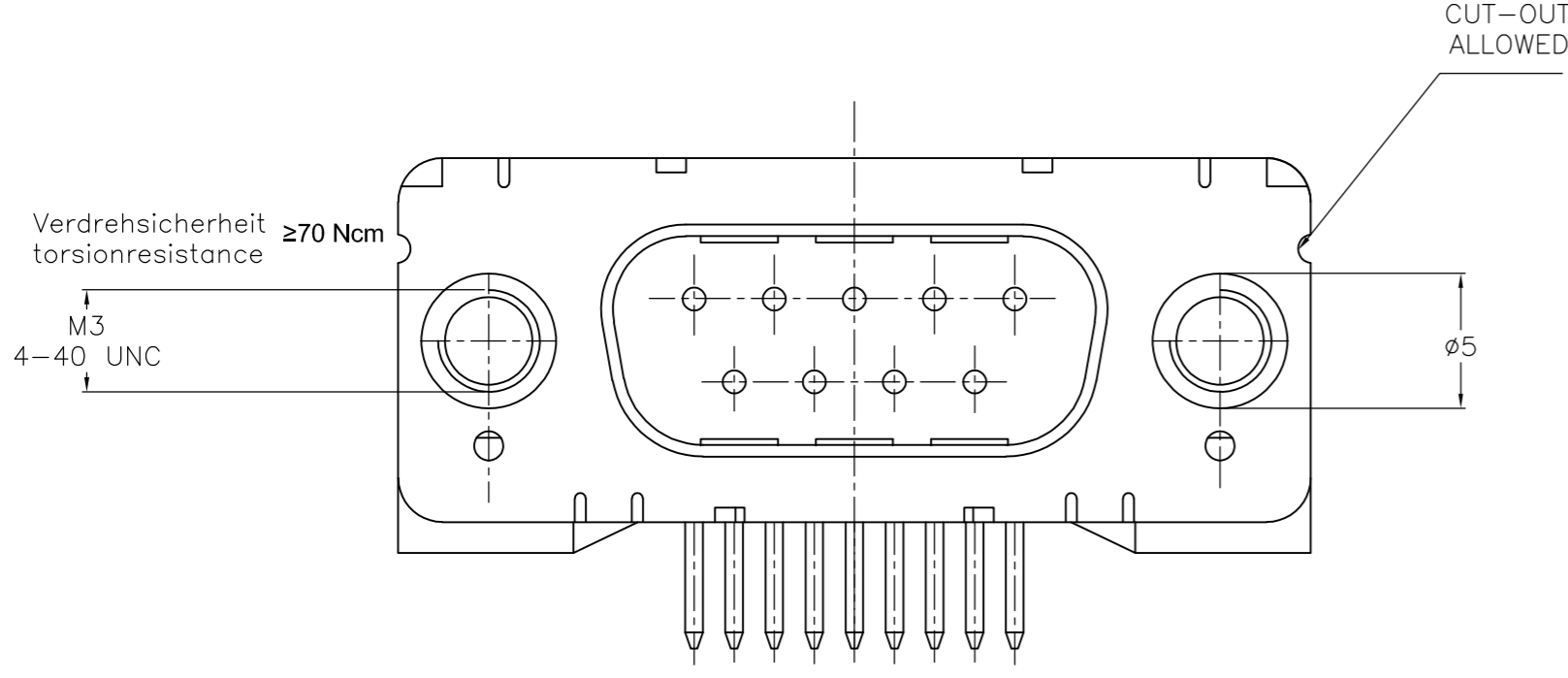
Sachnr./Ordernr	Y
V23529-	Y
Axx1x-Cxxx-+	2,84
Axx2x-Cxxx-+	2,54

THIS DRAWING IS A CONTROLLED DOCUMENT. DIMENSIONING AND TOLERANCING PER ASME Y14.5M-2009		DWN GNANI JADAV A E 07JAN10	TE Connectivity	
DIMENSIONS: mm		CHK K.MALCZYK	NAME Stiftleiste-90° Lötanschluss (Variant 2 und 3) ¹⁾ Pinconnector-90° solderversion (Type 2 and 3) ¹⁾	
TOLERANCES UNLESS OTHERWISE SPECIFIED: 0 PLC ± - 1 PLC ± - 2 PLC ± - 3 PLC ± - 4 PLC ± - ANGLES ± - FINISH		APVD K.MALCZYK	PRODUCT SPEC	RESTRICTED TO
MATERIAL		APPLICATION SPEC	SIZE A2	CAGE CODE 00779
		WEIGHT	DRAWING NO C=1393478-8	
		CUSTOMER DRAWING		SCALE 2:1
		SHEET 3 of 8		REV H

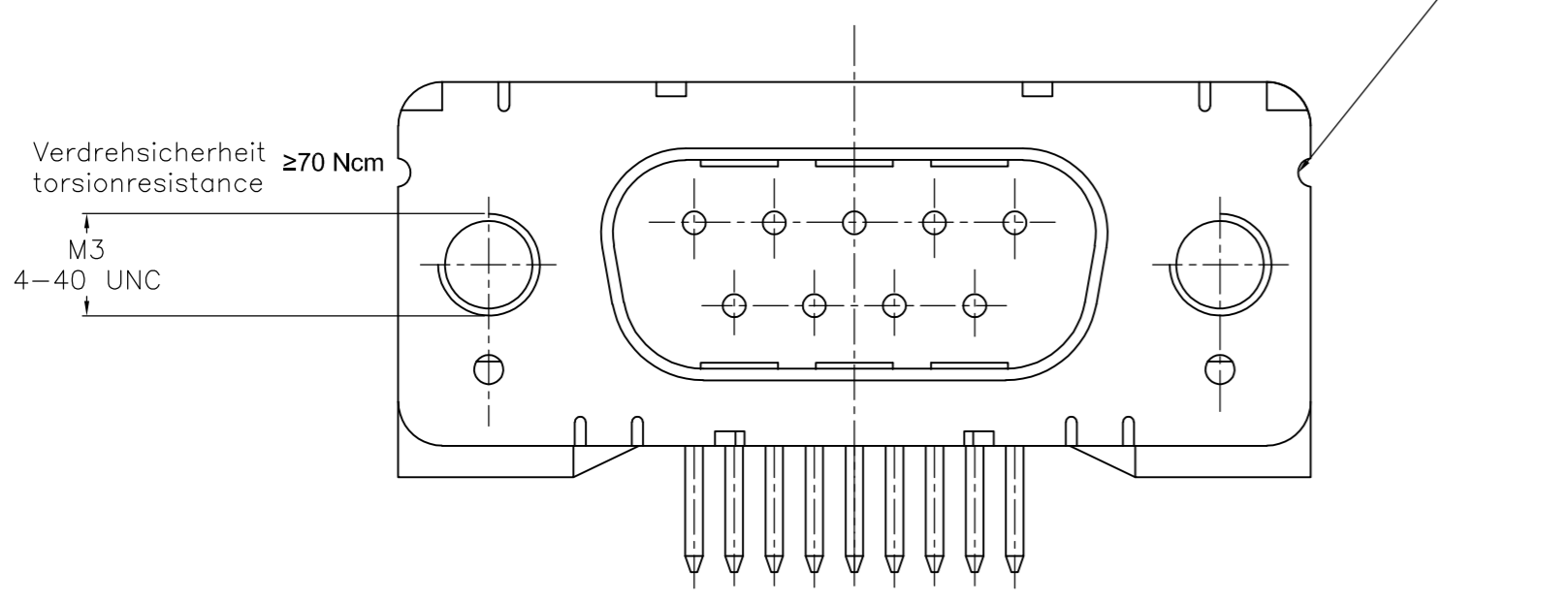
THIS DRAWING IS UNPUBLISHED. RELEASED FOR PUBLICATION
 © COPYRIGHT - By - ALL RIGHTS RESERVED.

REVISIONS				
P	LTR	DESCRIPTION	DATE	APVD
-	-	SEE SHEET 1	-	-

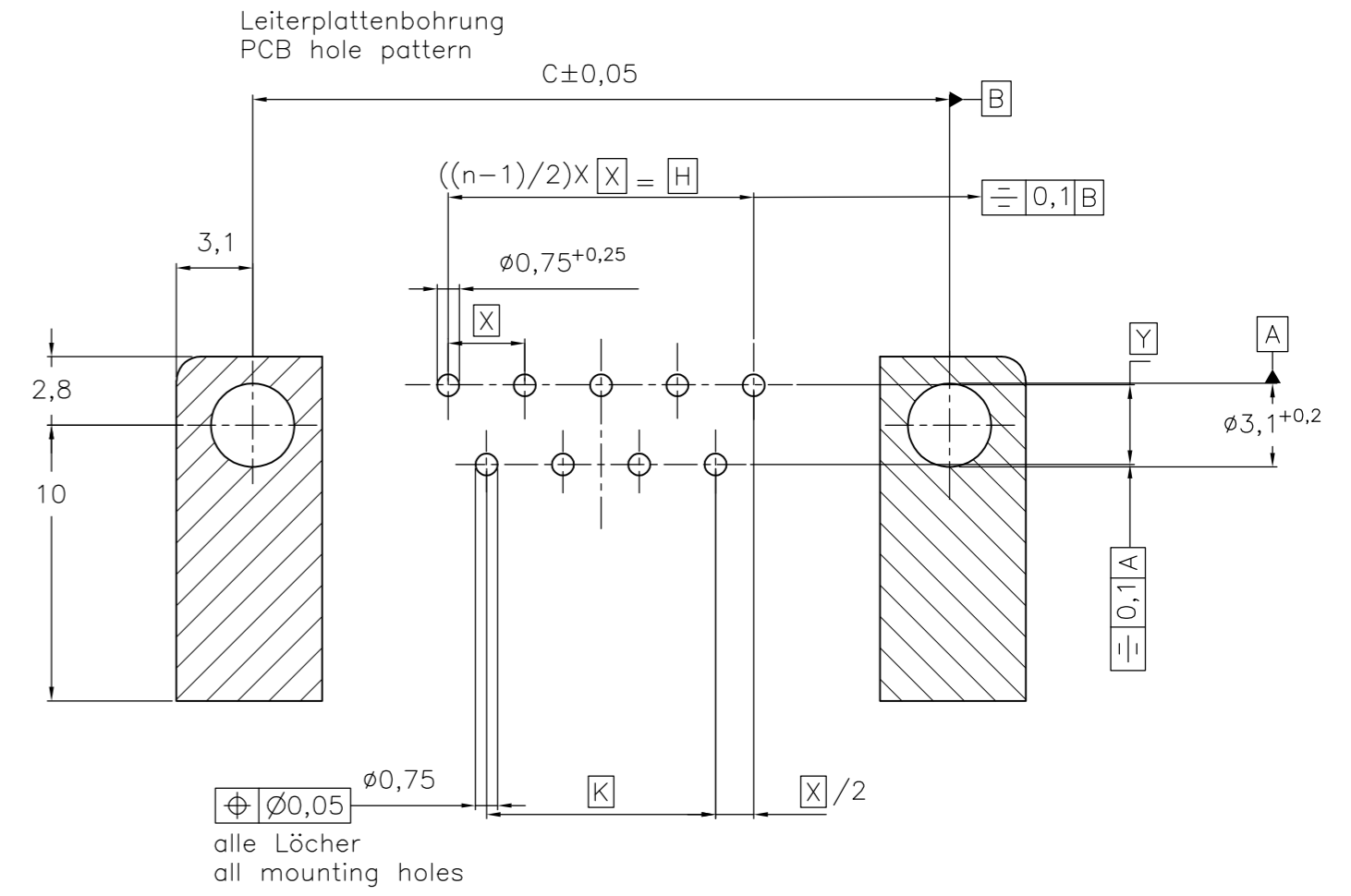
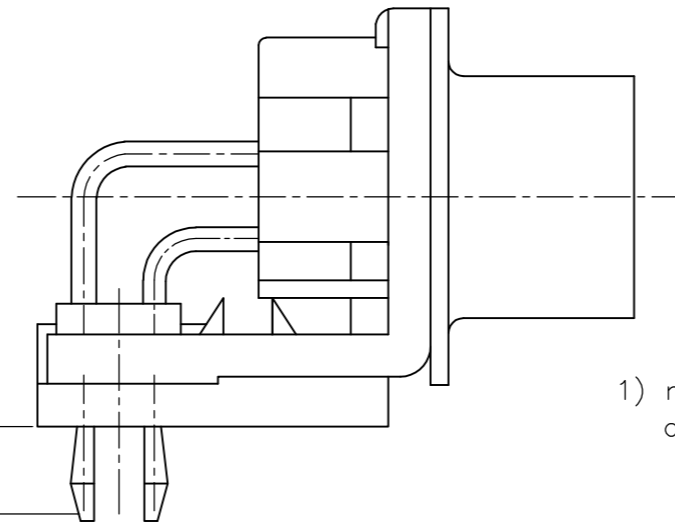
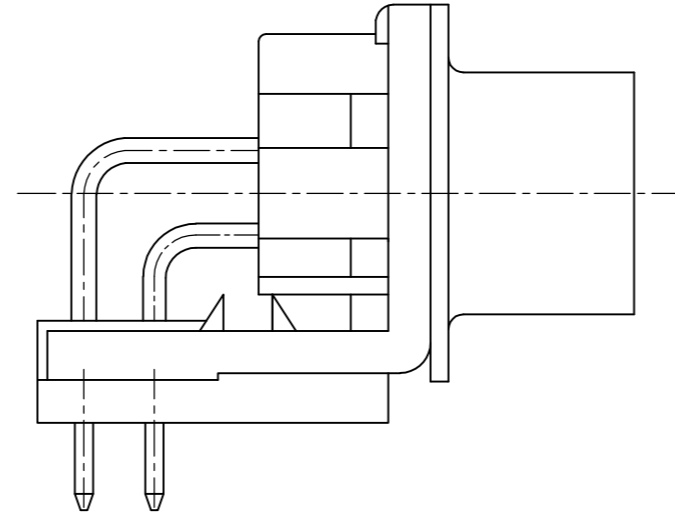
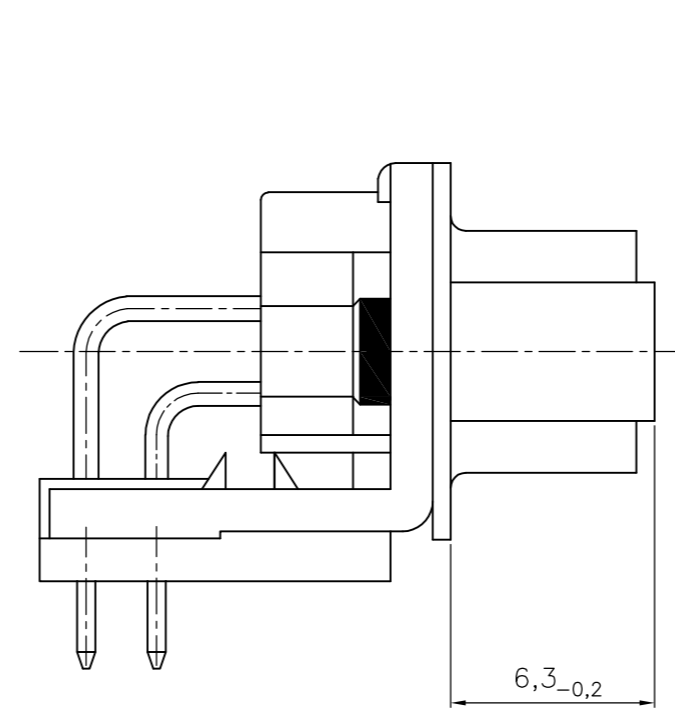
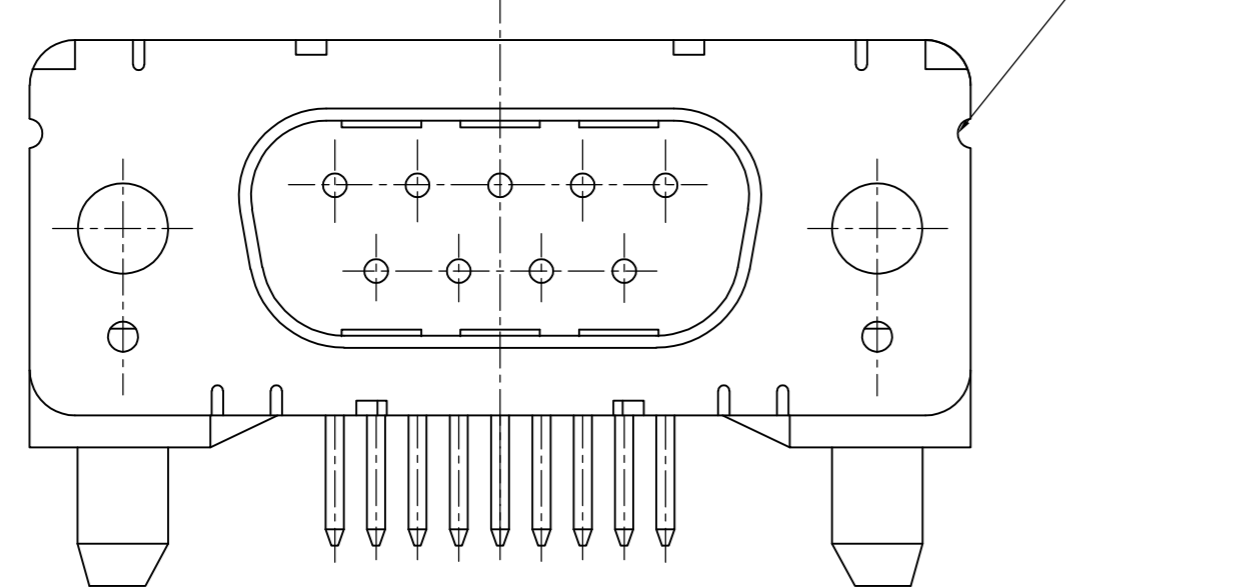
mit Gewindebolzen: M3 V23529-A₃xx4-Cxxx-+
 with thread lock 4-40 UNC V23529-A₃xx5-Cxxx-+



mit Gewinde: M3 V23529-A₃xx2-Cxxx-+
 with thread 4-40 UNC V23529-A₃xx3-Cxxx-+



mit Clipbefestigung: V23529-A₃2xx-Cxxx-+
 with snap-in



Mass Dimension	Polzahl n Number of contacts n			
	9	15	25	37
C	25	33,3	47,04	63,5
H	10,96	19,18	33,12	49,68
K	8,22	16,44	30,36	46,92
X	2,74	2,74	2,76	2,76
Y	2,54 ^{ger} 2,84			

1) nach DIN 41652 T,2 UND T,4
 according to DIN 41652 p,2 AND p,4

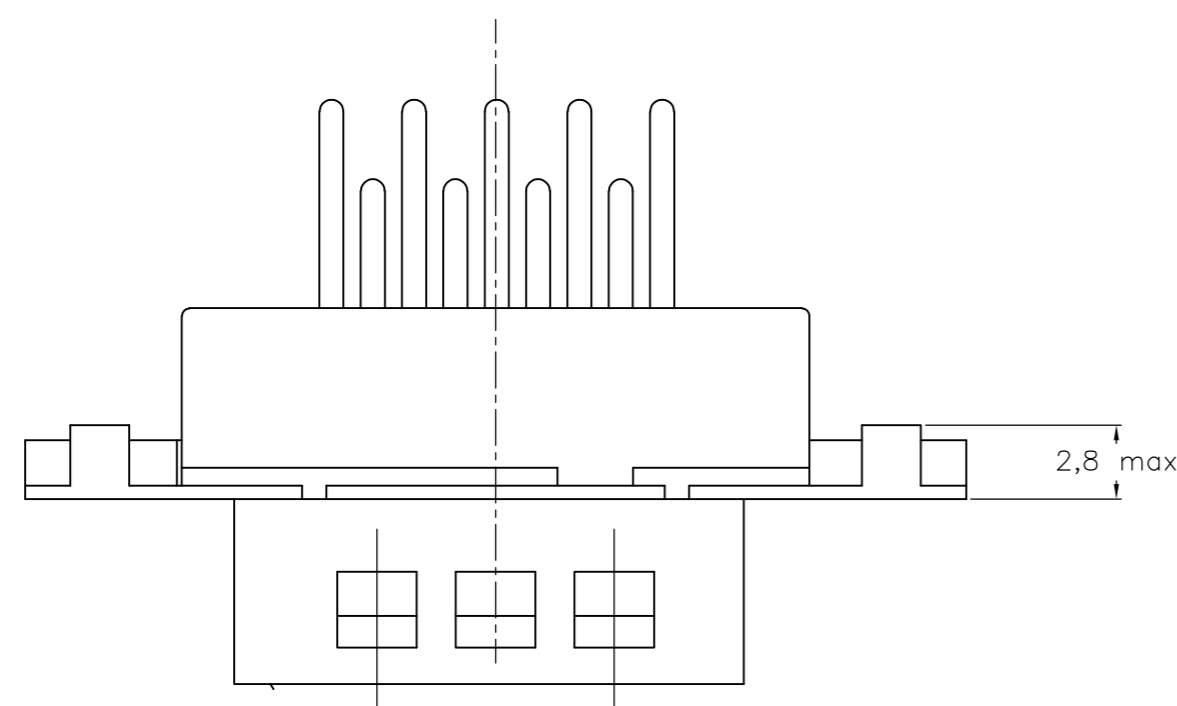
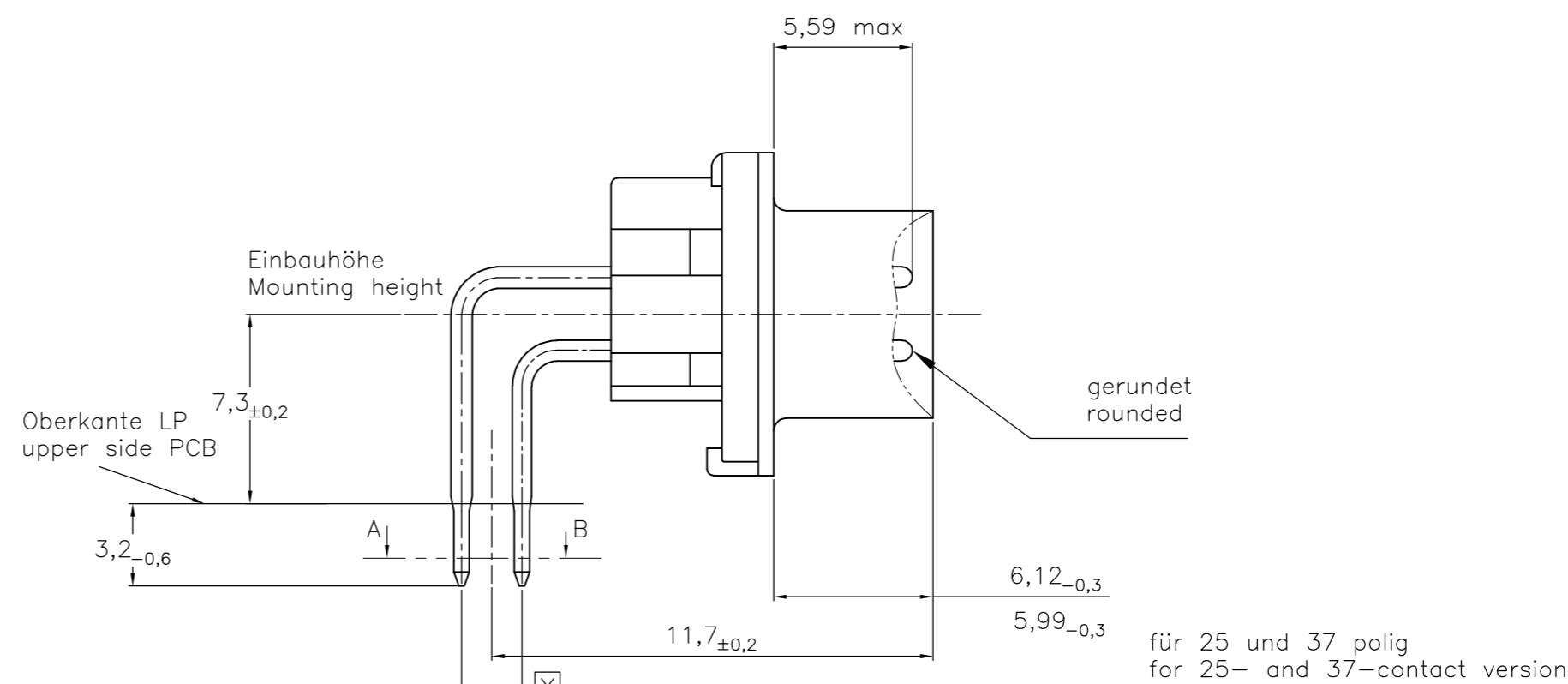
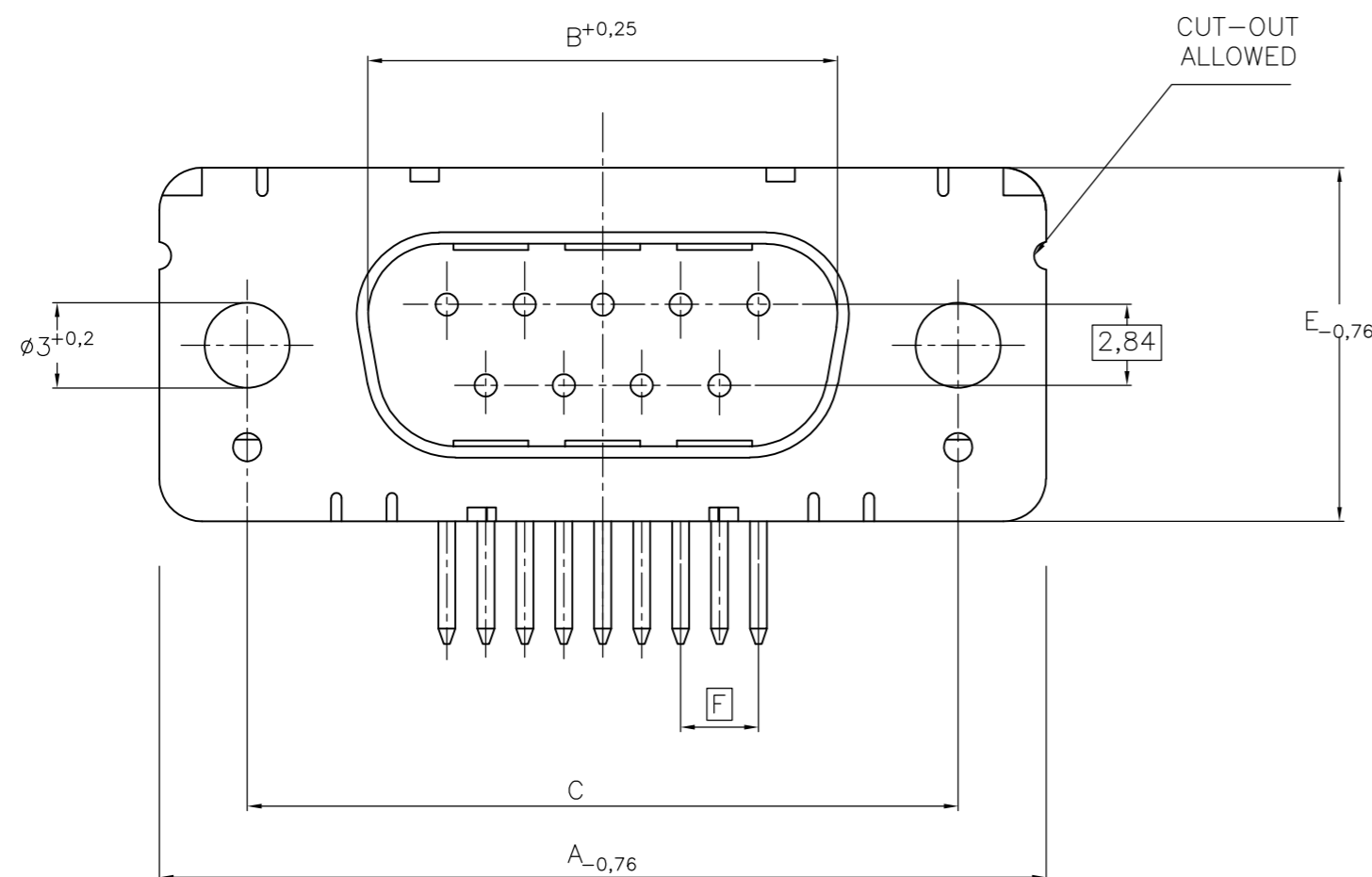
OLD PN: V23529-A****C***-*-7427

THIS DRAWING IS A CONTROLLED DOCUMENT. DIMENSIONING AND TOLERANCING PER ASME Y14.5M-2009		DWN GNANI JADAV A E	07JAN10		STE TE Connectivity
DIMENSIONS: mm		CHK K.MALCZYK	-		
TOLERANCES UNLESS OTHERWISE SPECIFIED:		APVD K.MALCZYK	NAME		Stiftleiste-90° LötAusführung (Variant 2 und 3) ¹⁾ Pinconnector-90° Solderversion (Type 2 and 3) ¹⁾
0 PLC ± -		PRODUCT SPEC	SIZE		
1 PLC ± -		APPLICATION SPEC	CAGE CODE		DRAWING NO
2 PLC ± -		WEIGHT	A2 00779		RESTRICTED TO
3 PLC ± -		CUSTOMER DRAWING		SCALE	2:1
4 PLC ± -		SCALE		SHEET	4 of 8
ANGLES ± -		SCALE		REV	H
FINISH		SCALE		REV	

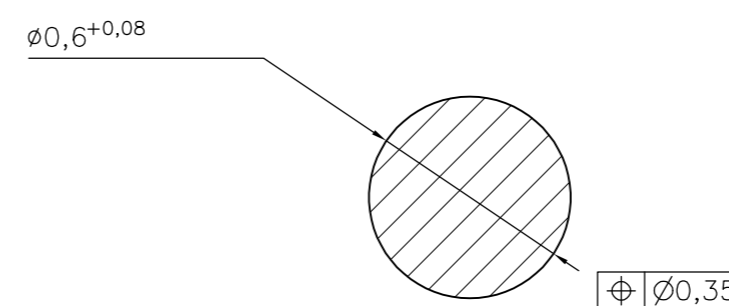
THIS DRAWING IS UNPUBLISHED. RELEASED FOR PUBLICATION
 © COPYRIGHT - By - ALL RIGHTS RESERVED.

REVISIONS				
P	LTR	DESCRIPTION	DATE	APVD
-	-	SEE SHEET 1	-	-

Standardausführung ohne Winkel: V23529-A50x1-Cxxx-+
 Standardversion without bracket



Schnitt AB des Lötanschlusses
 Cross-section AB of solderpin
 (20:1)



Ordercode Sachnr V23529-Axxxx	Contacts Polzahl	Mass/Dimension							
		A	B	C	D	E	F		P
..-Cx09-+	09	31,19	16,79	25,0 +0,12 -0,13	8,23	12,93	2,74		7,72
..-Cx15-+	15	39,52	25,12	33,3 +0,15 -0,1			2,74		7,69
..-Cx25-+	25	53,42	38,84	47,04 +0,13 -0,13			2,76		7,65
..-Cx37-+	37	69,7	55,30	63,5 +0,13 -0,13			2,76		7,65

Anforderungsstufe/Performance level 1)

OLD PN: V23529-A****-C***-*-7427

1) nach DIN 41652 T.2 und T.4
 according to DIN 41652 p.2 and p.4

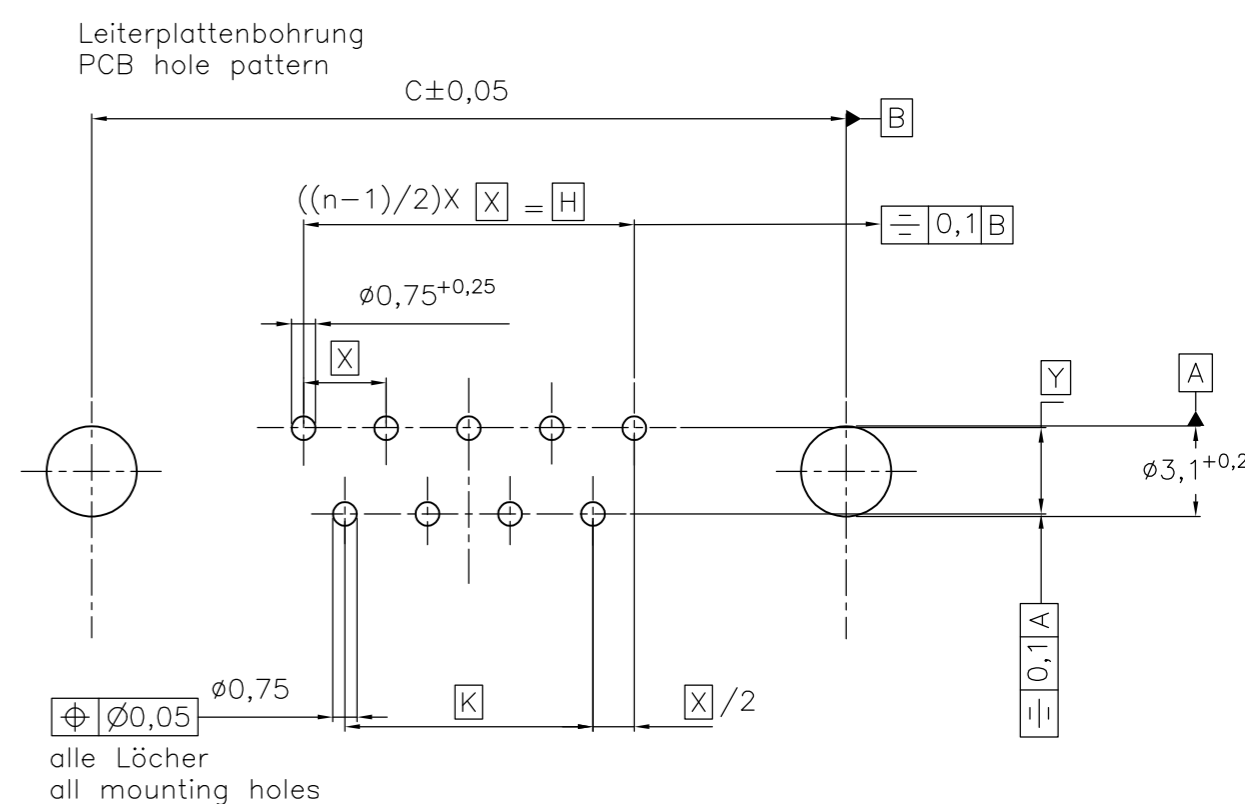
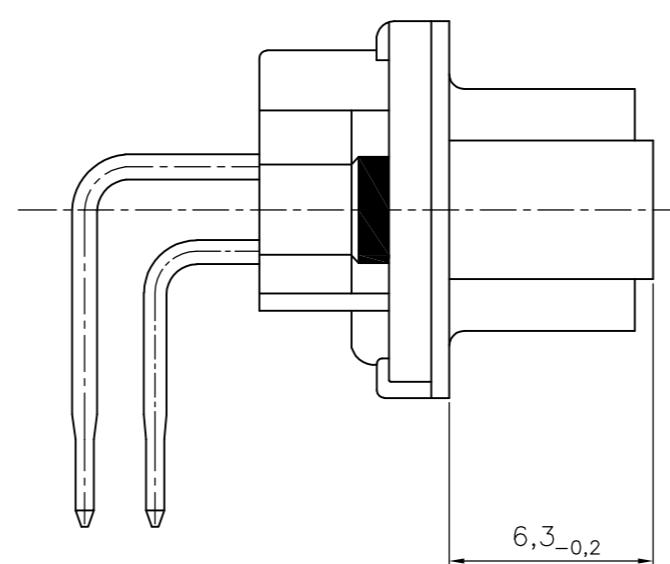
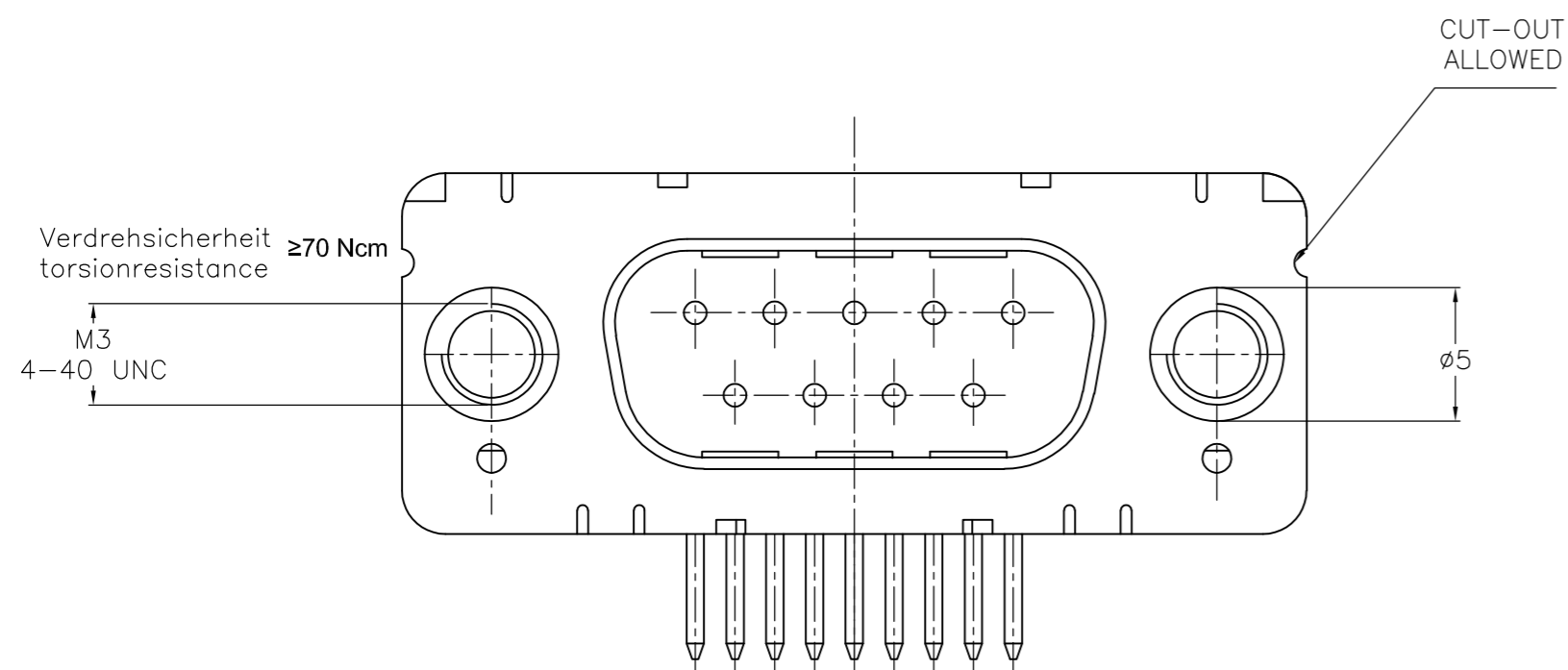
Sachnr/Ordernr V23529-	Y
A501x-Cxxx-+	2,84
A502x-Cxxx-+	2,54

THIS DRAWING IS A CONTROLLED DOCUMENT. DIMENSIONING AND TOLERANCING PER ASME Y14.5M-2009		DWN GNANI JADAV A E 07JAN10	TE Connectivity	
DIMENSIONS: mm		CHK K.MALCZYK	NAME Stiftleiste-90° Lötanschluss (Variant 2 und 3) ¹⁾ Pinconnector-90° solderversion (Type 2 and 3) ¹⁾	
TOLERANCES UNLESS OTHERWISE SPECIFIED: 0 PLC ± - 1 PLC ± - 2 PLC ± - 3 PLC ± - 4 PLC ± - ANGLES ± - FINISH		APVD K.MALCZYK	PRODUCT SPEC -	RESTRICTED TO -
MATERIAL -		APPLICATION SPEC -	WEIGHT -	SIZE A2
		CAGE CODE 00779	DRAWING NO C-1393478-8	SCALE 2:1
		CUSTOMER DRAWING		SHEET 5 of 8

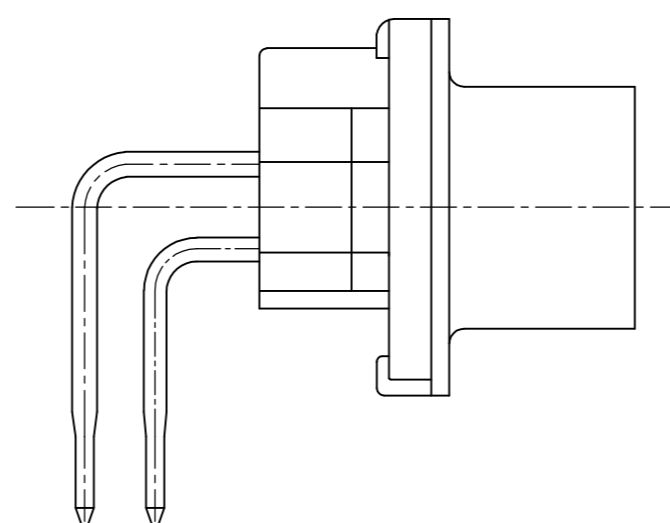
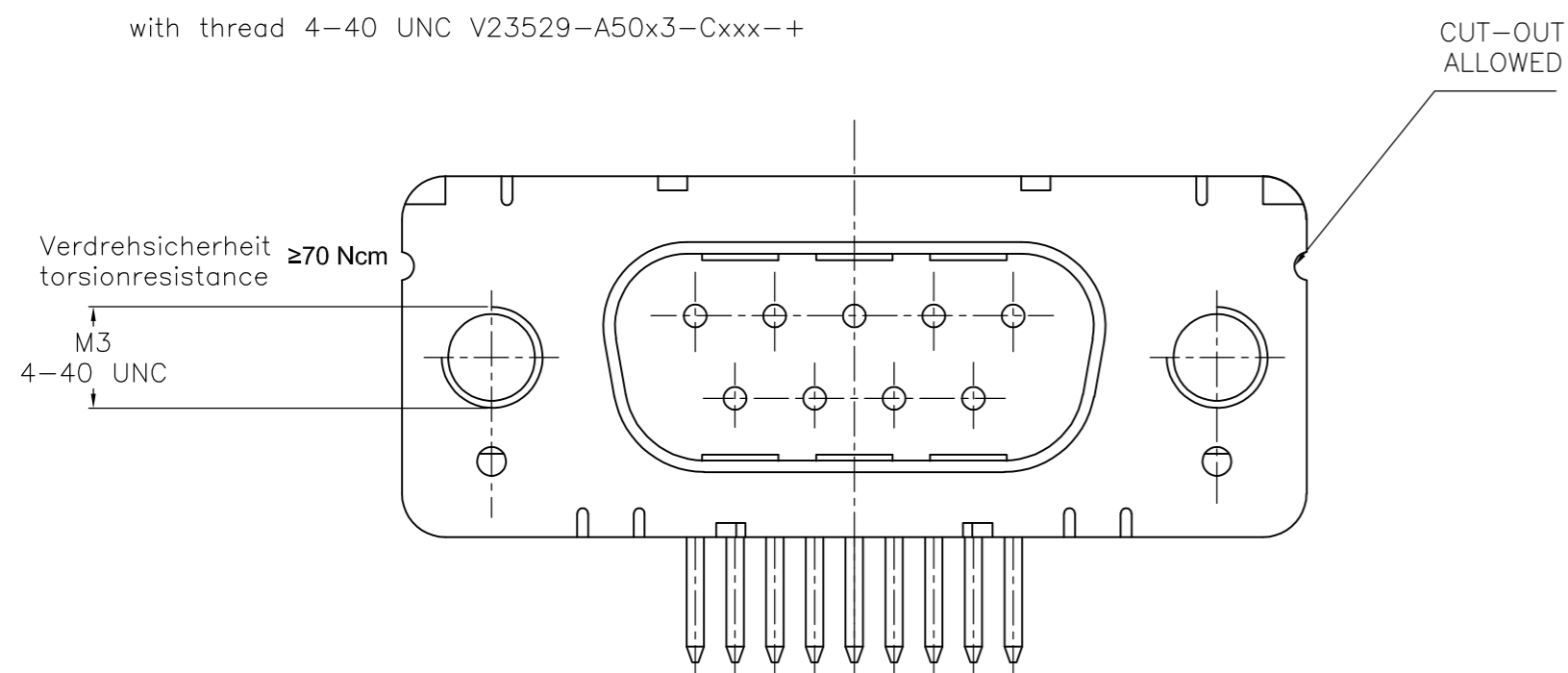
THIS DRAWING IS UNPUBLISHED. RELEASED FOR PUBLICATION
 © COPYRIGHT - By - ALL RIGHTS RESERVED.

REVISIONS				
P	LTR	DESCRIPTION	DATE	APVD
-	-	SEE SHEET 1	-	-

mit Gewindebolzen: M3 V23529-A50x4-Cxxx-+
 with thread lock 4-40 UNC V23529-A50x5-Cxxx-+



mit Gewinde: M3 V23529-A50x2-Cxxx-+
 with thread 4-40 UNC V23529-A50x3-Cxxx-+



Mass Dimension	Polzahl n Number of contacts n			
	9	15	25	37
C	25	33,3	47,04	63,5
H	10,96	19,18	33,12	49,68
K	8,22	16,44	30,36	46,92
X	2,74	2,74	2,76	2,76
Y	2,54 ^{ger} 2,84			

1) nach DIN 41652 T,2 UND T,4
 according to DIN 41652 p,2 AND p,4

OLD PN: V23529-A****C***-*-7427

THIS DRAWING IS A CONTROLLED DOCUMENT. DIMENSIONING AND TOLERANCING PER ASME Y14.5M-2009		DWN: GNANI JADAV A E CHK: K.MALCZYK APVD: K.MALCZYK	07JAN10		 TE Connectivity
DIMENSIONS: mm		TOLERANCES UNLESS OTHERWISE SPECIFIED:		NAME: Stifteleiste-90° Lötanschluss (Variant 2 und 3) ¹⁾ Pinconnector-90° solderversion (Type 2 and 3) ¹⁾	
 0 PLC ± - 1 PLC ± - 2 PLC ± - 3 PLC ± - 4 PLC ± - ANGLES ± - FINISH -		MATERIAL: -		SIZE: A2 CAGE CODE: 00779 DRAWING NO: C-1393478-8	RESTRICTED TO: -
MATERIAL: -		FINISH: -		SCALE: 2:1	SHEET: 6 of 8
CUSTOMER DRAWING				SCALE: 2:1	REV: H

REVISIONS				
P	LTR	DESCRIPTION	DATE	APVD
-	-	SEE SHEET 1	-	-

V 2 3 5 2 9 - A * * * * - C * * * - +

	Winkelausführung Beschriftung	// bracket type // marking
1	Metallwinkel mit Hersteller-Beschriftung	// metal bracket // producer marking
2	Metallwinkel ohne Beschriftung	// metal bracket // no marking
3	Metallwinkel Isoliert mit Hersteller-Beschriftung	// metal bracket insulated // producer marking
4	Metallwinkel Isoliert ohne Beschriftung	// metal bracket insulated // no marking
5	ohne Metallwinkel mit Hersteller-Beschriftung	// without metal bracket // producer marking

Leiterplattenbefestigung //PCB mounting	
0	ohne LP-Befestigung // none
1	Loch $\varnothing 3$ // hole $\varnothing 3$
2	mit Clip // snap-in
3	mit Gewinde M3 // thread M3

SUFFIX	
-(ohne) (without)	Isolierteil grau RAL 7035 // Insulation piece grey RAL 7035
S	Isolierteil schwarz RAL 9005 // Insulation piece black RAL 9005
H	Isolierteil schwarz RAL 9005 // Insulation piece black RAL 9005 Sonderbeschriftung H // customer marking H
T	Isolierteil schwarz hochtemperaturbeständig // Insulation piece black // high temperature resistant

Anschlußvarianten // contact type	
1	Stiellänge 3,2 mm // pin length 3,2 mm Raster 2,84 x 2,76 // spacing 2,84 x 2,76
2	Stiellänge 3,2 mm // pin length 3,2 mm Raster 2,54 x 2,76 // spacing 2,54 x 2,76

Steckerbefestigung // connector mounting	
1	Loch $\varnothing 3$ // hole $\varnothing 3$
2	Gewinde M3 // thread M3
3	Gewinde 4-40UNC // thread 4-40UNC
4	Gewindebolzen M3 // stud bolt screwlock M3
5	Gewindebolzen 4-40UNC // stud bolt screwlock 4-40UNC


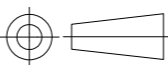
Polzahl // No. of contacts	
09	9 polig // 9-contacts
15	15 polig // 15-contacts
25	25 polig // 25-contacts
37	37 polig // 37-contacts

kontaktoberfläche / Anforderungsstufe contact surface / performance level	
1	Au / Güte // Au / PL
2	Au OR Au FLASH OVER PdNi / Güte // Au OR Au FLASH OVER PdNi / PL

Steckerart // connector type	
C	Stiftleiste mit Schirnfiederung // pinconnector with grounding fingers

1) nach DIN 41652 T.2 und T.4
according to DIN 41652 p.2 and p.4

OLD PN: V23529-A*****C***-*-7427

THIS DRAWING IS A CONTROLLED DOCUMENT. DIMENSIONING AND TOLERANCING PER ASME Y14.5M-2009		DWN 07JAN10 GNANI JADAV A E	 TE Connectivity				
DIMENSIONS: mm 		CHK K.MALCZYK			NAME Stiftleiste-90° Lötanschluss (Variant 2 und 3) ¹⁾ Pinconnector-90° solder version (Type 2 and 3) ¹⁾		
TOLERANCES UNLESS OTHERWISE SPECIFIED: 0 PLC ± - 1 PLC ± - 2 PLC ± - 3 PLC ± - 4 PLC ± - ANGLES ± - FINISH -		APVD K.MALCZYK	PRODUCT SPEC -	SIZE A2	CAGE CODE 00779	DRAWING NO. C-1393478-8	RESTRICTED TO -
MATERIAL -		WEIGHT -	APPLICATION SPEC -	SCALE 2:1		SHEET 7 of 8	REV H
CUSTOMER DRAWING							

THIS DRAWING IS UNPUBLISHED. RELEASED FOR PUBLICATION
 © COPYRIGHT - By - ALL RIGHTS RESERVED.

REVISIONS				
P	LTR	DESCRIPTION	DATE	APVD
-	-	SEE SHEET 1	-	-

Active part numbers. Contact Tyco Electronics for other configuration availability

Old Part Number	TE Part Number		PRIMARY	SECONDARY
V23529-A1111-C109	1393478-8	2 OBSOLETE		
V23529-A1111-C209	1-1393478-0	OBSOLETE		
V23529-A1111-C215	1-1393478-1	OBSOLETE		
V23529-A1111-C225	1-1393478-2	OBSOLETE		
V23529-A1111-C237	1-1393478-3	3		
V23529-A1113-C209	2-1393478-4	2 OBSOLETE		
V23529-A1115-C209	3-1393478-0	OBSOLETE		
V23529-A1115-C215	3-1393478-1	OBSOLETE		
V23529-A1115-C225	3-1393478-2	3		
V23529-A1115-C237	3-1393478-3	OBSOLETE		
V23529-A1121-C209	4-1393478-4	OBSOLETE		
V23529-A1121-C215	4-1393478-5	3		
V23529-A1121-C237	4-1393478-6	OBSOLETE		
V23529-A1122-C115	5-1393478-4	2 OBSOLETE		
V23529-A1122-C209	5-1393478-5	OBSOLETE		
V23529-A1122-C237	5-1393478-6	2 OBSOLETE		
V23529-A1123-C209	6-1393478-3	OBSOLETE		
V23529-A1123-C215	6-1393478-4	OBSOLETE		
V23529-A1123-C225	6-1393478-5	3		
V23529-A1123-C237	6-1393478-6	OBSOLETE		
V23529-A1124-C109	7-1393478-3	OBSOLETE		
V23529-A1125-C209	8-1393478-0	OBSOLETE		
V23529-A1125-C237	8-1393478-1	OBSOLETE		
V23529-A1215-C209	1393479-4	3		
V23529-A1221-C109	1-1393479-4	2 OBSOLETE		
V23529-A1221-C215	1-1393479-8	OBSOLETE		
V23529-A1221-C225	1-1393479-9	2 OBSOLETE		
V23529-A1222-C109	3-1393479-1	OBSOLETE		
V23529-A1222-C209	3-1393479-3	OBSOLETE		
V23529-A1222-C215	3-1393479-4	OBSOLETE		
V23529-A1222-C225	3-1393479-5	OBSOLETE		
V23529-A1222-C237	3-1393479-6	OBSOLETE		
V23529-A1223-C109	4-1393479-2			
V23529-A1223-C209	4-1393479-3			
V23529-A1223-C215	4-1393479-4			
V23529-A1223-C225	4-1393479-5			
V23529-A1223-C237	4-1393479-6	OBSOLETE		
V23529-A1225-C209	6-1393479-4	OBSOLETE		
V23529-A1225-C215	6-1393479-5	3		
V23529-A1225-C225	6-1393479-6	3		
V23529-A1112-C225	2-1393478-1	OBSOLETE		


Old Part Number	TE Part Number		PRIMARY	SECONDARY
V23529-A1225-C237	6-1393479-7	2 OBSOLETE		
V23529-A3113-C209	7-1393479-7	OBSOLETE		
V23529-A3121-C109	8-1393479-6	OBSOLETE		
V23529-A3121-C209	8-1393479-8	SUPERSEDED	5-338168-2	
V23529-A3121-C215	8-1393479-9	SUPERSEDED	5-338169-2	
V23529-A3121-C225	9-1393479-0	SUPERSEDED	5-338170-2	
V23529-A3121-C237	9-1393479-1	SUPERSEDED	5-338171-2	
V23529-A3122-C209	5-1393487-8	SUPERSEDED	7-338168-2	
V23529-A3122-C215	5-1393487-9	SUPERSEDED	7-338169-2	
V23529-A3122-C237	9-1393479-5	SUPERSEDED	7-338171-2	
V23529-A3125-C109	9-1393479-8	OBSOLETE		
V23529-A3125-C209	1393480-1	SUPERSEDED	8-338168-2	
V23529-A3125-C215	6-1393487-2	SUPERSEDED	8-338169-2	
V23529-A3125-C225	6-1393487-3	SUPERSEDED	8-338170-2	
V23529-A3125-C237	6-1393487-4	SUPERSEDED	8-338171-2	
V23529-A3212-C209	1393480-4	OBSOLETE		
V23529-A3221-C209	6-1393487-9	SUPERSEDED	0-338168-2	
V23529-A3221-C215	7-1393487-0	SUPERSEDED	0-338169-2	
V23529-A3221-C225	7-1393487-1	SUPERSEDED	0-338170-2	
V23529-A3221-C237	7-1393487-2	SUPERSEDED	0-338171-2	
V23529-A3222-C209	7-1393487-7	SUPERSEDED	2-338168-2	
V23529-A3222-C215	7-1393487-8	SUPERSEDED	2-338169-2	
V23529-A3222-C225	7-1393487-9	SUPERSEDED	2-338170-2	
V23529-A3222-C237	8-1393487-0	SUPERSEDED	2-338171-2	
V23529-A3223-C209	1392010-9	SUPERSEDED	1-338168-2	
V23529-A3223-C215	1-1393480-1	SUPERSEDED	1-338169-2	
V23529-A3223-C225	1-1392010-0	SUPERSEDED	1-338170-2	
V23529-A3223-C237	1-1392010-1	SUPERSEDED	1-338171-2	
V23529-A3225-C209	1-1393480-5	SUPERSEDED	3-338168-2	
V23529-A3225-C215	8-1393487-5	SUPERSEDED	3-338169-2	
V23529-A3225-C225	8-1393487-6	SUPERSEDED	3-338170-2	
V23529-A3225-C237	8-1393487-7	SUPERSEDED	3-338171-2	
V23529-A3213-C209	1393480-8	OBSOLETE		
V23529-A3111-C209	7-1393479-1	OBSOLETE		
V23529-A3113-C209	7-1393479-7	OBSOLETE		
V23529-A3113-C215	7-1393479-9	OBSOLETE		
V23529-A3122-C225	9-1393479-4	SUPERSEDED	7-338170-2	
V23529-A3125-C137	9-1393479-9	OBSOLETE		

OLD PN: V23529-A****C***-*-7427

1) nach DIN 41652 T.2 und T.4 according to DIN 41652 p.2 and p.4

2 OBSOLETE PARTS: OBSOLETE CIS STREAMLINING PER D.RENAUD/D.SINISI

3 OBSOLETE

THIS DRAWING IS A CONTROLLED DOCUMENT. DIMENSIONING AND TOLERANCING PER ASME Y14.5M-2009		DWN 07JAN10 GNANI JADAV A E	 TE Connectivity	
DIMENSIONS: mm		CHK K.MALCZYK		
TOLERANCES UNLESS OTHERWISE SPECIFIED:		APVD K.MALCZYK	NAME Stifteiste-90° Lötanschluss (Variant 2 und 3) ¹⁾ Pinconnector-90° solderversion (Type 2 and 3) ¹⁾	
0 PLC ± - 1 PLC ± - 2 PLC ± - 3 PLC ± - 4 PLC ± - ANGLES ± -		PRODUCT SPEC		
MATERIAL	FINISH	APPLICATION SPEC	SIZE A2	CAGE CODE 00779
CUSTOMER DRAWING		WEIGHT	DRAWING NO C=1393478-8	RESTRICTED TO
		SCALE 2:1	SHEET 8 of 8	REV H

X-ON Electronics

Largest Supplier of Electrical and Electronic Components

Click to view similar products for [D-Sub Standard Connectors](#) category:

Click to view products by [TE Connectivity](#) manufacturer:

Other Similar products are found below :

[56F711-015](#) [012-9507-004](#) [LV242999-142T12](#) [015-0341-000](#) [015-0372-005](#) [015-0372-008](#) [015-8755-001](#) [020419-0104](#) [012-0467-000](#) [012-0515-000](#) [012-9507-034](#) [012-9507-114](#) [020745-0008](#) [609-25P](#) [M24308/2-23Z](#) [CT2-14S-2PCA34](#) [CT2-18-11PCAU](#) [CT2-36-15SC](#) [CT6-10SL-3SC](#) [CT6-10SL-4SC](#) [CT6-14S-2SC](#) [CT6E14SA7SC](#) [M83513/01-FC](#) [M83723/76W24619 L/C](#) [M85049/48-3-2F](#) [6STD09PCM99B70X](#) [6STD09SCM99B30X](#) [6STD09SCT99S40X](#) [6STD15PCT99S40X](#) [6STD15SCM99B30X](#) [6STD15SCT99S40X](#) [6STF09PCM05B70X](#) [7-135760-9](#) [MC11E-10-6SN](#) [747552-3](#) [MD1-21PS](#) [MDM-15SCBRM7-F222](#) [MDM96517-699](#) [MDM96521-744](#) [MDVB1-21SL1](#) [MIK0-1-7SH003](#) [MIKQ6-7SH076](#) [MIKQ7-7PH077](#) [MIKQ7-7PH11](#) [MIKQ7-7PH32](#) [MJSV-28SL61](#) [MKJ4A1F14-55S](#) [8-135760-3](#) [8STD09PCM99B30X](#) [PG-KV/PV-16-GROM-SEALING](#)