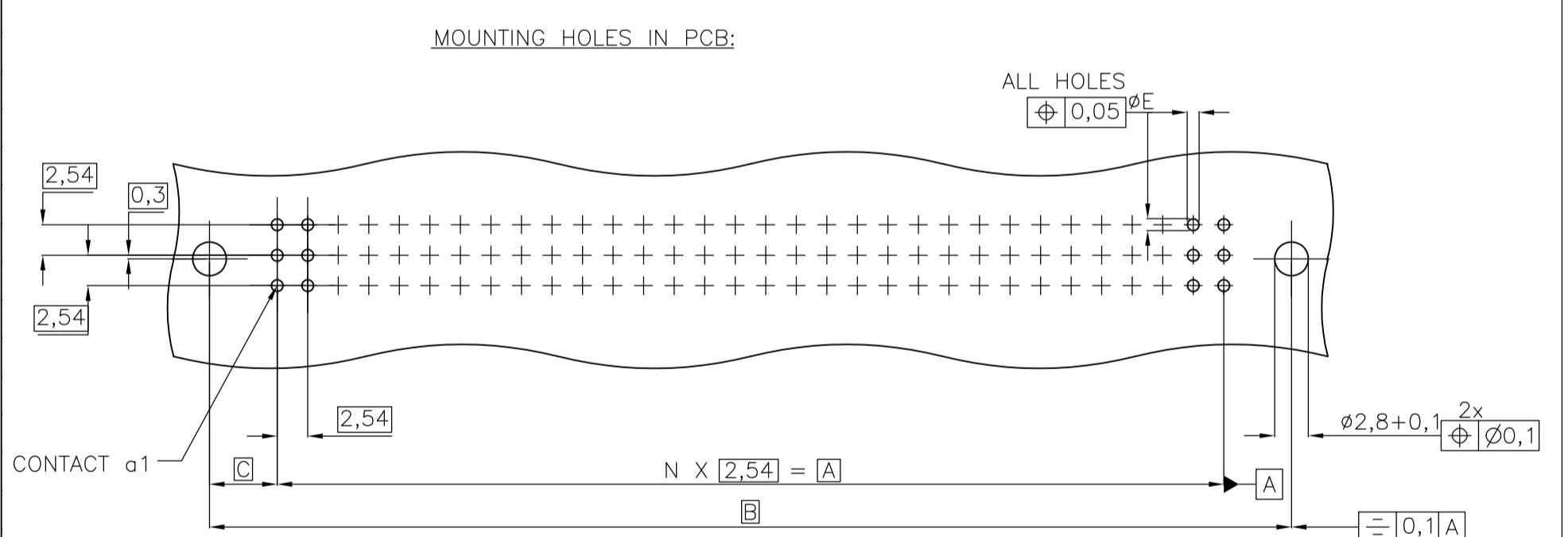
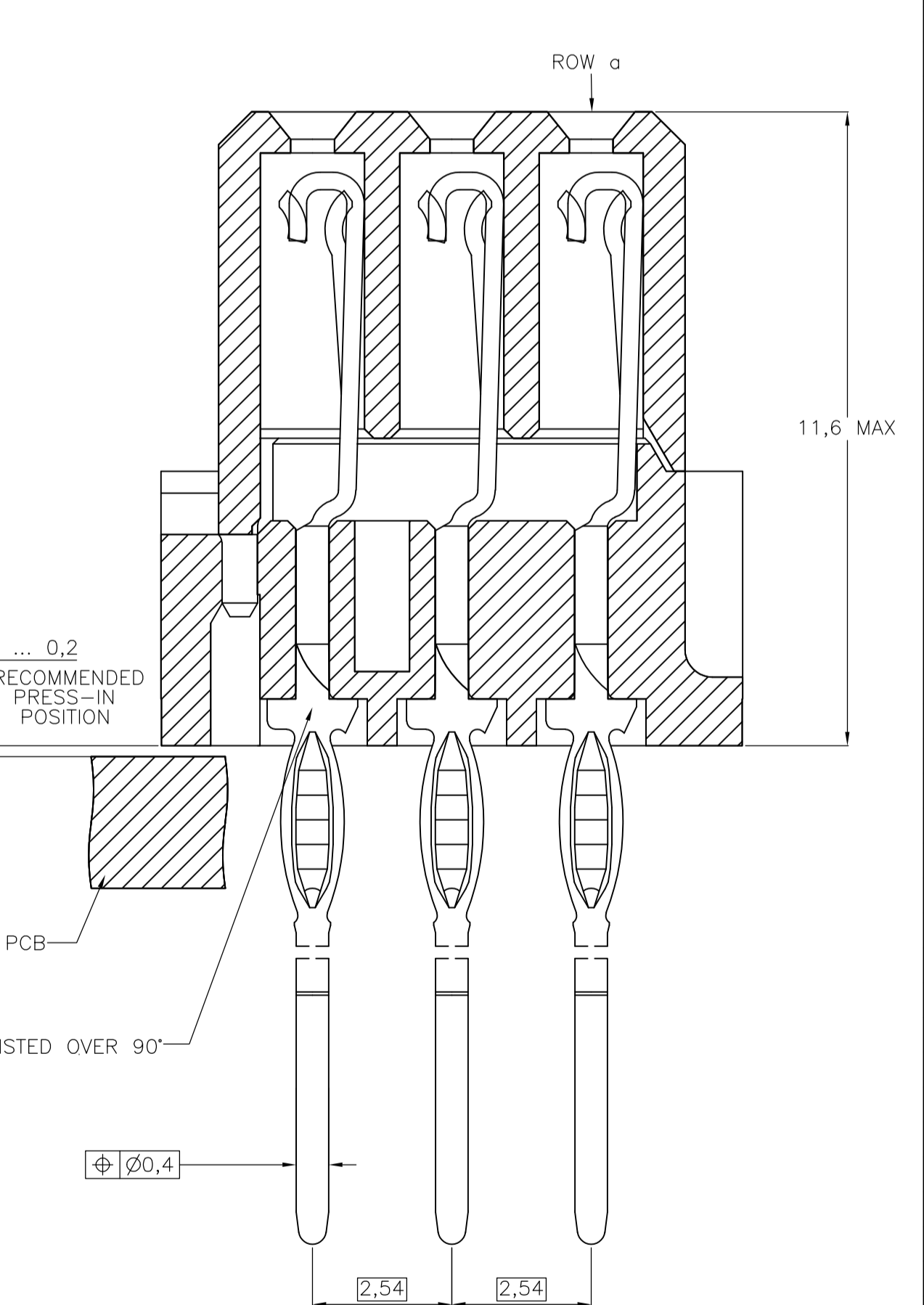
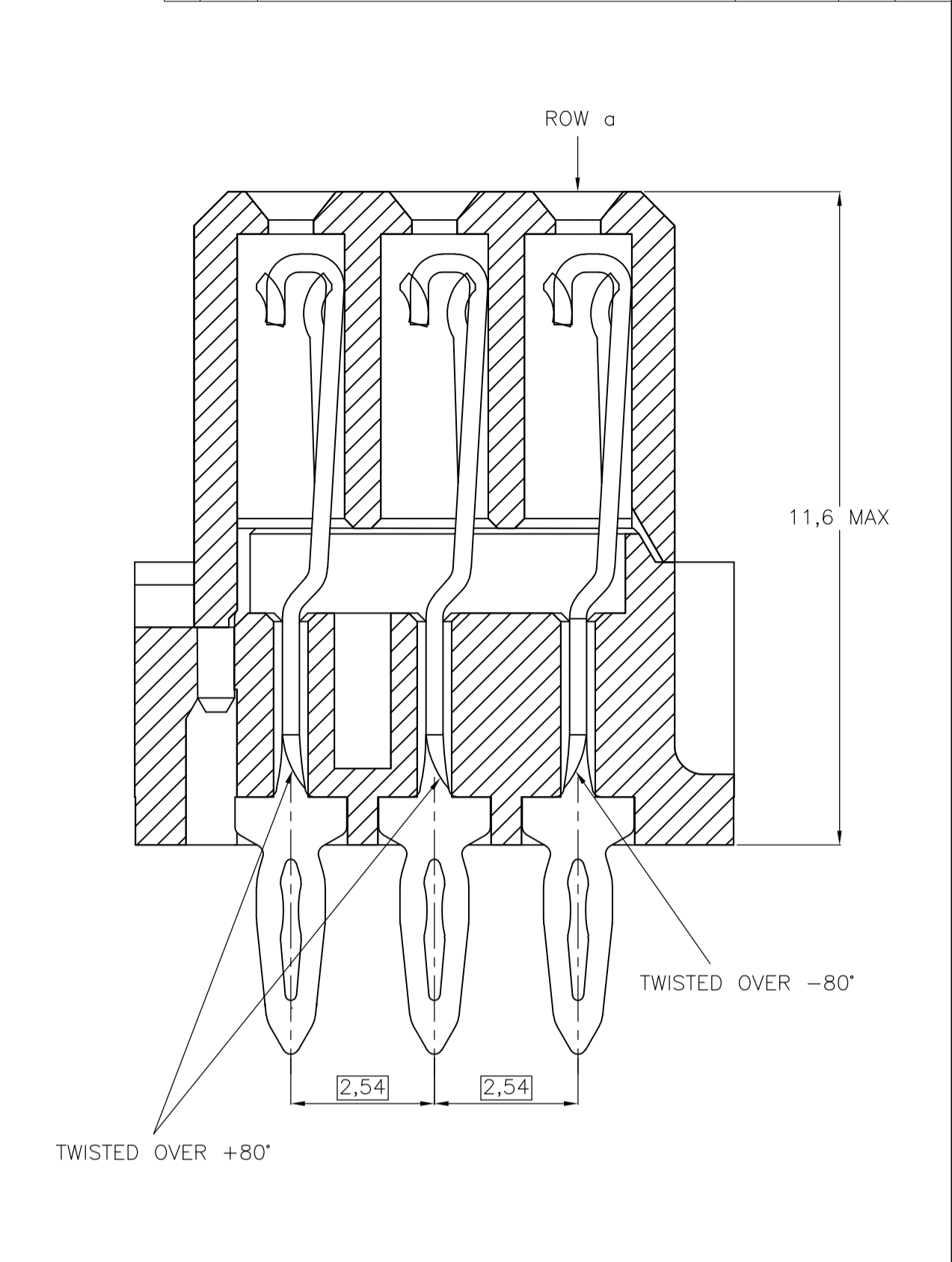
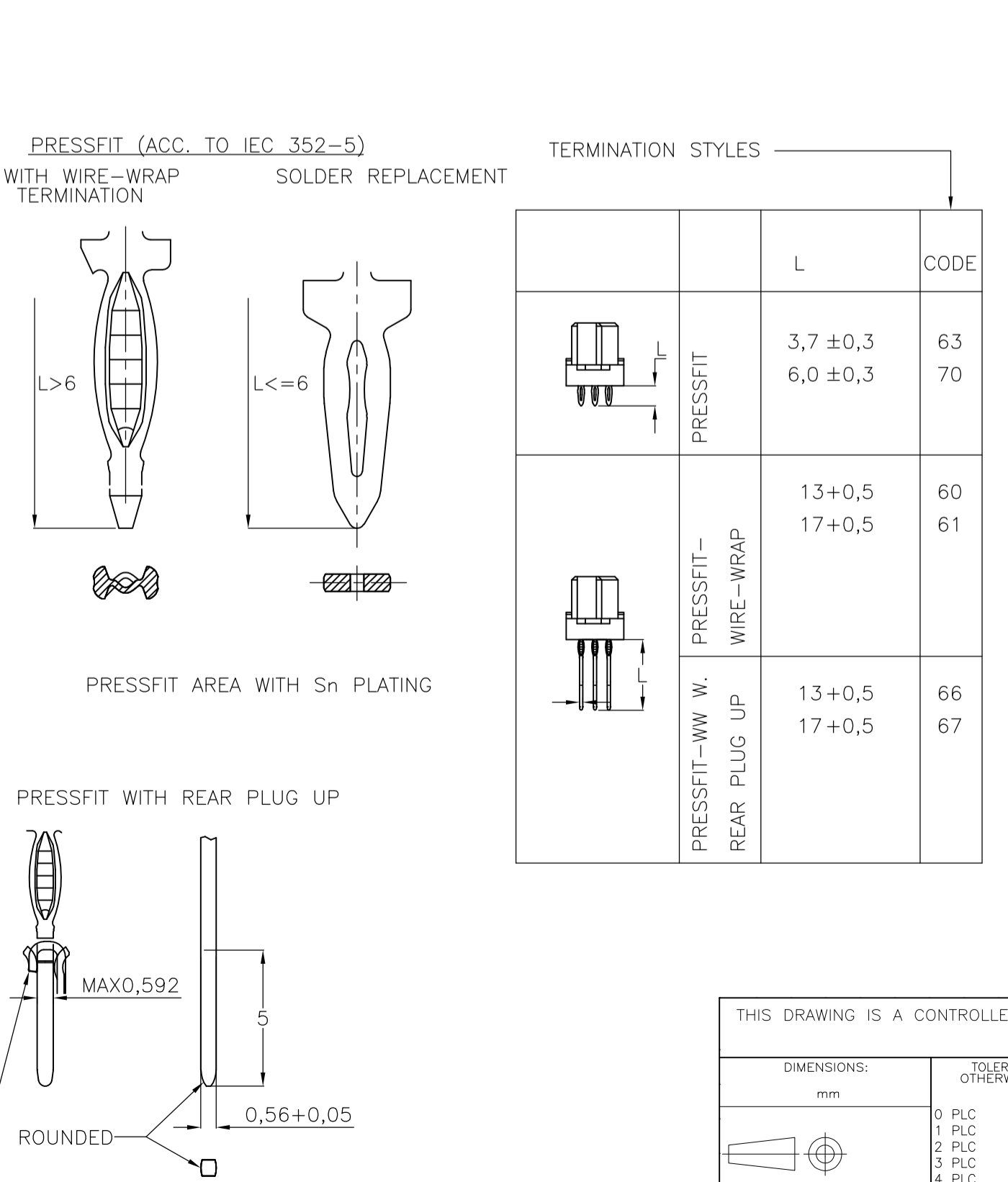
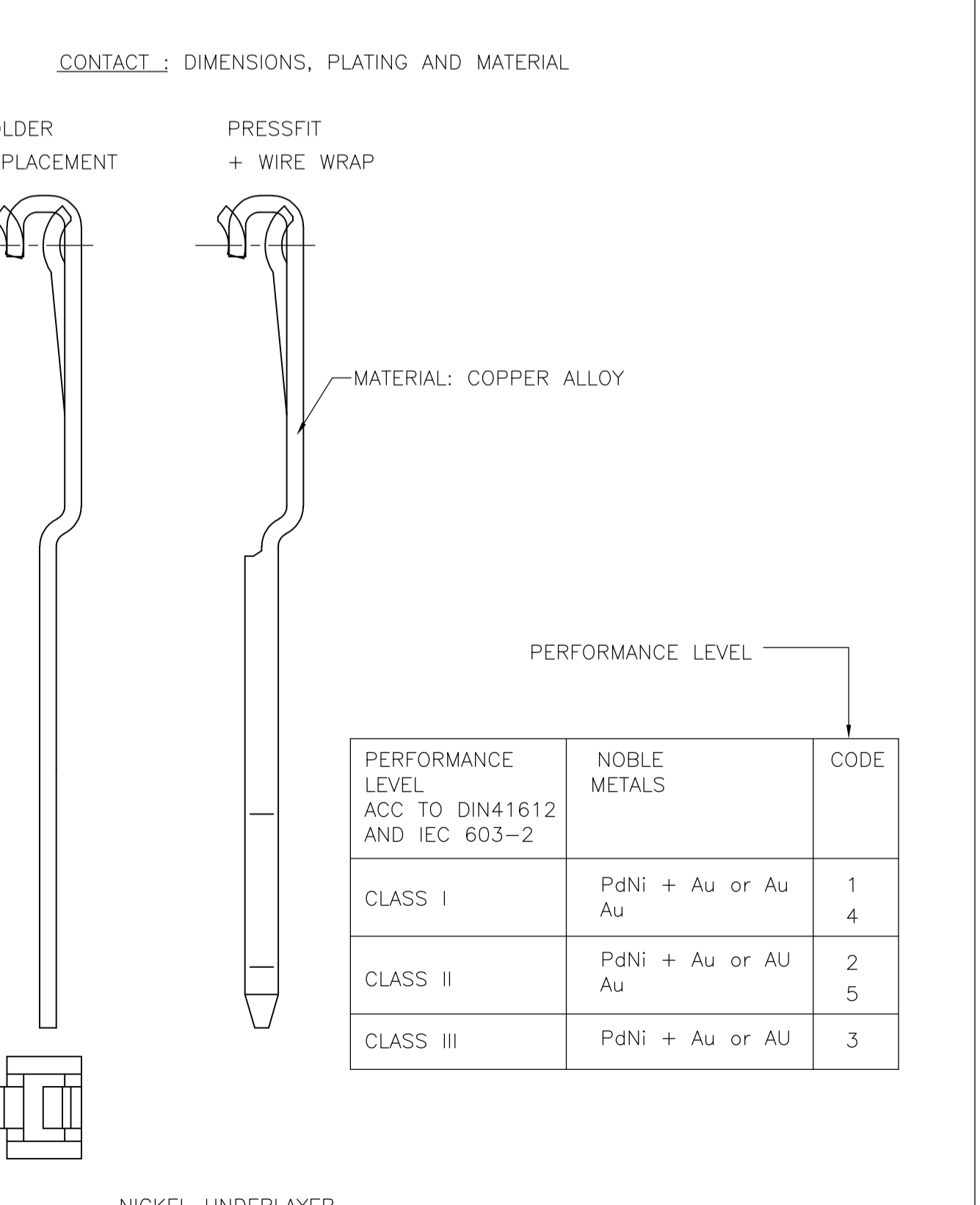
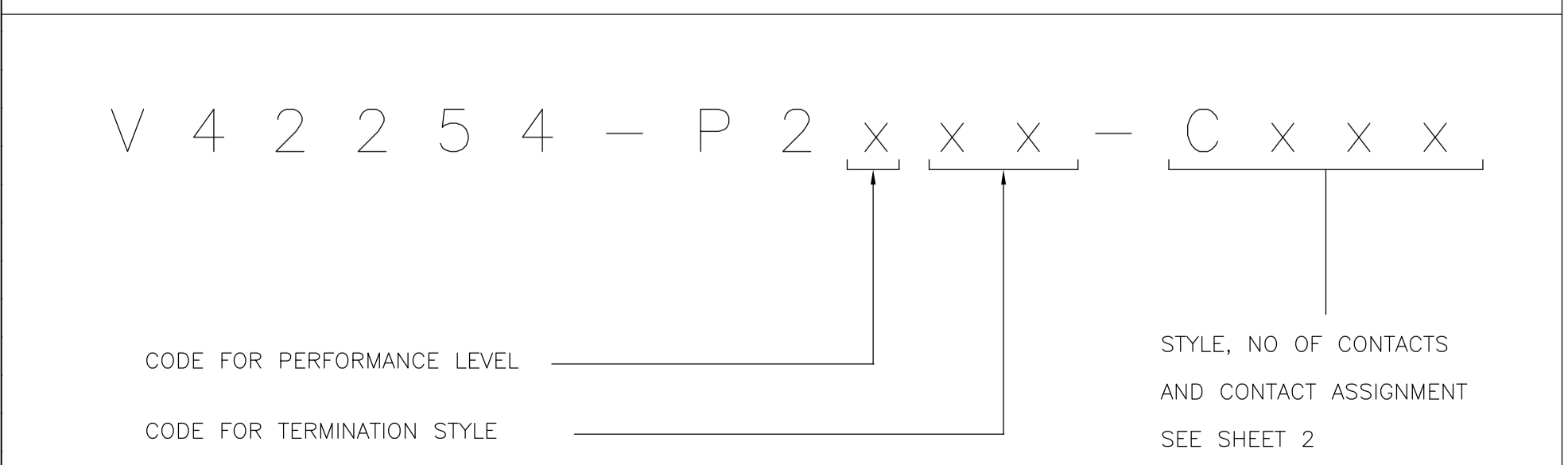


REV	DATE	DESCRIPTION	BY	APPV
D4	18-03-09	ECR-08-012252	RK	AEGMKO
D5	01JUN10	ECR-10-002555	RK	IMKO
D6	13SEP11	ECR-10-004503	RK	IMKO



TYPE	N	A	B	C	E	TERMINATION
B C	31	78,74	90	5,63	0,94±0,15	PRESS FIT ¹⁾
B/2 C/2	15	38,16	50	5,95		
B/3 B/3	9	22,86	34,76	5,95		

1) PLATED-THROUGH HOLE :
DRILLED HOLE = 1,15 mm
CU MIN 25 µm
SnPb = 5...15 µm



THIS DRAWING IS A CONTROLLED DOCUMENT.

DIMENSIONS: mm

TOLERANCES UNLESS OTHERWISE SPECIFIED:

PLC	±
0 PLC	±
1 PLC	±
2 PLC	±
3 PLC	±
4 PLC	±
ANGLES	±

MATERIAL: - FINISH: -

THIS DRAWING IS A CONTROLLED DOCUMENT.

DIN: CUIVELIER 07JUN94

TE Connectivity

RECEPTACLE ASSEMBLY EUROCARD
PRESS FIT, TYPES B,C AND SHORT VERSIONS
(PN:V42254-P2***-C***-7626)

SIZE: A1

WEIGHT: -

CUSTOMER DRAWING

SCALE: NTS

SHEET: 1 OF 2

REV: D6

OLD PART NUMBER	TE PIN	STYLE & NUMBER OF POSITIONS	TERMINATION POSTS	LOADED ROWS	PERFORMANCE LEVEL	BOARD LOCKS	
V42254-P2163-C483	1393637-6	C48	3,7mm PRESS-IN TERMINALS	ROW A+C , EVERY PITCH	1	NO	
V42254-P2163-C960	1393637-7	C96	3,7mm PRESS-IN TERMINALS	EVERY ROW , EVERY PITCH	1	NO	SUPERSEDED BY 4-1393637-6
V42254-P2163-C963	1393637-9	C96	3,7mm PRESS-IN TERMINALS	ROW A+C , EVERY PITCH	1	NO	OBSOLETE
V42254-P2167-C960	1-1393637-0	C96	17mm PRESS-IN TERMINALS WITH WIRE-WRAP AND INSERTION AREA LEVEL 2	EVERY ROW , EVERY PITCH	1	NO	SUPERSEDED BY 7-1393637-3
V42254-P2170-C960	1-1393637-2	C96	6,0mm PRESS-IN TERMINALS	EVERY ROW , EVERY PITCH	1	NO	OBSOLETE
V42254-P2260-B640	1-1393637-9	B64	13mm PRESS-IN TERMINALS WITH WIRE-WRAP	EVERY ROW , EVERY PITCH	2	NO	OBSOLETE
V42254-P2260-B640N	2-1393637-0	B64	13mm PRESS-IN TERMINALS WITH WIRE-WRAP	EVERY ROW , EVERY PITCH	2	NO	OBSOLETE
V42254-P2260-C480	2-1393637-2	C48	13mm PRESS-IN TERMINALS WITH WIRE-WRAP	EVERY ROW , EVERY PITCH	2	NO	OBSOLETE
V42254-P2260-C960	2-1393637-3	C96	13mm PRESS-IN TERMINALS WITH WIRE-WRAP	EVERY ROW , EVERY PITCH	2	NO	OBSOLETE
V42254-P2260-C962	2-1393637-5	C96	13mm PRESS-IN TERMINALS WITH WIRE-WRAP	ROW A+B , EVERY PITCH	2	NO	OBSOLETE
V42254-P2260-C963	2-1393637-6	C96	13mm PRESS-IN TERMINALS WITH WIRE-WRAP	ROW A+C , EVERY PITCH	2	NO	OBSOLETE
V42254-P2261-B640	2-1393637-8	B64	17mm PRESS-IN TERMINALS WITH WIRE-WRAP	EVERY ROW , EVERY PITCH	2	NO	OBSOLETE
V42254-P2261-C960	2-1393637-9	C96	17mm PRESS-IN TERMINALS WITH WIRE-WRAP	EVERY ROW , EVERY PITCH	2	NO	
V42254-P2261-C963	3-1393637-0	C96	17mm PRESS-IN TERMINALS WITH WIRE-WRAP	ROW A+C , EVERY PITCH	2	NO	OBSOLETE
V42254-P2263-B320	3-1393637-3	B32	3,7mm PRESS-IN TERMINALS	EVERY ROW , EVERY PITCH	2	NO	OBSOLETE
V42254-P2263-B325	3-1393637-4	B32	3,7mm PRESS-IN TERMINALS	EVERY ROW , EVERY EVEN PITCH	2	NO	OBSOLETE
V42254-P2263-B325N	3-1393637-5	B32	3,7mm PRESS-IN TERMINALS	EVERY ROW , EVERY EVEN PITCH	2	NO	OBSOLETE
V42254-P2263-B640	3-1393637-6	B64	3,7mm PRESS-IN TERMINALS	EVERY ROW , EVERY PITCH	2	NO	SUPERSEDED BY 5650865-5
V42254-P2263-C300	4-1393637-0	C30	3,7mm PRESS-IN TERMINALS	EVERY ROW , EVERY PITCH	2	NO	OBSOLETE
V42254-P2263-C303	4-1393637-2	C30	3,7mm PRESS-IN TERMINALS	ROW A+C , EVERY PITCH	2	NO	OBSOLETE
V42254-P2263-C480	4-1393637-4	C48	3,7mm PRESS-IN TERMINALS	EVERY ROW , EVERY PITCH	2	NO	
V42254-P2263-C480N	4-1393637-5	C48	3,7mm PRESS-IN TERMINALS	EVERY ROW , EVERY PITCH	2	NO	OBSOLETE
V42254-P2263-C483	2-1392009-7	C48	3,7mm PRESS-IN TERMINALS	ROW A+C , EVERY PITCH	2	NO	OBSOLETE
V42254-P2263-C960	4-1393637-6	C96	3,7mm PRESS-IN TERMINALS	EVERY ROW , EVERY PITCH	2	NO	
V42254-P2263-C963	4-1393637-9	C96	3,7mm PRESS-IN TERMINALS	ROW A+C , EVERY PITCH	2	NO	
V42254-P2263-C965	5-1393637-2	C96	3,7mm PRESS-IN TERMINALS	EVERY ROW , EVERY EVEN PITCH	2	NO	OBSOLETE
V42254-P2263-C968	5-1393637-3	C96	3,7mm PRESS-IN TERMINALS	ROW A+C , EVERY EVEN PITCH	2	NO	OBSOLETE
V42254-P2266-B320	6-1393637-2	B32	13mm PRESS-IN TERMINALS WITH WIRE-WRAP AND INSERTION AREA LEVEL 2	EVERY ROW , EVERY PITCH	2	NO	OBSOLETE
V42254-P2266-B640	6-1393637-3	B64	13mm PRESS-IN TERMINALS WITH WIRE-WRAP AND INSERTION AREA LEVEL 2	EVERY ROW , EVERY PITCH	2	NO	OBSOLETE
V42254-P2266-C480	6-1393637-5	C48	13mm PRESS-IN TERMINALS WITH WIRE-WRAP AND INSERTION AREA LEVEL 2	EVERY ROW , EVERY PITCH	2	NO	OBSOLETE
V42254-P2266-C960	6-1393637-6	C96	13mm PRESS-IN TERMINALS WITH WIRE-WRAP AND INSERTION AREA LEVEL 2	EVERY ROW , EVERY PITCH	2	NO	OBSOLETE
V42254-P2266-C963	6-1393637-9	C96	13mm PRESS-IN TERMINALS WITH WIRE-WRAP AND INSERTION AREA LEVEL 2	ROW A+C , EVERY PITCH	2	NO	OBSOLETE
V42254-P2266-C965	7-1393637-0	C96	13mm PRESS-IN TERMINALS WITH WIRE-WRAP AND INSERTION AREA LEVEL 2	EVERY ROW , EVERY EVEN PITCH	2	NO	OBSOLETE
V42254-P2266-C968	7-1393637-1	C96	13mm PRESS-IN TERMINALS WITH WIRE-WRAP AND INSERTION AREA LEVEL 2	ROW A+C , EVERY EVEN PITCH	2	NO	OBSOLETE
V42254-P2267-C960	7-1393637-3	C96	17mm PRESS-IN TERMINALS WITH WIRE-WRAP AND INSERTION AREA LEVEL 2	EVERY ROW , EVERY PITCH	2	NO	
V42254-P2267-C963	7-1393637-4	C96	17mm PRESS-IN TERMINALS WITH WIRE-WRAP AND INSERTION AREA LEVEL 2	ROW A+C , EVERY PITCH	2	NO	OBSOLETE
V42254-P2270-C483	2-1392009-0	C48	6,0mm PRESS-IN TERMINALS	ROW A+C , EVERY PITCH	2	NO	OBSOLETE
V42254-P2270-C960	8-1393637-0	C96	6,0mm PRESS-IN TERMINALS	EVERY ROW , EVERY PITCH	2	NO	OBSOLETE
V42254-P2270-C960N	8-1393637-2	C96	6,0mm PRESS-IN TERMINALS	EVERY ROW , EVERY PITCH	2	NO	OBSOLETE
V42254-P2270-C963	8-1393637-4	C96	6,0mm PRESS-IN TERMINALS	ROW A+C , EVERY PITCH	2	NO	OBSOLETE
V42254-P2270-C963N	8-1393637-6	C96	6,0mm PRESS-IN TERMINALS	ROW A+C , EVERY PITCH	2	NO	OBSOLETE
V42254-P2270-C968	8-1393637-7	C96	6,0mm PRESS-IN TERMINALS	ROW A+C , EVERY EVEN PITCH	2	NO	OBSOLETE
V42254-P2470-C960	1-1393638-2	C96	6,0mm PRESS-IN TERMINALS	EVERY ROW , EVERY PITCH	1	NO	OBSOLETE
V42254-P2470-C963	1-1393638-3	C96	6,0mm PRESS-IN TERMINALS	ROW A+C , EVERY PITCH	1	NO	OBSOLETE

1)

1)


1)

1)

1)

1) CONNECTORS WITHOUT MARKING, IN TE PACKAGING.

ACTIVE PART NUMBERS.
CONTACT TE FOR OTHER CONFIGURATION AVAILABILITY

THIS DRAWING IS A CONTROLLED DOCUMENT.		DN CUVELLIER	07JUN94	 TE Connectivity	
DIMENSIONS: mm		CHK	-		
TOLERANCES UNLESS OTHERWISE SPECIFIED:		APVD	-	NAME	
0 PLC ± - 1 PLC ± - 2 PLC ± - 3 PLC ± - 4 PLC ± - ANGLES ± -		PRODUCT SPEC		RECEPTACLE ASSEMBLY EUROCARD PRESS FIT, TYPES B,C AND SHORT VERSIONS (PN:V42254-P2***-C***-7626)	
MATERIAL		APPLICATION SPEC		SIZE	RESTRICTED TO
FINISH		WEIGHT		A1	00779
CUSTOMER DRAWING		SCALE		NTS	SHEET 2 OF 2
		DRAWING NO		1393637-7	

X-ON Electronics

Largest Supplier of Electrical and Electronic Components

Click to view similar products for [DIN 41612 Connectors](#) category:

Click to view products by [TE Connectivity](#) manufacturer:

Other Similar products are found below :

[004.767](#) [608489050008049](#) [691327-1](#) [74670-0732](#) [74680-0340](#) [75880-0015](#) [76453-0014](#) [86093159ALF](#) [9732967801](#) [QLC260R](#)
[120X10019X](#) [120X10089X](#) [122A10249X](#) [122A11089X](#) [122A13089X](#) [122A10089X](#) [122A10129X](#) [122A10349X](#) [122A13359X](#) [1377391-4](#)
[DIN-048CPC-SR1-MH](#) [1393583-2](#) [1393726-7](#) [140X10129X](#) [143-1913-000](#) [143-1908-000](#) [1484472-1](#) [2110070-1](#) [2110070-2](#) [CBC20T00-](#)
[008FDS5-0-1-002VR](#) [172699-5036](#) [2-1393557-4](#) [2-1437084-2](#) [394506](#) [419-2080-402](#) [419-2085-302](#) [V42254B2202C968](#) [419-2086-201](#) [419-](#)
[2087-002](#) [448657-1](#) [448847-3](#) [5-1393755-9](#) [02990000004](#) [033020](#) [043619](#) [054302](#) [043556](#) [0760557108](#) [09062483201750](#) [0850033067](#)