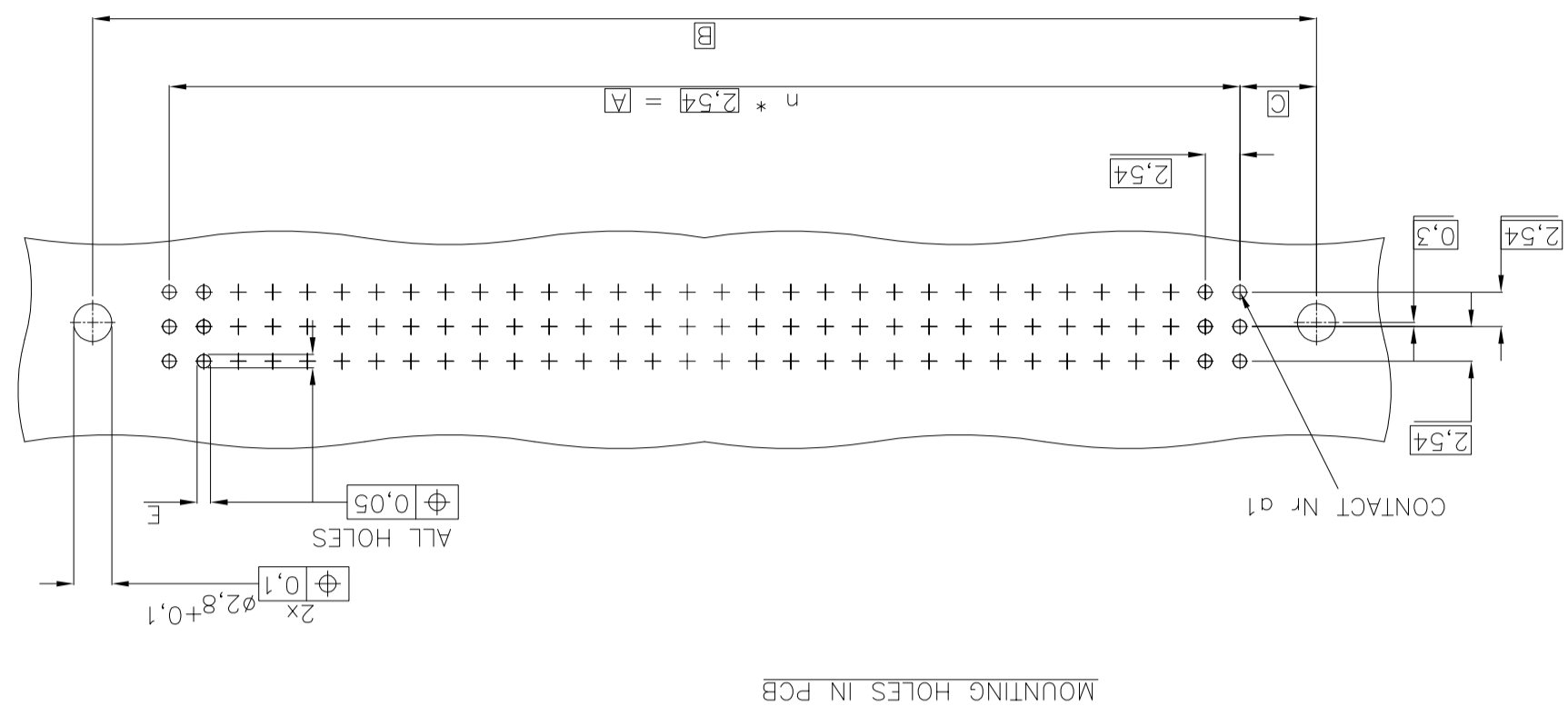
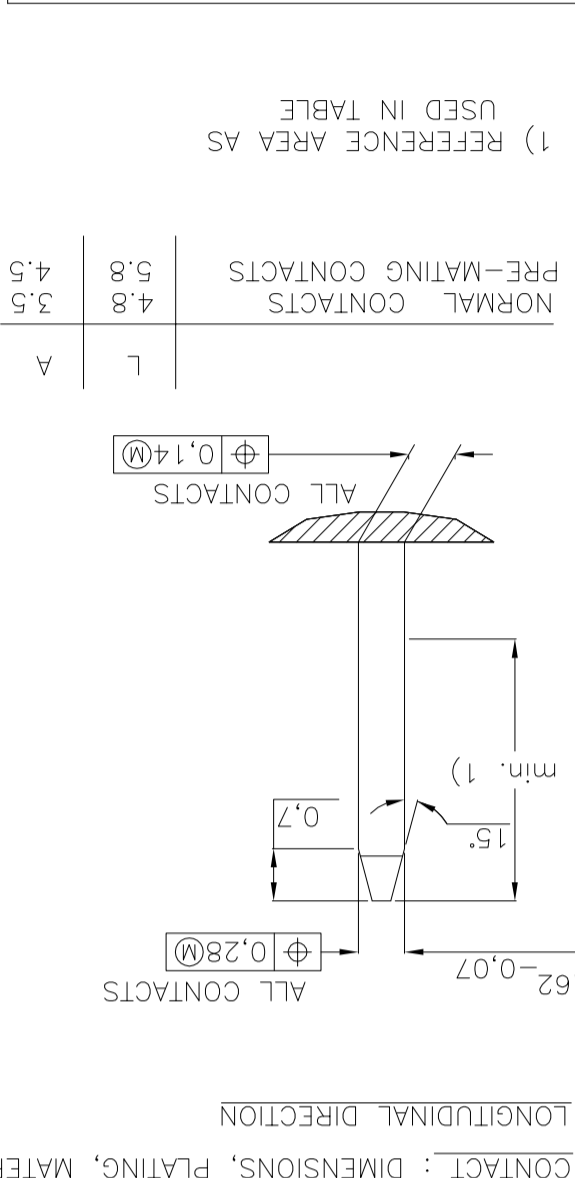
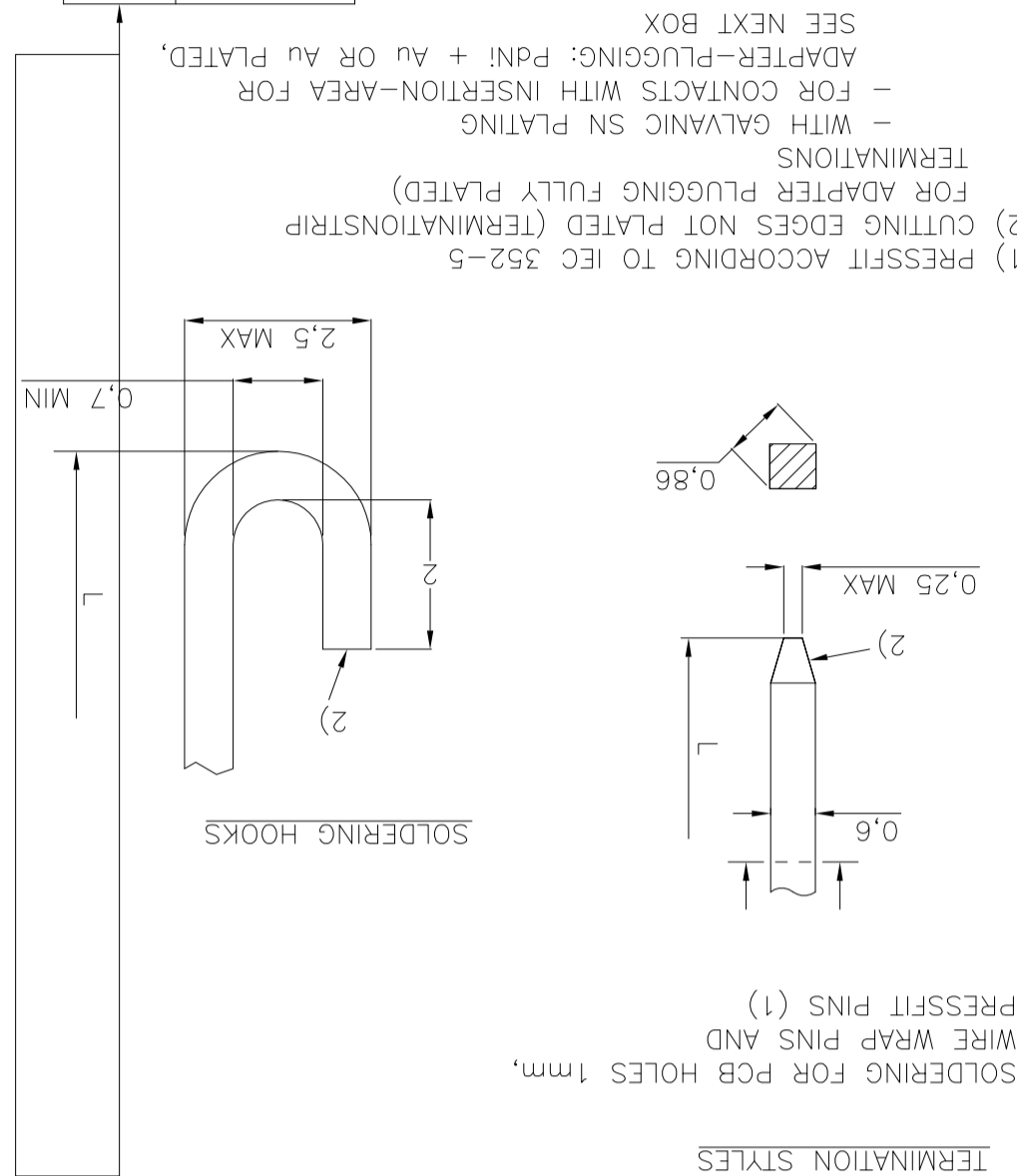


THIS INFORMATION IS CONFIDENTIAL AND PROPRIETARY TO TYCO ELECTRONICS CORPORATION AND ITS WORLDWIDE SUBSIDIARIES AND AFFILIATES. IT MAY NOT BE DISCLOSED TO ANYONE, OTHER THAN TYCO ELECTRONICS CORPORATION, WITHOUT WRITTEN AUTHORIZATION FROM TE (www.te.com).

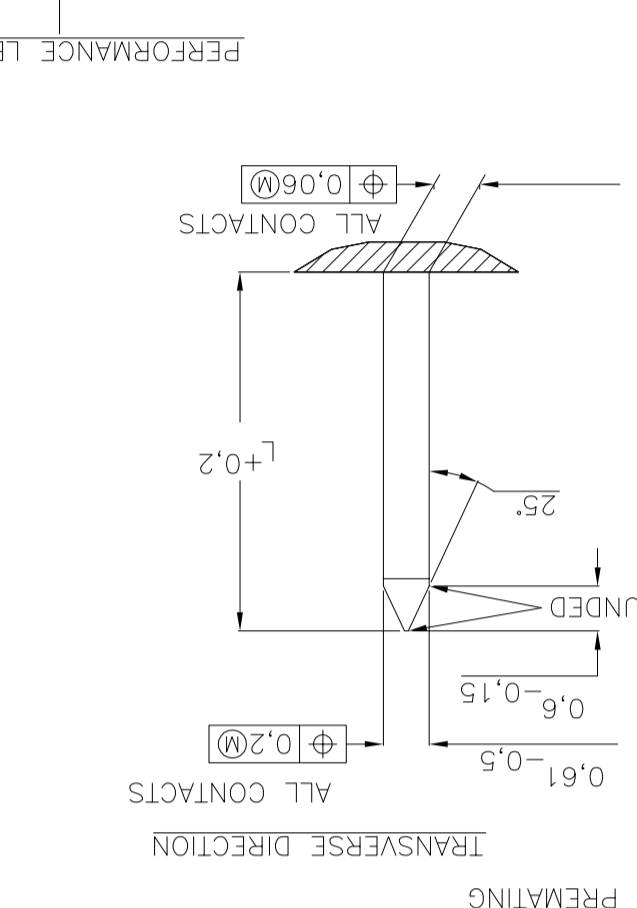
TYPE	n	A	B	C	5.95
0 R	31	28.74	90	5.63	
0/2 R/2	15	38.1	50	5.95	
0/3 R/3	9	22.86	34.76	5.95	
TERMINATION	SOLDER				
	1.0 ±0.1				
	1.0 +0.1				



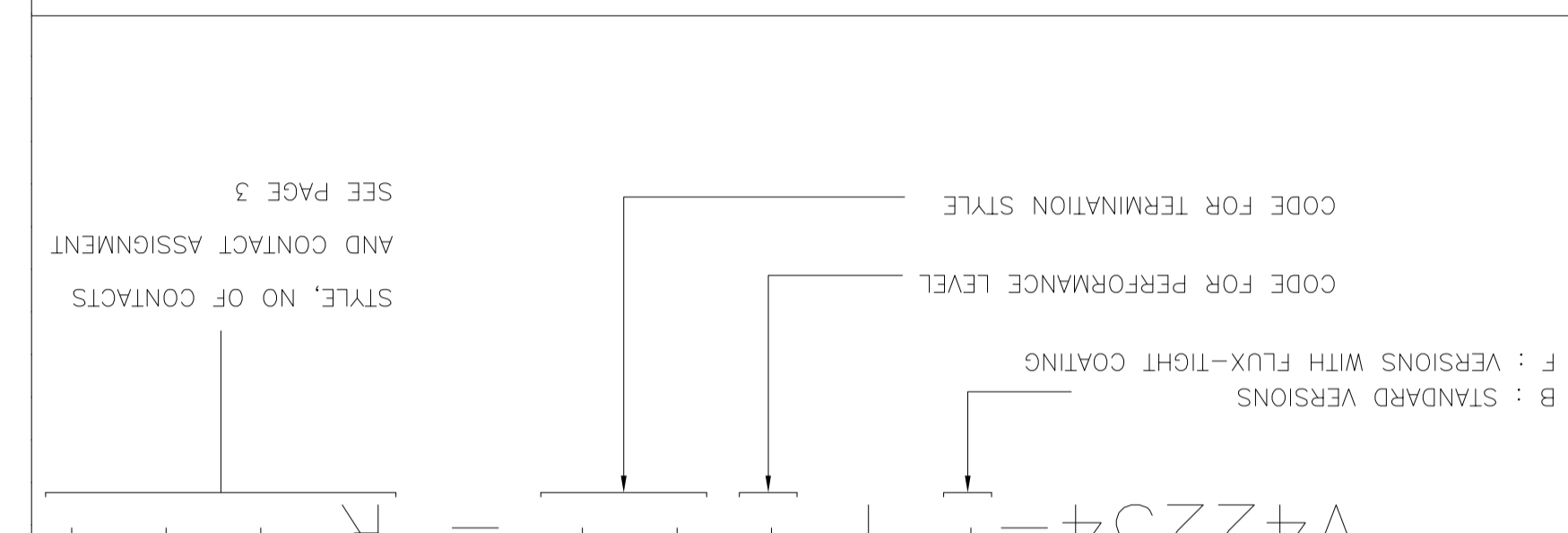
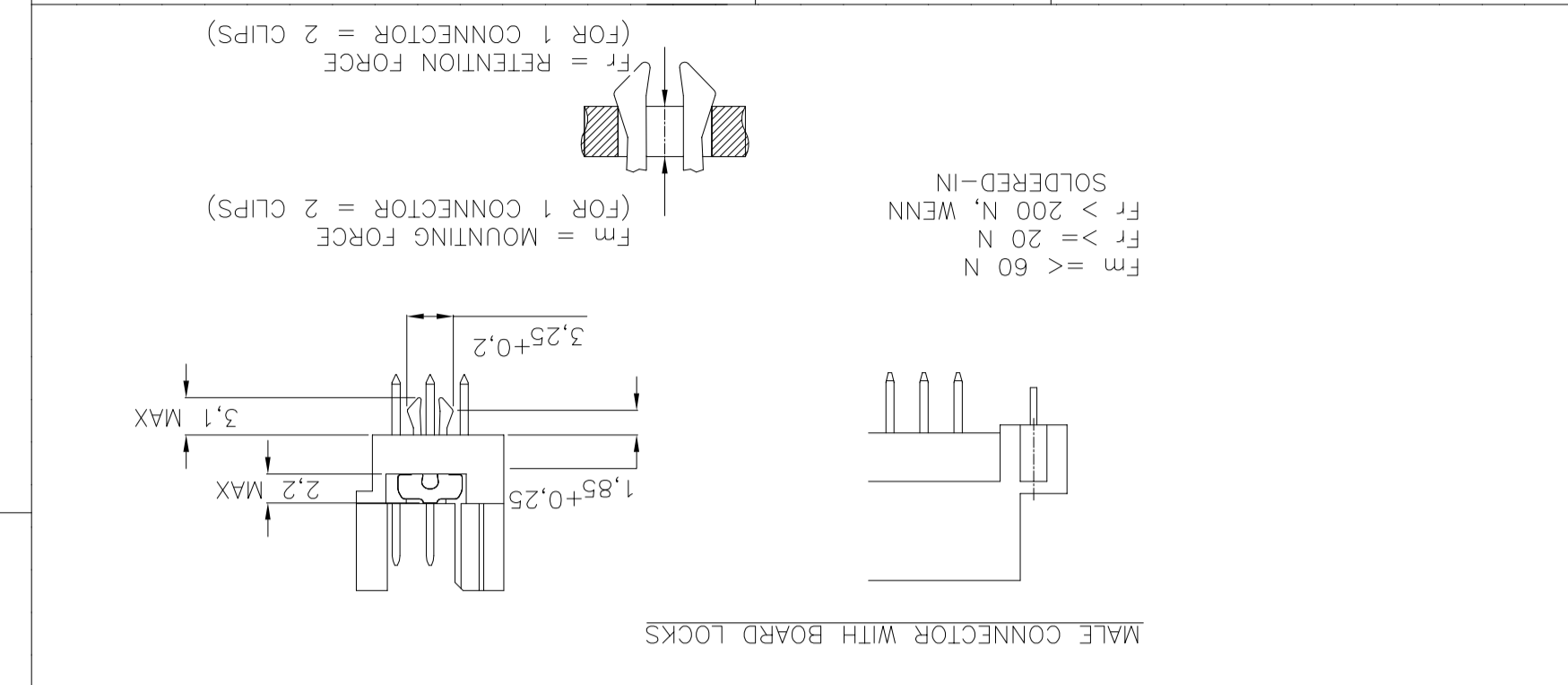
CODE	L
2.9 ±0.3	01
4.5 ±0.3	02
6.3 ±0.3	03
13 ±0.5	40
5.5 ±0.3	30
10 ±0.5	30



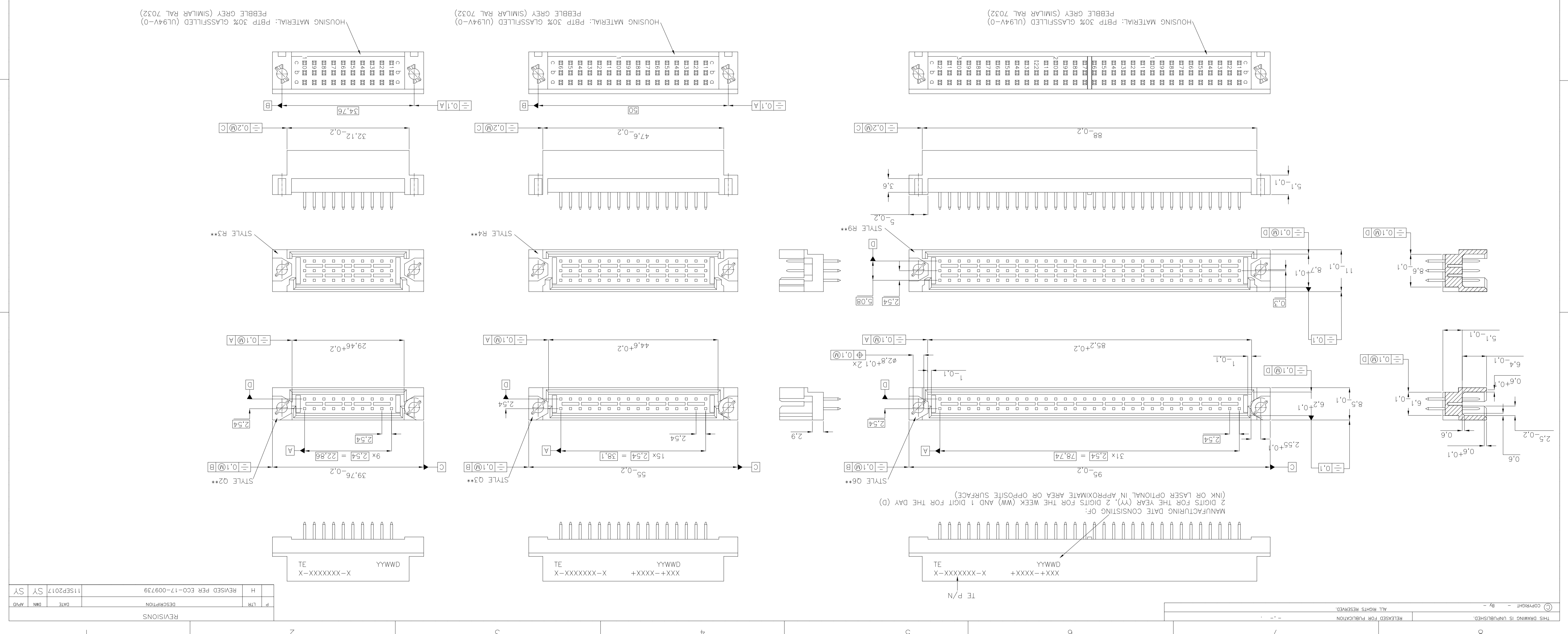
PERFORMANCE NOBLE LEVEL	CLASS I	PdNi + Au or Au	1
	CLASS II	PdNi + Au or Au	2
	CLASS III	PdNi + Au or Au	3



CUSTOMER DRAWING	0
WEIGHT	0
FINISH	0
APPLIC. SPEC	
PRODUCT SPEC	
NAME	
DMN	21F889
CUVLEUR	
TE Connectivity	



V42254-1



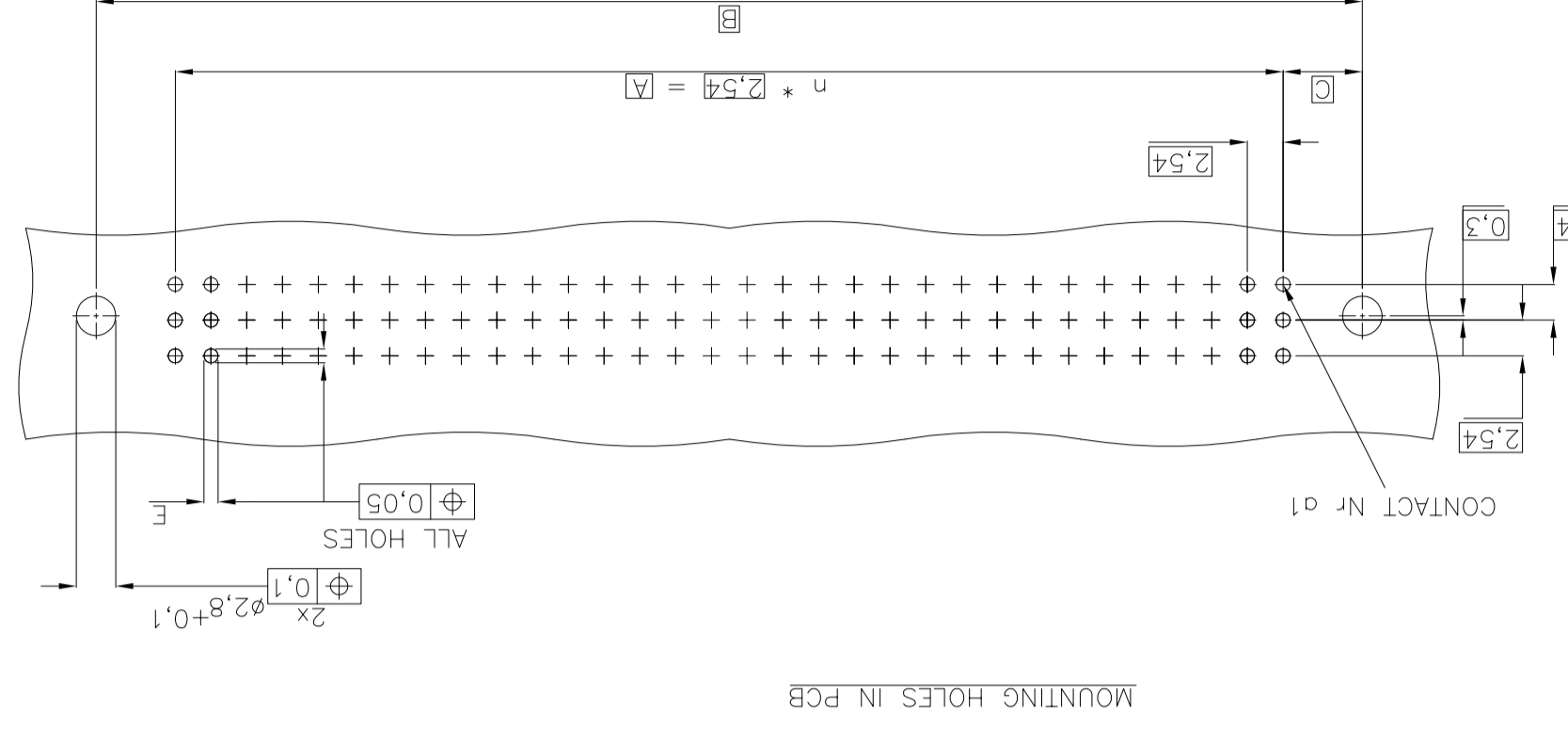
REVISED PER ECO-17-009739	11SEP2017	SY
DESCRIPTION	DATE	DMN
DATE	DMN	APD

THIS INFORMATION IS CONFIDENTIAL AND PROPRIETARY TO TYCO ELECTRONICS CORPORATION AND ITS WORLDWIDE SUBSIDIARIES AND AFFILIATES. IT MAY NOT BE DISCLOSED TO ANYONE, OTHER THAN TYCO ELECTRONICS CORPORATION, WITHOUT WRITTEN AUTHORIZATION FROM TE (www.te.com).

TYPE	n	A	B	C
0 R	31	28.74	90	5.63
0/2 R/2	15	38.1	50	5.95
0/3 R/3	9	22.86	34.76	5.95

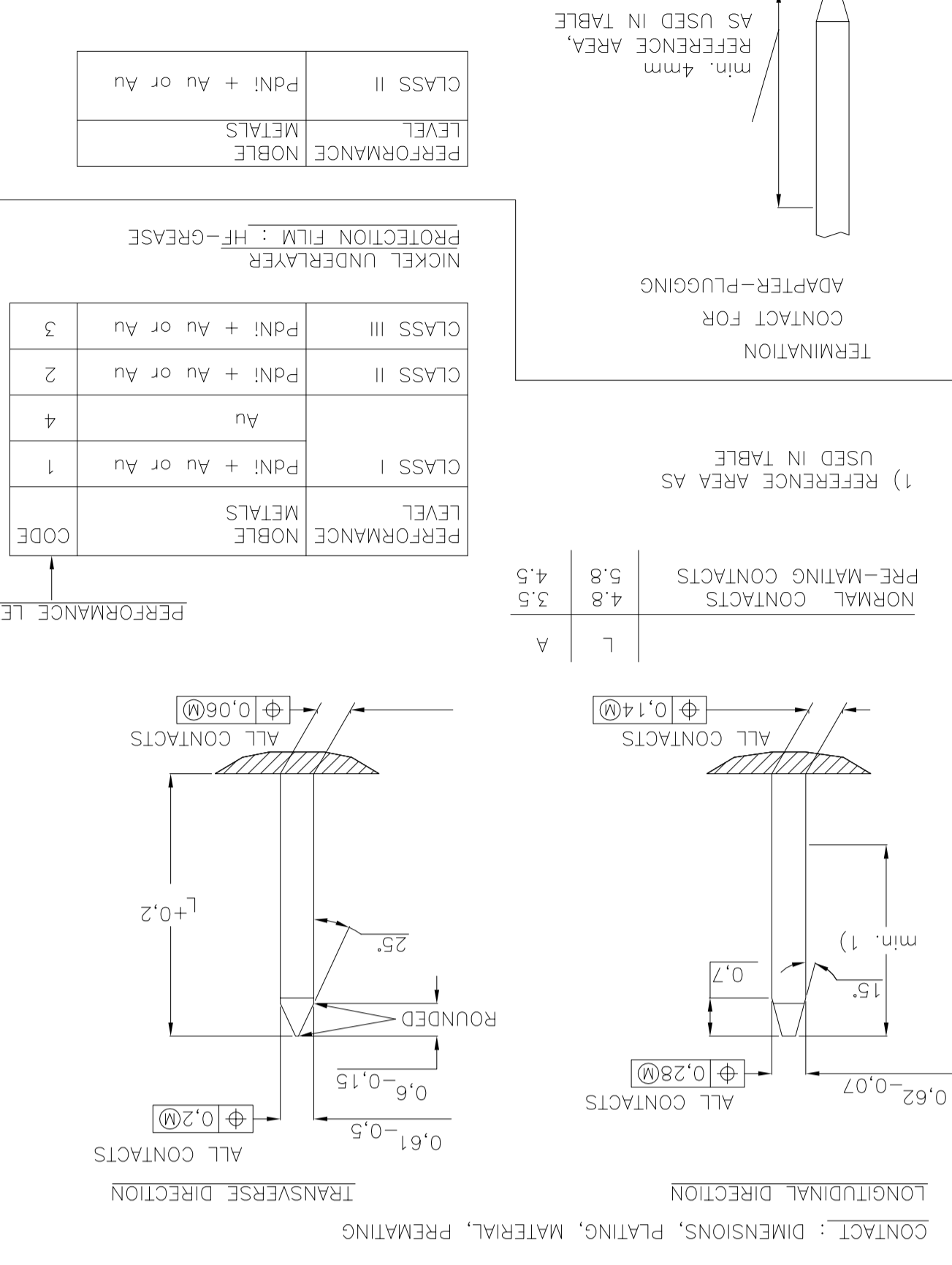
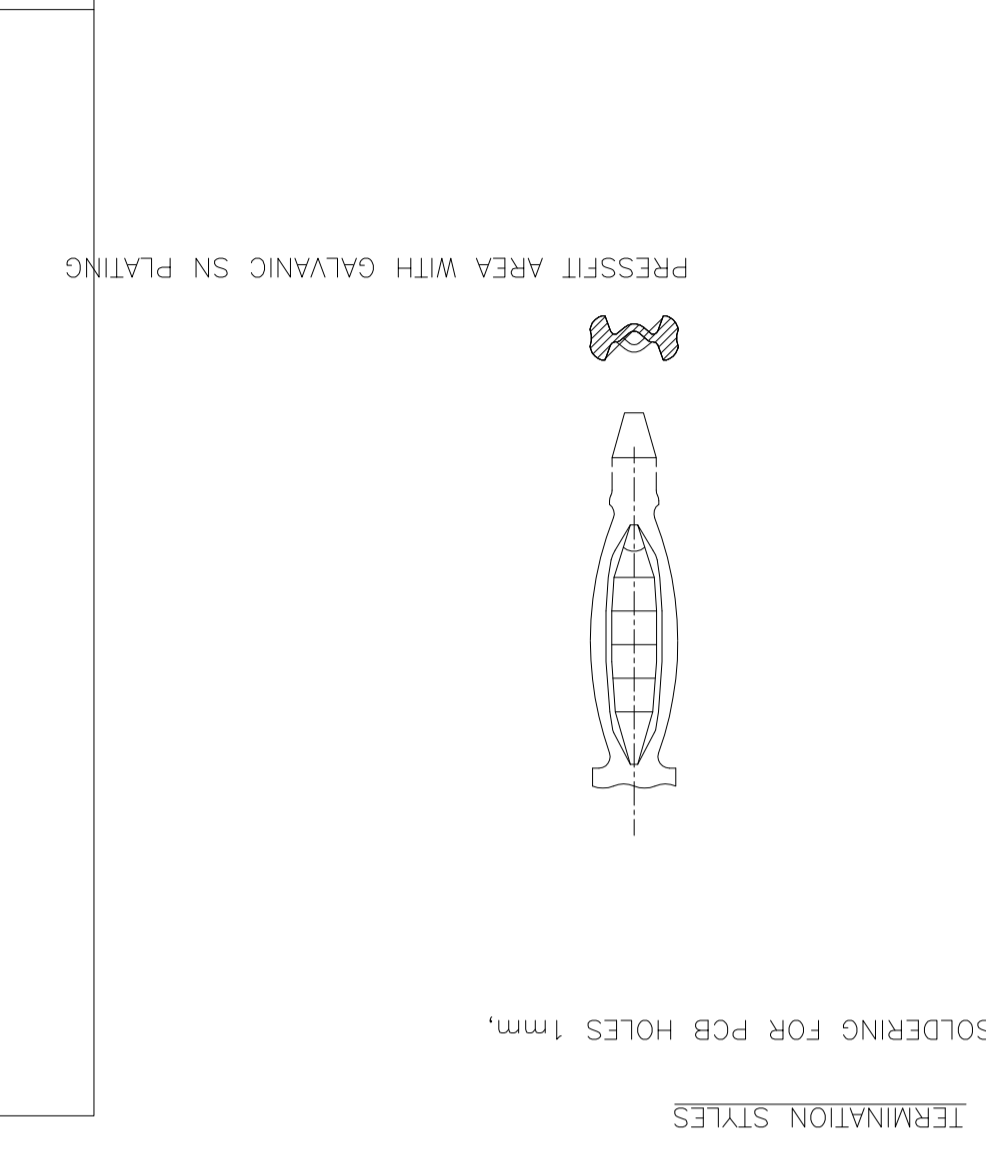
(1) ACC. TO IEC352-5

E	TERMINATION	0.94+0.15
PRESSFIT (1)	TERMINATION	



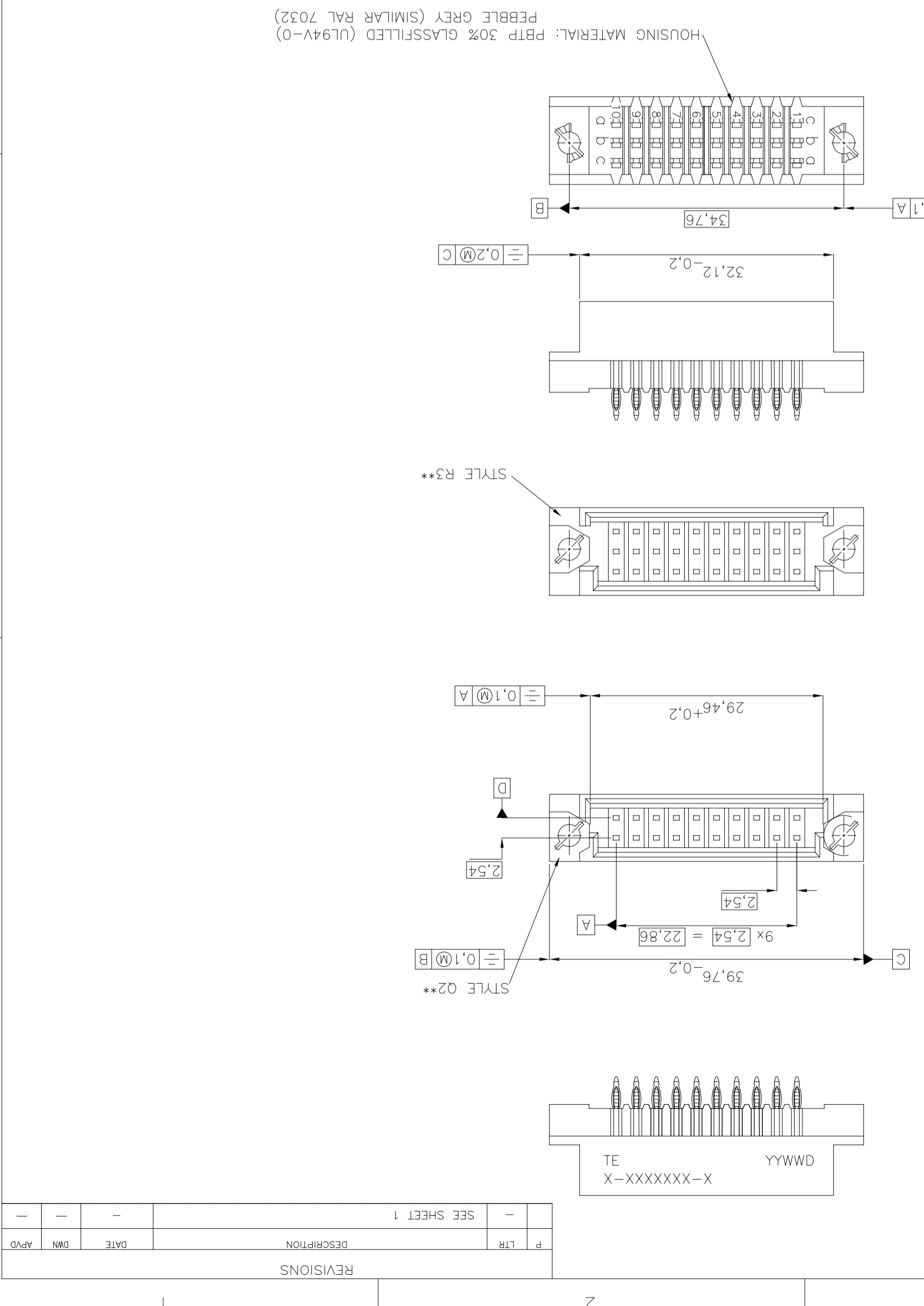
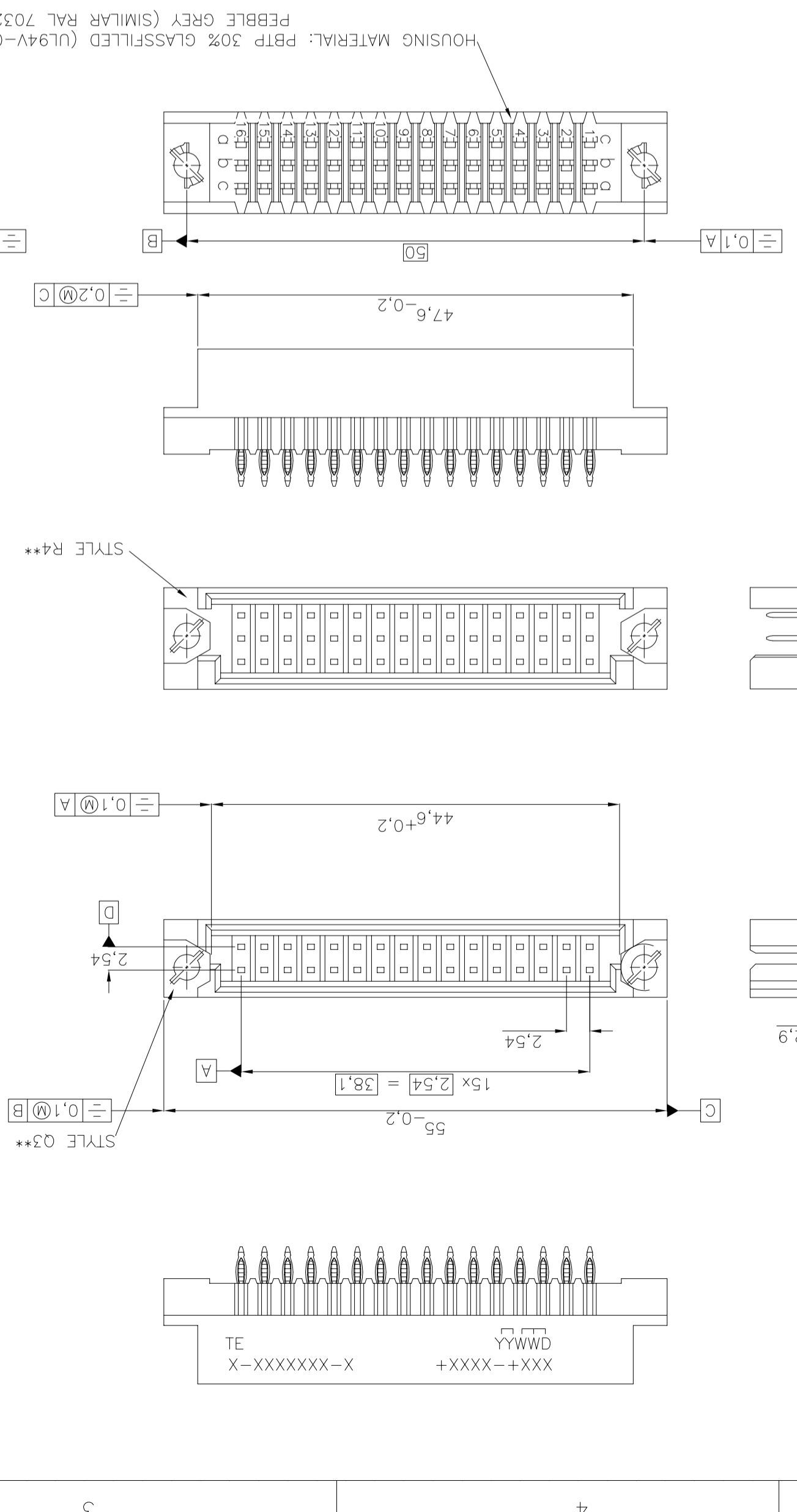
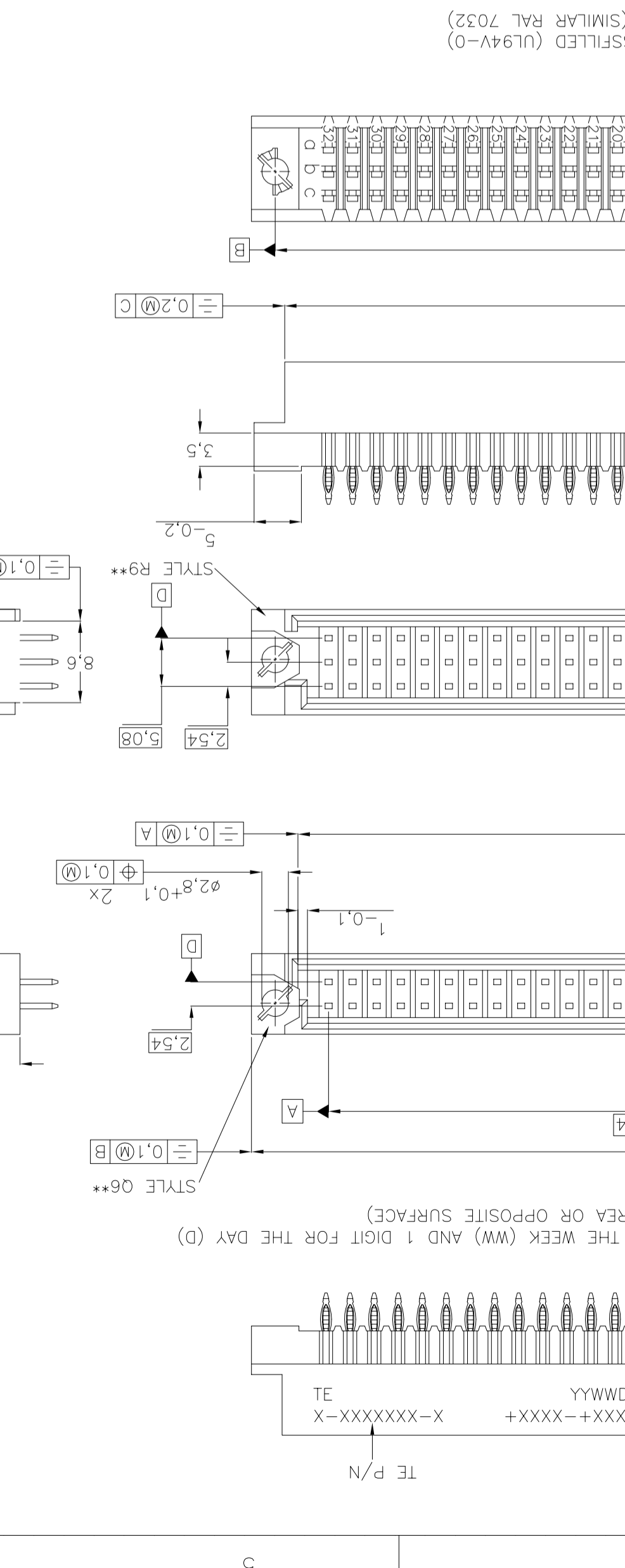
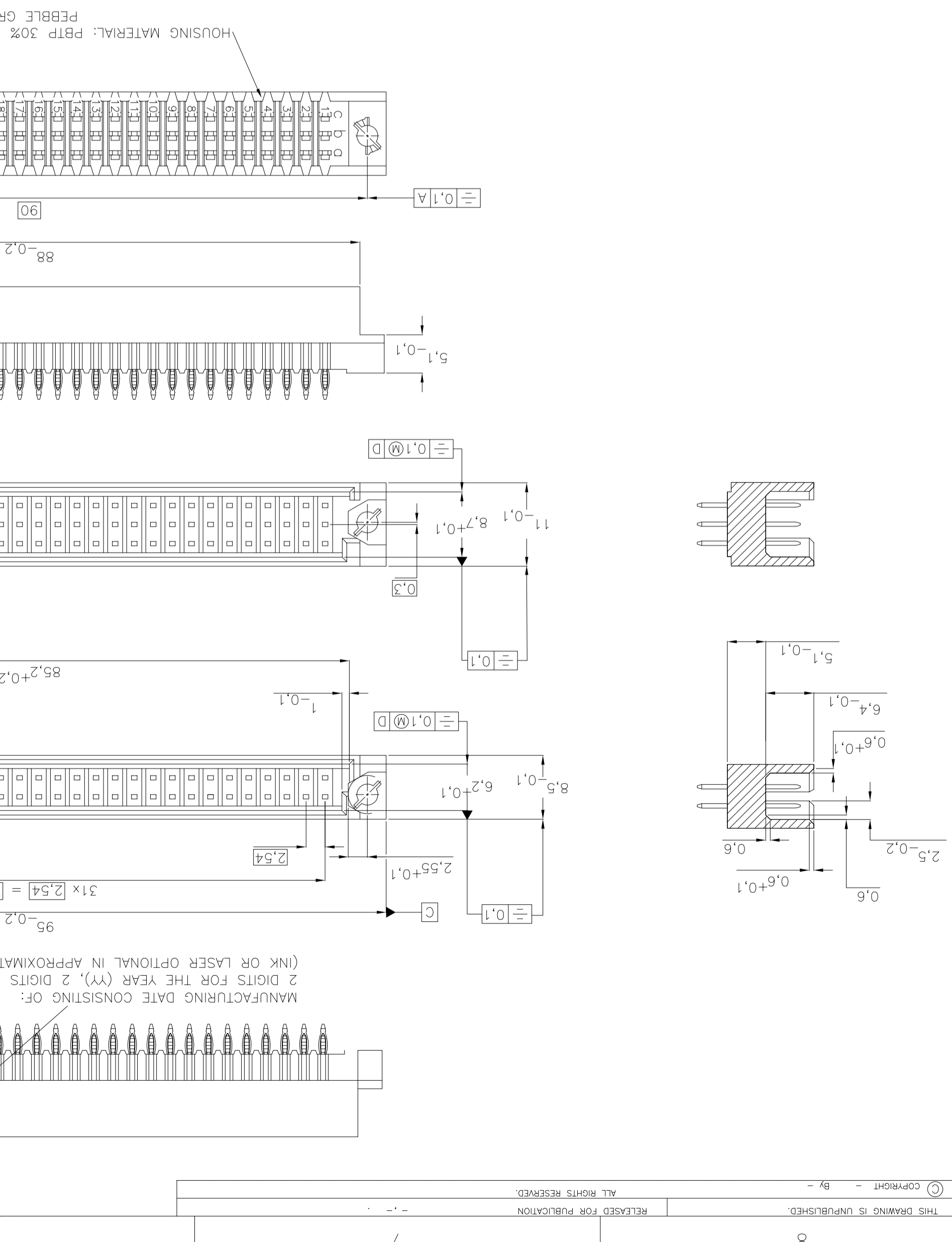
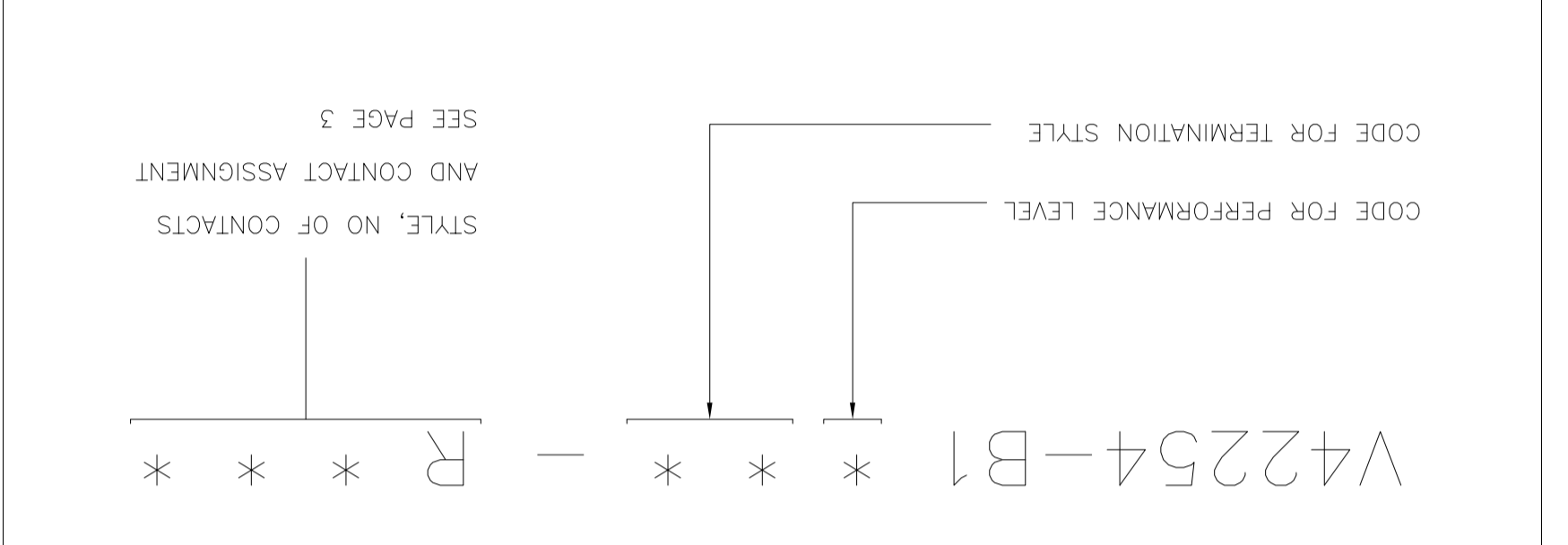
CODE	L
63	4 +0.5
60	13 +0.5
61	17 +0.5
66	13 +0.5
68	20 +0.5

FOR ADAPTER PLUGGING  
PRESSFIT-WRAP PINS  
PRESSFIT-  
FOR ADAPTER PLUGGING



SCALE	NTS
SHEET	2 OF 3
REV	H
RESTRICTED TO	
SIZE	A1
GRADE CODE	00779
DRAWING NO	9-1393501-4
NAME	PIN ASSEMBLY EUROCARD
PRODUCT SPEC	TYPES Q AND R AND SHORT VERSIONS
APPLICATION SPEC	
WEIGHT	
CUSTOMER DRAWING	

FINISH	±
ANGLES	±
1 P/C	±
2 P/C	±
3 P/C	±
4 P/C	±
0 P/C	±
OTHERWISE SPECIFIED	
DIMENSIONS	mm
OTHERWISE SPECIFIED	
DM	
CUVLEBER	21FT889
DM	
THIS DRAWING IS A CONTROLLED DOCUMENT.	



THIS DRAWING IS UNPUBLISHED. RELEASED FOR PUBLICATION. ALL RIGHTS RESERVED. THIS DRAWING IS UNPUBLISHED. RELEASED FOR PUBLICATION. ALL RIGHTS RESERVED.

- 4) ACCORDING TO BT 222 LEVEL 1.
3) CONNECTORS WITH FLUX-TIGHT COATING.
2) NO COMPANY NAME MARKED ON THE CONNECTOR.
1) FIRST AND LAST CONTACT OF EACH LOADED ROW IS A PRE-MATING (MAKE FIRST / BREAK LAST) CONTACT.

ACTIVE PART NUMBERS. CONTACT TE FOR OTHER CONFIGURATION AVAILABILITY.

Table with columns: Part Number, Description, Termination Posts, Style & Number of Position, Loaded Rows, Performance Level, Pre-Mating, Board Locks. Includes rows for various part numbers and their configurations.

Customer Drawing information including material, dimensions, weight, and application specifications. Includes STI logo and company name.

Revisions table with columns: P, LTR, Description, Date, and Rev. Includes a 'SEE SHEET 1' reference.

A

B

C

D

A

B

C

D

## X-ON Electronics

Largest Supplier of Electrical and Electronic Components

*Click to view similar products for [DIN 41612 Connectors](#) category:*

*Click to view products by [TE Connectivity](#) manufacturer:*

Other Similar products are found below :

[09231126901](#) [PCN10F-24P-2.54DS\(72\)](#) [004.767](#) [02221602702](#) [024069](#) [602427301412000](#) [013275](#) [691327-1](#) [74670-0732](#) [74680-0340](#)  
[75880-0015](#) [76453-0014](#) [86093159ALF](#) [923454](#) [QLC260R](#) [120X10099X](#) [120X10019X](#) [120X10089X](#) [120X10129X](#) [121A10039X](#)  
[121A10309X](#) [122A10019X](#) [122A10029X](#) [122A10249X](#) [122A10669X](#) [122A11089X](#) [122A13089X](#) [121B10409X](#) [122A10089X](#)  
[122A10129X](#) [122A10349X](#) [122A13359X](#) [1377391-4](#) [DIN-048CPC-SR1-MH](#) [1393583-2](#) [1393726-7](#) [140X10059X](#) [140X10129X](#) [143-1913-](#)  
[000](#) [143-1908-000](#) [1484472-1](#) [173052](#) [2110070-1](#) [2110070-2](#) [CBC20T00-008FDS5-0-1-002VR](#) [983-0SE12-12P6](#) [17041102202](#) [172699-](#)  
[5036](#) [173051](#) [20](#) [8457096](#) [010](#) [025](#)