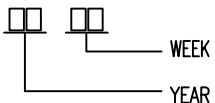


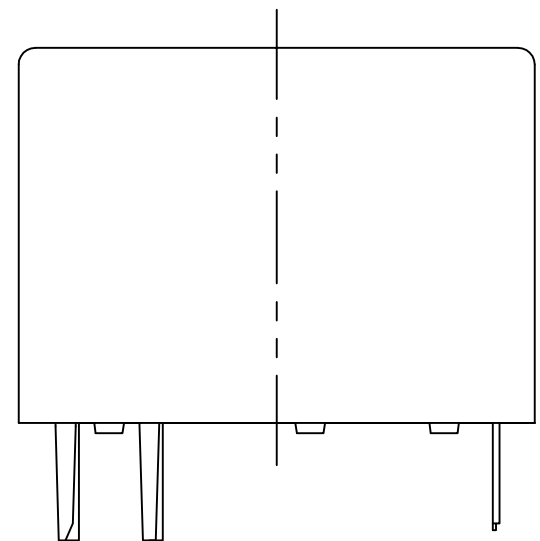
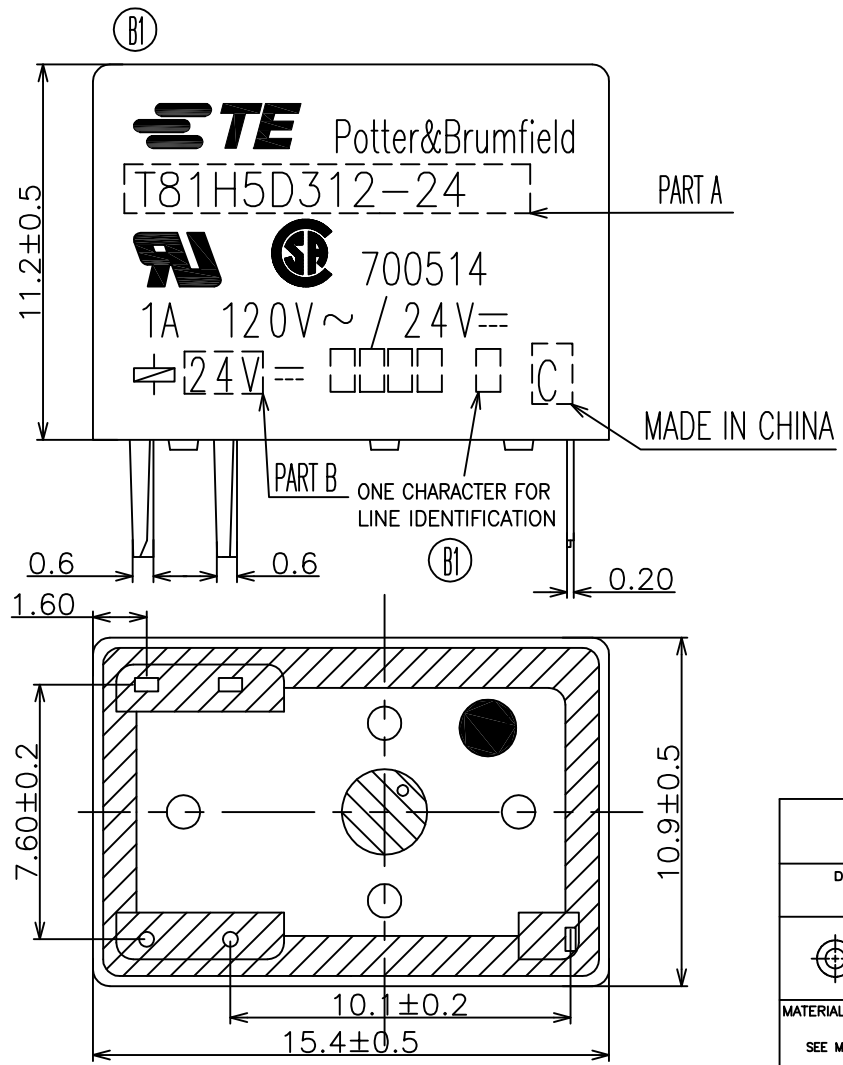
| LOC HB | DIST | REVISIONS | | | | | | |
|-----------|------|-----------|-----|---|---------------|-----------|------|------|
| | | P | LTR | DESCRIPTION | DATE | DWN | APVD | |
| | | B1 | | 1.CHANGE TE LOGO 2.ADD LINE IDENTIFICATION 3.PN OBSOLETE 4.TERMINALS TOLERANCE CLARIFICATION | ECO-11-018616 | 03-MAY-12 | P.L | BH.Y |




GENERAL TOLERANCE

| Diagram dimension | Tolerance |
|-------------------|-----------|
| 0.99mm max. | ±0.1mm |
| 1 - 2.99mm | ±0.2mm |
| 3mm min. | ±0.3mm |

NOTE:
 1.LOT NO. SYSTEM AS FOLLOWING:

 2.TERMINAL DIMENSIONS BEFORE SOLDER DIP
 3.FOR THE TIN-PLATING OF THE PINS:
 +0.1mm FOR WIDTH, THICKNESS AND DIAMETER
 +0.5mm FOR LENGTH

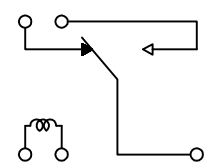


| | | | |
|-----------------------------|--|---|---------------------|
| DWN ZHUAN,ZHOU | |  TE Connectivity | |
| CHK BANGHUA,YU | | | |
| APVD SUYUN ZHANG | | T81 H/N CUSTOMER DRAWING | |
| PRODUCT SPEC | | RESTRICTED TO | |
| APPLICATION SPEC | | SIZE A3 | RESTRICTED TO |
| MATERIAL SEE MATERIAL TABLE | | GAGE CODE | DRAWING NO. 1393779 |
| FINISH | | SCALE 4:1 | SHEET 1 OF 2 |
| RESTRICTED DRAWING | | REV B1 | |

| LOC HB | DIST | REVISIONS | | | | | | |
|-----------|------|-----------|-----|-------------|-----|------|-----|------|
| | | P | LTR | DESCRIPTION | ECN | DATE | DWN | APVD |
| | | | | | | | | |

PC Board Layout(Bottom View)


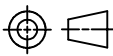
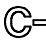
WIRING DIAGRAM (BOTTOM VIEW)



| | | | | | |
|----------|-------------|--------------|--------|--------------|------|
| ACTIVE | 6-1393779-9 | T81N5D312-05 | 5V | T81N5D312-05 | i |
| ACTIVE | 7-1393779-2 | T81N5D312-24 | 24V | T81N5D312-24 | h |
| ACTIVE | 7-1393779-1 | T81N5D312-12 | 12V | T81N5D312-12 | g |
| OBSOLETE | 7-1393779-0 | T81N5D312-09 | 9V | T81N5D312-09 | f |
| ACTIVE | 5-1393779-9 | T81H5D312-24 | 24V | T81H5D312-24 | e |
| ACTIVE | 5-1393779-8 | T81H5D312-12 | 12V | T81H5D312-12 | d |
| OBSOLETE | 5-1393779-7 | T81H5D312-09 | 9V | T81H5D312-09 | c |
| OBSOLETE | 5-1393779-6 | T81H5D312-06 | 6V | T81H5D312-06 | b |
| ACTIVE | 5-1393779-5 | T81H5D312-05 | 5V | T81H5D312-05 | a |
| STATUS | PART NO | DESCRIPTION | PART B | PART A | ITEM |

| | | | | |
|------------------|--------------|-----------|-------------------------|------|
| | | UV | SEAL (FOR SEALED TYPE) | 15 |
| | | SEAL GLUE | SEAL (CASE & BASE) | 14 |
| | | 3UEW | MAGNETIC WIRE | 13 |
| | | HCP WIRE | COIL TERMINAL | 12 |
| | | Ag ALLOY | B CONTACT | 11 |
| | | Ag ALLOY | M CONTACT | 10 |
| | | Ag ALLOY | MOVABLE CONTACT | 9 |
| | | Cu ALLOY | B TERMINAL | 8 |
| | | Cu ALLOY | M TERMINAL | 7 |
| | | Cu ALLOY | MOVABLE SPRING | 6 |
| UL94V-0 | | PBT | BOBBIN | 5 |
| UL94V-0 | | PBT | CASE | 4 |
| | | CSC C | CORE | 3 |
| | CuNi PLATING | SPCC | ARMATURE | 2 |
| | CuNi PLATING | SPCC | YOKE | 1 |
| INCOMBUSTIBILITY | TREATMENT | MATERIAL | DESCRIPTION | ITEM |

(B1)

| | | | | |
|--|---|--------------------|-------------|---|
| DIMENSIONS: mm | TOLERANCES UNLESS OTHERWISE SPECIFIED: 0 PLC ± 1 PLC ± 2 PLC ± 3 PLC ± 4 PLC ± | DWN | ZHUAN,ZHOU |  TE Connectivity |
| | | CHK | BANGHUA,YU | |
|  | MATERIAL SEE MATERIAL TABLE | APVD | SUUNY ZHANG | |
| | | PRODUCT SPEC | | |
| | | APPLICATION SPEC | | |
| | | WEIGHT | | |
| | | FINISH | | |
| | | SIZE | A3 | DRAWING NO  1393779 |
| | | RESTRICTED DRAWING | SCALE 4:1 | |

X-ON Electronics

Largest Supplier of Electrical and Electronic Components

Click to view similar products for [Low Signal Relays - PCB category](#):

Click to view products by [TE Connectivity manufacturer](#):

Other Similar products are found below :

[LZN4-US-DC12](#) [LZNQ4-US-DC24](#) [LZNQ4-US-DC48](#) [6-1393813-4](#) [6-1462039-0](#) [6-1617347-5](#) [6-1617353-3](#) [6-1617529-6](#) [617-12](#)
[M39016/20-054M](#) [M39016/27-030M](#) [67RPCX-3](#) [MAHC-5494](#) [D3493L](#) [7-1393809-0](#) [7-1393813-3](#) [741B8](#) [7556072001](#) [MF-11AM-24](#)
[MF1201N12](#) [MF-17A-24](#) [FBR244D012/02CP](#) [FBR244D024/02CS](#) [80.010.4522.1](#) [FL-4036](#) [FLH-11D-6](#) [831A7](#) [MMS124](#) [FTR-B4GA006Z](#)
[FW1102S06](#) [FW1201S39](#) [FW1210S02](#) [FW1521S01](#) [FW5A1201S14](#) [9-1393813-6](#) [9-1617582-5](#) [G6AK-2-H-DC5](#) [G6E-184P-ST-US-DC48](#)
[G6G234CDC24](#) [A07A939BZ1-0388](#) [A150-0005](#) [PZ-2A2420](#) [HB1-DC6V](#) [HB1-DC9V](#) [R10-14A10-240](#) [R10-14D10-12](#) [R10-5A10-120F](#)
[R10-E1L8-S200](#) [R10-E2468-1](#) [R10-E4Z2-V700](#)