

THIS DRAWING IS UNPUBLISHED. RELEASED FOR PUBLICATION
 © COPYRIGHT - By - TE CONNECTIVITY ALL RIGHTS RESERVED.

LOC	DIST	REVISIONS				
P	LTR	DESCRIPTION	DATE	DWN	APVD	
HB	-	F	REMOVED THE RIB ON THE BASE TO CASE ECO-15-011310	03Nov2015	YS.H	CHL

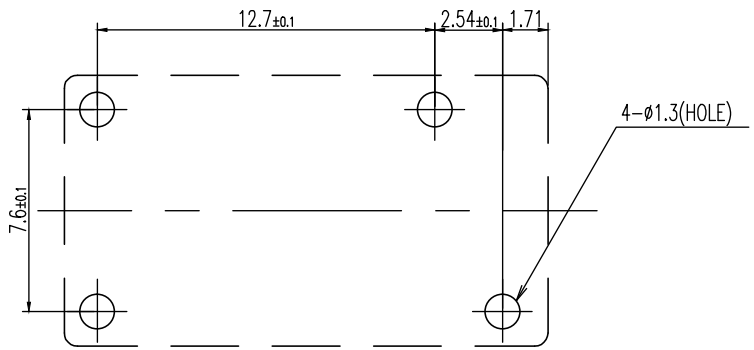
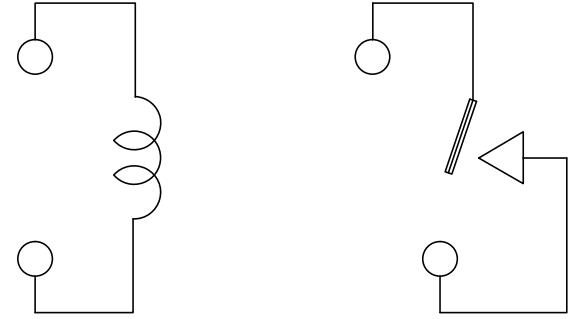
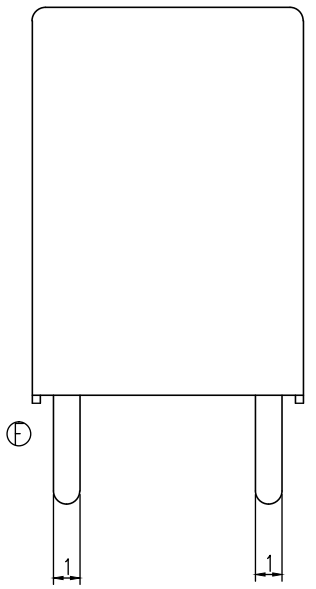
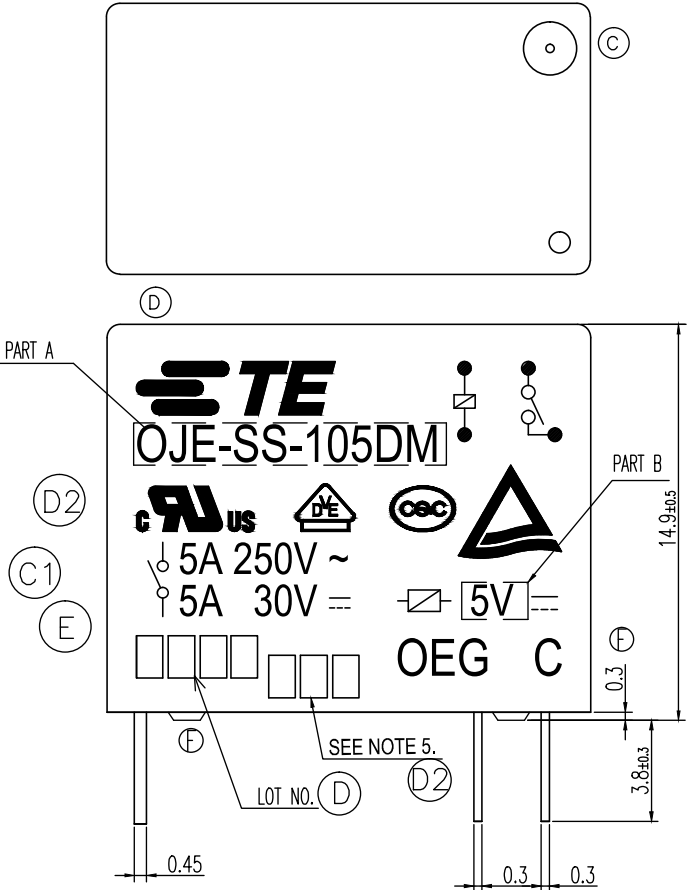
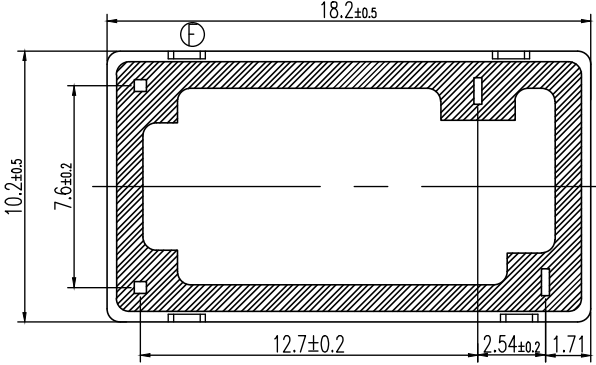


Diagram dimension	Tolerance
0.99mm max.	±0.1mm
1 - 2.99mm	±0.2mm
3mm min.	±0.3mm



THIS DRAWING IS A CONTROLLED DOCUMENT.		DWN	H.Sasaki	-	TE Connectivity				
DIMENSIONS: mm		CHK	Y.Oikawa	-					
TOLERANCES UNLESS OTHERWISE SPECIFIED:		APVD	A.Nagai	-	NAME				
0 PLC ± - 1 PLC ± - 2 PLC ± - 3 PLC ± - 4 PLC ± - ANGLES ± -		PRODUCT SPEC	OJE-SS-DM CUSTOMER DRAWING						
MATERIAL		APPLICATION SPEC	-						
FINISH		WEIGHT	-						
		SIZE	A3	CAGE CODE	00779	DRAWING NO	1461104	RESTRICTED TO	-
		CUSTOMER DRAWING		SCALE	5:1	SHEET	1 OF 2	REV	F

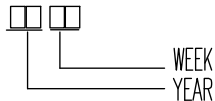
THIS DRAWING IS UNPUBLISHED. RELEASED FOR PUBLICATION -.-
 © COPYRIGHT - By - TE CONNECTIVITY ALL RIGHTS RESERVED.

LOC	DIST	REVISIONS					
HB	-	P	LTR	DESCRIPTION	DATE	DWN	APVD
		-		SEE SHEET 1	-	-	-

1461104-3	OJE-SS-148DM	108-79033	48V	OJE-SS-148DM	g
6-1419128-2	OJE-SS-124DM	108-79032	24V	OJE-SS-124DM	f
4-1419128-2	OJE-SS-112DM	108-79031	12V	OJE-SS-112DM	e
3-1419128-3	OJE-SS-109DM	108-79030	9V	OJE-SS-109DM	d
3-1419128-1	OJE-SS-106DM	108-79029	6V	OJE-SS-106DM	c
2-1419128-8	OJE-SS-105DM	108-79028	5V	OJE-SS-105DM	b
1461104-1	OJE-SS-103DM	108-79027	3V	OJE-SS-103DM	a
PART NO	TYPE NAME	PRODUCT SPEC	PART B	PART A	TYPE

RELAY TYPE

ⓓ Ⓞ NOTES:
 1.LOT NO. SYSTEM AS FOLLOWING:

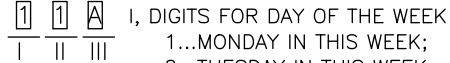


ⓓ 2.TERMINAL DIMENSION IS BEFORE SOLDER DIP;

ⓓ 3.FOR THE TIN-PLATING OF THE PINS:
 +0.1mm FOR WIDTH,THICKENSS AND DIAMETER.
 +0.5mm FOR LENGTH.

Ⓞ ⓓ 4.USED WELDED CONTACT&LASER MARKING.

ⓓ 5.ADD LOT NO. SYSTEM AS FOLLOWING;



I, DIGITS FOR DAY OF THE WEEK
 1...MONDAY IN THIS WEEK;
 2...TUESDAY IN THIS WEEK;

 7...SUNDAY IN THIS WEEK
 II, DIGITS FOR SHIFT OF THE DAY
 1...DAY SHIFT IN THIS DAY;
 2...NIGHT SHIFT IN THIS DAY;
 III, ONE CHARACTER

DISTINGUISH THE LINE
 IDENTITY, SUCH AS: A,B.....Z

		EPOXY RESIN	SEAL	15
		JUEW	MAGNETIC WIRE	14
94V-0		P.B.T	CASE	13
94V-0		P.B.T	BASE	12
94V-0		P.B.T	BOBBIN	11
	SOLDER DIP	C.P WIRE	COIL TERMINAL	10
94V-0		P.P.S	CARD	9
		Ag ALLOY	MOVABLE CONTACT	8
		Ag	NO.CONTACT	7
		STEEL	HINGE SPRING	6
	SOLDER DIP	PBP	NO.TERMINAL	5
	SOLDER DIP	PBS	MOVABLE SPRING	4
	NIP	STEEL	CORE	3
	NIP	STEEL	ARMATURE	2
	NIP	STEEL	YOKE	1
INCOMBUSTIBILITY	TREATMENT	MATERIAL	DESCRIPTION	ITEM

THIS DRAWING IS A CONTROLLED DOCUMENT.		DWN	H.Sasaki	-
DIMENSIONS: mm		CHK	Y.Oikawa	-
TOLERANCES UNLESS OTHERWISE SPECIFIED:		APVD	A.Nagai	-
0 PLC ± -		PRODUCT SPEC	NAME	
1 PLC ± -		APPLICATION SPEC	OJE-SS-DM CUSTOMER DRAWING	
2 PLC ± -			SIZE	A3
3 PLC ± -			CAGE CODE	00779
4 PLC ± -			DRAWING NO	1461104
ANGLES ± -		WEIGHT	RESTRICTED TO	
FINISH		CUSTOMER DRAWING		
MATERIAL		SCALE 5:1 SHEET 2 OF 2 REV F		



X-ON Electronics

Largest Supplier of Electrical and Electronic Components

Click to view similar products for [General Purpose Relays](#) category:

Click to view products by [TE Connectivity](#) manufacturer:

Other Similar products are found below :

[PCN-105D3MH,000](#) [59641F200](#) [LY1SAC110120](#) [5X827E](#) [5X837F](#) [5X840F](#) [5X842F](#) [5X848E](#) [LY2N-AC120](#) [LY2S-AC220/240](#) [LY2-US-AC120](#) [LY3-US-AC120](#) [LY4F-UA-DC12](#) [LY4F-UA-DC24](#) [LY4F-US-AC120](#) [LY4F-US-AC240](#) [LY4F-US-DC24](#) [LY4F-VD-AC110](#) [LYQ20DC12](#) [M115C60](#) [M115N010](#) [M115N0150](#) [6031007G](#) [603-12D](#) [61211T0B4](#) [61212T400](#) [61222Q400](#) [61243B600](#) [61243C500](#) [61243Q400](#) [61311BOA2](#) [61311BOA6](#) [61311BOA8](#) [61311C0A2](#) [61311COA1](#) [61311COA6](#) [61311F0A2](#) [61311QOA1](#) [61311QOA4](#) [61311T0D6](#) [61311TOA6](#) [61311TOA7](#) [61311TOB3](#) [61311TOB4](#) [61311U0A6](#) [61312Q600](#) [61312T400](#) [61312T600](#) [61313U200](#) [61313U400](#)