

4 3 2 1

THIS DRAWING IS UNPUBLISHED. RELEASED FOR PUBLICATION REVISIONS

© COPYRIGHT - TE Connectivity Ltd. ALL RIGHTS RESERVED.

P	LTR	DESCRIPTION	DATE	DWN	APVD
	A	INITIAL RELEASE	25JUL2019	RV	DH

2112  
(TYPE1, DPDT)  
A \* \* \*

AC VOLT.

ENCL. CODE	ENCLOSURE	PART NO.
H1	HERM. SEALED, PIN CONN.	32768-01
H2	HERM. SEALED, OCTAL CONN.	32769-01
H3	HERM. SEALED, MS CONN.	32770-01
4&4M	OCTAL CONN, ADJ.	32771-01
5&5M	OCTAL CONN, FIXED	32772-01
9&9M	PIN CONN, FIXED	32773-01
14	PIN CONN, ADJ.	32877-01
H21	HERM. SEALED, ADJ.	32774-01
H39	HERM. SEALED, TB CONN.	32775-01
H103	HERM. SEALED, PIN CONN.	32776-01
H116	HERM. SEALED, HEADER CONN.	32777-01
H49	HERM. SEALED, SPL. BRACKET	32852-01
H32	HERM. SEALED, FIXED	32860-01

VOLT. CODE	VOLTAGE	FREQ. HZ.	COIL ASSY. PART NO.
B	12V	60	32227-01
D	24V	60	32227-02
E	48V	60	32227-03
G	60V	60	32227-04
J	208V	60	32227-05
L	440V	60	32227-06
S(1)	120V	60	32227-07
T	240V	60	32227-13
U	115V	25-400	32227-14
V	480V	60	32227-15

TIME CODE	RANGE	TIME COMP. ASS'Y P/N	TIME HEAD ASS'Y P/N
A	.03-.1 SEC.	32622-01	32606-04
B	.1-.3 SEC.	32622-02	
C	.15-1 SEC.	32622-03	
D	.375-3.0 SEC.	32622-04	
E	.75-10.0 SEC.	32622-05	
F	1.0-30 SEC.	32622-06	
G	2.0-60 SEC.	32622-07	
H	5-120 SEC.	32622-08	
J	5-180 SEC.	32622-09	
K	1.5-30 CYC.	32622-10	
L	3.0-120.0 CYC.	32622-11	

TERM. BLOCK ASS'Y P/N	
32623-01	

HDWR. ASS'Y P/N	
32661-01	
W/H116 ENCL.	32661-02
W/H21 ENCL.	32661-03
W/U COIL	32661-01
W/U COIL&H116	32661-02
W/U COIL&H21	32661-03
W/5&9 ENCL.	32661-04

PACKING ASS'Y P/N	
32811-01	

Ordering Information for Industrial Models

Typical Part No. > 21 1 2 D 4 N B

**1. Basic Series:**  
21 = 2100 Miniature electropneumatic timing relay

**2. Operation:**  
1 = On-delay 2 = Off-delay

**3. Contact Arrangement:**  
2 = DPDT (2 form C)

**4. Operating Voltage:**  
A = AC D = DC

**5. Physical Characteristics:**

Code	Enclosure	Adjustment	Connector	Mounting
4 =	Unsealed	External Knob	Octal Plug	Chassis Mount
5 =	Unsealed	Internal Key	Octal Plug	Chassis Mount
9 =	Unsealed	Internal Key	Solder Hook	Panel Mount Plate

**6. Coil Voltage:**  
M = 12VDC N = 28VDC P = 48VDC R = 110VDC Y = 125VDC  
S = 120VAC, 50/60 Hz. T = 240VAC, 60 Hz.

**7. Timing Range:**  
A = .03 to .1 sec. C = .15 to 1.0 sec. E = .75 to 10.0 sec. H = 5.0 to 120.0 sec. K = 1.5 to 30.0 cycles  
B = .1 to .3 sec. D = .375 to 3.0 sec. F = 1.0 to 30.0 sec. J = 5.0 to 180.0 sec. L = 3.0 to 120.0 cycles  
G = 2.0 to 60.0 sec.

Ordering Information for Hermetically Sealed & Unsealed Models

Typical Part No. > 21 1 2 D H1 N B

**1. Basic Series:**  
21 = 2100 Miniature electropneumatic timing relay

**2. Operation:**  
1 = On-delay 2 = Off-delay

**3. Contact Arrangement:**  
2 = DPDT (2 form C)

**4. Operating Voltage:**  
A = AC D = DC

**5. Physical Characteristics:**


Code	Enclosure	Adjustment	Connector	Mounting
H1 =	Hermetically Sealed	External Screw	Solder Hook	Panel Mount Plate
H2 =	Hermetically Sealed	External Screw	Octal Plug	Chassis Mount
H3 =	Hermetically Sealed	External Screw	"AN" Connector	Panel Mount Plate
4 =	Unsealed	External Knob	Octal Plug	Chassis Mount
5 =	Unsealed	Internal Key	Octal Plug	Chassis Mount
9 =	Unsealed	Internal Key	Solder Hook	Panel Mount Plate

**6. Coil Voltage:**  
M = 12VDC N = 28VDC P = 48VDC R = 110VDC Y = 125VDC  
S = 120VAC, 50/60 Hz. T = 240VAC, 60 Hz. U = 115VAC, 400 Hz.

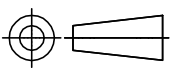
**7. Timing Range:**  
A = .03 to .1 sec. C = .15 to 1.0 sec. E = .75 to 10.0 sec. H = 5.0 to 120.0 sec. K = 1.5 to 30.0 cycles  
B = .1 to .3 sec. D = .375 to 3.0 sec. F = 1.0 to 30.0 sec. J = 5.0 to 180.0 sec. L = 3.0 to 120.0 cycles  
G = 2.0 to 60.0 sec.

Our authorized distributors are more likely to maintain the following items in stock for immediate delivery.

None at present.



THIS DRAWING IS A CONTROLLED DOCUMENT.

DIMENSIONS:	TOLERANCES UNLESS OTHERWISE SPECIFIED:	DWN	25JUL2019
INCHES	0 PLC ± -	RV	
	1 PLC ± -	CHK	25JUL2019
	2 PLC ± -	RV	
	3 PLC ± -	APVD	25JUL2019
	4 PLC ± -	DH	
ANGLES ± -		NAME	
MATERIAL	FINISH	2100 SERIES TIMING RELAY	



TE Connectivity

SIZE	CAGE CODE	DRAWING NO	RESTRICTED TO
A3	xxxx	2100-SERIES	-

CUSTOMER DRAWING SCALE NTS SHEET 1 of 2 REV A

1470-19 (1/15)

THIS DRAWING IS UNPUBLISHED.

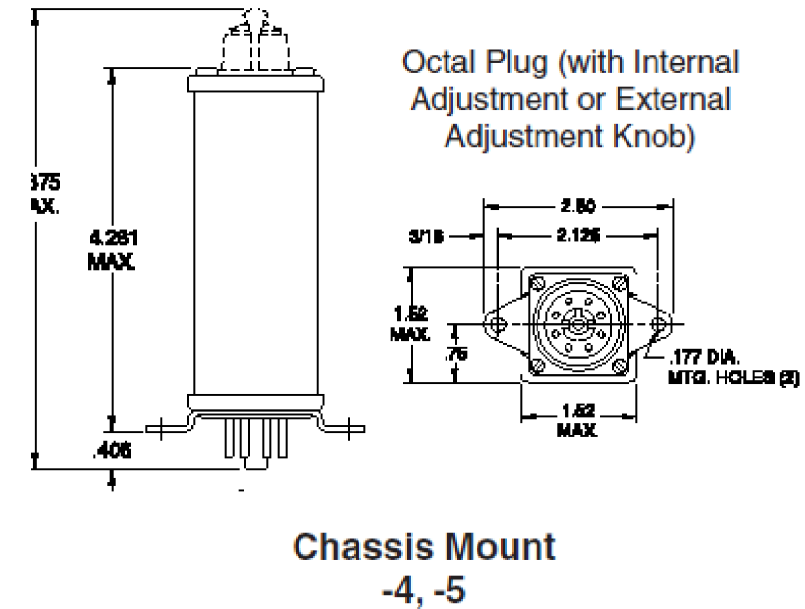
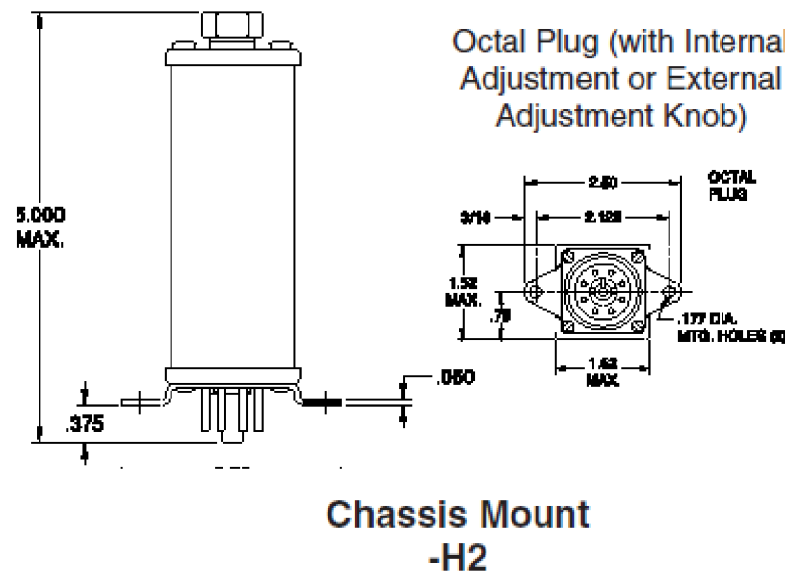
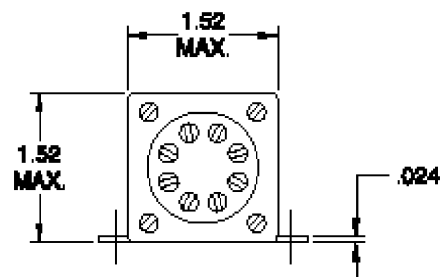
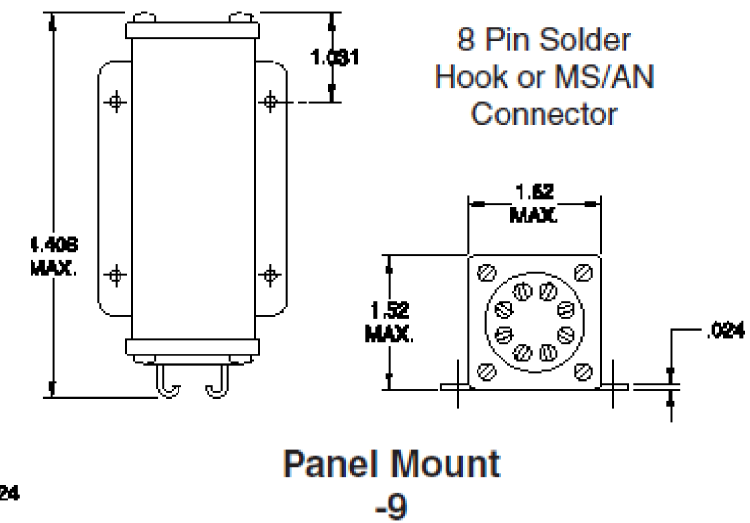
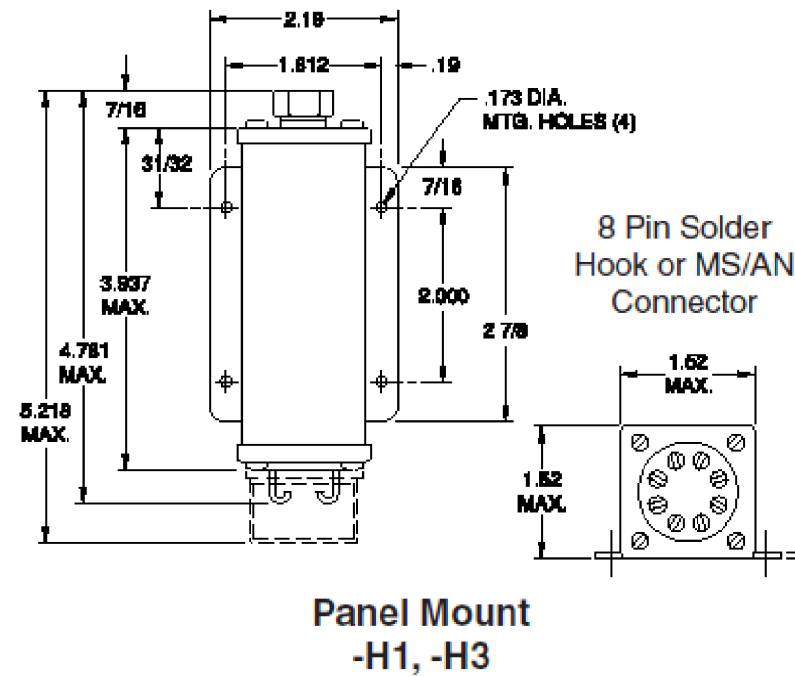
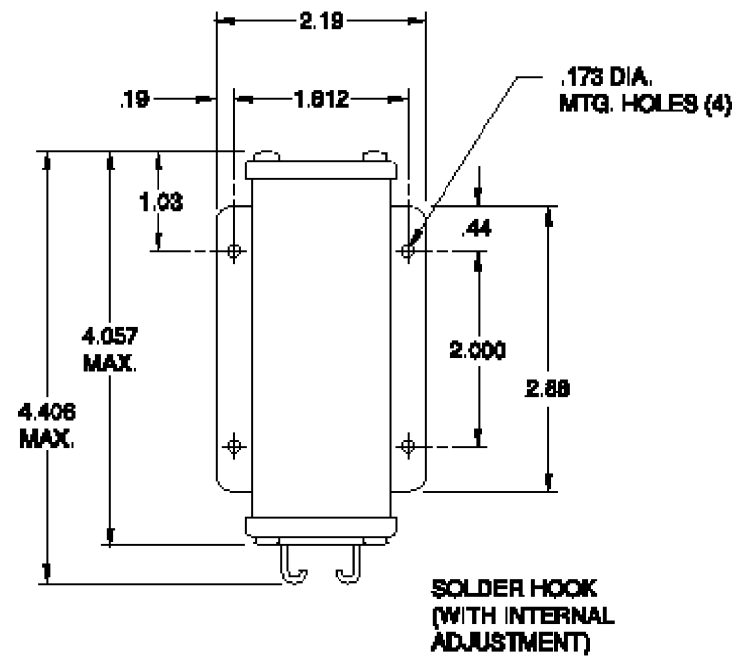
RELEASED FOR PUBLICATION

ALL RIGHTS RESERVED.

© COPYRIGHT - TE Connectivity Ltd.

REVISIONS

P	LTR	DESCRIPTION	DATE	DWN	APVD
-	-	SEE SHEET 1	-	-	-



THIS DRAWING IS A CONTROLLED DOCUMENT.

DWN RV 25JUL2019

CHK RV 25JUL2019

APVD DH 25JUL2019

PRODUCT SPEC

APPLICATION SPEC

WEIGHT -

CUSTOMER DRAWING



NAME

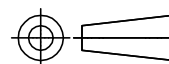
2100 SERIES TIMING RELAY

SIZE CAGE CODE DRAWING NO RESTRICTED TO

A3 - C=2100-SERIES -

SCALE NTS SHEET 2 of 2 REV A

DIMENSIONS: INCHES



TOLERANCES UNLESS OTHERWISE SPECIFIED:

- 0 PLC ± -
- 1 PLC ± -
- 2 PLC ± -
- 3 PLC ± -
- 4 PLC ± -
- ANGLES ± -
- FINISH -

## X-ON Electronics

Largest Supplier of Electrical and Electronic Components

*Click to view similar products for [Time Delay & Timing Relays](#) category:*

*Click to view products by [TE Connectivity](#) manufacturer:*

Other Similar products are found below :

[5NO30](#) [614-11B-0A2](#) [614-11B-0A3](#) [614-11B-0A4](#) [614-11B-0A6](#) [614-11B-0A8](#) [614-11C-0A1](#) [614-11C-0A2](#) [614-11C-0A5](#) [614-11Q-0A3](#) [614-11Q-0A6](#) [614-11T-0A3](#) [614-11T-0A6](#) [614-11T-0A7](#) [614-12B-4A1](#) [614-12C-400](#) [614-12Q-400](#) [614-12T-600](#) [614-22T-4A1](#) [614-43B-400](#) [614-43C-100](#) [614-43F-200](#) [614-43Q-0A2](#) [614-43Q-100](#) [614-43Q-600](#) [614-43T-0A9](#) [614-43T-600](#) [614-43U-400](#) [614-43U-4A1](#) [614-43U-6A2](#) [615-21T-200](#) [655-11T-100](#) [655-11U-500](#) [655-12T-300](#) [655-22T-400](#) [655-22T-600](#) [CUA-41-30001](#) [CUA-41-30030](#) [CUA-41-70180](#) [CUA-41-71038](#) [CUA-42-30005](#) [CUA-42-30010](#) [CUA-42-30120](#) [CUA-42-70120](#) [CUA-99-72502](#) [CUC-41-30030](#) [CUF-42-30010](#) [CUH-41-31006](#) [7012AFX](#) [7012GD](#)