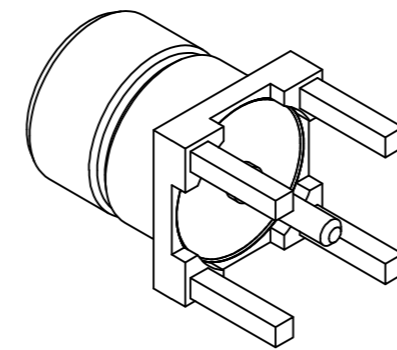


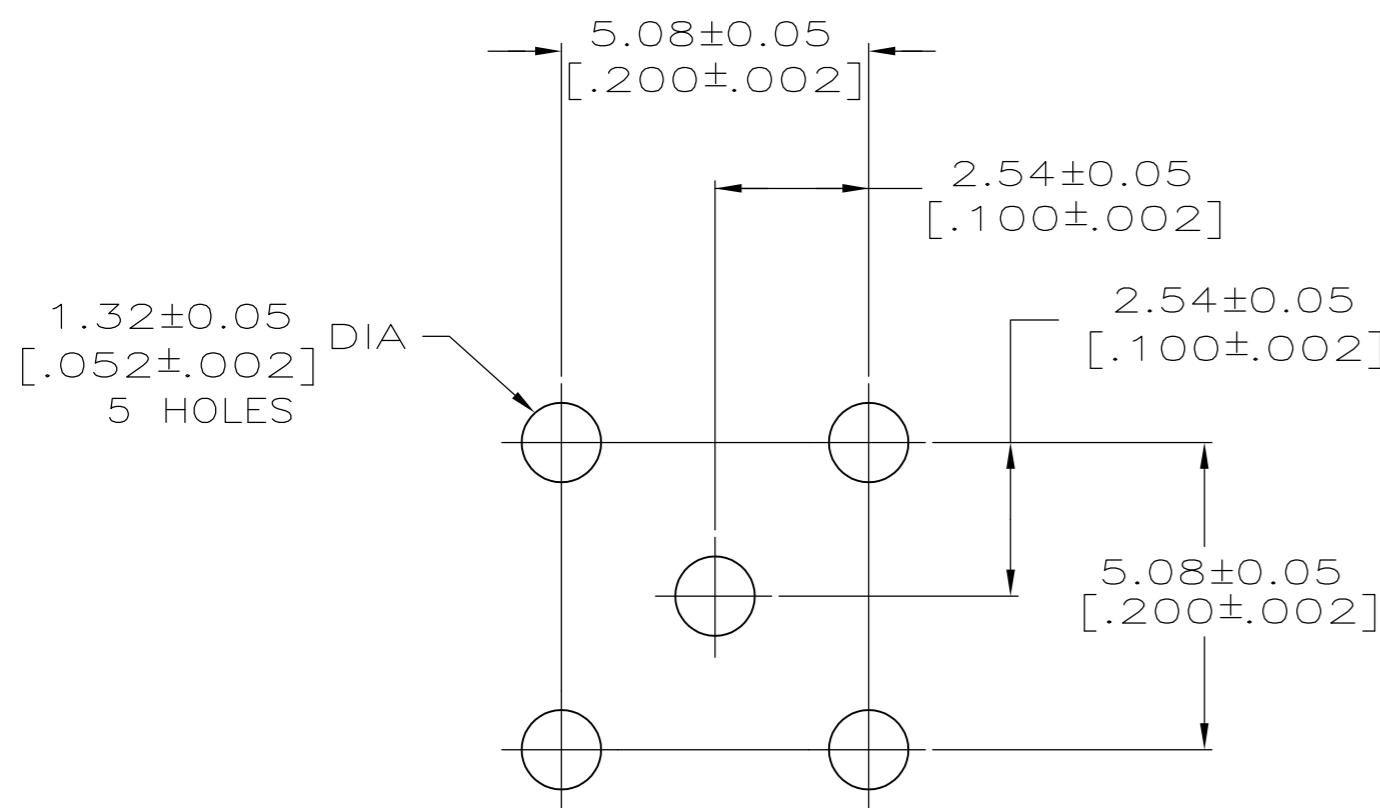
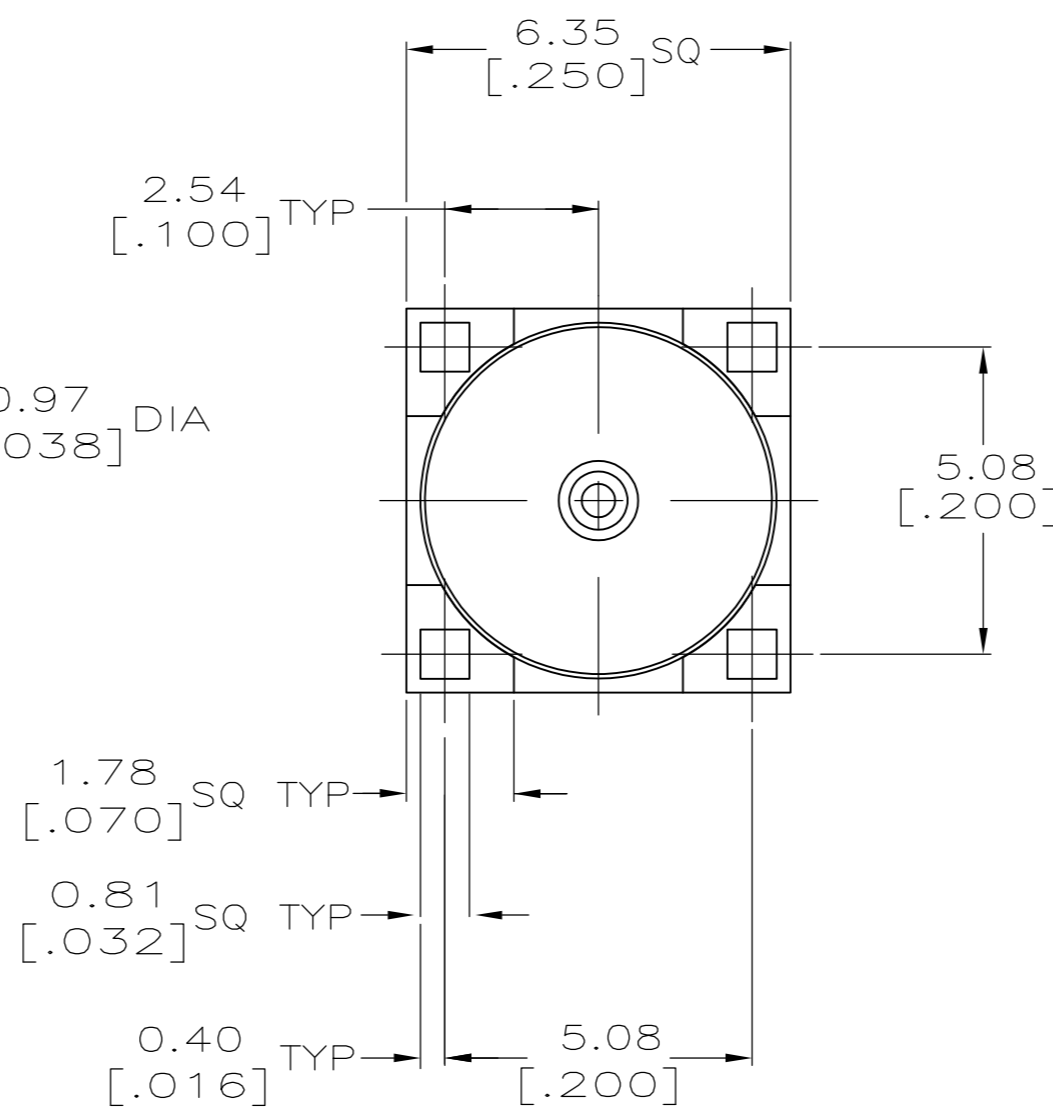
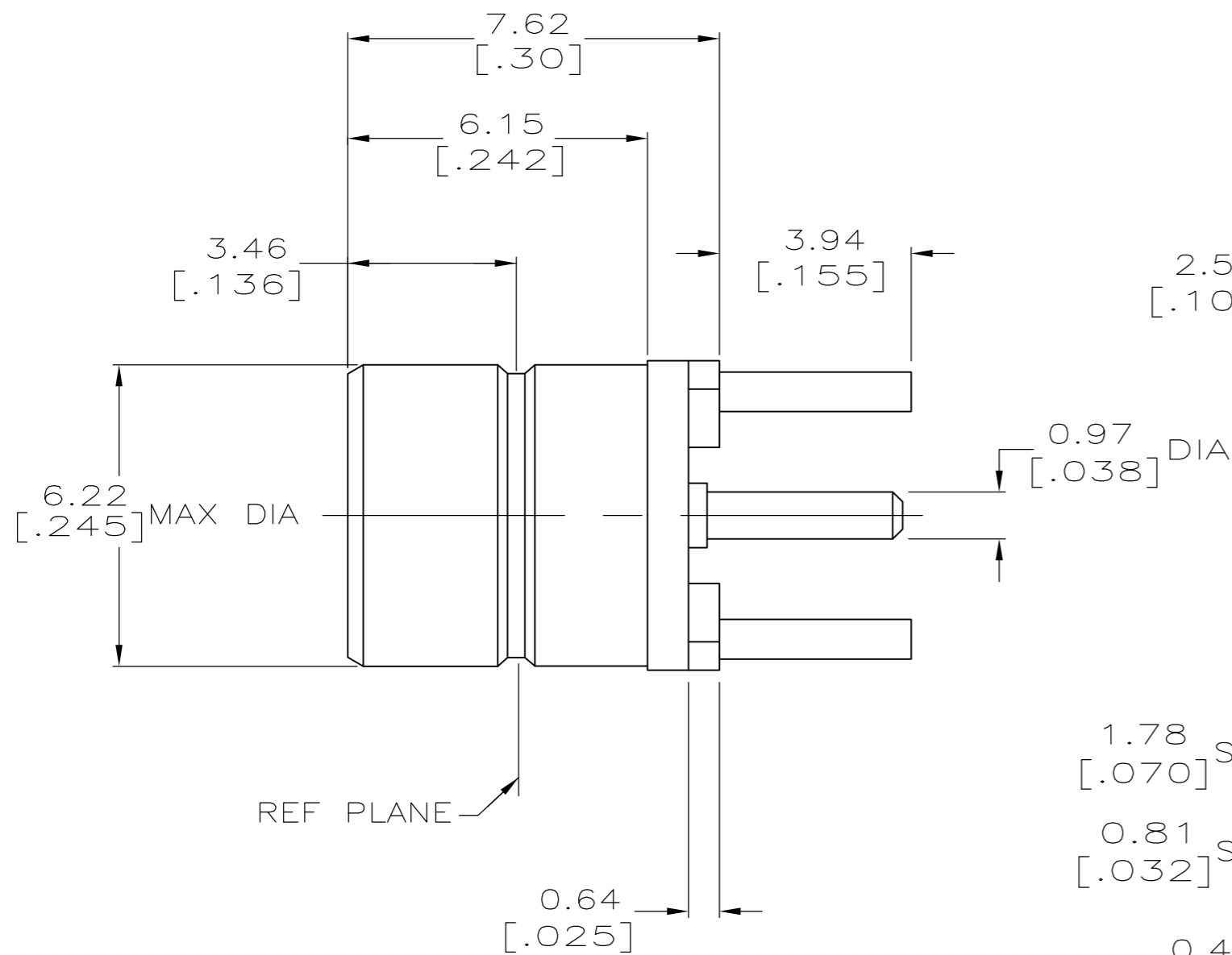
THIS DRAWING IS UNPUBLISHED. RELEASED FOR PUBLICATION  
 © COPYRIGHT - By - ALL RIGHTS RESERVED.

LOC	DIST	REVISIONS			
P	LTR	DESCRIPTION	DATE	DWN	APVD
AJ	16	E1	ECR-12-005726	27MAR12	RK MY



ISOMETRIC VIEW

- 1 BRASS PER ASTM-B-453
- 2 PTFE PER ASTM-D-1710
- 3 GOLD PLATE PER MIL-G-45204 OVER NICKEL PLATE PER QQ-N-290.
- 4 NICKEL PLATE PER QQ-N-290 OVER COPPER PER MIL-C-14550.
- 5 GOLD PLATE PER MIL-G-45204 .000050 MIN THK OVER NICKEL PLATE PER QQ-N-290.
- 6 TIN PLATE PER ASTM B 545.
- 7 TIN PLATE PER ASTM-B-545 .000050 MIN THK OVER NICKEL PLATE PER QQ-N-290



RECOMMENDED PCB CONFIGURATION

SUPERSEDED BY 414244-1  
 SUPERSEDED BY 414244-4

---	3	7	9-414244-0
---	3	6	414244-4
---	5	5	414244-3
---	3	4	414244-2
---	3	3	414244-1
DIELECTRIC 2	CONTACT 1	BODY 1	ASSY NO
FINISH			

DIMENSIONS:		TOLERANCES UNLESS OTHERWISE SPECIFIED:		DWN		TE Connectivity	
INCHES		0 PLC	± -	K. RIELY	1/6/92		
		1 PLC	± -	CHK	1/6/92		
		2 PLC	± 0.25[.01]	G. MICHAEL			
		3 PLC	± 0.130[.005]	APVD	01-07-92		
		4 PLC	± -	K. HEILIG		NAME	
		ANGLES	± -	PRODUCT SPEC		JACK,RCPT,STR,SMB/PCB	
MATERIAL	FINISH	WEIGHT		APPLICATION SPEC		SIZE	CAGE CODE
SEE TABLE	SEE TABLE					A2	00779
		CUSTOMER DRAWING				DRAWING NO	RESTRICTED TO
						C=414244	
						SCALE	SHEET
						8:1	1 of 1
							REV
							E1

## X-ON Electronics

Largest Supplier of Electrical and Electronic Components

*Click to view similar products for [RF Connectors / Coaxial Connectors](#) category:*

*Click to view products by [TE Connectivity](#) manufacturer:*

Other Similar products are found below :

[8915-1511-000](#) [89674-0827](#) [6001-7071-019](#) [6002-7051-003](#) [6002-7551-202](#) [6059674-1](#) [619550-1](#) [630059-000](#) [M39030/3-01N](#) [6500-7071-046](#) [6769](#) [CX050L2AQ](#) [7002-1541-010](#) [7002-1542-011](#) [7004-1512-000](#) [7009-1511-004](#) [7010-1511-000](#) [7029-1511-060](#) [7101-1541-010](#) [7101-1571-002](#) [7105-1521-002](#) [7145-1521-002](#) [7203-1571-003](#) [7209-1511-011](#) [7210-1511-015](#) [7210-1511-019](#) [73137-5015](#) [73216-2241](#) [73404-2300](#) [7405-1521-005](#) [7405-1521-802](#) [8527](#) [8547](#) [FS11V](#) [877931](#) [9049-9513-000](#) [9074-9513-000](#) [9101-9573-002](#) [910A205F](#) [9130-9573-002](#) [PL11SC-026](#) [PL375-33](#) [PL40-5](#) [PL74C-221](#) [PL75MC-217](#) [PL803-7](#) [1200690078](#) [1-201144-1](#) [R107003010W](#) [R110A172100](#)