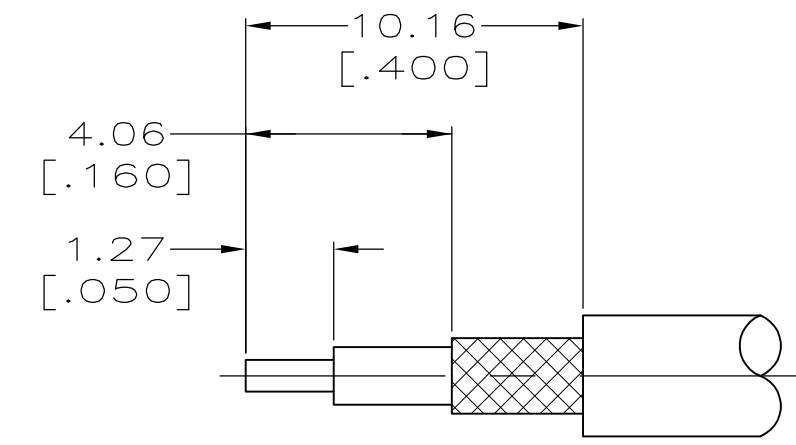
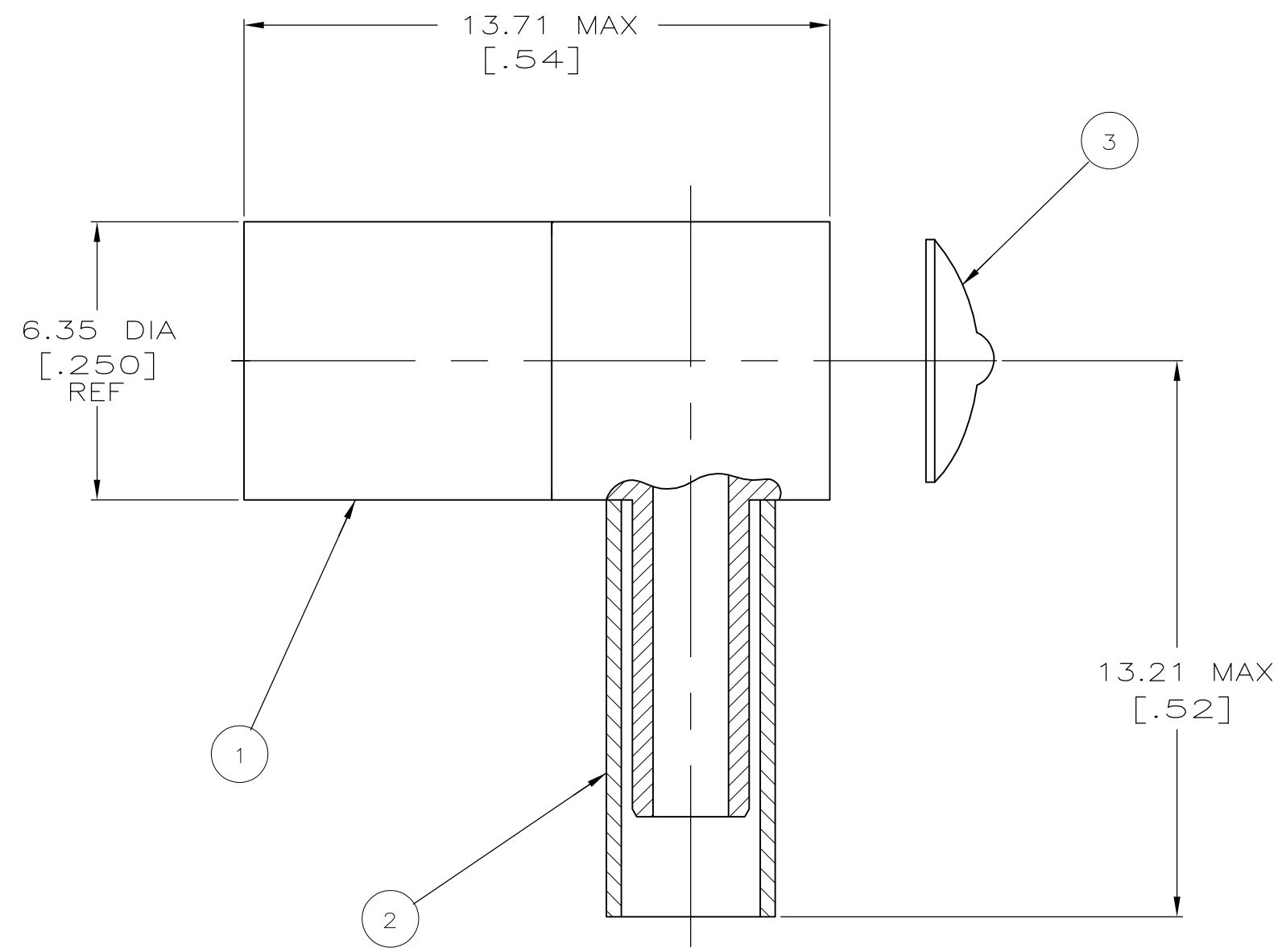


THIS DRAWING IS UNPUBLISHED. RELEASED FOR PUBLICATION ALL RIGHTS RESERVED. COPYRIGHT 2005 By -

P	LTR	DESCRIPTION	DATE	DWN	APVD
L2		REVISED PER ECO-11-005030	11MAR11	RK	HMR



RECOMMENDED STRIP LENGTHS
SCALE NTS

- 1. INTERFACE PER MIL-C-39012.
- 2. SEE INSTRUCTION SHEET 408-2987-9.
- 3. USES SCREW MACHINED CONTACT.
- 4. OBSOLETE PARTS: OBSOLETE CIS STREAMLINING PER D.RENAUD/D.SINISI

OBSOLETE	C	58483-1	.151	HX4-1637	414013-3	1-413889-4	414364-6	RG 174,188,316(ALL DBL SHIELDED)	3-414363-4			
OBSOLETE	C	58483-1	.151	HX4-1637	414013-3	1-413889-4	414364-1	RG 174,188,316(ALL DBL SHIELDED)	1-414363-2			
4	OBSOLETE	C	58483-1	.151	HX4-1637	1-413889-4	414364-1	RG 174,188,316(ALL DBL SHIELDED)	1-414363-1			
OBSOLETE	A	58483-1	.105	HX4-1637	414013-3	1-413889-5	414364-4	RG 178,196	414363-9			
	A	58483-1	.105	HX4-1637	414013-3	1-413889-5	414364-3	RG 178,196	414363-8			
OBSOLETE	C	58483-1	.151	HX4-1637	414013-3	1-413889-4	414364-2	RG 174,188,316(ALL DBL SHIELDED)	414363-6			
	B	58483-1	.128	HX4-1637	414013-3	1-413889-3	414364-2	RG 174,188,316	414363-5			
	C	58483-1	.151	HX4-1637	414013-3	1-413889-4	414364-1	RG 174,188,316(ALL DBL SHIELDED)	414363-4			
	B	58483-1	.128	HX4-1637	414013-3	1-413889-3	414364-1	RG 174,188,316	414363-3			
	POSITION LETTER	AMP DIE SET	HEX SIZE	DANIELS DIE SET	3	END CAP QTY=1	2	FERRULE QTY=1	1	PLUG ASSY QTY=1	CABLE	PART NO
		PRO-CRIMPER FOR BRAID CRIMP	M 22520/5-01 FOR BRAID CRIMP									

TOOLING INFORMATION

THIS DRAWING IS A CONTROLLED DOCUMENT.

DWN	B. MOYER	19JUN92
CHK	J. FLANAGAN	25JUN92
APVD		

STE TE Connectivity

PLUG,RTANG CRIMP,HEX CRIMP,SMB

SIZE	A2	CAGE CODE	00779	DRAWING NO	414363	RESTRICTED TO	
WEIGHT		CUSTOMER DRAWING		SCALE	8:1	SHEET	1 OF 1
				REV	L2		

X-ON Electronics

Largest Supplier of Electrical and Electronic Components

Click to view similar products for [RF Connectors / Coaxial Connectors](#) category:

Click to view products by [TE Connectivity](#) manufacturer:

Other Similar products are found below :

[8915-1511-000](#) [89674-0827](#) [6001-7071-019](#) [6002-7051-003](#) [6002-7551-202](#) [6059674-1](#) [619550-1](#) [630059-000](#) [M39030/3-01N](#) [6500-7071-046](#) [6769](#) [CX050L2AQ](#) [7002-1541-010](#) [7002-1542-011](#) [7004-1512-000](#) [7009-1511-004](#) [7010-1511-000](#) [7029-1511-060](#) [7101-1541-010](#) [7101-1571-002](#) [7105-1521-002](#) [7145-1521-002](#) [7203-1571-003](#) [7209-1511-011](#) [7210-1511-015](#) [7210-1511-019](#) [73137-5015](#) [73216-2241](#) [73404-2300](#) [7405-1521-005](#) [7405-1521-802](#) [8527](#) [8547](#) [FS11V](#) [877931](#) [8808-1511-001](#) [9074-9513-000](#) [9101-9573-002](#) [910A205F](#) [9130-9573-002](#) [PL11SC-026](#) [PL375-33](#) [PL40-5](#) [PL74C-221](#) [PL75MC-217](#) [PL803-7](#) [1200690078](#) [1-201144-1](#) [R107003010W](#) [R110A172100](#)