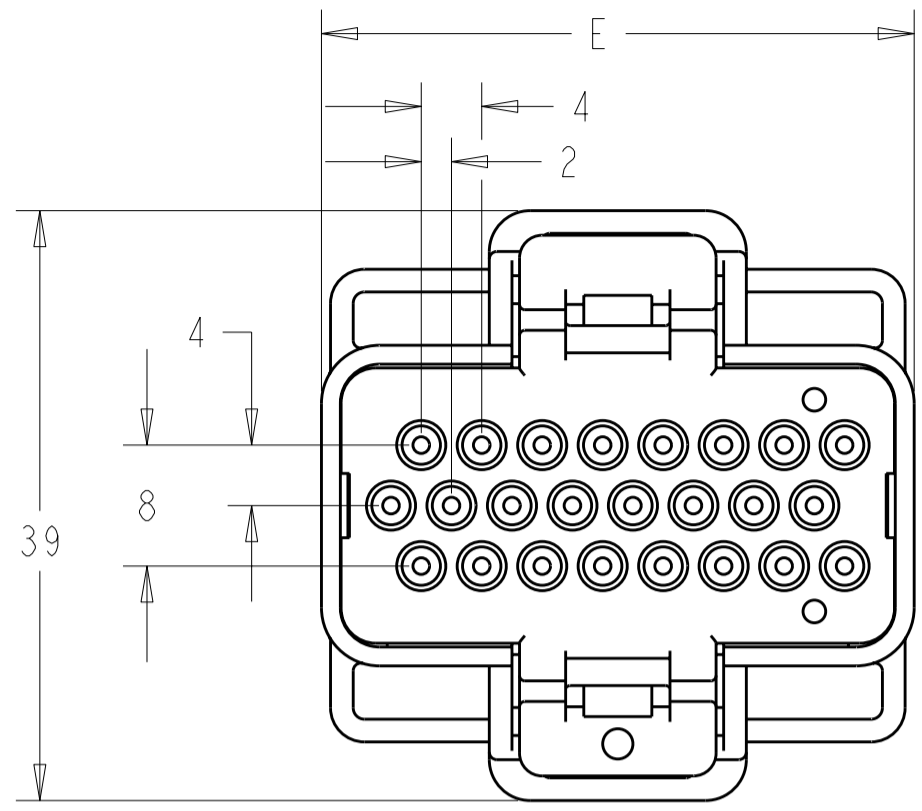
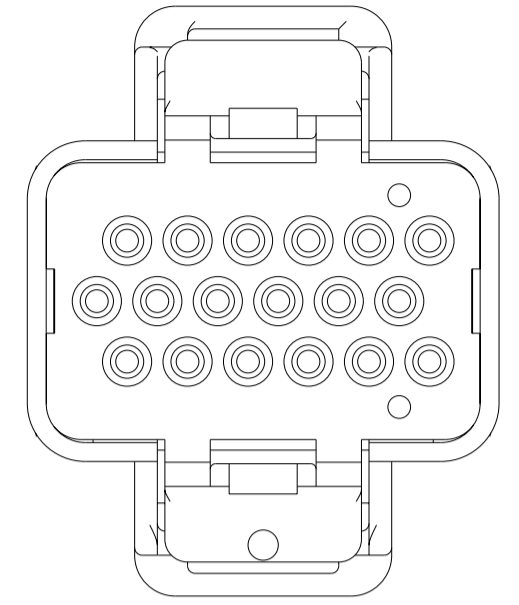


THIS DRAWING IS UNPUBLISHED. RELEASED FOR PUBLICATION 20  
 © COPYRIGHT 20 ALL RIGHTS RESERVED.

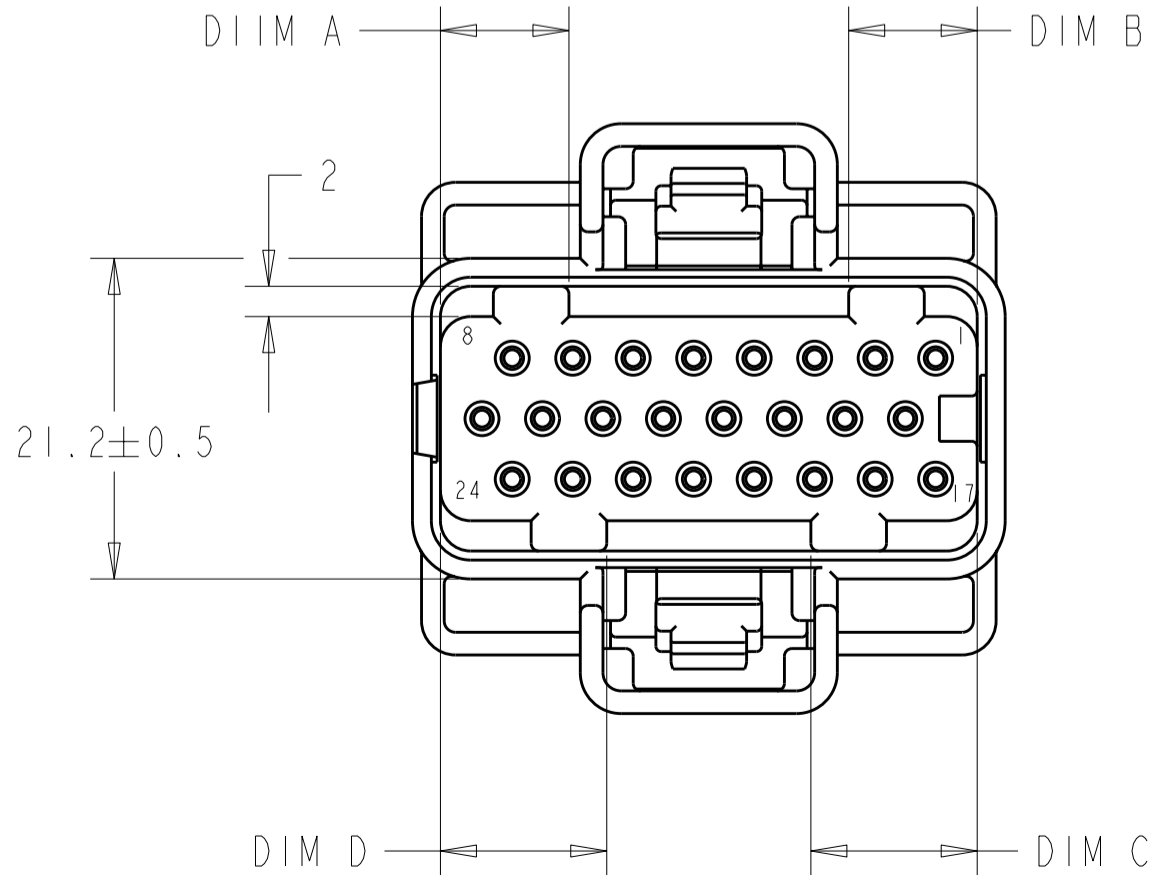
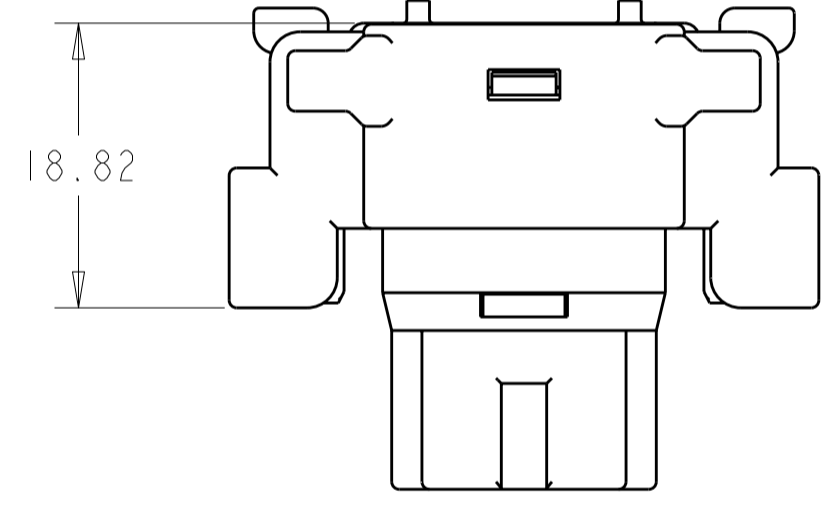
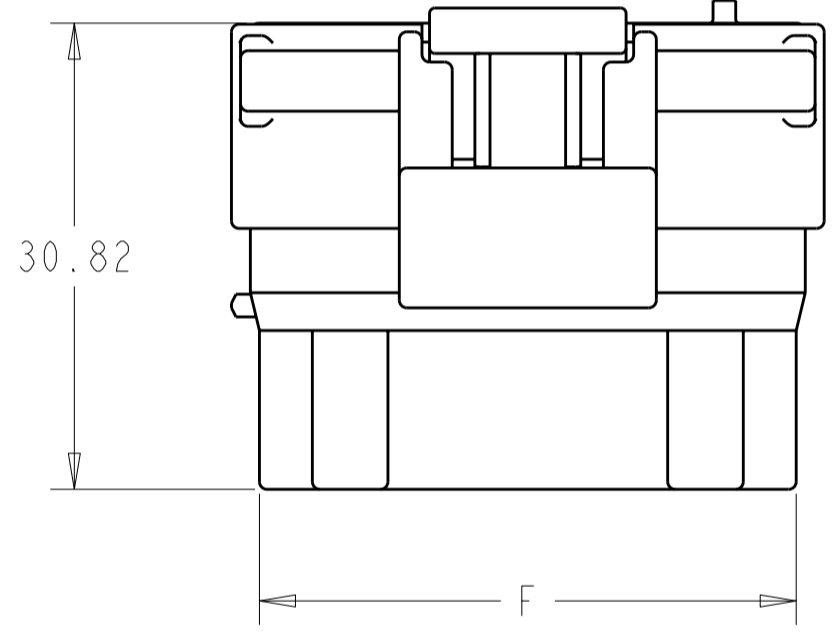
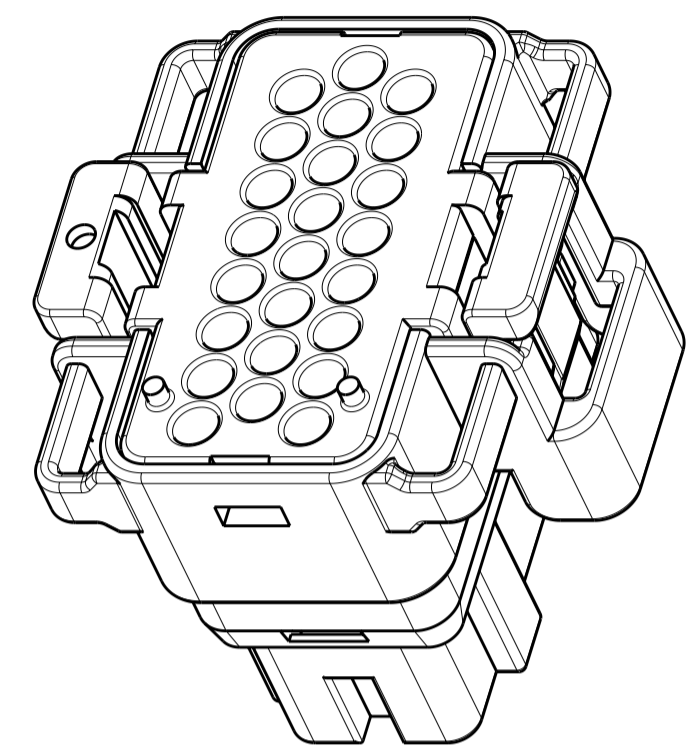
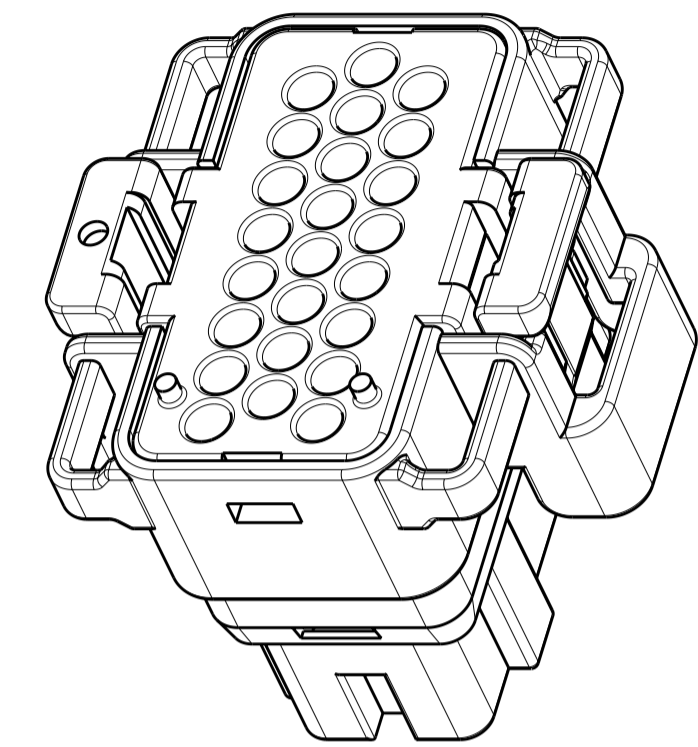
| LOC |     | DIST        |                           | REVISIONS |      |     |  |
|-----|-----|-------------|---------------------------|-----------|------|-----|--|
| P   | LTR | DESCRIPTION | DATE                      | DWN       | APVD |     |  |
| HK  | 00  | BI          | REVISED PER ECO-11-005030 | 30APR2011 | RK   | HMR |  |



STYLE A  
(WITH STIRRUPS)



STYLE B  
(WITHOUT STIRRUPS)



| TE PART NO. | T&B PART NO. | NO. OF POSITIONS | DIM A | DIM B | DIM C | DIM D | DIM E | DIM F | STIRRUP STYLE | COLOR   |
|-------------|--------------|------------------|-------|-------|-------|-------|-------|-------|---------------|---------|
| 4-1437287-7 | 130025603205 | 32               | 12.00 | 12.00 | 12.00 | 9.00  | 49.2  | 45.5  | A             | BLACK   |
| 4-1437287-5 | 130025602401 | 24               | 7.50  | 12.00 | 9.00  | 9.00  | 39.2  | 35.5  | A             | BLACK   |
| 4-1437287-6 | 130025602402 | 24               | 7.50  | 11.00 | 11.00 | 9.00  | 39.2  | 35.5  | A             | BLACK   |
| 1456016-1   | 130025602403 | 24               | 7.50  | 11.00 | 11.00 | 12.00 | 39.2  | 35.5  | A             | GREY    |
| 1456016-2   | 130025602404 | 24               | 9.00  | 11.00 | 11.00 | 9.00  | 39.2  | 35.5  | A             | GREY    |
| 1456016-3   | 130025602405 | 24               | 12.00 | 12.00 | 12.00 | 9.00  | 39.2  | 35.5  | A             | NATURAL |
| 1456016-4   | 130025602406 | 24               | 11.00 | 12.00 | 9.00  | 9.00  | 39.2  | 35.5  | A             | NATURAL |
| N/A         | 1300256018XX | 18               | N/A   | N/A   | N/A   | N/A   | 31.2  | 27.5  | B             | BLACK   |
| N/A         | 1300256020XX | 20               | N/A   | N/A   | N/A   | N/A   | 33.2  | 29.5  | B             | BLACK   |
| N/A         | 1300256014XX | 14               | N/A   | N/A   | N/A   | N/A   | 25.2  | 21.5  | B             | BLACK   |

THIS DRAWING IS A CONTROLLED DOCUMENT.

DIMENSIONS: mm

TOLERANCES UNLESS OTHERWISE SPECIFIED:

|        |         |
|--------|---------|
| 0 PLC  | ±1      |
| 1 PLC  | ±0.3    |
| 2 PLC  | ±0.15   |
| 3 PLC  | ±0.070  |
| 4 PLC  | ±0.0500 |
| ANGLES | ±2      |
| FINISH |         |

MATERIAL: -

APVD: R. HARDISON 02OCT2000

CHK: R. HARDISON 02OCT2000

DWN: R. HARDISON 02OCT2000

PRODUCT SPEC: -

APPLICATION SPEC: -

WEIGHT: - 1

CUSTOMER DRAWING

SCALE: 2:1

SHEET 1 OF 1

REV: BI

TE Connectivity

SOCKET ASSEMBLY, SEALED IMM I/O CONNECTOR SYSTEM

SIZE: A2

CAGE CODE: 00779

DRAWING NO: 1456016

RESTRICTED TO: -

## X-ON Electronics

Largest Supplier of Electrical and Electronic Components

*Click to view similar products for [Automotive Connectors](#) category:*

*Click to view products by [TE Connectivity](#) manufacturer:*

Other Similar products are found below :

[003-018-000](#) [60403001](#) [60993906-B](#) [M902-2131](#) [M902-2161](#) [M902-2344](#) [72.330.1035.1](#) [73.353.4028.0](#) [F119300-B](#) [F166900](#) [F258300-B](#)  
[F358300-B](#) [F407400](#) [F444110](#) [F487000](#) [F509500B-B](#) [827153-1](#) [8N1515-32-24P](#) [9-1326729-8](#) [925474-1](#) [928905-1](#) [964562-4](#) [968782-1](#)  
[GT17SA-8DS-HU](#) [98891-1012](#) [98947-1016](#) [12004147](#) [12004475-L](#) [12010290](#) [12015454](#) [12020219-B](#) [12041318-B](#) [12052225-L](#) [12052466](#)  
[12064869](#) [12004327-B](#) [12015308](#) [12015384](#) [12015909](#) [1-21030-1](#) [12041254](#) [12041318](#) [12047946-B](#) [12047957](#) [12047957-L](#) [12059473](#)  
[12066261](#) [12110546](#) [12110546-B](#) [12131792](#)