

THIS DRAWING IS UNPUBLISHED. RELEASED FOR PUBLICATION
 © COPYRIGHT - By - ALL RIGHTS RESERVED.

LOC	DIST	REVISIONS			
P	LTR	DESCRIPTION	DATE	DWN	APVD
FT	0	A	REVISED PER ECO-11-023039	21FEB12	KH MS

MATERIAL:
 HOUSING: THERMOPLASTIC, UL94V-2, BLACK.
 TERMINAL: BRASS, BRIGHT TIN PLATED.
 SCREWS: 6-32, STEEL, ZINC AND CHROMATE PLATED.

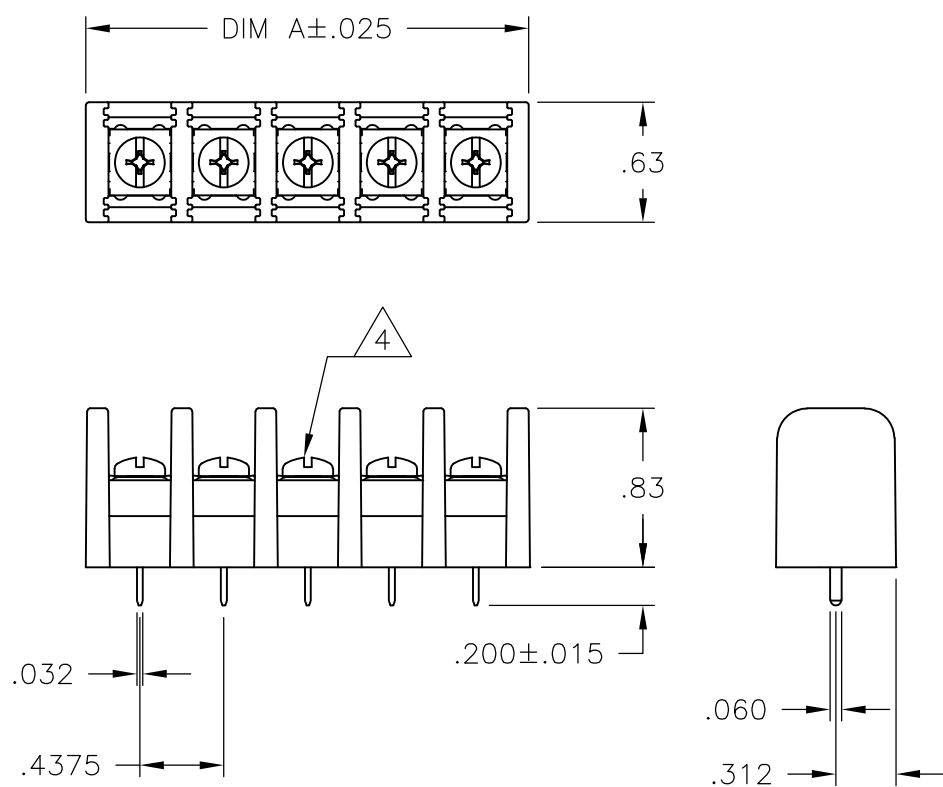
ELECTRICAL:
 MAXIMUM CURRENT: 20A.
 OPERATING VOLTAGE: 600V.
 WIRE RANGE: 12 AWG MAX.

ENVIRONMENT:
 OPERATING TEMP.: -60°C TO +105°C

- ① WHITE INK MARKING, APPROX AS SHOWN.
- ② NICKEL PLATED BRASS SCREW.
- ③ OBSOLETE PARTS: OBSOLETE CIS STREAMLINING PER D.RENAUD/D.SINISI
- ④ ALL SCREWS BOTTOMED, TORQUE 2 TO 4 IN-LBS

SEE FIGURE ③ OBSOLETE

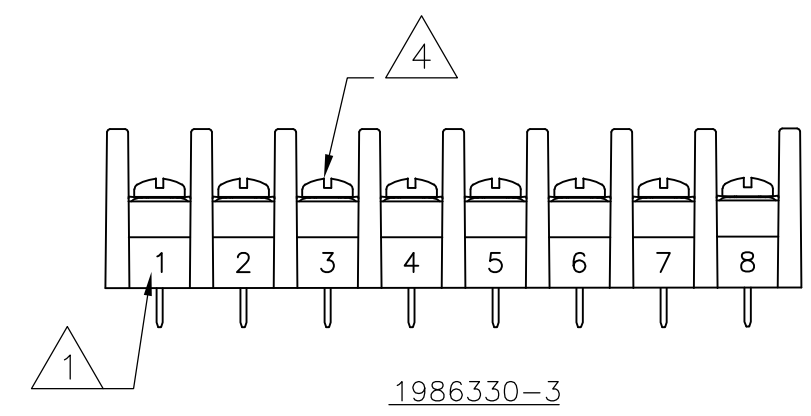
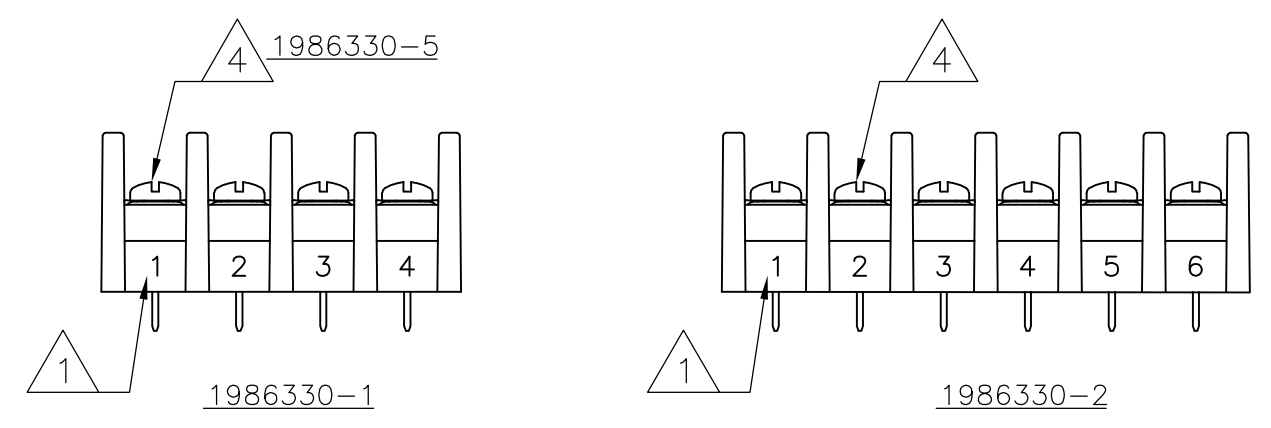
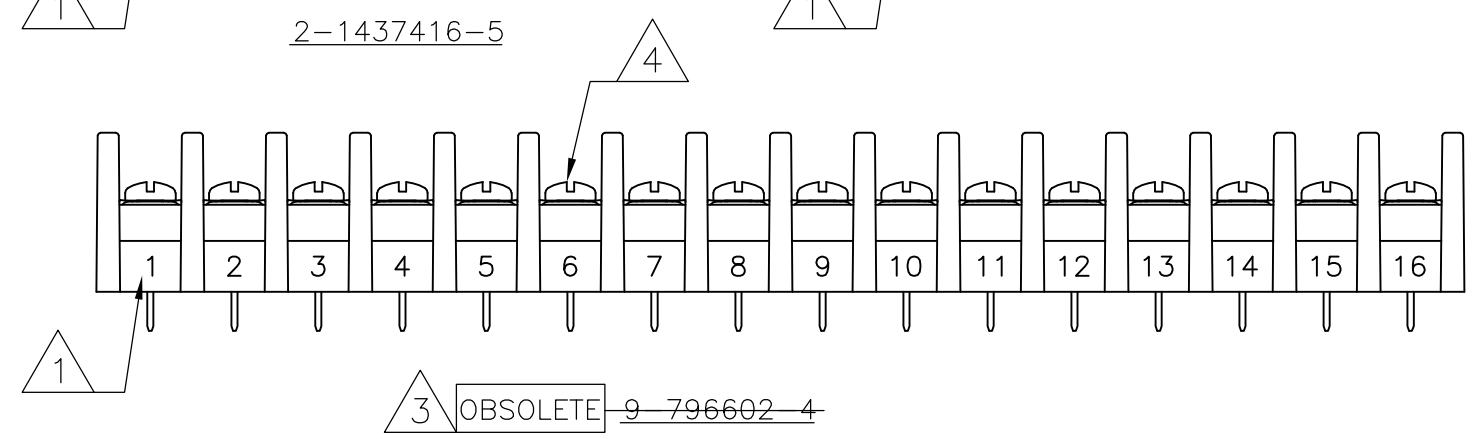
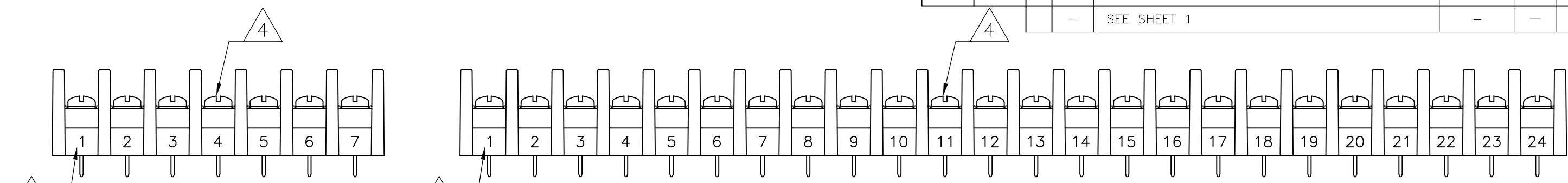
7.562	17	SSB7FP170201	1-1546972-7
7.125	16	SSB7FP16020111	9-796602-4
7.125	16	SSB7FP160201	1-1546972-6
6.687	15	SSB7FP150201	4-1437416-6
6.250	14	SSB7FP140203	1546561-4
6.250	14	SSB7FP140201	4-1437416-5
5.812	13	SSB7FP130201	4-1437416-3
5.375	12	SSB7FP120201	4-1437416-0
4.937	11	SSB7FP110201	1-1546972-1
4.500	10	SSB7FP100203	3-1437416-6
4.500	10	SSB7FP100201	3-1437416-4
4.062	9	SSB7FP090203	1-1546561-9
4.062	9	SSB7FP090201	1546972-9
3.625	8	SSB7FP08020111	1986330-3
3.625	8	SSB7FP080203	2-1437416-9
3.625	8	SSB7FP080201	1546972-8
3.187	7	SSB7FP070203	2-1437416-6
3.187	7	SSB7FP07020111	2-1437416-5
3.187	7	SSB7FP070201	2-1437416-4
2.750	6	SSB7FP06020111	1986330-2
2.750	6	SSB7FP060203	2-1437416-3
2.750	6	SSB7FP060201	2-1437416-1
2.312	5	SSB7FP050203	2-1546972-7
2.312	5	SSB7FP050201	1-1437416-5
1.875	4	SSB7FP04020111	1986330-1
1.875	4	SSB7FP040203	1-1437416-3
1.875	4	SSB7FP040201	1-1437416-1
1.437	3	SSB7FP030201	1437416-6
1.000	2	SSB7FP020201	1437416-2
DIM A	NO. OF POS.	CATALOG NUMBER	PART NUMBER



THIS DRAWING IS A CONTROLLED DOCUMENT.		DWN S SCHL GEL 2/10/05	STE TE Connectivity													
DIMENSIONS: INCHES		CHK S YODER 2/10/05														
TOLERANCES UNLESS OTHERWISE SPECIFIED:		APVD S YODER 2/10/05	NAME													
<table border="0"> <tr><td>0 PLC</td><td>± -</td></tr> <tr><td>1 PLC</td><td>± -</td></tr> <tr><td>2 PLC</td><td>± .02</td></tr> <tr><td>3 PLC</td><td>± .010</td></tr> <tr><td>4 PLC</td><td>± -</td></tr> <tr><td>ANGLES</td><td>± 1°</td></tr> </table>		0 PLC	± -	1 PLC	± -	2 PLC	± .02	3 PLC	± .010	4 PLC	± -	ANGLES	± 1°	PRODUCT SPEC	SSB7FPXX0201	
0 PLC	± -															
1 PLC	± -															
2 PLC	± .02															
3 PLC	± .010															
4 PLC	± -															
ANGLES	± 1°															
MATERIAL		APPLICATION SPEC	SIZE	CAGE CODE	DRAWING NO	RESTRICTED TO										
-		FINISH	-	-	A3 00779 C-9-796602-2	-										
CUSTOMER DRAWING			SCALE	SHEET	REV											
			NTS	1 OF 2	A											

THIS DRAWING IS UNPUBLISHED. RELEASED FOR PUBLICATION
 © COPYRIGHT - By - ALL RIGHTS RESERVED.

LOC FT	DIST 0	REVISIONS			
P	LTR	DESCRIPTION	DATE	DWN	APVD
	-	SEE SHEET 1	-	-	-



SEE FIGURE	2	11.937	27	SSB7FP270201	9-796602-2
		11.500	26	SSB7FP260203	1-1546561-8
		11.500	26	SSB7FP260201	2-1546972-6
		11.062	25	SSB7FP250201	2-1546972-5
		10.625	24	SSB7FP240201111	1986330-5
		10.625	24	SSB7FP240201	2-1546972-4
		10.187	23	SSB7FP230201	2-1546972-3
		9.750	22	SSB7FP220201	2-1546972-2
		9.312	21	SSB7FP210201	2-1546972-1
		8.875	20	SSB7FP200201	2-1546972-0
	8.437	19	SSB7FP190201	1-1546972-9	
	8.000	18	SSB7FP180201	1-1546972-8	
	DIM A	NO. OF POS.	CATALOG NUMBER	PART NUMBER	

THIS DRAWING IS A CONTROLLED DOCUMENT.		DWN S SCHL GEL	2/10/05	STE TE Connectivity													
DIMENSIONS: INCHES		CHK S YODER	2/10/05														
TOLERANCES UNLESS OTHERWISE SPECIFIED:		APVD S YODER	2/10/05	NAME													
<table border="0"> <tr><td>0 PLC</td><td>± -</td></tr> <tr><td>1 PLC</td><td>± -</td></tr> <tr><td>2 PLC</td><td>± .02</td></tr> <tr><td>3 PLC</td><td>± .010</td></tr> <tr><td>4 PLC</td><td>± -</td></tr> <tr><td>ANGLES</td><td>± 1°</td></tr> </table>		0 PLC	± -	1 PLC	± -	2 PLC	± .02	3 PLC	± .010	4 PLC	± -	ANGLES	± 1°	PRODUCT SPEC		SSB7FPXX0201	
0 PLC	± -																
1 PLC	± -																
2 PLC	± .02																
3 PLC	± .010																
4 PLC	± -																
ANGLES	± 1°																
MATERIAL		APPLICATION SPEC		SIZE	RESTRICTED TO												
FINISH		WEIGHT		A3	-												
		CUSTOMER DRAWING		CAGE CODE 00779	DRAWING NO C-9-796602-2												
		SCALE NTS		SHEET 2 OF 2	REV A												

X-ON Electronics

Largest Supplier of Electrical and Electronic Components

Click to view similar products for [Barrier Terminal Blocks](#) category:

Click to view products by [TE Connectivity](#) manufacturer:

Other Similar products are found below :

[CR151D20104](#) [670A-RZ-15-KT20](#) [6C1N03](#) [6PCR-02](#) [6PCR-02-008](#) [6PCR-05-008](#) [6PCR-08-008](#) [6PCR-09-008](#) [6PCR-13-006](#) [6PCR-15-006](#) [6PCR-21-006](#) [6PCV-06-008](#) [6PCV-06-716](#) [6PCV-09-001](#) [6PCV-10-009](#) [6PCV-15-008](#) [6PCV-17-1206](#) [6PCV-20-323](#) [6PCV-20-720](#) [6PCV-30-006](#) [6STR-06-006](#) [6STR-08-006](#) [6STR-12-008](#) [6STR-13-006](#) [6STR-14-008](#) [6STR-16-008](#) [6STR-17-008](#) [6STR-21-008](#) [6STR-25-008](#) [6STR-27-008](#) [6STV-03-006](#) [6STV-03-008](#) [6STV-04-006](#) [6STV-09-006](#) [6STV-10-006](#) [6WWR-03-693](#) [6WWV-12-008](#) [72212603](#) [72504-C-50](#) [72506-C](#) [72507-C-50](#) [73203](#) [75505-C](#) [75505-C-50](#) [75510-C](#) [77010-50](#) [7C1N08](#) [812-GP-3/4ST-09](#) [8-1437402-5](#) [8-1437402-7](#)