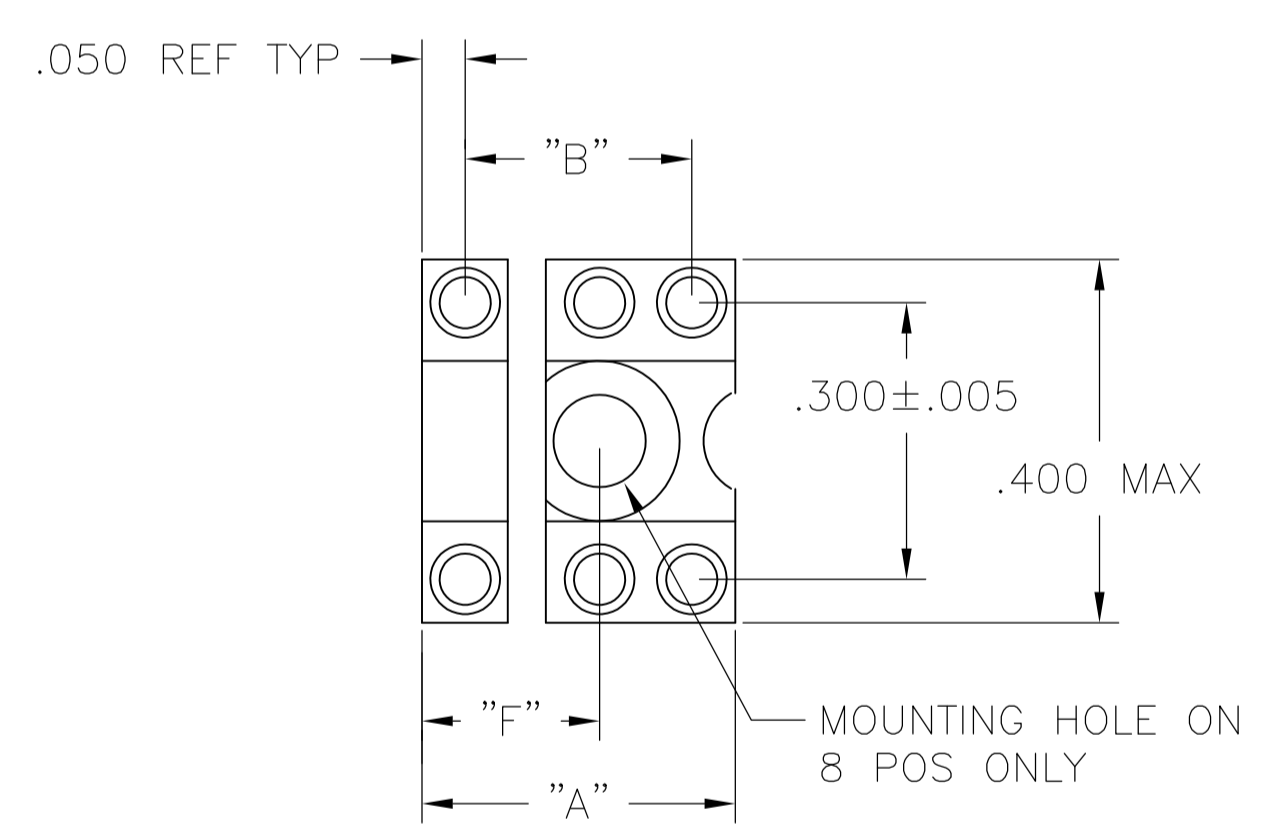
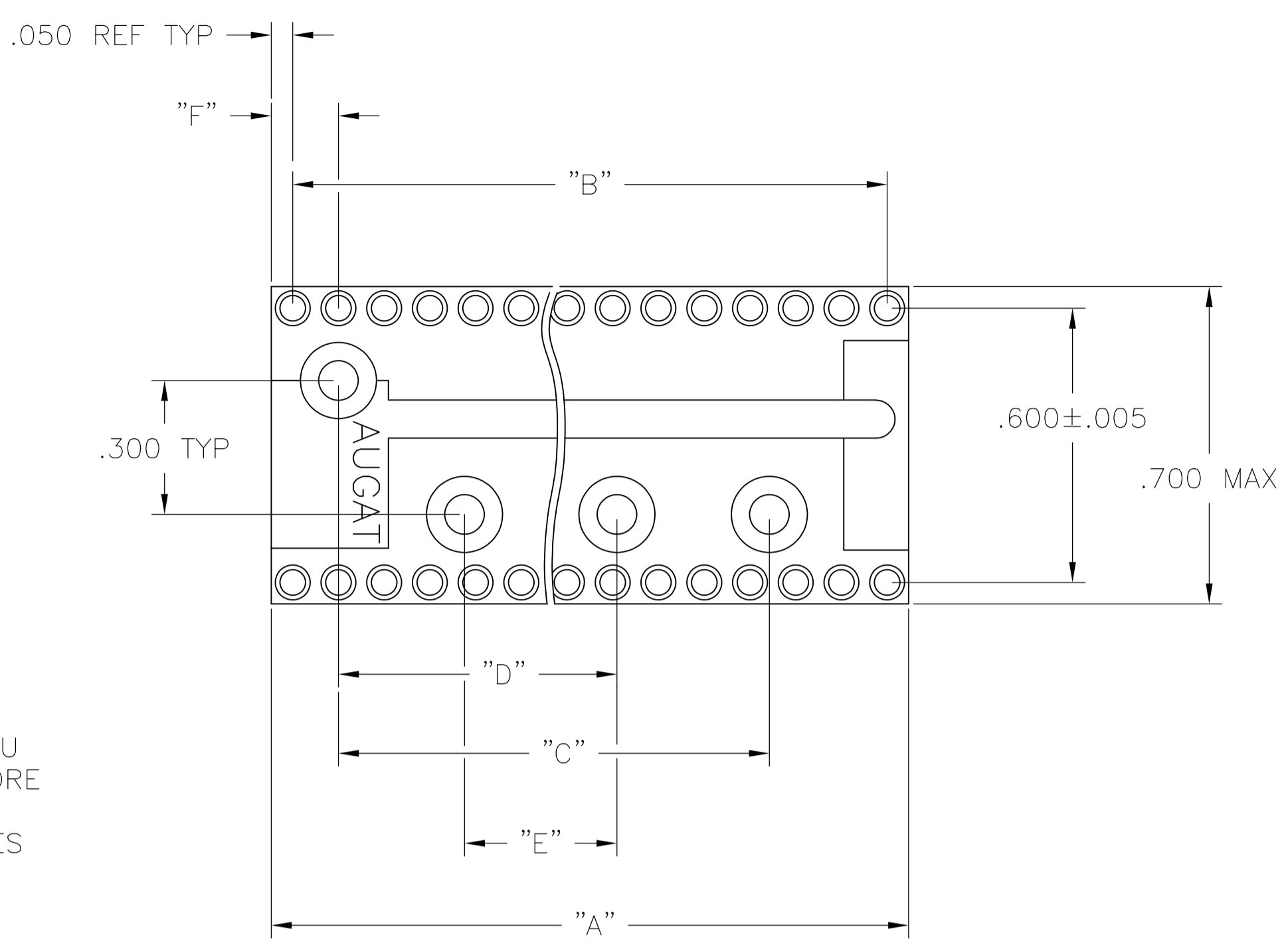
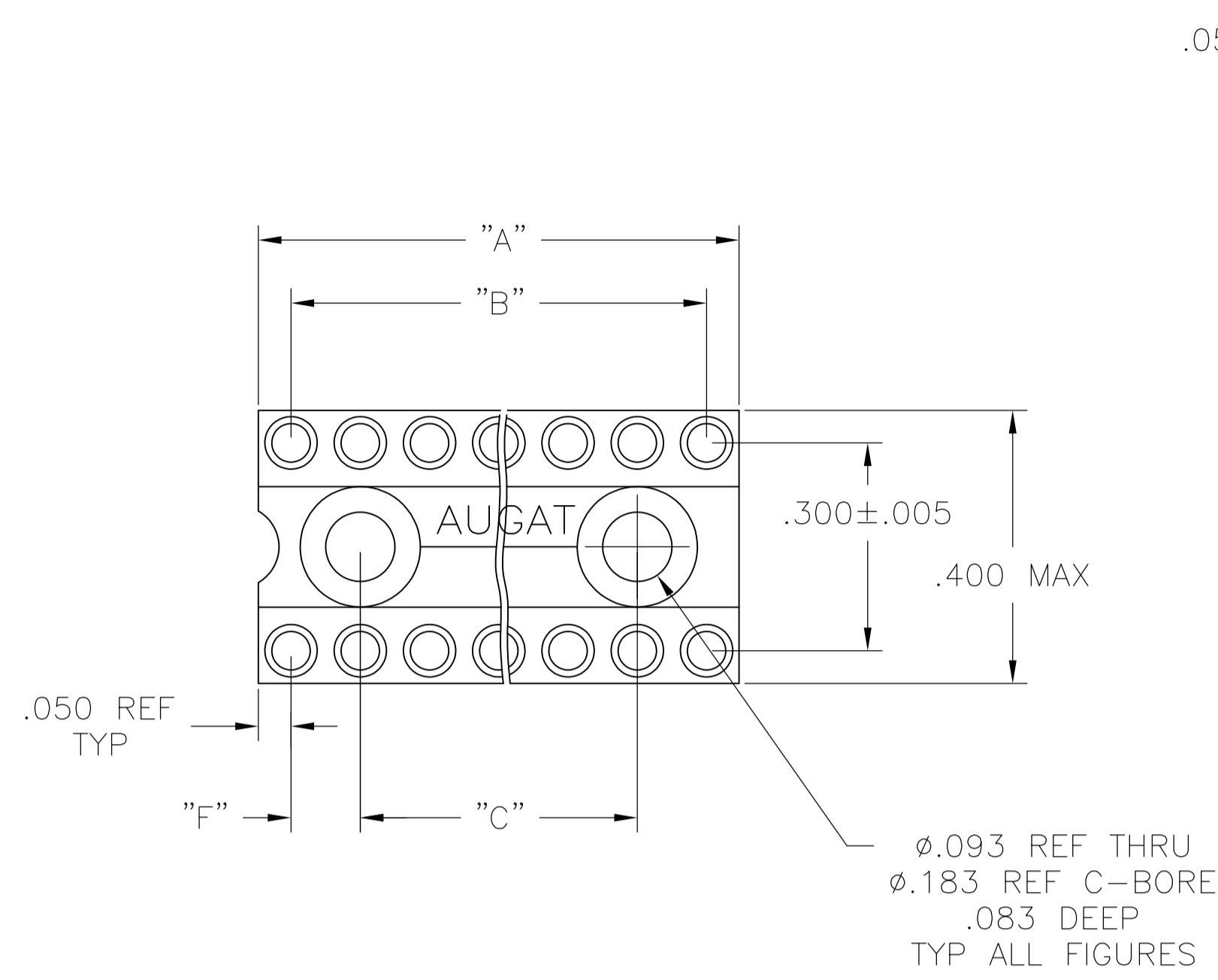


LOC		DIST		REVISIONS			
REV	DATE	BY	APPD	DESCRIPTION	DATE	BY	APPD
01				REVISED PER ECR-12-003106	14FEB12	W.W	C.W



6 POS MOUNTING HOLE OMITTED

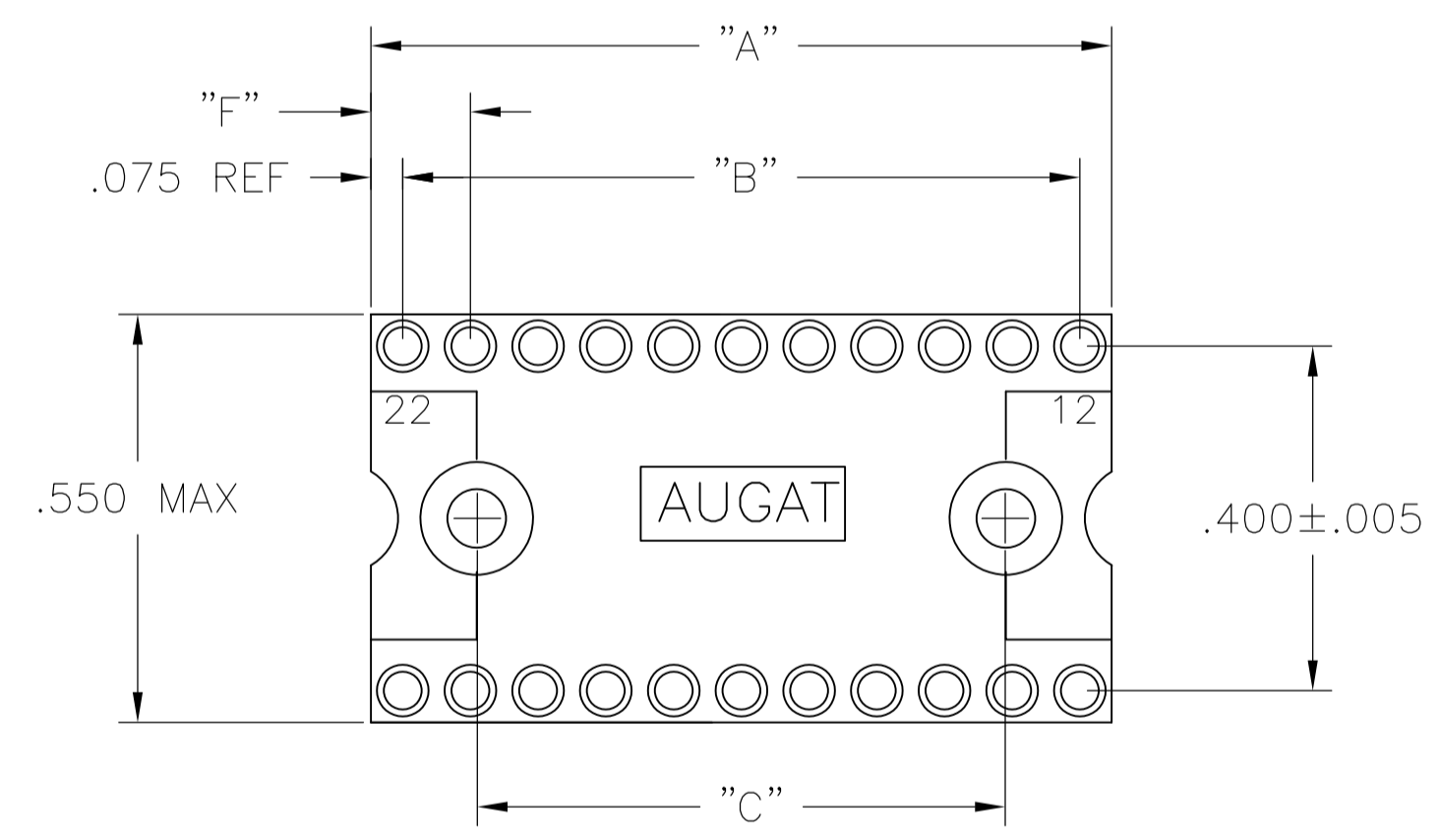
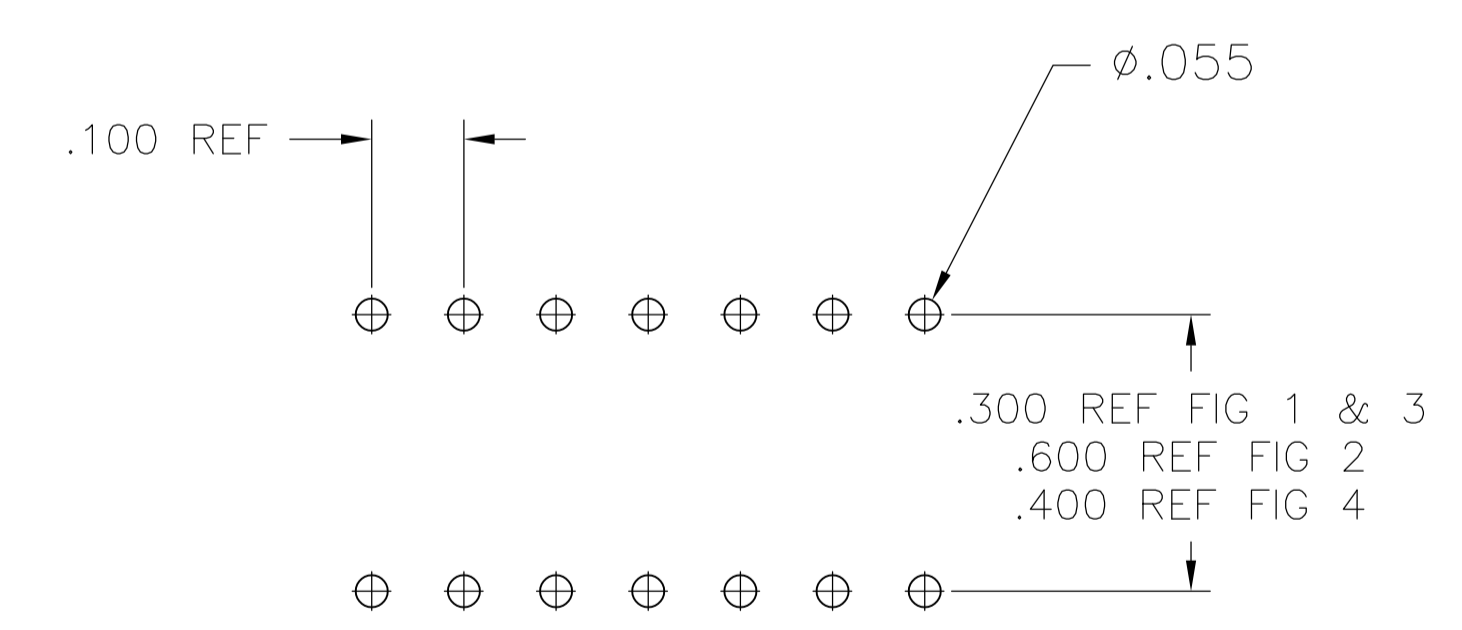


FIG. 4



- 1 INSULATOR MATERIAL - THERMOPLASTIC POLYESTER, PCT, BLACK, UL94 V-0.
- 2 CONTACT - 4 BEAM, BECU, MACHINED (PREMIUM) OR STAMPED (ECONOMY, W/SUFFIX -ES OR -ESL)
- 3 SLEEVE - MACHINED COPPER ALLOY.
- 4 PLATING: CONTACT -20 μIN MIN. GOLD OVER 30 μIN MIN NICKEL
SLEEVE -7.5 μIN MIN. GOLD OVER 50 μIN MIN NICKEL
- 5 PLATING: CONTACT -20 μIN MIN. GOLD OVER 30 μIN MIN NICKEL
SLEEVE -80 μIN MIN. TIN-LEAD OVER 50 μIN MIN COPPER
- 6 PLATING: CONTACT -20 μIN MIN. GOLD OVER 30 μIN MIN NICKEL
SLEEVE -180 μIN MIN. TIN-LEAD OVER 50 μIN MIN COPPER
- 7 PLATING: CONTACT -80 μIN MIN. TIN-LEAD OVER 75 μIN MIN COPPER
SLEEVE -80 μIN MIN. TIN-LEAD OVER 50 μIN MIN COPPER
- 8 PLATING: CONTACT -80 μIN MIN. TIN-LEAD OVER 75 μIN MIN COPPER
SLEEVE -180 μIN MIN. TIN-LEAD OVER 50 μIN MIN COPPER
- 9 PLATING: CONTACT -5 μIN MIN. GOLD OVER 50 μIN MIN NICKEL
SLEEVE -7.5 μIN MIN. GOLD OVER 50 μIN MIN NICKEL
- 10 PLATING: CONTACT -5 μIN MIN. GOLD OVER 50 μIN MIN NICKEL
SLEEVE -80 μIN MIN. TIN-LEAD OVER 50 μIN MIN COPPER
- 11 PLATING: CONTACT -5 μIN MIN. GOLD OVER 50 μIN MIN NICKEL
SLEEVE -180 μIN MIN. TIN-LEAD OVER 50 μIN MIN COPPER

ELECTRICAL:

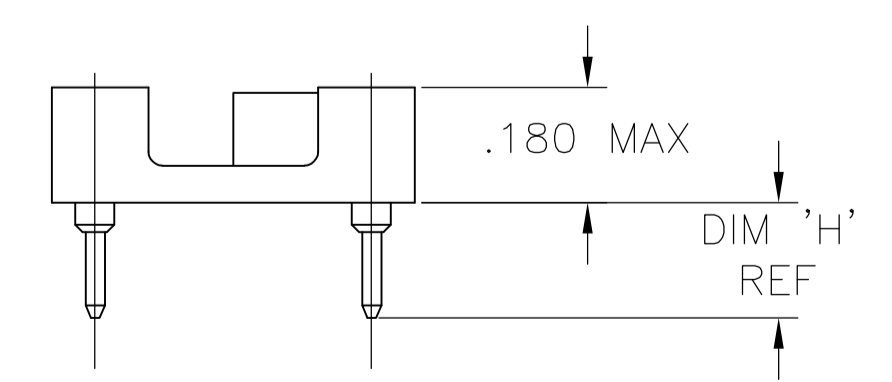
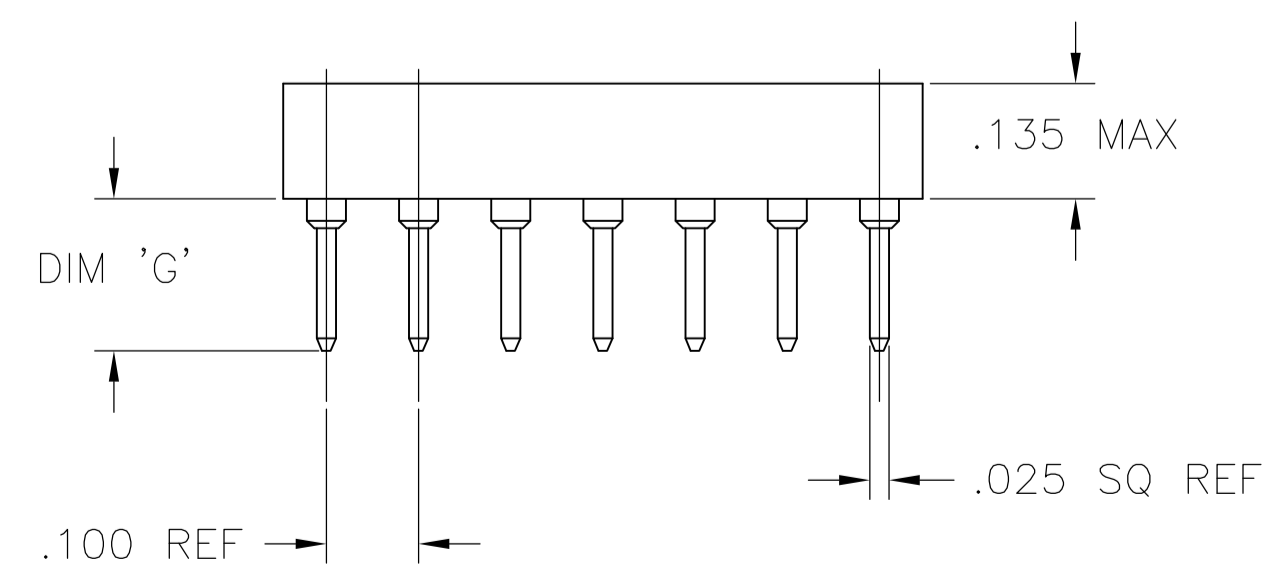
CONTACT RESISTANCE: 10 MILLIOHMS MAX
 CONTACT RATING: 3 AMPS
 CAPACITANCE: 1.0 pF PER MIL-STD-202, METHOD 305
 INSULATION RESISTANCE: 5000 MOHMS MIN @ 500 VDC PER EIA-364-21
 DIELECTRIC WITHSTANDING VOLTAGE: 1000 VOLTS (RMS) PER EIA-364-20

MECHANICAL:

AFTER INSERTION FORCE:
 134 GRAMS AVG (4 BEAM PREMIUM) 179 GRAMS AVG (4 BEAM ECONOMY)
 AFTER WITHDRAWAL FORCE:
 63 GRAMS AVG (4 BEAM PREMIUM OR ECONOMY)

ENVIRONMENTAL:

OPERATING TEMPERATURE: -55°C TO -105°C



SEE SHEETS 2 & 3 FOR PART NUMBER TABLES

THIS DRAWING IS A CONTROLLED DOCUMENT.		DIN	BSV	-
DIMENSIONS: INCHES		CHK	K. WRIGHT	-
TOLERANCES UNLESS OTHERWISE SPECIFIED:		APPD	K. WRIGHT	-
0 PLC	± -	PRODUCT SPEC		
1 PLC	± -	APPLICATION SPEC		
2 PLC	± -	WEIGHT		
3 PLC	± .005	SIZE	A1	00779
4 PLC	± -	CAGE CODE		1437532
ANGLES	± -	DRAWING NO		1437532
FINISH	-	RESTRICTED TO		
MATERIAL		CUSTOMER DRAWING	SCALE	4:1
		SHEET	1	OF 3
		REV		01

OBSOLETE
 SUPERCEDED BY 7-1437532-0

OBSOLETE
 SUPERCEDED BY 5-1437532-9

OBSOLETE
 SUPERCEDED BY 8-1437531-7

OBSOLETE
 SUPERCEDED BY 4-1437531-9

OBSOLETE
 SUPERCEDED BY 2-1437531-5

7	2	.510	.595/.565	.150	.500	.900	1.500	1.900	2.000	40	6-1437534-9
6	2	.370	.455/.425	.150	.500	.900	1.500	1.900	2.000	40	7-1437534-0
5	2	.510	.595/.565	.150	.500	.900	1.500	1.900	2.000	40	8-1437532-2
4	2	.370	.455/.425	.150	.500	.900	1.500	1.900	2.000	40	7-1437532-9
4	2	.510	.595/.565	.150	.500	.900	1.500	1.900	2.000	40	7-1437532-8
7	2	.510	.595/.565	.150	.500	.900	1.500	1.700	1.800	36	7-1437532-3
5	2	.510	.595/.565	.150	.500	.900	1.500	1.700	1.800	36	7-1437833-0
4	2	.510	.595/.565	.150	.500	.900	1.500	1.700	1.800	36	7-1437532-0
6	2	.370	.455/.425	.150	-	.400	.900	1.500	1.600	32	6-1437532-4
5	2	.510	.595/.565	.150	-	.400	.900	1.500	1.600	32	6-1437532-3
4	2	.370	.455/.425	.150	-	.400	.900	1.500	1.600	32	6-1447289-3
4	2	.510	.595/.565	.150	-	.400	.900	1.500	1.600	32	5-1437532-9
7	2	.510	.595/.565	.150	-	.400	.900	1.300	1.400	28	5-1437534-3
6	2	.370	.455/.425	.150	-	.400	.900	1.300	1.400	28	4-1437532-0
5	2	.510	.595/.565	.150	-	.400	.900	1.300	1.400	28	3-1437532-9
4	2	.510	.595/.565	.150	-	.400	.900	1.300	1.400	28	3-1437532-4
5	4	.510	.595/.565	.150	-	-	.900	1.100	1.200	24	2-1437532-6
4	4	.510	.595/.565	.150	-	-	.900	1.100	1.200	24	2-1437532-4
7	2	.510	.595/.565	.150	-	.400	.900	1.100	1.200	24	1-1437532-8
6	2	.370	.455/.425	.150	-	.400	.900	1.100	1.200	24	1-1437532-6
5	2	.510	.595/.565	.150	-	.400	.900	1.100	1.200	24	1-1437532-5
4	2	.370	.455/.425	.150	-	.400	.900	1.100	1.200	24	1-1437532-2
4	2	.510	.595/.565	.150	-	.400	.900	1.100	1.200	24	1-1437532-1
7	1	.510	.595/.565	.175	-	-	.800	1.000	1.150	22	1437532-4
5	1	.510	.595/.565	.175	-	-	.800	1.000	1.150	22	4-1437534-9
4	1	.510	.595/.565	.175	-	-	.800	1.000	1.150	22	1437532-1
8	1	.370	.455/.425	.250	-	-	.500	.900	1.000	20	8-1437531-8
7	1	.510	.595/.565	.250	-	-	.500	.900	1.000	20	8-1437531-7
6	1	.370	.455/.425	.250	-	-	.500	.900	1.000	20	8-1437531-5
5	1	.510	.595/.565	.250	-	-	.500	.900	1.000	20	8-1437531-4
4	1	.370	.455/.425	.250	-	-	.500	.900	1.000	20	8-1437531-1
4	1	.510	.595/.565	.250	-	-	.500	.900	1.000	20	8-1437531-0
6	1	.370	.455/.425	.150	-	-	.600	.800	.900	18	7-1437531-2
5	1	.510	.595/.565	.150	-	-	.600	.800	.900	18	7-1437531-1
4	1	.510	.595/.565	.150	-	-	.600	.800	.900	18	6-1437531-6
8	1	.370	.455/.425	.150	-	-	.500	.700	.800	16	5-1437531-0
7	1	.510	.595/.565	.150	-	-	.500	.700	.800	16	4-1437531-9
6	1	.370	.455/.425	.150	-	-	.500	.700	.800	16	4-1437531-6
5	1	.510	.595/.565	.150	-	-	.500	.700	.800	16	4-1437531-5
4	1	.370	.455/.425	.150	-	-	.500	.700	.800	16	4-1437531-2
4	1	.510	.595/.565	.150	-	-	.500	.700	.800	16	4-1437531-1
8	1	.370	.455/.425	.150	-	-	.400	.600	.700	14	2-1437531-6
7	1	.510	.595/.565	.150	-	-	.400	.600	.700	14	2-1437531-5
6	1	.370	.455/.425	.150	-	-	.400	.600	.700	14	2-1437531-3
5	1	.510	.595/.565	.150	-	-	.400	.600	.700	14	2-1437531-2
4	1	.370	.455/.425	.150	-	-	.400	.600	.700	14	1-1437531-9
4	1	.510	.595/.565	.150	-	-	.400	.600	.700	14	1-1437531-8
7	3	.510	.595/.565	.200	-	-	-	.300	.400	8	8-1437529-4
6	3	.370	.455/.425	.200	-	-	-	.300	.400	8	8-1437529-2
5	3	.510	.595/.565	.200	-	-	-	.300	.400	8	8-1437529-1
4	3	.370	.455/.425	.200	-	-	-	.300	.400	8	7-1437529-7
4	3	.510	.595/.565	.200	-	-	-	.300	.400	8	7-1437529-6
6	3	.370	.455/.425	-	-	-	-	.200	.300	6	7-1437529-0
5	3	.510	.595/.565	-	-	-	-	.200	.300	6	6-1437529-9
4	3	.510	.595/.565	-	-	-	-	.200	.300	6	6-1437529-6

FINISH	FIG	H	G	F	E	D	C	B	"A" MAX	NO. OF POSN	PART NO.
--------	-----	---	---	---	---	---	---	---	---------	-------------	----------

PREMIUM VERSION PART NUMBERS

SEE SHEET 3 FOR ECONOMY VERSION PART NUMBERS

THIS DRAWING IS A CONTROLLED DOCUMENT.

DIMENSIONS: INCHES

TOLERANCES UNLESS OTHERWISE SPECIFIED:

0. PLC	± .005
1. PLC	± .005
2. PLC	± .005
3. PLC	± .005
4. PLC	± .005
ANGLES	± .005

MATERIAL: - FINISH: -

DWN: BSV -
 CHK: K. WRIGHT -
 APVD: K. WRIGHT -
 NAME: -
 PRODUCT SPEC: -
 APPLICATION SPEC: -
 WEIGHT: -
 CUSTOMER DRAWING

TE Connectivity

CLOSED FRAME DIP, PREMIUM LEAD FREE (REF AUGAT 500 SERIES) PREMIUM (MACHINED CONTACT)

SIZE: A1 CASE CODE: 00779 DRAWING NO: 1437532 RESTRICTED TO: -
 SCALE: 4:1 SHEET 2 OF 3 REV 01

SUPERCEDED BY 8-1437532-2		2	.510	.595/.565	.150	.500	.900	1.500	1.900	2.000	40	7-1437536-8
SUPERCEDED BY 8-1437532-2		2	.510	.595/.565	.150	.500	.900	1.500	1.900	2.000	40	7-1437536-7
SUPERCEDED BY 6-1437532-3		2	.510	.595/.565	.150	-	.400	.900	1.500	1.600	32	6-1437536-7
SUPERCEDED BY 6-1437532-3		2	.510	.595/.565	.150	-	.400	.900	1.500	1.600	32	6-1437536-6
SUPERCEDED BY 3-1437532-9		2	.510	.595/.565	.150	-	.400	.900	1.300	1.400	28	5-1437536-9
SUPERCEDED BY 3-1437532-9		2	.510	.595/.565	.150	-	.400	.900	1.300	1.400	28	5-1437536-8
SUPERCEDED BY 3-1437532-4		2	.510	.595/.565	.150	-	.400	.900	1.300	1.400	28	5-1437536-4
SUPERCEDED BY 2-1437532-6		4	.510	.595/.565	.150	-	.400	.900	1.100	1.200	24	5-1437536-1
SUPERCEDED BY 1-1437532-5		2	.510	.595/.565	.150	-	.400	.900	1.100	1.200	24	4-1437536-4
SUPERCEDED BY 1-1437532-5		2	.510	.595/.565	.150	-	.400	.900	1.100	1.200	24	4-1437536-3
SUPERCEDED BY 4-1437534-9		1	.510	.595/.565	.175	-	-	.800	1.000	1.150	22	3-1437536-6
SUPERCEDED BY 8-1437531-4		1	.510	.595/.565	.250	-	-	.500	.900	1.000	20	2-1437536-9
SUPERCEDED BY 8-1437531-4		1	.510	.595/.565	.250	-	-	.500	.900	1.000	20	2-1437536-8
SUPERCEDED BY 8-1437531-0		1	.510	.595/.565	.250	-	-	.500	.900	1.000	20	2-1437536-4
SUPERCEDED BY 7-1437531-1		1	.510	.595/.565	.150	-	-	.600	.800	.900	18	1-1437536-8
SUPERCEDED BY 7-1437531-1		1	.510	.595/.565	.150	-	-	.600	.800	.900	18	1-1437536-7
SUPERCEDED BY 6-1437531-6		1	.510	.595/.565	.150	-	-	.600	.800	.900	18	6-1437531-7
SUPERCEDED BY 4-1437531-5		1	.510	.595/.565	.150	-	-	.500	.700	.800	16	4-1437531-7
SUPERCEDED BY 4-1437531-5		1	.510	.595/.565	.150	-	-	.500	.700	.800	16	1437536-9
SUPERCEDED BY 4-1437531-6		1	.370	.455/.425	.150	-	-	.500	.700	.800	16	1437536-8
SUPERCEDED BY 4-1437531-1		1	.510	.595/.565	.150	-	-	.500	.700	.800	16	1437536-4
SUPERCEDED BY 2-1437531-2		1	.510	.595/.565	.150	-	-	.400	.600	.700	14	9-1437535-6
SUPERCEDED BY 2-1437531-2		1	.510	.595/.565	.150	-	-	.400	.600	.700	14	9-1437535-5
SUPERCEDED BY 1-1437531-8		1	.510	.595/.565	.150	-	-	.400	.600	.700	14	9-1437535-2
SUPERCEDED BY 8-1437529-1		3	.510	.595/.565	.200	-	-	-	.300	.400	8	1-1437535-7
SUPERCEDED BY 8-1437529-1		3	.510	.595/.565	.200	-	-	-	.300	.400	8	1-1437535-6
SUPERCEDED BY 6-1437529-9		3	.510	.595/.565	-	-	-	-	.200	.300	6	1-1437535-0
SUPERCEDED BY 6-1437529-6		3	.510	.595/.565	-	-	-	-	.200	.300	6	6-1437529-7

FINISH	FIG	H	G	F	E	D	C	B	"A" MAX	NO. OF POSN	PART NO.
--------	-----	---	---	---	---	---	---	---	---------	-------------	----------

ECONOMY VERSION PART NUMBERS

SEE SHEET 2 FOR PREMIUM VERSION PART NUMBERS

THIS DRAWING IS A CONTROLLED DOCUMENT.		DIN	BSV	-	TE Connectivity			
DIMENSIONS: INCHES		CHK	K. WRIGHT	-				
TOLERANCES UNLESS OTHERWISE SPECIFIED:		APVD	K. WRIGHT	-	NAME CLOSED FRAME DIP, PREMIUM LEAD FREE (REF AUGAT 500 SERIES) PREMIUM (MACHINED CONTACT)			
0. PLC ± - 1. PLC ± - 2. PLC ± - 3. PLC ± .005 4. PLC ± - ANGLES ± -		PRODUCT SPEC	-	-				
MATERIAL		APPLICATION SPEC	-	-	SIZE	CAGE CODE	DRAWING NO	RESTRICTED TO
FINISH		WEIGHT	-	-	A1	00779	1437532	-
		CUSTOMER DRAWING	-	-	SCALE	4:1	SHEET	3 OF 3
					REV	01		

X-ON Electronics

Largest Supplier of Electrical and Electronic Components

Click to view similar products for [IC & Component Sockets](#) category:

Click to view products by [TE Connectivity](#) manufacturer:

Other Similar products are found below :

[714-43-102-31-012000](#) [0066-3-17-15-30-14-02-0](#) [0134-0-15-15-32-27-04-0](#) [614-DG5](#) [6527-0-00-15-00-00-03-0](#) [670](#) [672](#) [673](#) [712-93-120-41-001000](#) [714-93-104-31-018000](#) [8059-4G1-LF](#) [807-22-001-10-001101](#) [807-22-001-10-003101](#) [807-22-001-10-004101](#) [807-22-001-10-006101](#) [807-22-001-30-011101](#) [807-22-001-30-012101](#) [807-22-001-30-013101](#) [807-22-001-30-014101](#) [8-1437531-4](#) [8150-6P10](#) [833-93-034-10-001000](#) [835-43-014-10-001000](#) [851-41-006-10-001000](#) [851-43-008-20-001000](#) [851-43-014-20-001000](#) [851-93-006-20-001000](#) [851-93-010-20-001000](#) [852-10-026-10-001000](#) [853-43-020-10-001000](#) [86.010.0053.0](#) [116-43-306-41-003000](#) [116-43-308-41-007000](#) [116-87-308-41-007101](#) [PX-68LCC](#) [PX-84LCC](#) [121-13-318-41-001000](#) [121-13-320-41-001000](#) [121-13-308-41-001000](#) [123-43-314-41-801000](#) [123-43-420-41-001000](#) [123-43-636-41-001000](#) [123-87-320-41-001101](#) [122-13-316-41-001000](#) [123-13-624-41-001000](#) [123-43-306-41-001000](#) [123-43-322-41-801000](#) [123-43-428-41-001000](#) [123-43-624-41-001000](#) [12-3513-11](#)