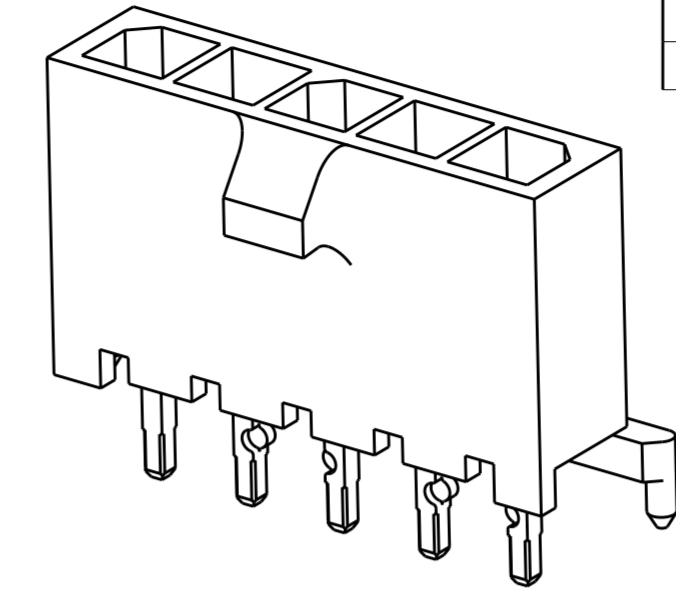
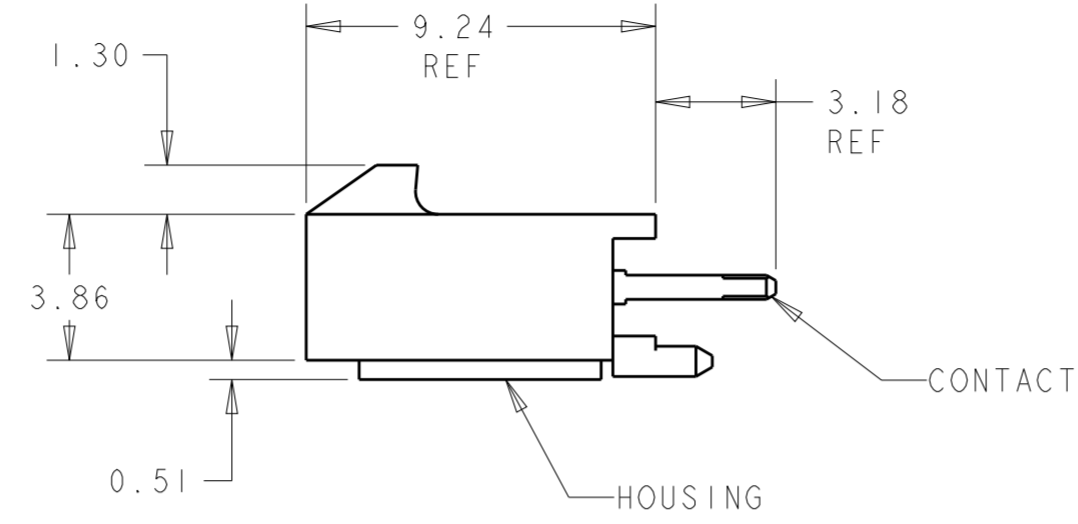
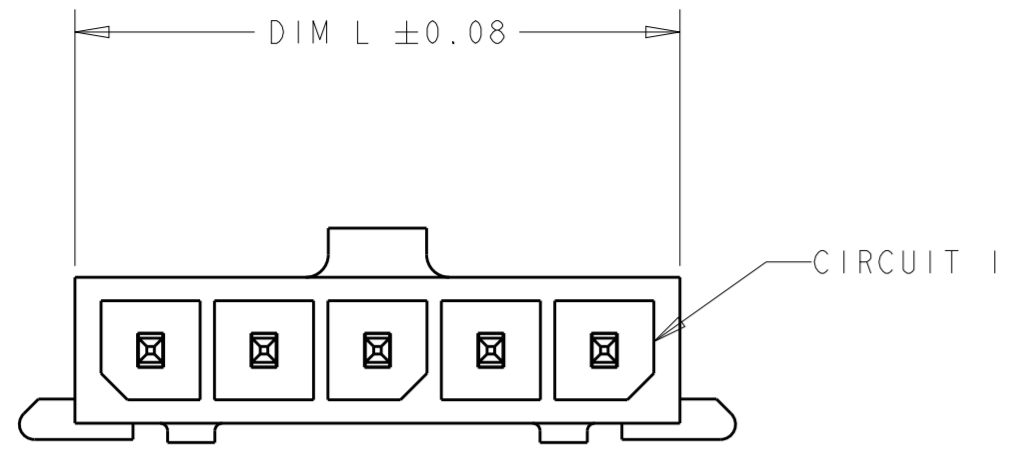
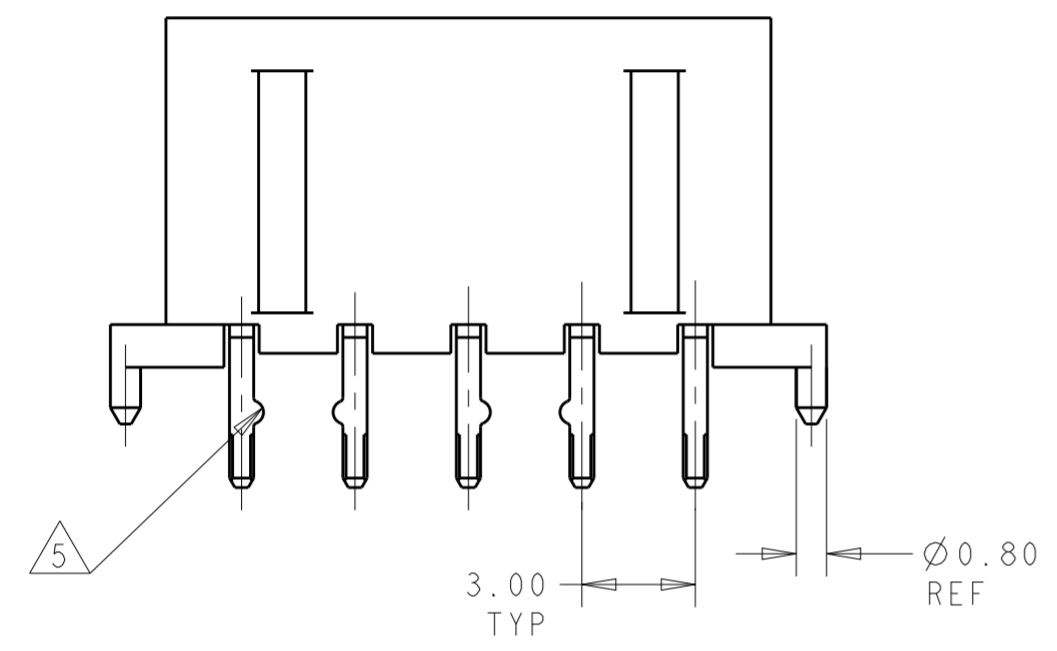


THIS DRAWING IS UNPUBLISHED. RELEASED FOR PUBLICATION 20
 © COPYRIGHT 20 BY - ALL RIGHTS RESERVED.

REVISIONS				
P	LTR	DESCRIPTION	DATE	APVD
B5		REVISED PER ECR-16-011494	20JUN2017	NK CX
B6		ECO-19-006934	13MAY2019	AP WS

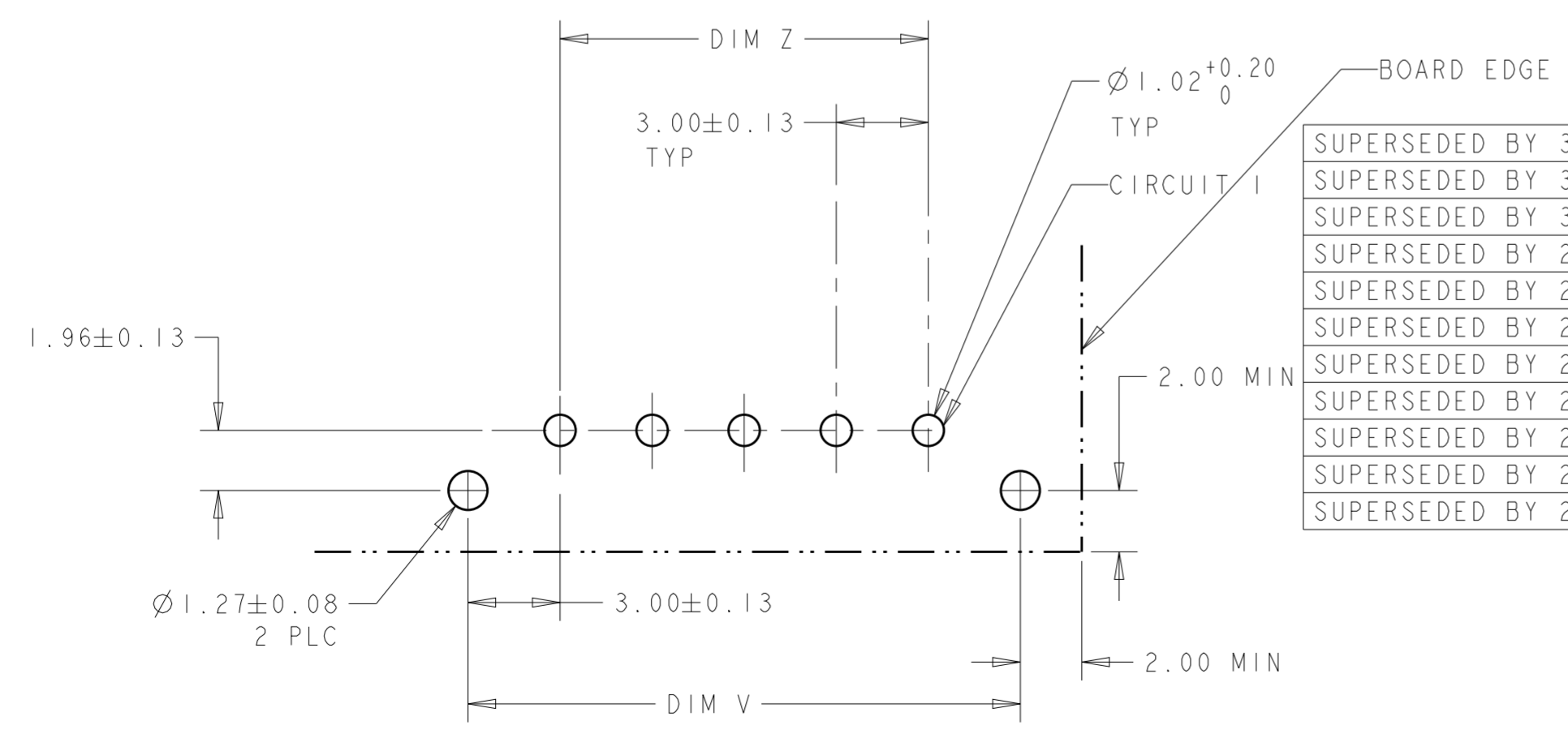


- 1 MATERIAL: CONTACTS - BRASS
HOUSING - UL 94V-0 RATED HIGH TEMP NYLON, COLOR BLACK.
- 2 PLATING: CONTACTS - 2.54µm MINIMUM TIN-LEAD OVER 1.27µm MINIMUM NICKEL.
- 4 RECOMMENDED PC BOARD THICKNESS OF 1.57.
- 5 RETENTION BUMP FEATURES FACE EACH OTHER, TYPICAL ALL CONFIGURATIONS.
- 6 PLATING: CONTACTS - 2.54µm MINIMUM MATTE TIN OVER 1.27µm MINIMUM NICKEL.
- 7 SELECTIVE LOADED CONFIGURATION.



7	
1, 4, 7, 10	4-1445050-0
PIN INSERTED	PART NUMBER

7	6	1, 4, 7, 10	27.00	33.14	31.00	10	4-1445050-0
6	6	1, 2, 11, 12	33.00	39.14	37.00	12	3-1445050-2
6	6	1, 2, 9, 10	30.00	36.14	34.00	11	3-1445050-1
6	6	1, 2, 9, 10	27.00	33.14	31.00	10	3-1445050-0
6	6	1, 2, 7, 8	24.00	30.14	28.00	9	2-1445050-9
6	6	1, 2, 7, 8	21.00	27.14	25.00	8	2-1445050-8
6	6	1, 2, 5, 6	18.00	24.14	22.00	7	2-1445050-7
6	6	1, 2, 5, 6	15.00	21.14	19.00	6	2-1445050-6
6	6	1, 2, 3, 4	12.00	18.14	16.00	5	2-1445050-5
6	6	1, 2, 3, 4	9.00	15.14	13.00	4	2-1445050-4
6	6	1, 2	6.00	12.14	10.00	3	2-1445050-3
6	6	1, 2	3.00	9.14	7.00	2	2-1445050-2
2	2	1, 2, 11, 12	33.00	39.14	37.00	12	+1445050-2
2	2	1, 2, 9, 10	30.00	36.14	34.00	11	+1445050-1
2	2	1, 2, 9, 10	27.00	33.14	31.00	10	+1445050-0
2	2	1, 2, 7, 8	24.00	30.14	28.00	9	+445050-9
2	2	1, 2, 7, 8	21.00	27.14	25.00	8	+445050-8
2	2	1, 2, 5, 6	18.00	24.14	22.00	7	+445050-7
2	2	1, 2, 5, 6	15.00	21.14	19.00	6	+445050-6
2	2	1, 2, 3, 4	12.00	18.14	16.00	5	+445050-5
2	2	1, 2, 3, 4	9.00	15.14	13.00	4	+445050-4
2	2	1, 2	6.00	12.14	10.00	3	+445050-3
2	2	1, 2	3.00	9.14	7.00	2	+445050-2
FINISH	CON POS W/RET BUMP	5	DIM Z	DIM V	DIM L	NO. OF POSN	PART NUMBER



SUPERSEDED BY 3-1445050-2
SUPERSEDED BY 3-1445050-1
SUPERSEDED BY 3-1445050-0
SUPERSEDED BY 2-1445050-9
SUPERSEDED BY 2-1445050-8
SUPERSEDED BY 2-1445050-7
SUPERSEDED BY 2-1445050-6
SUPERSEDED BY 2-1445050-5
SUPERSEDED BY 2-1445050-4
SUPERSEDED BY 2-1445050-3
SUPERSEDED BY 2-1445050-2

PCB LAYOUT COMPONENT SIDE 4

THIS DRAWING IS A CONTROLLED DOCUMENT.

DWN J. ROOT 08OCT2000
 CHK K. WHITAKER 19OCT2000
 APVD K. WHITAKER 12-MAR-2001

PRODUCT SPEC 108-1836
 APPLICATION SPEC 114-13000

NAME VERTICAL THRU HOLE HEADER ASSY, TIN CONTACTS W/PCB POLARIZATION FEATURE, SINGLE ROW, MICRO MATE-N-LOK™

SIZE A2 CAGE CODE 00779 DRAWING NO. C-1445050

RESTRICTED TO -

CUSTOMER DRAWING SCALE 5:1 SHEET 1 OF 1 REV B6

X-ON Electronics

Largest Supplier of Electrical and Electronic Components

Click to view similar products for [Headers & Wire Housings](#) category:

Click to view products by [TE Connectivity](#) manufacturer:

Other Similar products are found below :

[892-18-020-10-001101](#) [58102-G61-06LF](#) [582553-1](#) [0009485154](#) [009176003701906](#) [0050291907](#) [LY20-4P-DT1-P1E-BR](#) [02.125.8002.8](#)
[609-3404](#) [61062-3](#) [61082-181009](#) [622-3653LF](#) [63453-116](#) [636-1030](#) [636-1427](#) [636-3427](#) [636-4007](#) [641938-9](#) [641991-4](#) [644827-2](#) [65817-](#)
[010LF](#) [65817-015LF](#) [65863-015LF](#) [66207-023LF](#) [67095-007LF](#) [67601157](#) [68645-018](#) [68648-049](#) [70.362.1628.0](#) [70-4210](#) [70-4226B](#) [70-](#)
[4853B](#) [707-5020](#) [707-5028](#) [71.350.2428.0](#) [71918-208LF](#) [71961-016LF](#) [733-134](#) [733-162](#) [754199-000](#) [760-3052](#) [79531-3000](#) [FCN-](#)
[360C032-B](#) [FCN-367T-T012/H](#) [FCN-723D010/2](#) [80.063.4001.1](#) [800-90-010-10-002000](#) [801-43-002-10-013000](#) [801-43-006-10-002000](#)
[801-93-011-10-001000](#)