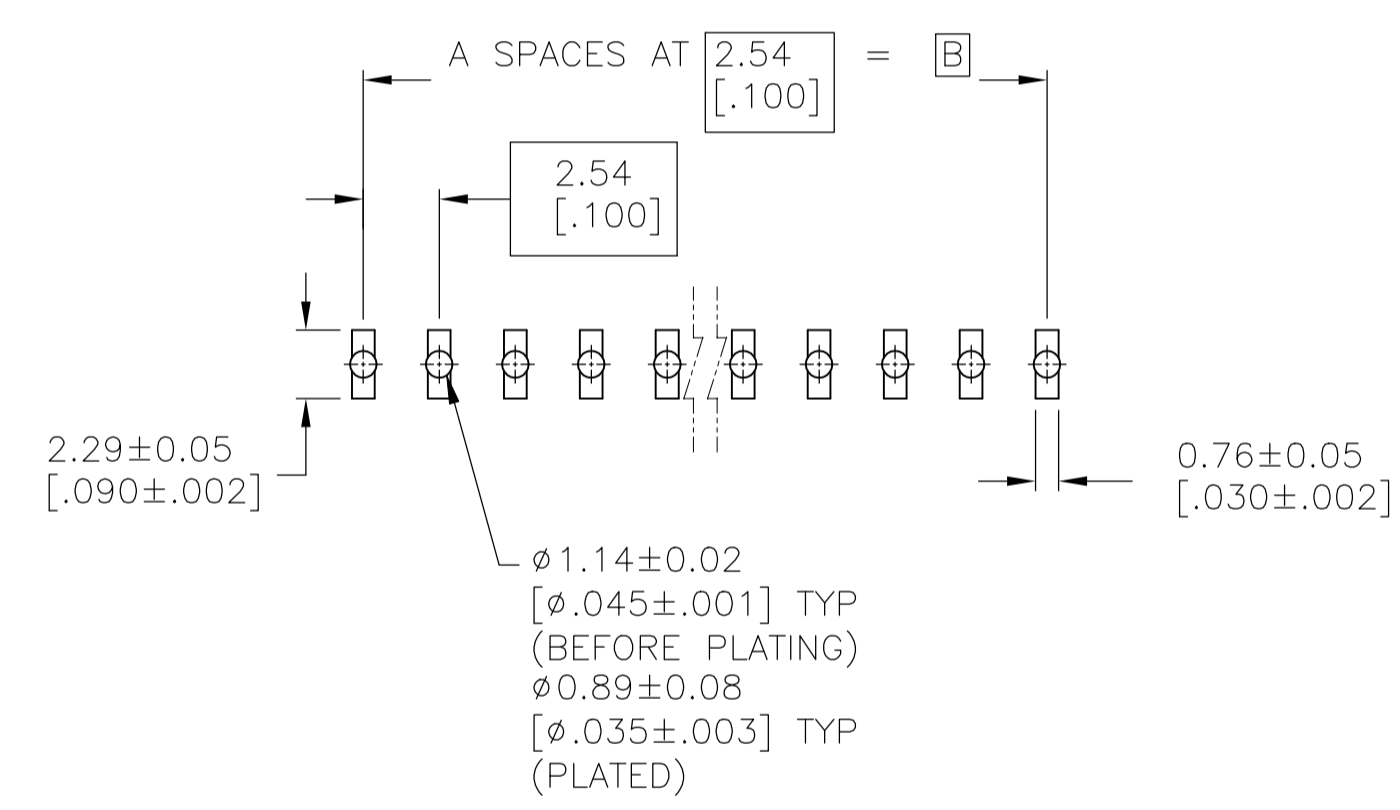
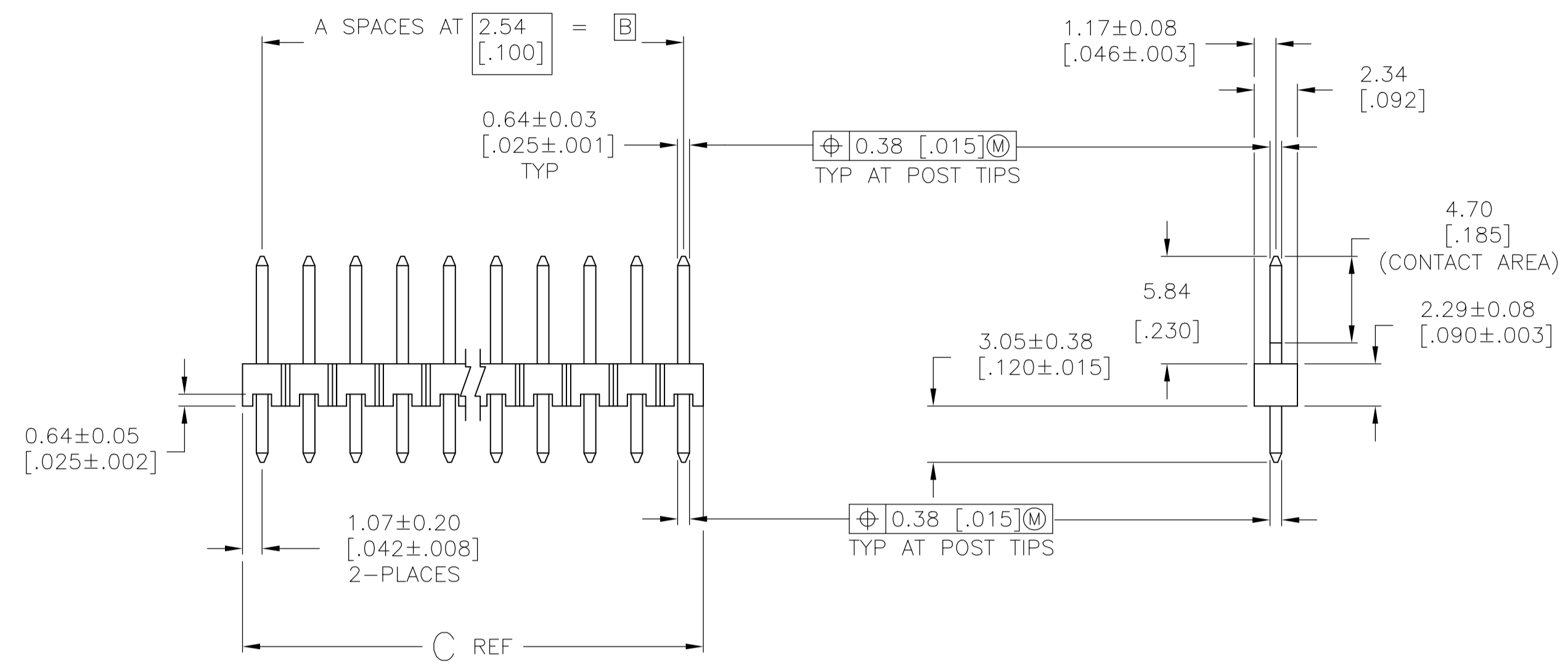


REVISIONS					
P	LTR	DESCRIPTION	DATE	DRN	APVD
H1	REVISED PER ECO-16-012733		31AUG2016	NK	MM
H2	REVISED PER ECO-18-008365		30MAY2018	RS	MM



RECOMMENDED PC BOARD MOUNTING DIMENSIONS FOR .063 [1.60] THICK PC BOARD AND .012 [.305] STENCIL THICK.

- ASSEMBLY MAY BE BROKEN TO THE DESIRED NUMBER OF POSITIONS.
- TRUE POSITION TOLERANCE OF THE POST TIPS APPLIES WHEN THE HEADERS ARE HELD FLAT AGAINST THE PRINTED CIRCUIT BOARD.
- 0.000381 [.000015] GOLD IN CONTACT AREA, 0.00254-0.00508 [.0000100-.0000200] MATTE TIN-LEAD ON SOLDER TAIL, ALL OVER 0.00127 [.000050] NICKEL.
- MATERIAL: HOUSING - LCP, COLOR: BLACK. POSTS - COPPER ALLOY.
- 0.000381 [.000015] GOLD IN CONTACT AREA, 0.00254-0.00508 [.0000100-.0000200] MATTE TIN ON SOLDER TAIL, ALL OVER 0.00127 [.000050] NICKEL.
- OBsolete PARTS: OBsolete CIS STREAMLINING PER D.RENAUD/D.SINISI.

5	101.19	99.06	39	40	9-146280-0
5	98.65	96.52	38	39	6-8-146280-9
5	96.11	93.98	37	38	6-8-146280-8
5	93.57	91.44	36	37	6-8-146280-7
5	91.03	88.90	35	36	8-146280-6
5	88.49	86.36	34	35	6-8-146280-5
5	85.95	83.82	33	34	6-8-146280-4
5	83.41	81.28	32	33	6-8-146280-3
5	80.87	78.74	31	32	6-8-146280-2
5	78.33	76.20	30	31	6-8-146280-1
5	75.79	73.66	29	30	8-146280-0
5	73.25	71.12	28	29	6-7-146280-9
5	70.71	68.58	27	28	6-7-146280-8
5	68.17	66.04	26	27	6-7-146280-7
5	65.63	63.5	25	26	7-146280-6
5	63.09	60.96	24	25	6-7-146280-5
5	60.55	58.42	23	24	6-7-146280-4
5	58.01	55.88	22	23	6-7-146280-3
5	55.47	53.34	21	22	6-7-146280-2
5	52.93	50.80	20	21	6-7-146280-1
5	50.39	48.26	19	20	6-7-146280-0
5	47.85	45.72	18	19	6-146280-9
5	45.31	43.18	17	18	6-146280-8
5	42.77	40.64	16	17	6-146280-7
5	40.23	38.10	15	16	6-146280-6
5	37.69	35.56	14	15	6-146280-5
5	35.15	33.02	13	14	6-146280-4
5	32.61	30.48	12	13	6-146280-3
5	30.07	27.94	11	12	6-146280-2
5	27.53	25.40	10	11	6-146280-1
5	24.99	22.86	9	10	6-146280-0
5	22.45	20.32	8	9	5-146280-9
5	19.91	17.78	7	8	5-146280-8
5	17.37	15.24	6	7	5-146280-7
5	14.83	12.70	5	6	5-146280-6
5	12.29	10.16	4	5	5-146280-5
5	9.75	7.62	3	4	5-146280-4
5	7.21	5.08	2	3	5-146280-3
5	4.67	2.54	1	2	5-146280-2
5	2.13	-	0	1	5-146280-1
PLATING	C	B	A	NO. OF POSITIONS	PART NUMBER

5	7.21	5.08	2	3	5-146280-3
3	101.19	99.06	39	40	4-146280-0
3	98.65	96.52	38	39	6-3-146280-9
3	96.11	93.98	37	38	6-3-146280-8
3	93.57	91.44	36	37	6-3-146280-7
3	91.03	88.90	35	36	6-3-146280-6
3	88.49	86.36	34	35	6-3-146280-5
3	85.95	83.82	33	34	6-3-146280-4
3	83.41	81.28	32	33	6-3-146280-3
3	80.87	78.74	31	32	6-3-146280-2
3	78.33	76.20	30	31	6-3-146280-1
3	75.79	73.66	29	30	6-3-146280-0
3	73.25	71.12	28	29	6-2-146280-9
3	70.71	68.58	27	28	6-2-146280-8
3	68.17	66.04	26	27	6-2-146280-7
3	65.63	63.5	25	26	6-2-146280-6
3	63.09	60.96	24	25	6-2-146280-5
3	60.55	58.42	23	24	6-2-146280-4
3	58.01	55.88	22	23	6-2-146280-3
3	55.47	53.34	21	22	6-2-146280-2
3	52.93	50.80	20	21	6-2-146280-1
3	50.39	48.26	19	20	6-2-146280-0
3	47.85	45.72	18	19	6-1-146280-9
3	45.31	43.18	17	18	6-1-146280-8
3	42.77	40.64	16	17	6-1-146280-7
3	40.23	38.10	15	16	6-1-146280-6
3	37.69	35.56	14	15	6-1-146280-5
3	35.15	33.02	13	14	6-1-146280-4
3	32.61	30.48	12	13	6-1-146280-3
3	30.07	27.94	11	12	6-1-146280-2
3	27.53	25.40	10	11	6-1-146280-1
3	24.99	22.86	9	10	6-1-146280-0
3	22.45	20.32	8	9	6-146280-9
3	19.91	17.78	7	8	6-146280-8
3	17.37	15.24	6	7	6-146280-7
3	14.83	12.70	5	6	6-146280-6
3	12.29	10.16	4	5	6-146280-5
3	9.75	7.62	3	4	6-146280-4
3	7.21	5.08	2	3	6-146280-3
3	4.67	2.54	1	2	6-146280-2
3	2.13	-	0	1	6-146280-1
PLATING	C	B	A	NO. OF POSITIONS	PART NUMBER

THIS DRAWING IS A CONTROLLED DOCUMENT. DWN T. HOFFMAN 6/12/95
 DW G. DUBNICZKI 3/18/96
 APVD G. DUBNICZKI 3/18/96

STE TE Connectivity Ltd.

HDR ASSY, MOD II, BREAKWAY, SINGLE ROW, HIGH TEM, VERTICAL W/.025 SQ POSTS, .100

SIZE CAGE CODE DRAWING NO. RESTRICTED TO
 A1 00779 C=146280

MATERIAL 4 FINISH SEE TABLE WEIGHT CUSTOMER DRAWING SCALE 4:1 SHEET 1 OF 1 REV H2

X-ON Electronics

Largest Supplier of Electrical and Electronic Components

Click to view similar products for [Headers & Wire Housings](#) category:

Click to view products by [TE Connectivity](#) manufacturer:

Other Similar products are found below :

[892-18-020-10-001101](#) [58102-G61-06LF](#) [582553-1](#) [0009485154](#) [009176003701906](#) [0050291907](#) [LY20-4P-DT1-P1E-BR](#) [02.125.8002.8](#)
[609-3404](#) [61062-3](#) [61082-181009](#) [622-3653LF](#) [63453-116](#) [636-1030](#) [636-1427](#) [636-3427](#) [636-4007](#) [641938-9](#) [641991-4](#) [644827-2](#) [65817-](#)
[010LF](#) [65817-015LF](#) [65863-015LF](#) [66207-023LF](#) [67095-007LF](#) [67601157](#) [68645-018](#) [68648-049](#) [70.362.1628.0](#) [70-4210](#) [70-4226B](#) [70-](#)
[4853B](#) [707-5020](#) [707-5028](#) [71.350.2428.0](#) [71918-208LF](#) [71961-016LF](#) [733-134](#) [733-162](#) [754199-000](#) [760-3052](#) [79531-3000](#) [FCN-](#)
[360C032-B](#) [FCN-367T-T012/H](#) [FCN-723D010/2](#) [80.063.4001.1](#) [800-90-010-10-002000](#) [801-43-002-10-013000](#) [801-43-006-10-002000](#)
[801-93-011-10-001000](#)