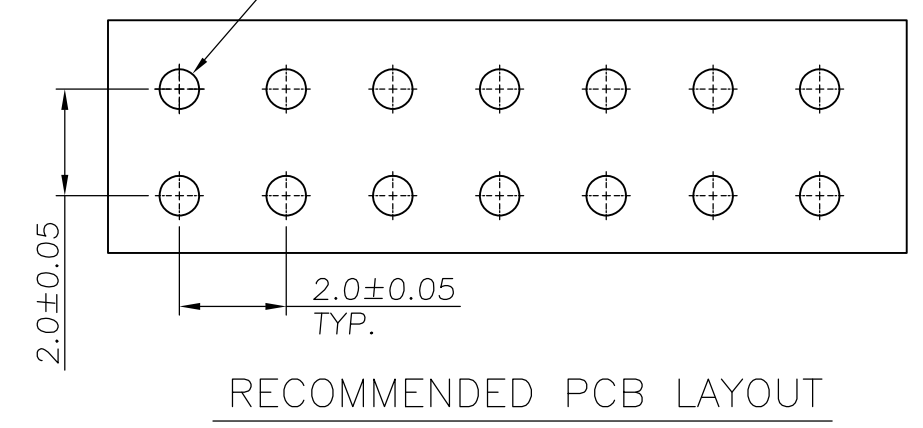
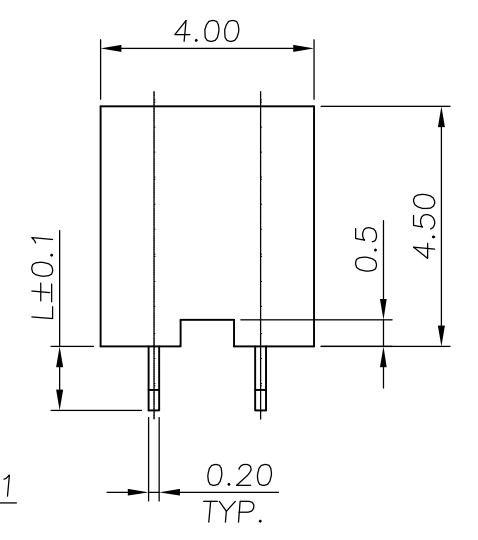
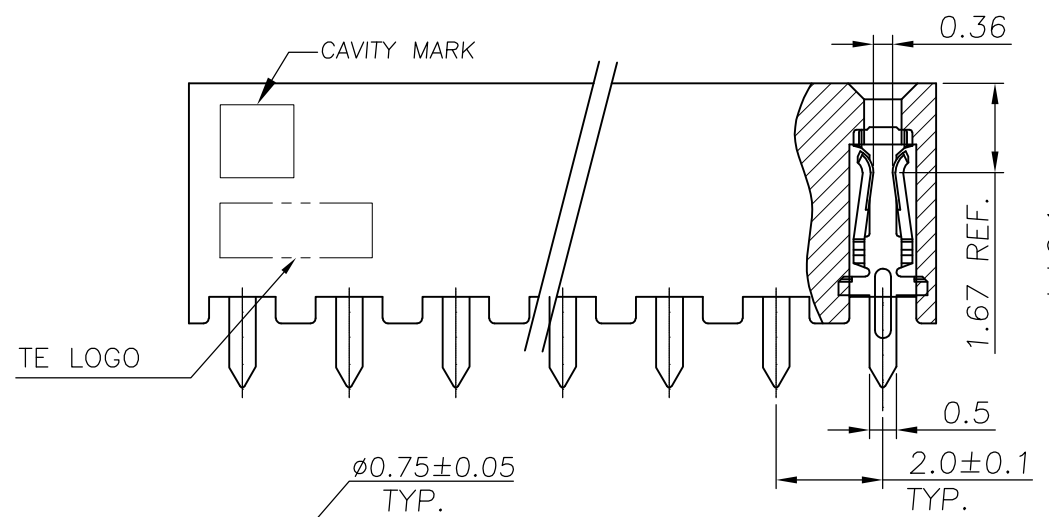
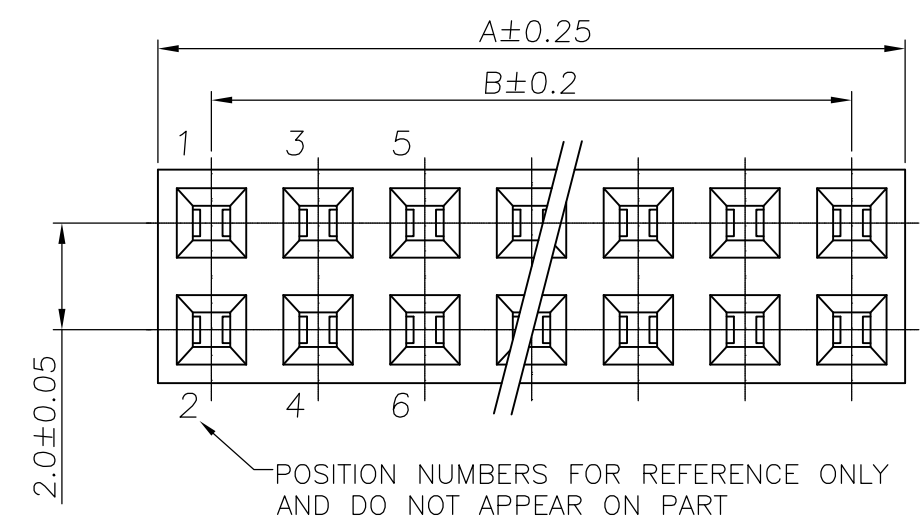
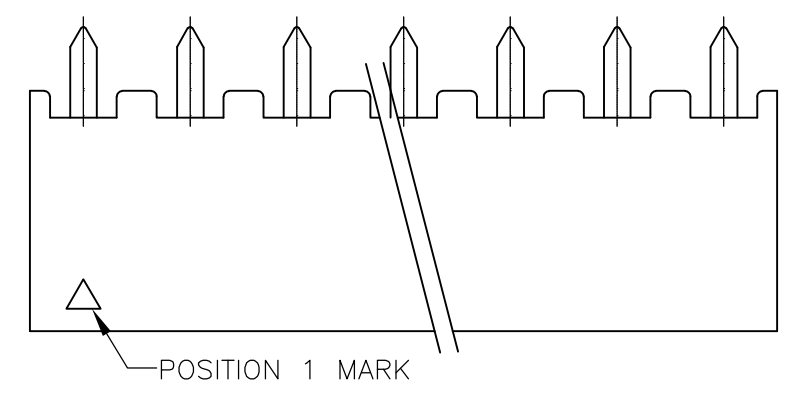


THIS DRAWING IS UNPUBLISHED
 RELEASED FOR PUBLICATION NOV, 2001.
 ALL RIGHTS RESERVED.

LOC	DIST	REVISIONS					
IR	-	P	LTR	DESCRIPTION	DATE	DWN	APVD
			E3	ECR-10-026537	27JUN11	KK	HMR

- NOTE:
- 1 MATERIAL :
HOUSING : NYLON 66 OR EQUIVALENT, UL94V-0, BLACK COLOUR.
CONTACT : COPPER ALLOY
 - 2 FINISH:
CONTACT : GOLD PLATED (SEE TABLE) ON CONTACT AREA
80μ" MIN. TIN PLATED ON SOLDER TAIL,
50μ" MIN. NICKEL UNDERPLATED ALL OVER.
3. APPLICATION :
SOLDERTAIL LENGTH 2.6 FOR PCB THICKNESS 1.6±0.1
1.2 FOR PCB THICKNESS 0.3 MAX.
4. KEYING POS. : HOUSING CAVITY MOLDED SHUT
5. QUALIFICATION TEST REPORT: 501-57197



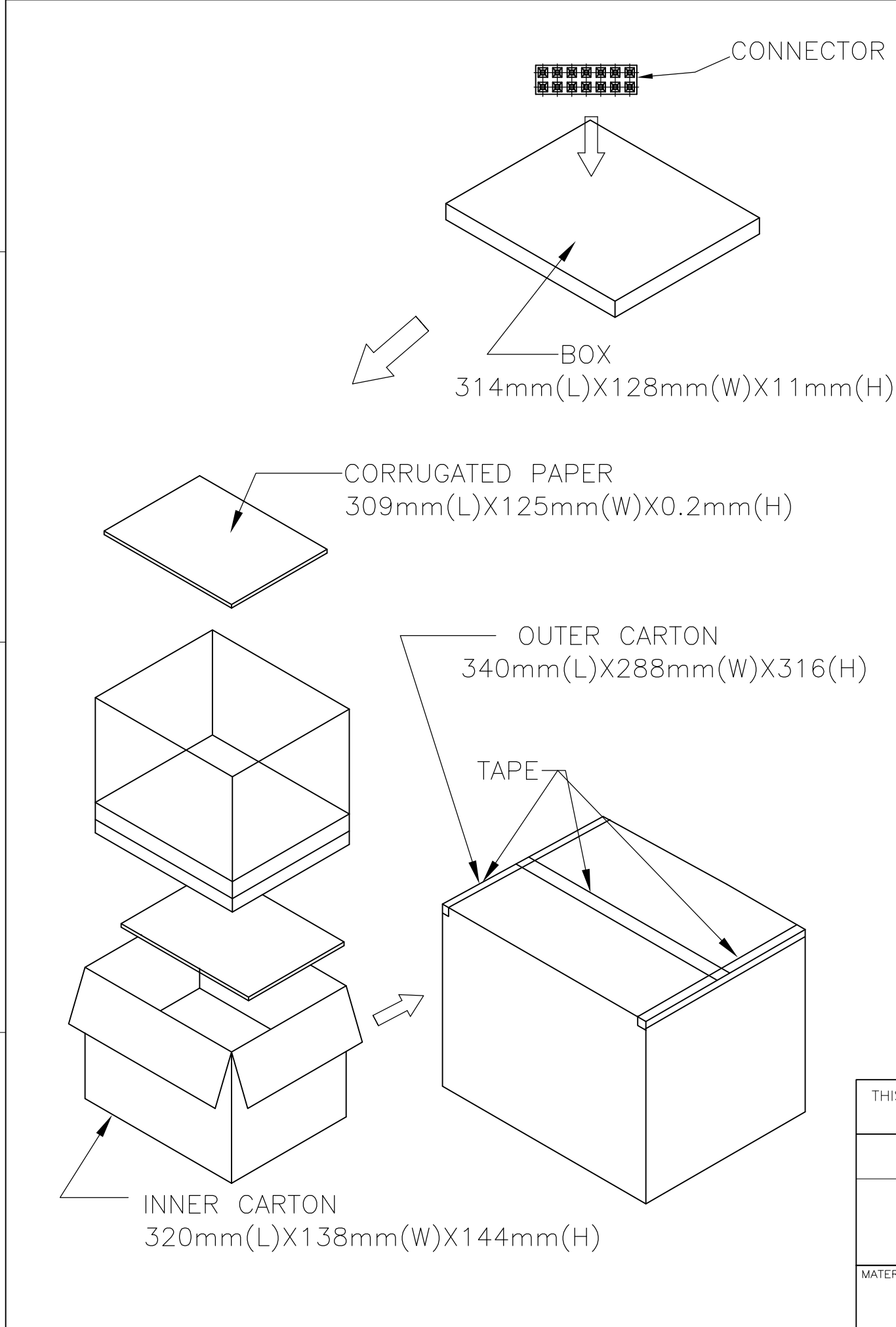
OBsolete		6	40	38	40	9	-9		OBsolete		6	40	38	40	4	-9	
OBsolete			50	48	50	9	-8		OBsolete			50	48	50	4	-8	
OBsolete			48	46	48	9	-7		OBsolete			48	46	48	4	-7	
OBsolete			46	44	46	9	-6		OBsolete			46	44	46	4	-6	
OBsolete			44	42	44	9	-5		OBsolete			44	42	44	4	-5	
OBsolete			42	40	42	9	-4		OBsolete			42	40	42	4	-4	
OBsolete			40	38	40	9	-3		OBsolete			40	38	40	4	-3	
OBsolete			38	36	38	9	-2		OBsolete			38	36	38	4	-2	
OBsolete			36	34	36	9	-1		OBsolete			36	34	36	4	-1	
OBsolete			34	32	34	9	0		OBsolete			34	32	34	4	0	
OBsolete			32	30	32	8	-9		OBsolete			32	30	32	3	-9	
OBsolete			30	28	30	8	-8		OBsolete			30	28	30	3	-8	
OBsolete			28	26	28	8	-7		OBsolete			28	26	28	3	-7	
OBsolete			26	24	26	8	-6		OBsolete			26	24	26	3	-6	
OBsolete			24	22	24	8	-5		OBsolete			24	22	24	3	-5	
OBsolete			22	20	22	8	-4		OBsolete			22	20	22	3	-4	
OBsolete			20	18	20	8	-3		OBsolete			20	18	20	3	-3	
OBsolete			18	16	18	8	-2		OBsolete			18	16	18	3	-2	
OBsolete			16	14	16	8	-1		OBsolete			16	14	16	3	-1	
OBsolete			14	12	14	8	0		OBsolete			14	12	14	3	0	
OBsolete			12	10	12	7	-9		OBsolete			12	10	12	2	-9	
OBsolete			10	8	10	7	-8		OBsolete			10	8	10	2	-8	
OBsolete			8	6	8	7	-7		OBsolete			8	6	8	2	-7	
OBsolete			6	4	6	7	-6		OBsolete			6	4	6	2	-6	
OBsolete			4	2	4	7	-5		OBsolete			4	2	4	2	-5	
OBsolete			50	48	50	7	-4		OBsolete			50	48	50	2	-4	
OBsolete			48	46	48	7	-3		OBsolete			48	46	48	2	-3	
OBsolete			46	44	46	7	-2		OBsolete			46	44	46	2	-2	
OBsolete			44	42	44	7	-1		OBsolete			44	42	44	2	-1	
OBsolete			42	40	42	7	0		OBsolete			42	40	42	2	0	
OBsolete			40	38	40	6	9		OBsolete			40	38	40	1	9	
OBsolete			38	36	38	6	8		OBsolete			38	36	38	1	8	
OBsolete			36	34	36	6	7		OBsolete			36	34	36	1	7	
OBsolete			34	32	34	6	6		OBsolete			34	32	34	1	6	
OBsolete			32	30	32	6	5		OBsolete			32	30	32	1	5	
OBsolete			30	28	30	6	4		OBsolete			30	28	30	1	4	
OBsolete			28	26	28	6	3		OBsolete			28	26	28	1	3	
OBsolete			26	24	26	6	2		OBsolete			26	24	26	1	2	
OBsolete			24	22	24	6	1		OBsolete			24	22	24	1	1	
OBsolete			22	20	22	6	0		OBsolete			22	20	22	1	0	
OBsolete			20	18	20	5	-9		OBsolete			20	18	20		-9	
OBsolete			18	16	18	5	-8		OBsolete			18	16	18		-8	
OBsolete			16	14	16	5	-7		OBsolete			16	14	16		-7	
OBsolete			14	12	14	5	-6		OBsolete			14	12	14		-6	
OBsolete			12	10	12	5	-5		OBsolete			12	10	12		-5	
OBsolete			10	8	10	5	-4		OBsolete			10	8	10		-4	
OBsolete			8	6	8	5	-3		OBsolete			8	6	8		-3	
OBsolete			6	4	6	5	-2		OBsolete			6	4	6		-2	
OBsolete			4	2	4	5	-1		OBsolete			4	2	4		-1	

THIS DRAWING IS A CONTROLLED DOCUMENT.

DIMENSIONS: mm	TOLERANCES UNLESS OTHERWISE SPECIFIED: 0 PLC ± - 1 PLC ± 0.15 2 PLC ± 0.10 3 PLC ± 0.05 4 PLC ± - ANGLES ± 3'	DWN O.HU 30-NOV-2001 CHK J.CHENG 30-NOV-2001 APVD J.WU 30-NOV-2001 PRODUCT SPEC 108-57197 APPLICATION SPEC -	TE Connectivity AMPMODU 2.0mm PITCH REC CONN,VERTICAL MOUNT TYPE			
MATERIAL 1	FINISH 2	WEIGHT -	SIZE A3	CAGE CODE -	DRAWING NO C-1470209	RESTRICTED TO -
CUSTOMER DRAWING		SCALE 1:1	SHEET 1 OF 2	REV E3		

THIS DRAWING IS UNPUBLISHED
 RELEASED FOR PUBLICATION NOV ,2001.
 ALL RIGHTS RESERVED.

LOC	DIST	REVISIONS					
IR	-	P	LTR	DESCRIPTION	DATE	DWN	APVD
		-		SEE SHEET 1	-	-	-



OBSOLETE	"L"	Pcs/Carton	Pcs/Inner Carton	Pcs/BOX	POS.	PART NUMBER
OBSOLETE	5040	1260	105	40	9	-9
OBSOLETE	4320	1080	90	50	9	-8
OBSOLETE	4320	1080	90	48	9	-7
OBSOLETE	4320	1080	90	46	9	-6
OBSOLETE	4320	1080	90	44	9	-5
OBSOLETE	5040	1260	105	42	9	-4
OBSOLETE	5040	1260	105	40	9	-3
OBSOLETE	5040	1260	105	38	9	-2
OBSOLETE	5760	1440	120	36	9	-1
OBSOLETE	5760	1440	120	34	9	0
OBSOLETE	6480	1620	135	32	8	-9
OBSOLETE	7200	1800	150	30	8	-8
OBSOLETE	7200	1800	150	28	8	-7
OBSOLETE	7920	1980	165	26	8	-6
OBSOLETE	8640	2160	180	24	8	-5
OBSOLETE	9360	2340	195	22	8	-4
OBSOLETE	10080	2520	210	20	8	-3
OBSOLETE	11520	2880	240	18	8	-2
OBSOLETE	12960	3240	270	16	8	-1
OBSOLETE	15120	3780	315	14	8	0
OBSOLETE	17280	4320	360	12	7	-9
OBSOLETE	20880	5220	435	10	7	-8
OBSOLETE	26640	6660	555	8	7	-7
OBSOLETE	35280	8820	735	6	7	-6
OBSOLETE	51840	12960	1080	4	7	-5
OBSOLETE	4320	1080	90	50	7	-4
OBSOLETE	4320	1080	90	48	7	-3
OBSOLETE	4320	1080	90	46	7	-2
OBSOLETE	4320	1080	90	44	7	-1
OBSOLETE	5040	1260	105	42	7	0
OBSOLETE	5040	1260	105	40	6	-9
OBSOLETE	5040	1260	105	38	6	-8
OBSOLETE	5760	1440	120	36	6	-7
OBSOLETE	5760	1440	120	34	6	-6
OBSOLETE	6480	1620	135	32	6	-5
OBSOLETE	7200	1800	150	30	6	-4
OBSOLETE	7200	1800	150	28	6	-3
OBSOLETE	7920	1980	165	26	6	-2
OBSOLETE	8640	2160	180	24	6	-1
OBSOLETE	9360	2340	195	22	6	0
OBSOLETE	10080	2520	210	20	5	-9
OBSOLETE	11520	2880	240	18	5	-8
OBSOLETE	12960	3240	270	16	5	-7
OBSOLETE	15120	3780	315	14	5	-6
OBSOLETE	17280	4320	360	12	5	-5
OBSOLETE	20880	5220	435	10	5	-4
OBSOLETE	26640	6660	555	8	5	-3
OBSOLETE	35280	8820	735	6	5	-2
OBSOLETE	51840	12960	1080	4	5	-1

OBSOLETE	"L"	Pcs/Carton	Pcs/Inner Carton	Pcs/BOX	POS.	PART NUMBER
OBSOLETE	5040	1260	105	40	4	-9
OBSOLETE	4320	1080	90	50	4	-8
OBSOLETE	4320	1080	90	48	4	-7
OBSOLETE	4320	1080	90	46	4	-6
OBSOLETE	4320	1080	90	44	4	-5
OBSOLETE	5040	1260	105	42	4	-4
OBSOLETE	5040	1260	105	40	4	-3
OBSOLETE	5040	1260	105	38	4	-2
OBSOLETE	5760	1440	120	36	4	-1
OBSOLETE	5760	1440	120	34	4	0
OBSOLETE	6480	1620	135	32	3	-9
OBSOLETE	7200	1800	150	30	3	-8
OBSOLETE	7200	1800	150	28	3	-7
OBSOLETE	7920	1980	165	26	3	-6
OBSOLETE	8640	2160	180	24	3	-5
OBSOLETE	9360	2340	195	22	3	-4
OBSOLETE	10080	2520	210	20	3	-3
OBSOLETE	11520	2880	240	18	3	-2
OBSOLETE	12960	3240	270	16	3	-1
OBSOLETE	15120	3780	315	14	3	0
OBSOLETE	17280	4320	360	12	2	-9
OBSOLETE	20880	5220	435	10	2	-8
OBSOLETE	26640	6660	555	8	2	-7
OBSOLETE	35280	8820	735	6	2	-6
OBSOLETE	51840	12960	1080	4	2	-5
OBSOLETE	4320	1080	90	50	2	-4
OBSOLETE	4320	1080	90	48	2	-3
OBSOLETE	4320	1080	90	46	2	-2
OBSOLETE	4320	1080	90	44	2	-1
OBSOLETE	5040	1260	105	42	2	0
OBSOLETE	5040	1260	105	40	1	-9
OBSOLETE	5040	1260	105	38	1	-8
OBSOLETE	5760	1440	120	36	1	-7
OBSOLETE	5760	1440	120	34	1	-6
OBSOLETE	6480	1620	135	32	1	-5
OBSOLETE	7200	1800	150	30	1	-4
OBSOLETE	7200	1800	150	28	1	-3
OBSOLETE	7920	1980	165	26	1	-2
OBSOLETE	8640	2160	180	24	1	-1
OBSOLETE	9360	2340	195	22	1	0
OBSOLETE	10080	2520	210	20		-9
OBSOLETE	11520	2880	240	18		-8
OBSOLETE	12960	3240	270	16		-7
OBSOLETE	15120	3780	315	14		-6
OBSOLETE	17280	4320	360	12		-5
OBSOLETE	20880	5220	435	10		-4
OBSOLETE	26640	6660	555	8		-3
OBSOLETE	35280	8820	735	6		-2
OBSOLETE	51840	12960	1080	4		-1

THIS DRAWING IS A CONTROLLED DOCUMENT.		DWN O.HU 30-NOV-2001	STE TE Connectivity	
		CHK J.CHENG 30-NOV-2001		
DIMENSIONS: mm		APVD J.WU 30-NOV-2001	NAME	
TOLERANCES UNLESS OTHERWISE SPECIFIED: 0 PLC ± - 1 PLC ± 0.15 2 PLC ± 0.10 3 PLC ± 0.05 4 PLC ± - ANGLES ± 3'		PRODUCT SPEC 108-57197	AMPMODU 2.0mm PITCH REC CONN,VERTICAL MOUNT TYPE	
MATERIAL SEE SHEET 1		APPLICATION SPEC -	SIZE A3	CAGE CODE -
FINISH SEE SHEET 1		WEIGHT -	DRAWING NO C-1470209	RESTRICTED TO -
CUSTOMER DRAWING			SCALE 1:1	SHEET 2 OF 2
			REV E3	

X-ON Electronics

Largest Supplier of Electrical and Electronic Components

Click to view similar products for [Board to Board & Mezzanine Connectors](#) category:

Click to view products by [TE Connectivity](#) manufacturer:

Other Similar products are found below :

[589158040000018](#) [MDF7C-18P-2.54DSA\(55\)](#) [FCN-230C068-11](#) [FCN-268F012-G/BD](#) [FCN-268F036-G/BD](#) [FCN-268M012-G/0D](#) [FCN-268M024-G/1D](#) [FCN-723J004/1](#) [MIS-048-01-F-D-DP-K](#) [832-10-034-10-001000](#) [FX4C-80S-1.27DSA](#) [FCN-214Q030-G/0](#) [FCN-234P048-G/0](#) [FCN-235D050-G/C](#) [210-93-314-41-105000](#) [2-22603-0](#) [MDF7-40DP-2.54DSA\(55\)](#) [AXG720047](#) [5031084030](#) [MIT-114-03-F-D-K](#) [55323-1519](#) [DF33-2P-3.3DSA\(24\)](#) [YFT-20-05-H-03-SB-K](#) [503308-3040](#) [026-6203-PDB](#) [027-6203-PDB](#) [069159702701000](#) [10123981-102LF](#) [101A10019X](#) [55650-0588-C](#) [68682-310LF](#) [68684-306](#) [75140-7012](#) [87471-650](#) [194261-1](#) [FCN-268F024-G0D](#) [10124054-515LF](#) [68685-603](#) [8-1616154-3](#) [MIS-019-01-F-D](#) [FCN-268M024-G/3D](#) [20021832-06016C1LF](#) [KX15-20KLDL-E1000E](#) [MDF7-16DP-2.54DSA\(55\)](#) [AXE810124](#) [FCN-214J100-G/0](#) [FCN-230C068-E/S](#) [AXE812124](#) [AXE816124](#) [AXE720127](#)