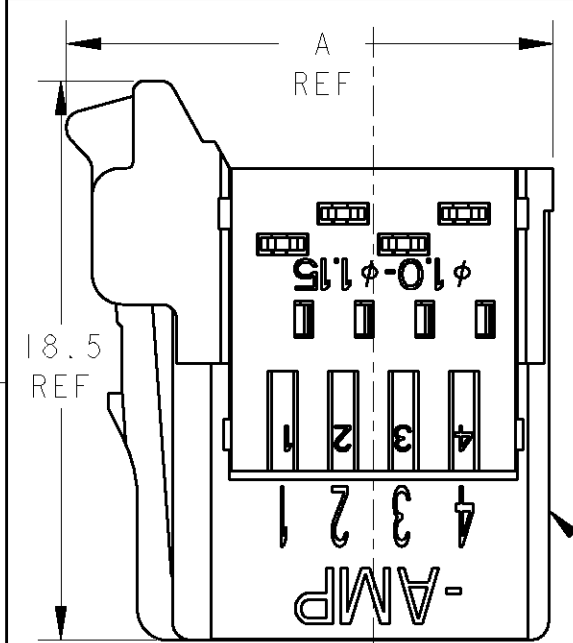
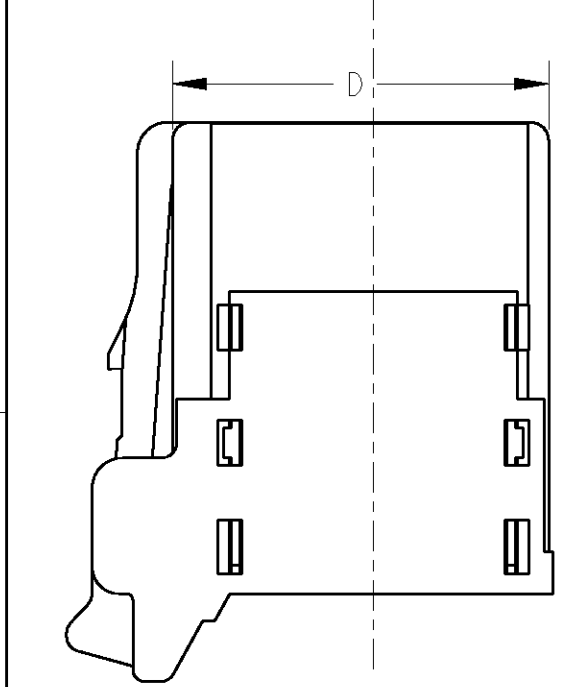
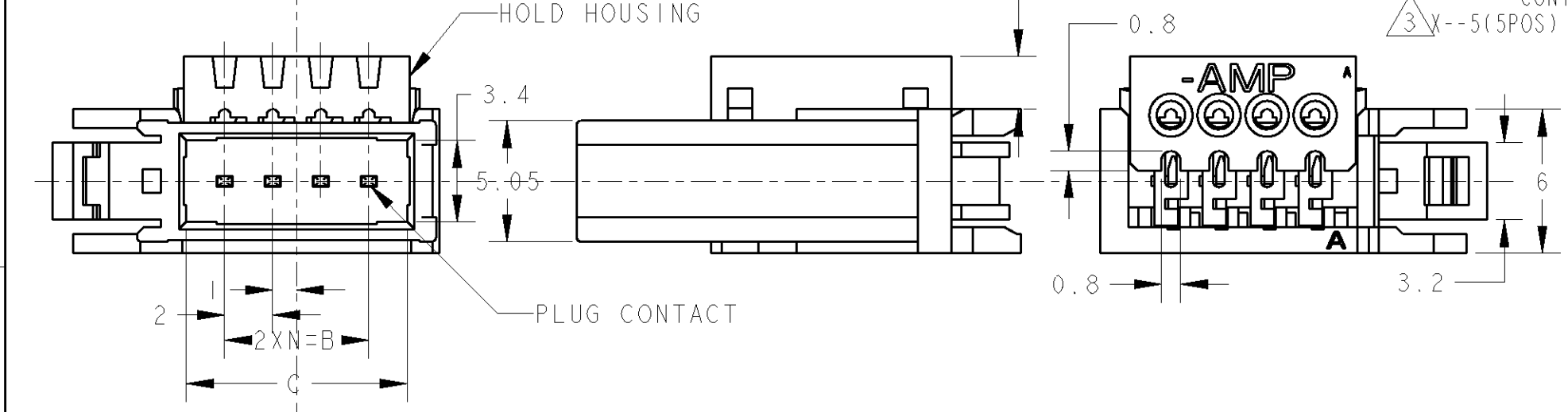


THIS DRAWING IS UNPUBLISHED. RELEASED FOR PUBLICATION  
 © COPYRIGHT - ALL RIGHTS RESERVED.

LOC	DIST	REVISIONS					
J	-	P	LTR	DESCRIPTION	DATE	DWN	APVD
				<b>C1 REVISED PER ECO-11-005030</b>	<b>26APR11</b>	<b>RK</b>	<b>HMR</b>



1473562-4: AS SHOWN  
 1473562-4: 本図



注記  
 ① 材料: PLUG HOUSING: ガラス入り熱可塑性ポリエステル樹脂 94V-0 黒  
 HOLD HOUSING: ポリカーボネイト 94V-0 黄色: 0-、赤色: 1-、青色: 2-  
 コンタクト: 銅合金  
 ② メッキ: 全面Ni下地: 1.27μm以上  
 接点部: 0.2μm MIN 金メッキ  
 ③ X--5(5POS)と-7(7POS)は、回路番号6と8にコンタクトが装着されません

NOTE  
 ① MATERIAL: PLUG HOUSING: GLASS FILLED THERMOPLASTIC, 94V-0, BLACK  
 HOLD HOUSING: PC, 94V-0, YELLOW: 0-, RED: 1-, BLUE: 2-  
 CONTACT: COPPER ALLOY  
 ② FINISH: UNDERPLATE: Ni 1.27μm min  
 CONTACT AREA: Au 0.2μm min  
 ③ X--5(5POS) AND X--7(7POS) DO NOT EQUIP WITH CONTACT OF CIRCUIT NO 6 AND 8.

BLUE	20.35	17.2	14	24.1	7	8	2-1473562-8
RED	20.35	17.2	14	24.1	7	8	1-1473562-8
YELLOW	20.35	17.2	14	24.1	7	8	1473562-8
BLUE	20.35	17.2	14	24.1	7	7	③ 2-1473562-7
RED	20.35	17.2	14	24.1	7	7	③ 1-1473562-7
YELLOW	20.35	17.2	14	24.1	7	7	③ 1473562-7
BLUE	16.35	13.2	10	20.1	5	6	2-1473562-6
RED	16.35	13.2	10	20.1	5	6	1-1473562-6
YELLOW	16.35	13.2	10	20.1	5	6	1473562-6
BLUE	16.35	13.2	10	20.1	5	5	③ 2-1473562-5
RED	16.35	13.2	10	20.1	5	5	③ 1-1473562-5
YELLOW	16.35	13.2	10	20.1	5	5	③ 1473562-5
BLUE	12.35	9.2	6	16.1	3	4	2-1473562-4
RED	12.35	9.2	6	16.1	3	4	1-1473562-4
YELLOW	12.35	9.2	6	16.1	3	4	1473562-4
BLUE	10.35	7.2	4	14.1	2	3	2-1473562-3
RED	10.35	7.2	4	14.1	2	3	1-1473562-3
YELLOW	10.35	7.2	4	14.1	2	3	1473562-3
HOLD HSG COLOR	D	C	B	A	N	POS	PART NUMBER

<Table of Insulation Dia (Cable suitable for e-CON.)>  
 <被覆外径一覧表(e-CON 適応電線)>

ORANGE	φ0.60~0.90	3-1473562-□	SEE SHEET 3
RED	φ0.90~1.00	1-1473562-□	SEE SHEET 1
YELLOW	φ1.00~1.15	1473562-□	SEE SHEET 1
BLUE	φ1.15~1.35	2-1473562-□	SEE SHEET 1
GREEN	φ1.35~1.60	4-1473562-□	SEE SHEET 2
HOLD HSG COLOR	INSULATION DIA	PART NUMBER	SHEET No

DIMENSIONS: 単位: 概 mm 		TOLERANCES UNLESS OTHERWISE SPECIFIED: 一般公差 0 PLC ±0.2 1 PLC ±0.2 2 PLC ±3° 3 PLC ± 4 PLC ± ANGLES ±		DWN D.MITSUGI IOSEP2001 CHK S.MANABE IOSEP2001 APVD S.MANABE IOSEP2001 PRODUCT SPEC 108-5765 APPLICATION SPEC 取付適用規格		<b>TE</b> TE Connectivity	
MATERIAL ① SEE NOTE FINISH ② SEE NOTE		WEIGHT -		NAME 名称 PLUG ASSY FOR e-CON - RITS CONN. -		SIZE A3 CAGE CODE 00779 DRAWING NO 1473562 RESTRICTED TO -	
CUSTOMER DRAWING				SCALE 4:1 SHEET 1 OF 3 REV C1		WIRE RANGE ③ ④ ⑤ ⑥ ⑦ ⑧ ⑨ ⑩ ⑪ ⑫ ⑬ ⑭ ⑮ ⑯ ⑰ ⑱ ⑲ ⑳ ㉑ ㉒ ㉓ ㉔ ㉕ ㉖ ㉗ ㉘ ㉙ ㉚ ㉛ ㉜ ㉝ ㉞ ㉟ ㊱ ㊲ ㊳ ㊴ ㊵ ㊶ ㊷ ㊸ ㊹ ㊺ ㊻ ㊼ ㊽ ㊾ ㊿ ㏀ ㏁ ㏂ ㏃ ㏄ ㏅ ㏆ ㏇ ㏈ ㏉ ㏊ ㏋ ㏌ ㏍ ㏎ ㏏ ㏐ ㏑ ㏒ ㏓ ㏔ ㏕ ㏖ ㏗ ㏘ ㏙ ㏚ ㏛ ㏜ ㏝ ㏞ ㏟ ㏠ ㏡ ㏢ ㏣ ㏤ ㏥ ㏦ ㏧ ㏨ ㏩ ㏪ ㏫ ㏬ ㏭ ㏮ ㏯ ㏰ ㏱ ㏲ ㏳ ㏴ ㏵ ㏶ ㏷ ㏸ ㏹ ㏺ ㏻ ㏼ ㏽ ㏾ ㏿ 㐀 㐁 㐂 㐃 㐄 㐅 㐆 㐇 㐈 㐉 㐊 㐋 㐌 㐍 㐎 㐏 㐐 㐑 㐒 㐓 㐔 㐕 㐖 㐗 㐘 㐙 㐚 㐛 㐜 㐝 㐞 㐟 㐠 㐡 㐢 㐣 㐤 㐥 㐦 㐧 㐨 㐩 㐪 㐫 㐬 㐭 㐮 㐯 㐰 㐱 㐲 㐳 㐴 㐵 㐶 㐷 㐸 㐹 㐺 㐻 㐼 㐽 㐾 㐿 㑀 㑁 㑂 㑃 㑄 㑅 㑆 㑇 㑈 㑉 㑊 㑋 㑌 㑍 㑎 㑏 㑐 㑑 㑒 㑓 㑔 㑕 㑖 㑗 㑘 㑙 㑚 㑛 㑜 㑝 㑞 㑟 㑠 㑡 㑢 㑣 㑤 㑥 㑦 㑧 㑨 㑩 㑪 㑫 㑬 㑭 㑮 㑯 㑰 㑱 㑲 㑳 㑴 㑵 㑶 㑷 㑸 㑹 㑺 㑻 㑼 㑽 㑾 㑿 㒀 㒁 㒂 㒃 㒄 㒅 㒆 㒇 㒈 㒉 㒊 㒋 㒌 㒍 㒎 㒏 㒐 㒑 㒒 㒓 㒔 㒕 㒖 㒗 㒘 㒙 㒚 㒛 㒜 㒝 㒞 㒟 㒠 㒡 㒢 㒣 㒤 㒥 㒦 㒧 㒨 㒩 㒪 㒫 㒬 㒭 㒮 㒯 㒰 㒱 㒲 㒳 㒴 㒵 㒶 㒷 㒸 㒹 㒺 㒻 㒼 㒽 㒾 㒿 㓀 㓁 㓂 㓃 㓄 㓅 㓆 㓇 㓈 㓉 㓊 㓋 㓌 㓍 㓎 㓏 㓐 㓑 㓒 㓓 㓔 㓕 㓖 㓗 㓘 㓙 㓚 㓛 㓜 㓝 㓞 㓟 㓠 㓡 㓢 㓣 㓤 㓥 㓦 㓧 㓨 㓩 㓪 㓫 㓬 㓭 㓮 㓯 㓰 㓱 㓲 㓳 㓴 㓵 㓶 㓷 㓸 㓹 㓺 㓻 㓼 㓽 㓾 㓿 㔀 㔁 㔂 㔃 㔄 㔅 㔆 㔇 㔈 㔉 㔊 㔋 㔌 㔍 㔎 㔏 㔐 㔑 㔒 㔓 㔔 㔕 㔖 㔗 㔘 㔙 㔚 㔛 㔜 㔝 㔞 㔟 㔠 㔡 㔢 㔣 㔤 㔥 㔦 㔧 㔨 㔩 㔪 㔫 㔬 㔭 㔮 㔯 㔰 㔱 㔲 㔳 㔴 㔵 㔶 㔷 㔸 㔹 㔺 㔻 㔼 㔽 㔾 㔿 㕀 㕁 㕂 㕃 㕄 㕅 㕆 㕇 㕈 㕉 㕊 㕋 㕌 㕍 㕎 㕏 㕐 㕑 㕒 㕓 㕔 㕕 㕖 㕗 㕘 㕙 㕚 㕛 㕜 㕝 㕞 㕟 㕠 㕡 㕢 㕣 㕤 㕥 㕦 㕧 㕨 㕩 㕪 㕫 㕬 㕭 㕮 㕯 㕰 㕱 㕲 㕳 㕴 㕵 㕶 㕷 㕸 㕹 㕺 㕻 㕼 㕽 㕾 㕿 㖀 㖁 㖂 㖃 㖄 㖅 㖆 㖇 㖈 㖉 㖊 㖋 㖌 㖍 㖎 㖏 㖐 㖑 㖒 㖓 㖔 㖕 㖖 㖗 㖘 㖙 㖚 㖛 㖜 㖝 㖞 㖟 㖠 㖡 㖢 㖣 㖤 㖥 㖦 㖧 㖨 㖩 㖪 㖫 㖬 㖭 㖮 㖯 㖰 㖱 㖲 㖳 㖴 㖵 㖶 㖷 㖸 㖹 㖺 㖻 㖼 㖽 㖾 㖿 㗀 㗁 㗂 㗃 㗄 㗅 㗆 㗇 㗈 㗉 㗊 㗋 㗌 㗍 㗎 㗏 㗐 㗑 㗒 㗓 㗔 㗕 㗖 㗗 㗘 㗙 㗚 㗛 㗜 㗝 㗞 㗟 㗠 㗡 㗢 㗣 㗤 㗥 㗦 㗧 㗨 㗩 㗪 㗫 㗬 㗭 㗮 㗯 㗰 㗱 㗲 㗳 㗴 㗵 㗶 㗷 㗸 㗹 㗺 㗻 㗼 㗽 㗾 㗿 㘀 㘁 㘂 㘃 㘄 㘅 㘆 㘇 㘈 㘉 㘊 㘋 㘌 㘍 㘎 㘏 㘐 㘑 㘒 㘓 㘔 㘕 㘖 㘗 㘘 㘙 㘚 㘛 㘜 㘝 㘞 㘟 㘠 㘡 㘢 㘣 㘤 㘥 㘦 㘧 㘨 㘩 㘪 㘫 㘬 㘭 㘮 㘯 㘰 㘱 㘲 㘳 㘴 㘵 㘶 㘷 㘸 㘹 㘺 㘻 㘼 㘽 㘾 㘿 㙀 㙁 㙂 㙃 㙄 㙅 㙆 㙇 㙈 㙉 㙊 㙋 㙌 㙍 㙎 㙏 㙐 㙑 㙒 㙓 㙔 㙕 㙖 㙗 㙘 㙙 㙚 㙛 㙜 㙝 㙞 㙟 㙠 㙡 㙢 㙣 㙤 㙥 㙦 㙧 㙨 㙩 㙪 㙫 㙬 㙭 㙮 㙯 㙰 㙱 㙲 㙳 㙴 㙵 㙶 㙷 㙸 㙹 㙺 㙻 㙼 㙽 㙾 㙿 㚀 㚁 㚂 㚃 㚄 㚅 㚆 㚇 㚈 㚉 㚊 㚋 㚌 㚍 㚎 㚏 㚐 㚑 㚒 㚓 㚔 㚕 㚖 㚗 㚘 㚙 㚚 㚛 㚜 㚝 㚞 㚟 㚠 㚡 㚢 㚣 㚤 㚥 㚦 㚧 㚨 㚩 㚪 㚫 㚬 㚭 㚮 㚯 㚰 㚱 㚲 㚳 㚴 㚵 㚶 㚷 㚸 㚹 㚺 㚻 㚼 㚽 㚾 㚿 㜀 㜁 㜂 㜃 㜄 㜅 㜆 㜇 㜈 㜉 㜊 㜋 㜌 㜍 㜎 㜏 㜐 㜑 㜒 㜓 㜔 㜕 㜖 㜗 㜘 㜙 㜚 㜛 㜜 㜝 㜞 㜟 㜠 㜡 㜢 㜣 㜤 㜥 㜦 㜧 㜨 㜩 㜪 㜫 㜬 㜭 㜮 㜯 㜰 㜱 㜲 㜳 㜴 㜵 㜶 㜷 㜸 㜹 㜺 㜻 㜼 㜽 㜾 㜿 㝀 㝁 㝂 㝃 㝄 㝅 㝆 㝇 㝈 㝉 㝊 㝋 㝌 㝍 㝎 㝏 㝐 㝑 㝒 㝓 㝔 㝕 㝖 㝗 㝘 㝙 㝚 㝛 㝜 㝝 㝞 㝟 㝠 㝡 㝢 㝣 㝤 㝥 㝦 㝧 㝨 㝩 㝪 㝫 㝬 㝭 㝮 㝯 㝰 㝱 㝲 㝳 㝴 㝵 㝶 㝷 㝸 㝹 㝺 㝻 㝼 㝽 㝾 㝿 㞀 㞁 㞂 㞃 㞄 㞅 㞆 㞇 㞈 㞉 㞊 㞋 㞌 㞍 㞎 㞏 㞐 㞑 㞒 㞓 㞔 㞕 㞖 㞗 㞘 㞙 㞚 㞛 㞜 㞝 㞞 㞟 㞠 㞡 㞢 㞣 㞤 㞥 㞦 㞧 㞨 㞩 㞪 㞫 㞬 㞭 㞮 㞯 㞰 㞱 㞲 㞳 㞴 㞵 㞶 㞷 㞸 㞹 㞺 㞻 㞼 㞽 㞾 㞿 㟀 㟁 㟂 㟃 㟄 㟅 㟆 㟇 㟈 㟉 㟊 㟋 㟌 㟍 㟎 㟏 㟐 㟑 㟒 㟓 㟔 㟕 㟖 㟗 㟘 㟙 㟚 㟛 㟜 㟝 㟞 㟟 㟠 㟡 㟢 㟣 㟤 㟥 㟦 㟧 㟨 㟩 㟪 㟫 㟬 㟭 㟮 㟯 㟰 㟱 㟲 㟳 㟴 㟵 㟶 㟷 㟸 㟹 㟺 㟻 㟼 㟽 㟾 㟿 㠀 㠁 㠂 㠃 㠄 㠅 㠆 㠇 㠈 㠉 㠊 㠋 㠌 㠍 㠎 㠏 㠐 㠑 㠒 㠓 㠔 㠕 㠖 㠗 㠘 㠙 㠚 㠛 㠜 㠝 㠞 㠟 㠠 㠡 㠢 㠣 㠤 㠥 㠦 㠧 㠨 㠩 㠪 㠫 㠬 㠭 㠮 㠯 㠰 㠱 㠲 㠳 㠴 㠵 㠶 㠷 㠸 㠹 㠺 㠻 㠼 㠽 㠾 㠿 㡀 㡁 㡂 㡃 㡄 㡅 㡆 㡇 㡈 㡉 㡊 㡋 㡌 㡍 㡎 㡏 㡐 㡑 㡒 㡓 㡔 㡕 㡖 㡗 㡘 㡙 㡚 㡛 㡜 㡝 㡞 㡟 㡠 㡡 㡢 㡣 㡤 㡥 㡦 㡧 㡨 㡩 㡪 㡫 㡬 㡭 㡮 㡯 㡰 㡱 㡲 㡳 㡴 㡵 㡶 㡷 㡸 㡹 㡺 㡻 㡼 㡽 㡾 㡿 㢀 㢁 㢂 㢃 㢄 㢅 㢆 㢇 㢈 㢉 㢊 㢋 㢌 㢍 㢎 㢏 㢐 㢑 㢒 㢓 㢔 㢕 㢖 㢗 㢘 㢙 㢚 㢛 㢜 㢝 㢞 㢟 㢠 㢡 㢢 㢣 㢤 㢥 㢦 㢧 㢨 㢩 㢪 㢫 㢬 㢭 㢮 㢯 㢰 㢱 㢲 㢳 㢴 㢵 㢶 㢷 㢸 㢹 㢺 㢻 㢼 㢽 㢾 㢿 㣀 㣁 㣂 㣃 㣄 㣅 㣆 㣇 㣈 㣉 㣊 㣋 㣌 㣍 㣎 㣏 㣐 㣑 㣒 㣓 㣔 㣕 㣖 㣗 㣘 㣙 㣚 㣛 㣜 㣝 㣞 㣟 㣠 㣡 㣢 㣣 㣤 㣥 㣦 㣧 㣨 㣩 㣪 㣫 㣬 㣭 㣮 㣯 㣰 㣱 㣲 㣳 㣴 㣵 㣶 㣷 㣸 㣹 㣺 㣻 㣼 㣽 㣾 㣿 㤀 㤁 㤂 㤃 㤄 㤅 㤆 㤇 㤈 㤉 㤊 㤋 㤌 㤍 㤎 㤏 㤐 㤑 㤒 㤓 㤔 㤕 㤖 㤗 㤘 㤙 㤚 㤛 㤜 㤝 㤞 㤟 㤠 㤡 㤢 㤣 㤤 㤥 㤦 㤧 㤨 㤩 㤪 㤫 㤬 㤭 㤮 㤯 㤰 㤱 㤲 㤳 㤴 㤵 㤶 㤷 㤸 㤹 㤺 㤻 㤼 㤽 㤾 㤿 㥀 㥁 㥂 㥃 㥄 㥅 㥆 㥇 㥈 㥉 㥊 㥋 㥌 㥍 㥎 㥏 㥐 㥑 㥒 㥓 㥔 㥕 㥖 㥗 㥘 㥙 㥚 㥛 㥜 㥝 㥞 㥟 㥠 㥡 㥢 㥣 㥤 㥥 㥦 㥧 㥨 㥩 㥪 㥫 㥬 㥭 㥮 㥯 㥰 㥱 㥲 㥳 㥴 㥵 㥶 㥷 㥸 㥹 㥺 㥻 㥼 㥽 㥾 㥿 㦀 㦁 㦂 㦃 㦄 㦅 㦆 㦇 㦈 㦉 㦊 㦋 㦌 㦍 㦎 㦏 㦐 㦑 㦒 㦓 㦔 㦕 㦖 㦗 㦘 㦙 㦚 㦛 㦜 㦝 㦞 㦟 㦠 㦡 㦢 㦣 㦤 㦥 㦦 㦧 㦨 㦩 㦪 㦫 㦬 㦭 㦮 㦯 㦰 㦱 㦲 㦳 㦴 㦵 㦶 㦷 㦸 㦹 㦺 㦻 㦼 㦽 㦾 㦿 㧀 㧁 㧂 㧃 㧄 㧅 㧆 㧇 㧈 㧉 㧊 㧋 㧌 㧍 㧎 㧏 㧐 㧑 㧒 㧓 㧔 㧕 㧖 㧗 㧘 㧙 㧚 㧛 㧜 㧝 㧞 㧟 㧠 㧡 㧢 㧣 㧤 㧥 㧦 㧧 㧨 㧩 㧪 㧫 㧬 㧭 㧮 㧯 㧰 㧱 㧲 㧳 㧴 㧵 㧶 㧷 㧸 㧹 㧺 㧻 㧼 㧽 㧾 㧿 㨀 㨁 㨂 㨃 㨄 㨅 㨆 㨇 㨈 㨉 㨊 㨋 㨌 㨍 㨎 㨏 㨐 㨑 㨒 㨓 㨔 㨕 㨖 㨗 㨘 㨙 㨚 㨛 㨜 㨝 㨞 㨟 㨠 㨡 㨢 㨣 㨤 㨥 㨦 㨧 㨨 㨩 㨪 㨫 㨬 㨭 㨮 㨯 㨰 㨱 㨲 㨳 㨴 㨵 㨶 㨷 㨸 㨹 㨺 㨻 㨼 㨽 㨾 㨿 㩀 㩁 㩂 㩃 㩄 㩅 㩆 㩇 㩈 㩉 㩊 㩋 㩌 㩍 㩎 㩏 㩐 㩑 㩒 㩓 㩔 㩕 㩖 㩗 㩘 㩙 㩚 㩛 㩜 㩝 㩞 㩟 㩠 㩡 㩢 㩣 㩤 㩥 㩦 㩧 㩨 㩩 㩪 㩫 㩬 㩭 㩮 㩯 㩰 㩱 㩲 㩳 㩴 㩵 㩶 㩷 㩸 㩹 㩺 㩻 㩼 㩽 㩾 㩿 㪀 㪁 㪂 㪃 㪄 㪅 㪆 㪇 㪈 㪉 㪊 㪋 㪌 㪍 㪎 㪏 㪐 㪑 㪒 㪓 㪔 㪕 㪖 㪗 㪘 㪙 㪚 㪛 㪜 㪝 㪞 㪟 㪠 㪡 㪢 㪣 㪤 㪥 㪦 㪧 㪨 㪩 㪪 㪫 㪬 㪭 㪮 㪯 㪰 㪱 㪲 㪳 㪴 㪵 㪶 㪷 㪸 㪹 㪺 㪻 㪼 㪽 㪾 㪿 㫀 㫁 㫂 㫃 㫄 㫅 㫆 㫇 㫈 㫉 㫊 㫋 㫌 㫍 㫎 㫏 㫐 㫑 㫒 㫓 㫔 㫕 㫖 㫗 㫘 㫙 㫚 㫛 㫜 㫝 㫞 㫟 㫠 㫡 㫢 㫣 㫤 㫥 㫦 㫧 㫨 㫩 㫪 㫫 㫬 㫭 㫮 㫯 㫰 㫱 㫲 㫳 㫴 㫵 㫶 㫷 㫸 㫹 㫺 㫻 㫼 㫽 㫾 㫿 㬀 㬁 㬂 㬃 㬄 㬅 㬆 㬇 㬈 㬉 㬊 㬋 㬌 㬍 㬎 㬏 㬐 㬑 㬒 㬓 㬔 㬕 㬖 㬗 㬘 㬙 㬚 㬛 㬜 㬝 㬞 㬟 㬠 㬡 㬢 㬣 㬤 㬥 㬦 㬧 㬨 㬩 㬪 㬫 㬬 㬭 㬮 㬯 㬰 㬱 㬲 㬳 㬴 㬵 㬶 㬷 㬸 㬹 㬺 㬻 㬼 㬽 㬾 㬿 㭀 㭁 㭂 㭃 㭄 㭅 㭆 㭇 㭈 㭉 㭊 㭋 㭌 㭍 㭎 㭏 㭐 㭑 㭒 㭓 㭔 㭕 㭖 㭗 㭘 㭙 㭚 㭛 㭜 㭝 㭞 㭟 㭠 㭡 㭢 㭣 㭤 㭥 㭦 㭧 㭨 㭩 㭪 㭫 㭬 㭭 㭮 㭯 㭰 㭱 㭲 㭳 㭴 㭵 㭶 㭷 㭸 㭹 㭺 㭻 㭼 㭽 㭾 㭿 㮀 㮁 㮂 㮃 㮄 㮅 㮆 㮇 㮈 㮉 㮊 㮋 㮌 㮍 㮎 㮏 㮐 㮑 㮒 㮓 㮔 㮕 㮖 㮗 㮘 㮙 㮚 㮛 㮜 㮝 㮞 㮟 㮠 㮡 㮢 㮣 㮤 㮥 㮦 㮧 㮨 㮩 㮪 㮫 㮬 㮭 㮮 㮯 㮰 㮱 㮲 㮳 㮴 㮵 㮶 㮷 㮸 㮹 㮺 㮻 㮼 㮽 㮾 㮿 㯀 㯁 㯂 㯃 㯄 㯅 㯆 㯇 㯈 㯉 㯊 㯋 㯌 㯍 㯎 㯏 㯐 㯑 㯒 㯓 㯔 㯕 㯖 㯗 㯘 㯙 㯚 㯛 㯜 㯝 㯞 㯟 㯠 㯡 㯢 㯣 㯤 㯥 㯦 㯧 㯨 㯩 㯪 㯫 㯬 㯭 㯮 㯯 㯰 㯱 㯲 㯳 㯴 㯵 㯶 㯷 㯸 㯹 㯺 㯻 㯼 㯽 㯾 㯿 㰀 㰁 㰂 㰃 㰄 㰅 㰆 㰇 㰈 㰉 㰊 㰋 㰌 㰍 㰎 㰏 㰐 㰑 㰒 㰓 㰔 㰕 㰖 㰗 㰘 㰙 㰚 㰛 㰜 㰝 㰞 㰟 㰠 㰡 㰢 㰣 㰤 㰥 㰦 㰧 㰨 㰩 㰪 㰫 㰬 㰭 㰮 㰯 㰰 㰱 㰲 㰳 㰴 㰵 㰶 㰷 㰸 㰹 㰺 㰻 㰼 㰽 㰾 㰿 㱀 㱁 㱂 㱃 㱄 㱅 㱆 㱇 㱈 㱉 㱊 㱋 㱌 㱍 㱎 㱏 㱐 㱑 㱒 㱓 㱔 㱕 㱖 㱗 㱘 㱙 㱚 㱛 㱜 㱝 㱞 㱟 㱠 㱡	

THIS DRAWING IS UNPUBLISHED.

RELEASED FOR PUBLICATION

© COPYRIGHT

ALL RIGHTS RESERVED.

LOC J

DIST -

REVISIONS

変更

P

LTR

DESCRIPTION

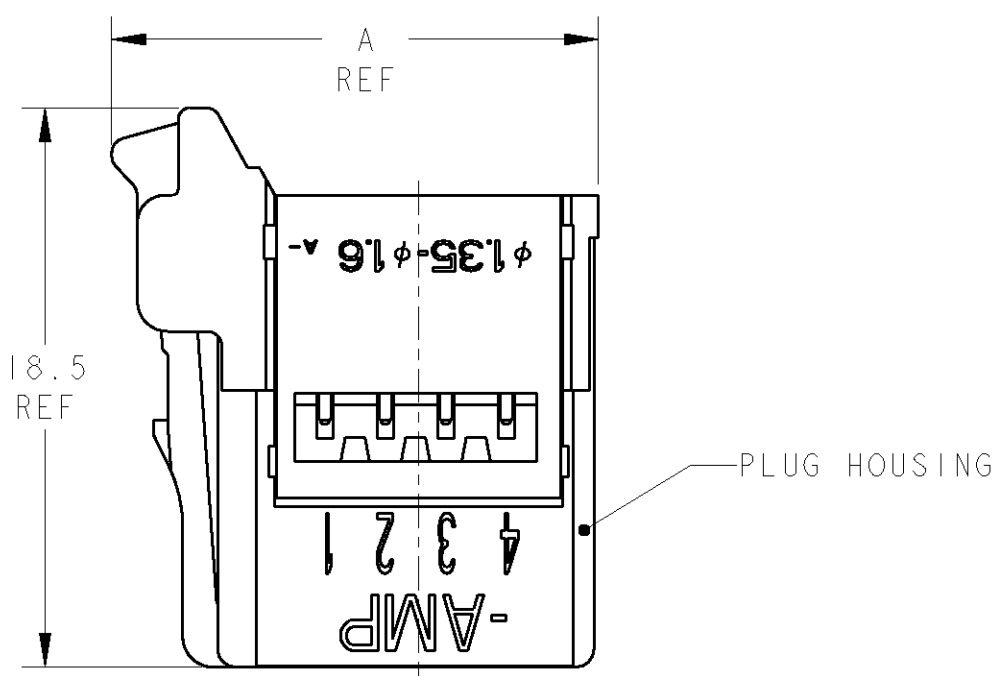
DATE

DWN

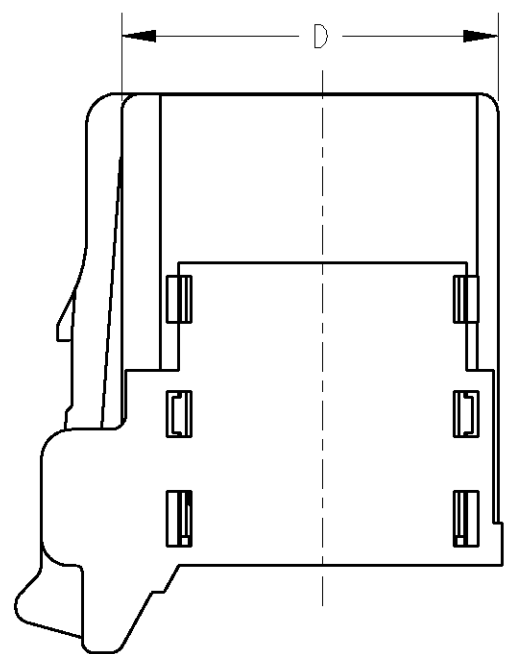
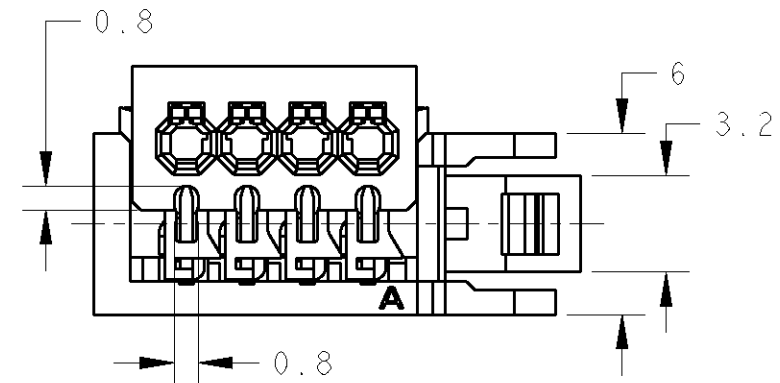
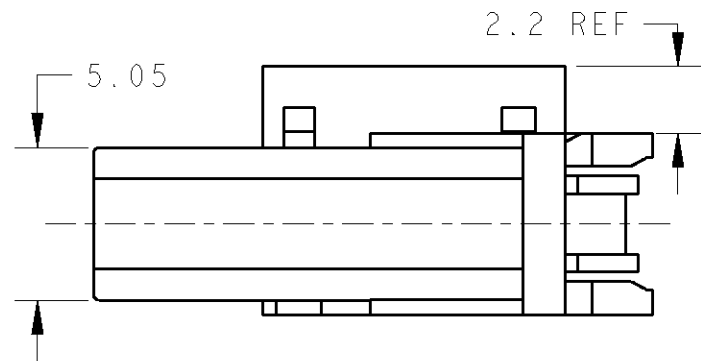
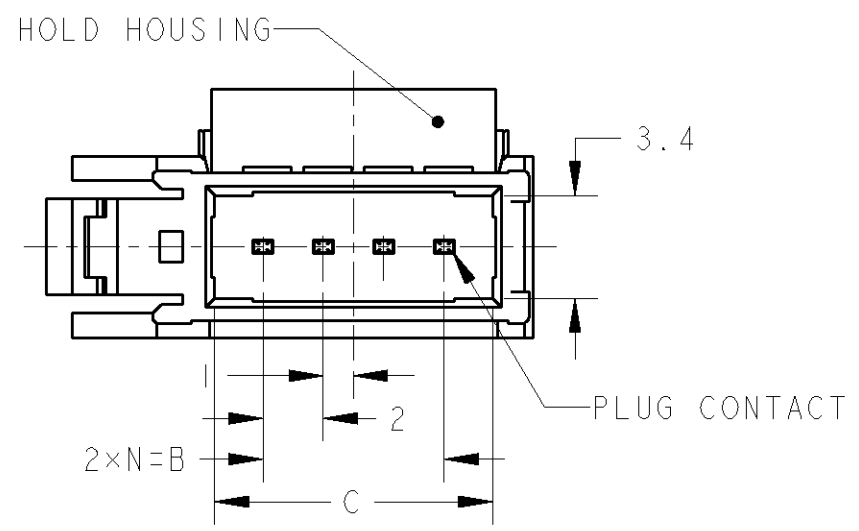
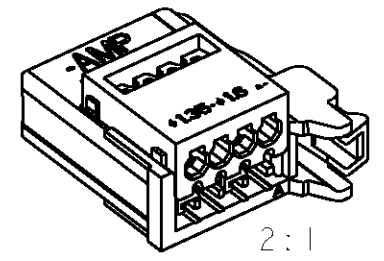
APVD

SEE SHEET 1

4-1473562-4:AS SHOWN  
4-1473562-4:本図



- ① 材料 PLUG HOUSING : ガラス入り熱可塑性ポリエステル樹脂 94V-0 黒  
HOLD HOUSING : ポリカーボネイト 94V-0 緑色:4-  
コンタクト : 銅合金
- ② 仕上げ 全面 : ニッケルメッキ下地 1.27μm以上  
接点部 : 金メッキ 0.2μm以上
- ③ -5(5POS)と-7(7POS)は、回路番号6と8にコンタクトが装着されません
- ① MATERIAL PLUG HOUSING : GLASS FILLED THERMOPLASTIC, 94V-0, BLACK  
HOLD HOUSING : PC, 94V-0, GREEN:4-  
CONTACT : COPPER ALLOY
- ② FINISH UNDERPLATE : Ni PLATING ALL SURFACE 1.27μm MIN  
CONTACT AREA : Au PLATING 0.2μm MIN
- ③ -5(5POS) AND -7(7POS) DO NOT EQUIP WITH CONTACT OF CIRCUIT NO 6 AND 8.



取扱説明書 (Instruction Sheet): 411-78014

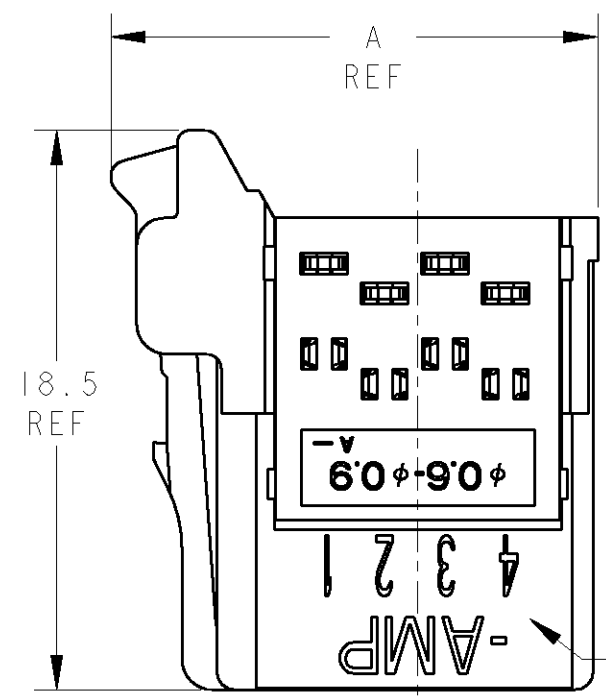
GREEN	20.35	17.2	14	24.1	7	8	4-1473562-8
	20.35	17.2	14	24.1	7	7	③4-1473562-7
	16.35	13.2	10	20.1	5	6	4-1473562-6
	16.35	13.2	10	20.1	5	5	③4-1473562-5
	12.35	9.2	6	16.1	3	4	4-1473562-4
	10.35	7.2	4	14.1	2	3	4-1473562-3
HOLD HSG COLOR	D	C	B	A	N	POS.	PART NUMBER

DIMENSIONS: 単位: 概 mm 		TOLERANCES UNLESS OTHERWISE SPECIFIED: 一般公差 0 PLC ± 1 PLC ±0.2 2 PLC ±3° 3 PLC ± 4 PLC ± ANGLES ±		DWN K.RIKU 26DEC02 CHK D.MITSUGI 26DEC02 APVD S.MANABE 26DEC02	TE Connectivity NAME PLUG ASSY FOR e-CON - RITS CONN. -	
MATERIAL ① SEE NOTE 材料		FINISH ② SEE NOTE 仕上		PRODUCT SPEC 108-5765 APPLICATION SPEC 取付適用規格		
CUSTOMER DRAWING				WEIGHT -	SCALE 3:1 SHEET 2 OF 3	REV C1

THIS DRAWING IS UNPUBLISHED. RELEASED FOR PUBLICATION  
 © COPYRIGHT ALL RIGHTS RESERVED.

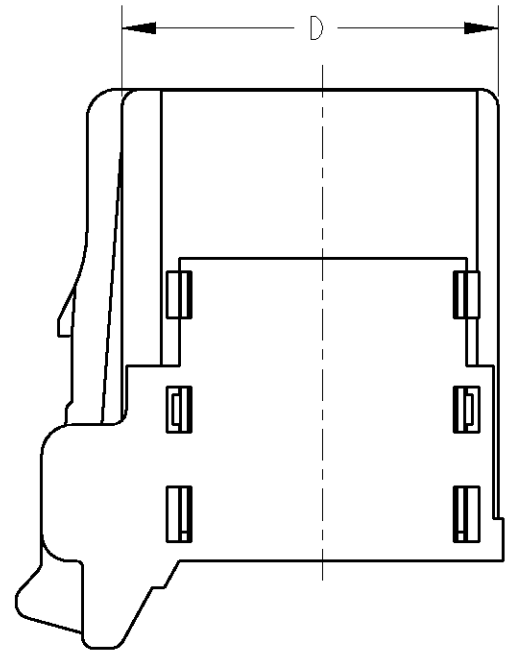
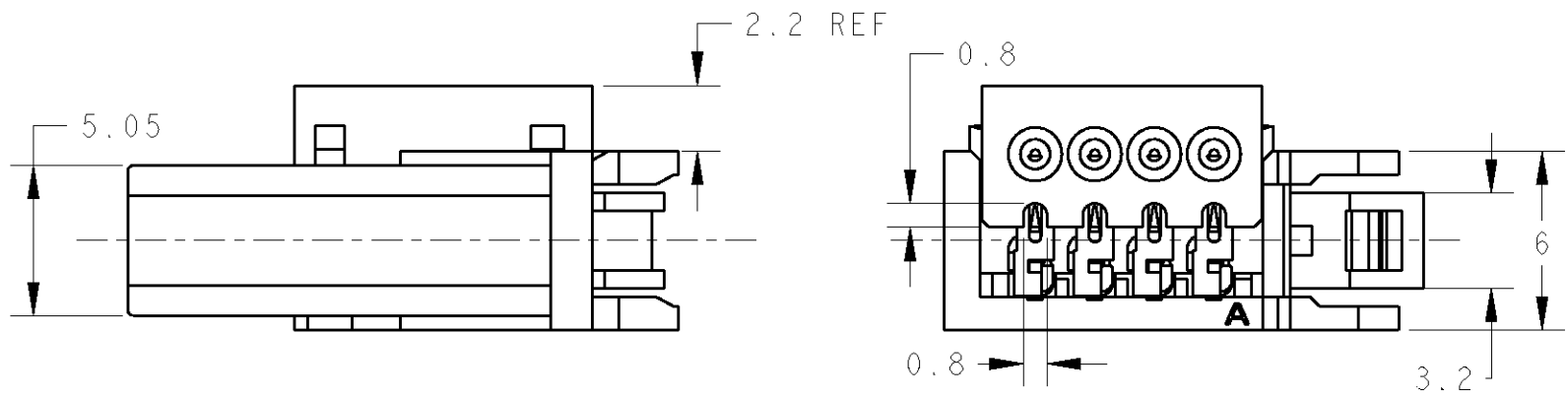
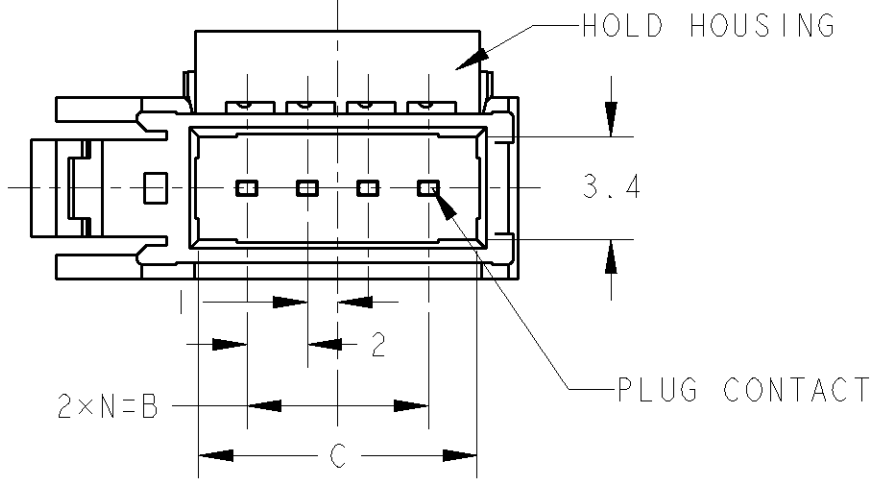
LOC	DIST	REVISIONS					
J	-	P	LTR	DESCRIPTION	DATE	DWN	APVD
				SEE SHEET 1			

3-1473562-4 : AS SHOWN  
 3-1473562-4 : 本図



- ① 材料: PLUG HOUSING : ガラス入り熱可塑性ポリエステル樹脂 94V-0 黒  
 HOLD HOUSING : ポリカーボネイト 94V-0 オレンジ色: 3-  
 コンタクト: 銅合金
- ② メッキ: 全面ニッケル下地: 1.27μm以上  
 接点部: 金メッキ: 0.2μm以上
- ③ -5(5POS)と-7(7POS)は、回路番号6と8にコンタクトが装着されません。

- ① MATERIAL: PLUG HOUSING : GLASS FILLED THERMOPLASTIC, 94V-0, BLACK  
 HOLD HOUSING : PC, 94V-0, ORANGE: 3-  
 CONTACT : COPPER ALLOY
- ② FINISH: UNDERPLATE : Ni 1.27μm MIN  
 CONTACT AREA : Au 0.2μm MIN
- ③ -5(5POS) AND -7(7POS) DO NOT EQUIP WITH CONTACT OF CIRCUIT No. 6 & 8.



取扱説明書 (Instruction Sheet): 411-78010

ORANGE	20.35	17.2	14	24.1	7	8	3-1473562-8
	20.35	17.2	14	24.1	7	7	③ 3-1473562-7
	16.35	13.2	10	20.1	5	6	3-1473562-6
	16.35	13.2	10	20.1	5	5	③ 3-1473562-5
	12.35	9.2	6	16.1	3	4	3-1473562-4
	10.35	7.2	4	14.1	2	3	3-1473562-3
HOLD HSG COLOR	D	C	B	A	N	POS.	PART NUMBER

DIMENSIONS: 単位: 概 mm		TOLERANCES UNLESS OTHERWISE SPECIFIED:		DWN 21 JAN '03 S. YOKOZEKI			
		一般公差 0 PLC ± ±0.2 1 PLC ± ±3° 2 PLC ± ±3° 3 PLC ± ± 4 PLC ± ± ANGLES ± ±		CHK 30 JAN '03 D. MITSUGI			
MATERIAL 材料 ① SEE NOTE		FINISH 仕上 ② SEE NOTE		APVD 30 JAN '03 S. MANABE		PRODUCT SPEC 108-5765	
①		②		APPLICATION SPEC 取付適用規格		SIZE A3	
CUSTOMER DRAWING				WEIGHT -		CAGE CODE 00779	
				SCALE 4:1		DRAWING NO. 1473562	
				SHEET 3 OF 3		REV C1	

## X-ON Electronics

Largest Supplier of Electrical and Electronic Components

*Click to view similar products for [Headers & Wire Housings](#) category:*

*Click to view products by [TE Connectivity](#) manufacturer:*

Other Similar products are found below :

[892-18-020-10-001101](#) [58102-G61-06LF](#) [582553-1](#) [0009485154](#) [009176003701906](#) [0050291907](#) [LY20-4P-DT1-P1E-BR](#) [02.125.8002.8](#)  
[609-3404](#) [61062-3](#) [61082-181009](#) [622-3653LF](#) [63453-116](#) [636-1030](#) [636-1427](#) [636-3427](#) [636-4007](#) [641938-9](#) [641991-4](#) [644827-2](#) [65817-010LF](#) [65817-015LF](#) [65863-015LF](#) [66207-023LF](#) [67095-007LF](#) [67601157](#) [68645-018](#) [68648-049](#) [70.362.1628.0](#) [70-4210](#) [70-4226B](#) [70-4853B](#) [707-5020](#) [707-5028](#) [71.350.2428.0](#) [71918-208LF](#) [71961-016LF](#) [733-134](#) [733-162](#) [754199-000](#) [760-3052](#) [787-8014-00](#) [79531-3000](#)  
[FCN-360C032-B](#) [FCN-367T-T012/H](#) [FCN-723D010/2](#) [80.063.4001.1](#) [800-90-001-10-001000](#) [800-90-010-10-002000](#) [801-43-002-10-013000](#)