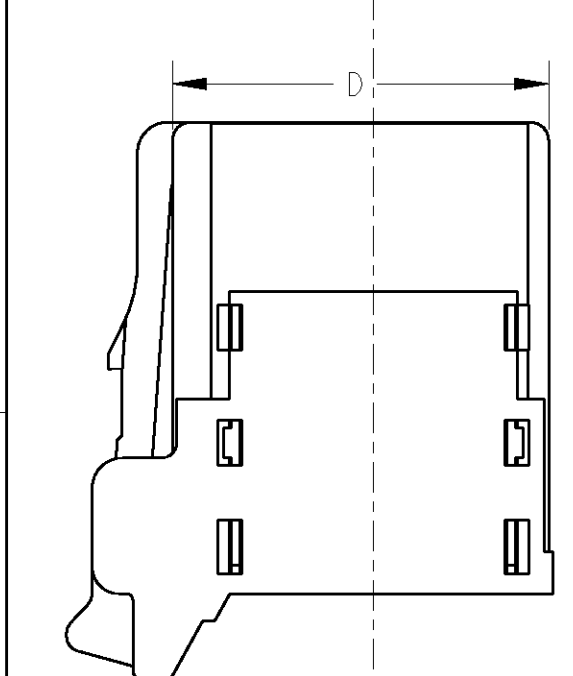
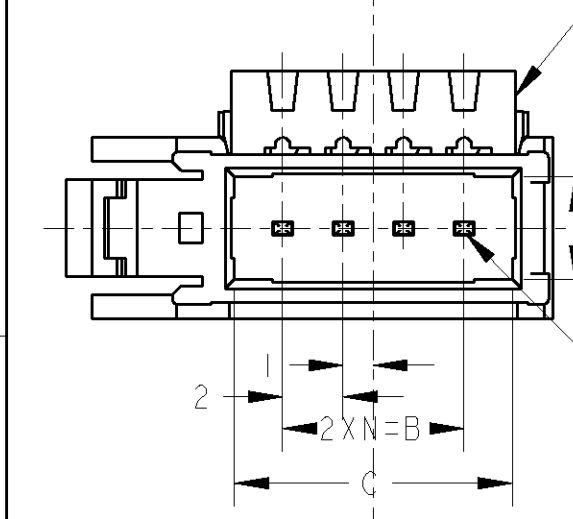
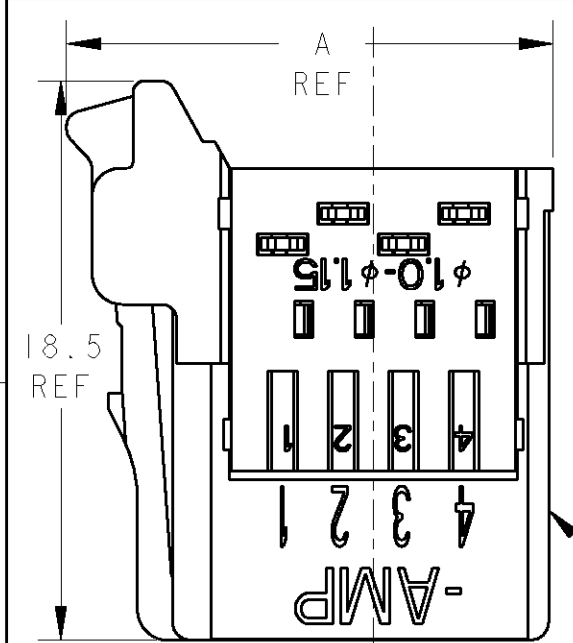


THIS DRAWING IS UNPUBLISHED. RELEASED FOR PUBLICATION
 © COPYRIGHT - ALL RIGHTS RESERVED.

LOC	DIST	REVISIONS					
J	-	P	LTR	DESCRIPTION	DATE	DWN	APVD
				C1 REVISED PER ECO-11-005030	26APR11	RK	HMR



1473562-4: AS SHOWN
 1473562-4: 本図

注記
 ① 材料: PLUG HOUSING: ガラス入り熱可塑性ポリエステル樹脂 94V-0 黒
 HOLD HOUSING: ポリカーボネイト 94V-0 黄色: 0-、赤色: 1-、青色: 2-
 コンタクト: 銅合金
 ② メッキ: 全面Ni下地: 1.27μm以上
 接点部: 0.2μm MIN 金メッキ
 ③ X--5(5POS)と-7(7POS)は、回路番号6と8にコンタクトが装着されません

NOTE
 ① MATERIAL: PLUG HOUSING: GLASS FILLED THERMOPLASTIC, 94V-0, BLACK
 HOLD HOUSING: PC, 94V-0, YELLOW: 0-, RED: 1-, BLUE: 2-
 CONTACT: COPPER ALLOY
 ② FINISH: UNDERPLATE: Ni 1.27μm min
 CONTACT AREA: Au 0.2μm min
 ③ X--5(5POS) AND X--7(7POS) DO NOT EQUIP WITH CONTACT OF CIRCUIT NO 6 AND 8.

BLUE	20.35	17.2	14	24.1	7	8	2-1473562-8
RED	20.35	17.2	14	24.1	7	8	1-1473562-8
YELLOW	20.35	17.2	14	24.1	7	8	1473562-8
BLUE	20.35	17.2	14	24.1	7	7	③ 2-1473562-7
RED	20.35	17.2	14	24.1	7	7	③ 1-1473562-7
YELLOW	20.35	17.2	14	24.1	7	7	③ 1473562-7
BLUE	16.35	13.2	10	20.1	5	6	2-1473562-6
RED	16.35	13.2	10	20.1	5	6	1-1473562-6
YELLOW	16.35	13.2	10	20.1	5	6	1473562-6
BLUE	16.35	13.2	10	20.1	5	5	③ 2-1473562-5
RED	16.35	13.2	10	20.1	5	5	③ 1-1473562-5
YELLOW	16.35	13.2	10	20.1	5	5	③ 1473562-5
BLUE	12.35	9.2	6	16.1	3	4	2-1473562-4
RED	12.35	9.2	6	16.1	3	4	1-1473562-4
YELLOW	12.35	9.2	6	16.1	3	4	1473562-4
BLUE	10.35	7.2	4	14.1	2	3	2-1473562-3
RED	10.35	7.2	4	14.1	2	3	1-1473562-3
YELLOW	10.35	7.2	4	14.1	2	3	1473562-3
HOLD HSG COLOR	D	C	B	A	N	POS	PART NUMBER

<Table of Insulation Dia (Cable suitable for e-CON.)>
 <被覆外径一覧表(e-CON 適応電線)>

ORANGE	φ0.60~0.90	3-1473562-□	SEE SHEET 3
RED	φ0.90~1.00	1-1473562-□	SEE SHEET 1
YELLOW	φ1.00~1.15	1473562-□	SEE SHEET 1
BLUE	φ1.15~1.35	2-1473562-□	SEE SHEET 1
GREEN	φ1.35~1.60	4-1473562-□	SEE SHEET 2
HOLD HSG COLOR	INSULATION DIA	PART NUMBER	SHEET No

DIMENSIONS: 単位: 概 mm	TOLERANCES UNLESS OTHERWISE SPECIFIED: 一般公差 0 PLC ± 1 PLC ±0.2 2 PLC ± ±3° 3 PLC ± 4 PLC ± ANGLES ±	DWN D.MITSUGI IOSEP2001
		CHK S.MANABE IOSEP2001
MATERIAL 材料	SEE NOTE	APVD S.MANABE IOSEP2001
	FINISH 仕上	PRODUCT SPEC 製品規格 108-5765
		APPLICATION SPEC 取付適用規格
		WEIGHT -
		CUSTOMER DRAWING

WIRE RANGE
 適合電線断面積 SEE 108-5765

INSULATION DIA
 被覆外径

TE TE Connectivity

NAME
 名称 PLUG ASSY
 FOR e-CON
 - RITS CONN. -

SIZE A3 CAGE CODE 00779 DRAWING NO 1473562 RESTRICTED TO -

SCALE 4:1 SHEET 1 OF 3 REV C1

取扱説明書 (Instruction Sheet): 411-78014

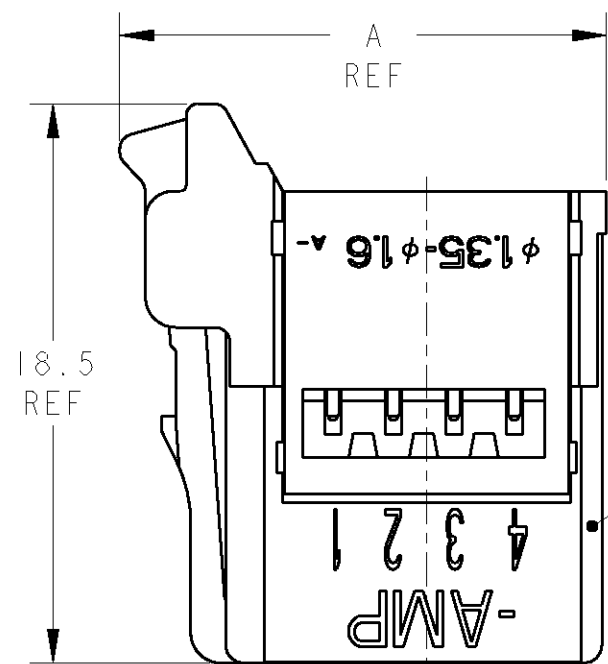
THIS DRAWING IS UNPUBLISHED.

RELEASED FOR PUBLICATION

© COPYRIGHT

ALL RIGHTS RESERVED.

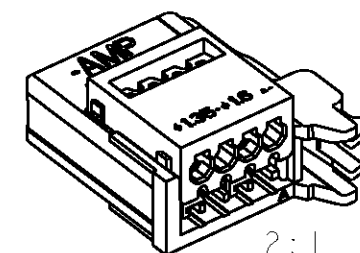
LOC	DIST	REVISIONS					
J	-	P	LTR	DESCRIPTION	DATE	DWN	APVD
		-		SEE SHEET 1			



PLUG HOUSING

4-1473562-4: AS SHOWN
 4-1473562-4: 本図

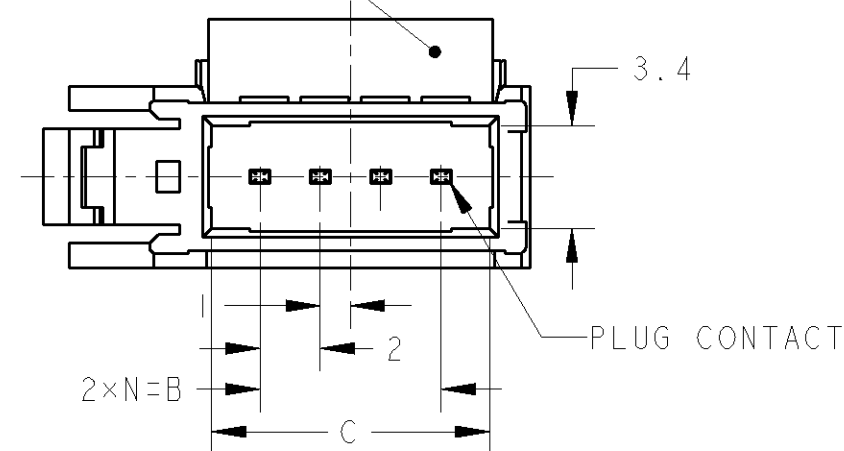
- ① 材料 PLUG HOUSING : ガラス入り熱可塑性ポリエステル樹脂 94V-0 黒
 HOLD HOUSING : ポリカーボネイト 94V-0 緑色:4-
 コンタクト : 銅合金
- ② 仕上げ 全面 : ニッケルメッキ下地 1.27μm以上
 接点部 : 金メッキ 0.2μm以上
- ③ -5(5POS)と-7(7POS)は、回路番号6と8にコンタクトが装着されません



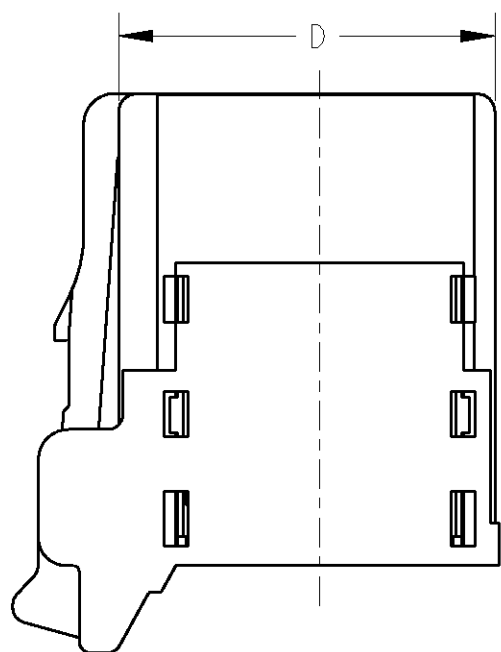
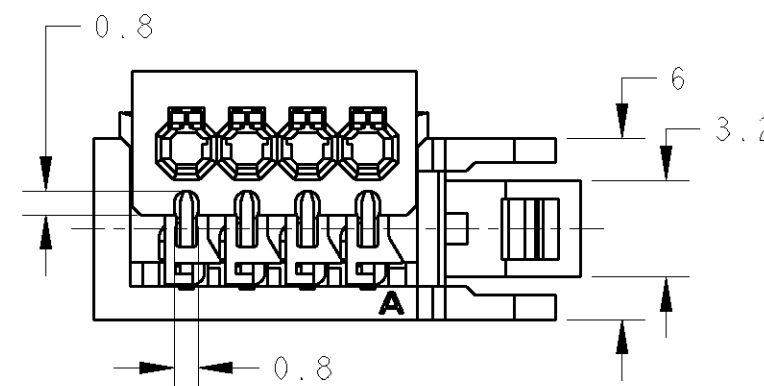
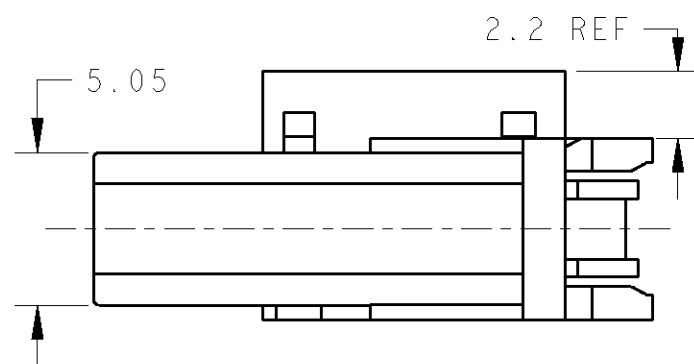
2:1

- ① MATERIAL PLUG HOUSING : GLASS FILLED THERMOPLASTIC, 94V-0, BLACK
 HOLD HOUSING : PC, 94V-0, GREEN:4-
 CONTACT : COPPER ALLOY
- ② FINISH UNDERPLATE : Ni PLATING ALL SURFACE 1.27μm MIN
 CONTACT AREA : Au PLATING 0.2μm MIN
- ③ -5(5POS) AND -7(7POS) DO NOT EQUIP WITH CONTACT OF CIRCUIT NO 6 AND 8.

HOLD HOUSING



PLUG CONTACT



取扱説明書 (Instruction Sheet): 411-78014

GREEN	20.35	17.2	14	24.1	7	8	4-1473562-8
	20.35	17.2	14	24.1	7	7	③4-1473562-7
	16.35	13.2	10	20.1	5	6	4-1473562-6
	16.35	13.2	10	20.1	5	5	③4-1473562-5
	12.35	9.2	6	16.1	3	4	4-1473562-4
	10.35	7.2	4	14.1	2	3	4-1473562-3
HOLD HSG COLOR	D	C	B	A	N	POS.	PART NUMBER

DIMENSIONS: 単位: 概 mm 		TOLERANCES UNLESS OTHERWISE SPECIFIED: 一般公差 0 PLC ± 1 PLC ±0.2 2 PLC ±3° 3 PLC ± 4 PLC ± ANGLES ±		DWN K.RIKU 26DEC02 CHK D.MITSUGI 26DEC02 APVD S.MANABE 26DEC02 PRODUCT SPEC 108-5765 APPLICATION SPEC 取付適用規格 WEIGHT -		TE Connectivity NAME 名称 PLUG ASSY FOR e-CON - RITS CONN. -	
MATERIAL ① SEE NOTE 材料		FINISH ② SEE NOTE 仕上		SIZE A3 CAGE CODE 00779 DRAWING NO. ①1473562 番号		RESTRICTED TO 限制	
CUSTOMER DRAWING				SCALE 3:1 尺度		SHEET 2 OF 3 REV C1	

THIS DRAWING IS UNPUBLISHED.

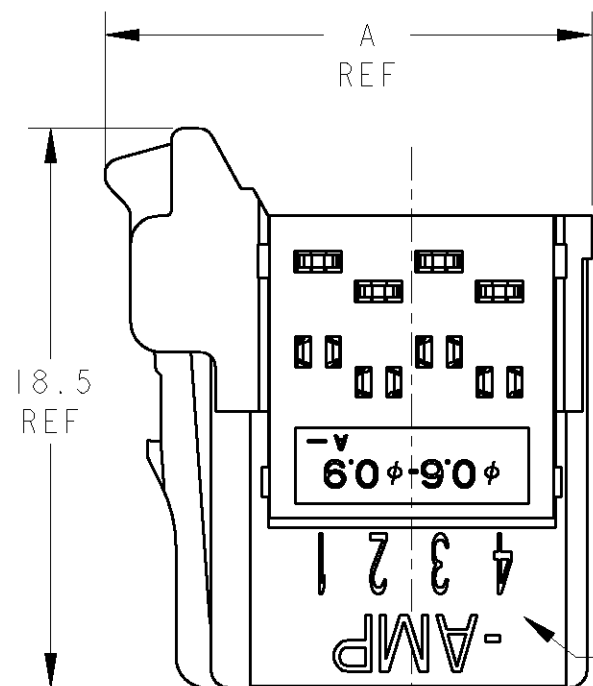
RELEASED FOR PUBLICATION

© COPYRIGHT

ALL RIGHTS RESERVED.

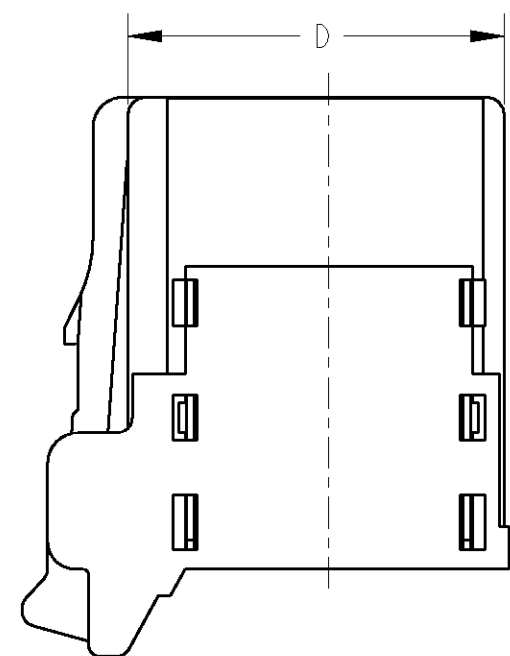
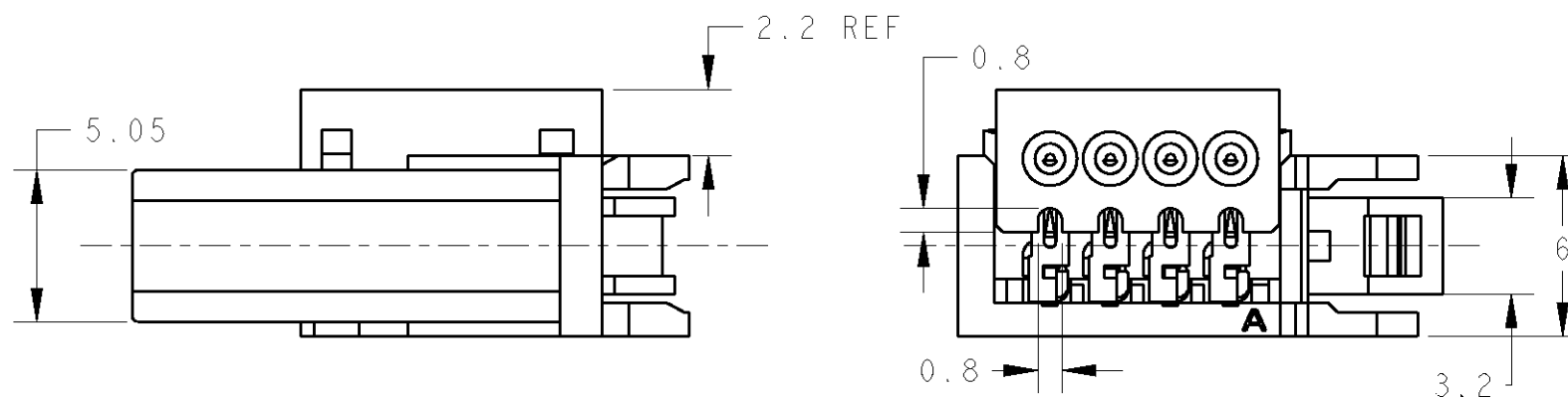
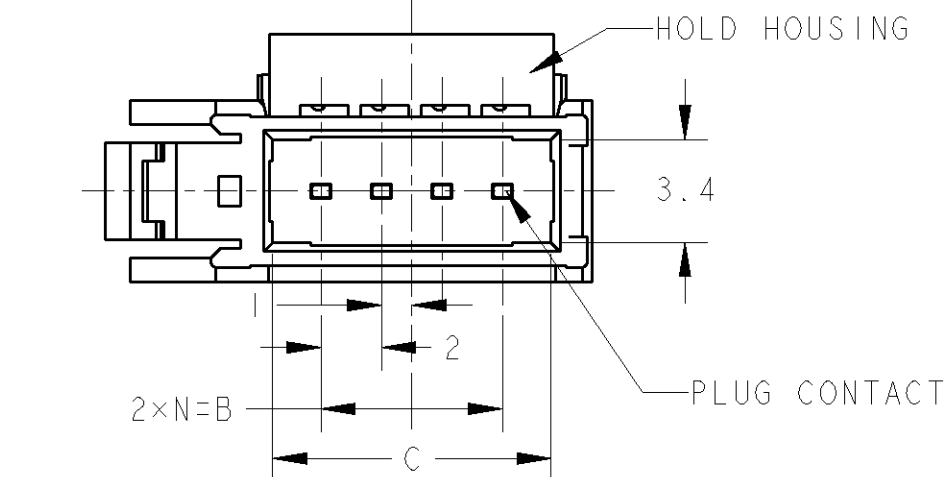
LOC	DIST	REVISIONS					
		P	LTR	DESCRIPTION	DATE	DWN	APVD
J	-			SEE SHEET 1			

3-1473562-4 : AS SHOWN
 3-1473562-4 : 本図



- ① 材料: PLUG HOUSING : ガラス入り熱可塑性ポリエステル樹脂 94V-0 黒
 HOLD HOUSING : ポリカーボネイト 94V-0 オレンジ色: 3-
 コンタクト: 銅合金
- ② メッキ: 全面ニッケル下地: 1.27μm以上
 接点部: 金メッキ: 0.2μm以上
- ③ -5(5POS)と-7(7POS)は、回路番号6と8にコンタクトが装着されません。

- ① MATERIAL: PLUG HOUSING : GLASS FILLED THERMOPLASTIC, 94V-0, BLACK
 HOLD HOUSING : PC, 94V-0, ORANGE: 3-
 CONTACT : COPPER ALLOY
- ② FINISH: UNDERPLATE : Ni 1.27μm MIN
 CONTACT AREA : Au 0.2μm MIN
- ③ -5(5POS) AND -7(7POS) DO NOT EQUIP WITH CONTACT OF CIRCUIT No. 6 & 8.



取扱説明書 (Instruction Sheet): 411-78010

ORANGE	20.35	17.2	14	24.1	7	8	3-1473562-8
	20.35	17.2	14	24.1	7	7	③ 3-1473562-7
	16.35	13.2	10	20.1	5	6	3-1473562-6
	16.35	13.2	10	20.1	5	5	③ 3-1473562-5
	12.35	9.2	6	16.1	3	4	3-1473562-4
	10.35	7.2	4	14.1	2	3	3-1473562-3
HOLD HSG COLOR	D	C	B	A	N	POS.	PART NUMBER

DIMENSIONS: 単位: 概 mm 		TOLERANCES UNLESS OTHERWISE SPECIFIED: 一般公差 0 PLC ± ±0.2 1 PLC ± ±3° 2 PLC ± ±3° 3 PLC ± ± 4 PLC ± ± ANGLES ± ±		DWN S. YOKOZEKI 21 JAN '03 CHK D. MITSUGI 30 JAN '03 APVD S. MANABE 30 JAN '03		TE Connectivity	
MATERIAL ① SEE NOTE 材料		FINISH ② SEE NOTE 仕上		PRODUCT SPEC 108-5765 APPLICATION SPEC 取付適用規格		NAME 名称 PLUG ASSY FOR e-CON - RITS CONN. -	
WEIGHT -		CUSTOMER DRAWING		SIZE A3 CAGE CODE 00779 DRAWING NO. 1473562		RESTRICTED TO -	
SCALE 4:1				SHEET 3 OF 3		REV C1	

X-ON Electronics

Largest Supplier of Electrical and Electronic Components

Click to view similar products for [Rectangular MIL Spec Connectors](#) category:

Click to view products by [TE Connectivity](#) manufacturer:

Other Similar products are found below :

[891-011-15SA2-BSST](#) [CTS-S16/16](#) [65002-062](#) [CY4602-000](#) [732-8020-01](#) [77058-22-55PN](#) [81542-20](#) [86.030.0053.0](#) [1241346-1](#) [RM252-020-311-2900](#) [DMC-M 08-16 SA](#) [1589051-4](#) [MSO34MPK1E1](#) [BACC65CAMA](#) [BACC65CP1PN](#) [BACI10BC0816PNBA](#) [HSB-D4S03DM222X](#) [2217548-1](#) [891-006-9PS-BST1T](#) [891-009-15SA2-BRT1T](#) [27963-20T12](#) [SIM2N40NC3](#) [SIM2S100A](#) [1604996-2](#) [SMD25PN90L-4055](#) [1900ND08S1B00A](#) [22628-10-6P-791](#) [33526M11-08PD](#) [RE04-212S](#) [M32139/03-G05SN](#) [CTD160E01F-6148](#) [CTJ112E03B](#) [CTJ122E02D-8000](#) [CTJ-3D-12](#) [CTJ920E06N-513](#) [CTJ920E12N-513](#) [CTL-16-090](#) [RM300-000-581-0000](#) [CY4600-000](#) [CY4601-000](#) [38111-14-15SN](#) [38112-14-15PN](#) [MMA23-0111R1](#) [MMD25-0071P1](#) [33516062020](#) [33526M11-08PE](#) [DMC-M99-01AN](#) [Y59113WE20PNV00300](#) [ZPF000000000106310](#) [105979-31](#)