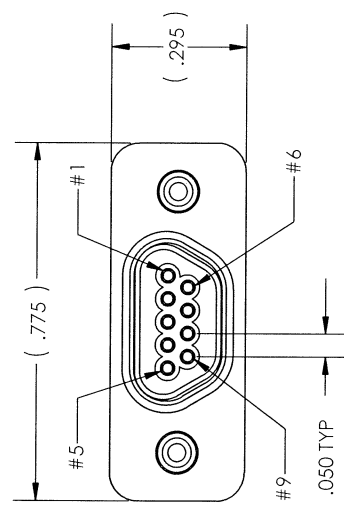


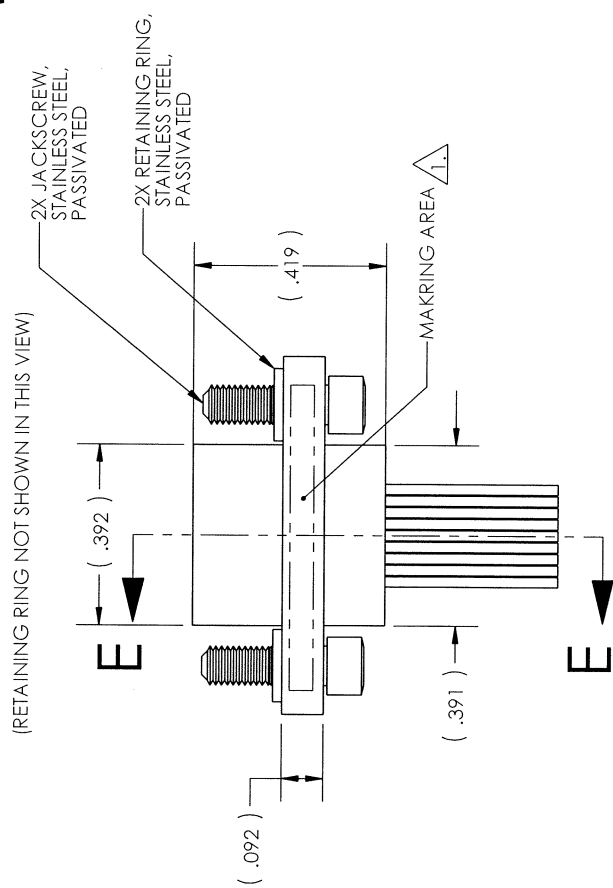
REVISION			
ZONE	LTR	ECN	DESCRIPTION
A	43737		NEW RELEASE.
			DATE
			7/29/8
			APPROVED
			TL

CAVITY NUMBER	COLOR CODE
1	WHT/BLK
2	WHT/BRN
3	WHT/RED
4	WHT/ORN
5	WHT/YEL
6	WHT/GRN
7	WHT/BLU
8	WHT/VIO
9	WHT/GRY

**WIRE TABLE** 4.



(RETAINING RING NOT SHOWN IN THIS VIEW)



SECTION E-E  
SCALE 2.5:1

ITEM NO.	PART NUMBER	NOMENCLATURE OR DESCRIPTION	MATERIAL SPECIFICATION	QTY REQD
<b>PARTS LIST</b>				
DIMENSIONS ARE IN INCHES TOLERANCES ARE: .XX ±.01 .XXX ±.005 ANGLES ±2		APPROVALS DRAWN: TONY LEE DATE: 7/29/8	tyco MICRODOT CONNECTORS DIVISION electronics 306 Pasadena Avenue South Pasadena, CA 91030	
BREAK EDGES: .005 MAX		P.E.	PROD CODE K460	
MATERIAL:		M.I.E.	CODE CDM	
FINISH:		Q.A.	MCK-N1-RM-9S6Q8-24.0	
THIS INFORMATION IS CONFIDENTIAL AND PROPERTY TO TYCO ELECTRONICS CORPORATION AND ITS WORLDWIDE SUBSIDIARIES AND AFFILIATES. IT MAY NOT BE DISCLOSED TO ANYONE, OTHER THAN THE AUTHORIZED PERSONNEL, WITHOUT THE AUTHORIZATION OF TYCO ELECTRONICS CORPORATION, HARRISBURG, PENNSYLVANIA, USA.				
SURFACE AREA: (SQ. INCHES)		CODE IDENT NO. DWG. NO. A 98278 4-1532239-4 =094-0116-2007		SHEET 1 OF 1

NOTES: UNLESS OTHERWISE SPECIFIED

- 1. MARK PER TPD.
- 2. EPOXY AS SHOWN WITH P/N: 983527-1 AND/OR 1325708-1.
- 3. CRIMP LEADS INTO CONTACTS PER MEP302-05.
- 4. SEE WIRE TABLE

## X-ON Electronics

Largest Supplier of Electrical and Electronic Components

*Click to view similar products for [TE Connectivity](#) manufacturer:*

Other Similar products are found below :

[D38999/24FJ4AN](#) [570416-000](#) [CLTEQ-M81CE-SSRELAY-4-20V](#) [4-1195131-0](#) [650069-000](#) [SMD100-2](#) [358838-000](#) [CB-1022B-78](#)  
[RM707012](#) [RP410012](#) [MMS42](#) [1-640426-8](#) [2EDL4CM](#) [DTS20W19-11PD-3028-LC](#) [RM202615](#) [NC6-P104-06](#) [MSPS103B](#) [DTS26F21-](#)  
[41HE-LC](#) [DTS26F21-41AE](#) [DTS26F21-41PE-LC](#) [DTS26F21-11SE-3028-LC](#) [30DCB6](#) [1932144-1](#) [293545-4](#) [LVR125S](#) [MS27466T25F4PB](#)  
[CKB-38-78010](#) [TR04AI-TINELLOCKRING](#) [1206SFF150F/63-2](#) [D38999/20JB35HA](#) [TE1500A2R2J](#) [D38999/20WC8BB](#) [DTS24F19-11SC-](#)  
[3028-LC](#) [D38999/24WG11HA](#) [D38999/24WG11HN](#) [MS27467T21F11H](#) [DJT16E21-11HA](#) [MS27467T21F35J](#) [MS27467T21F11J](#)  
[MS27467T21F16H-LC](#) [MS27467T21F35H](#) [MS27467T21F41H-LC](#) [1206SFH150F/24-2](#) [RP330024](#) [DJT16E21-11PA-LC](#) [DJT16E21-11HA-](#)  
[LC](#) [DJT16E21-11AA](#) [MS27467T21B11JA](#) [DJT16E21-11JA](#) [MS27467T21B11JA-LC](#)