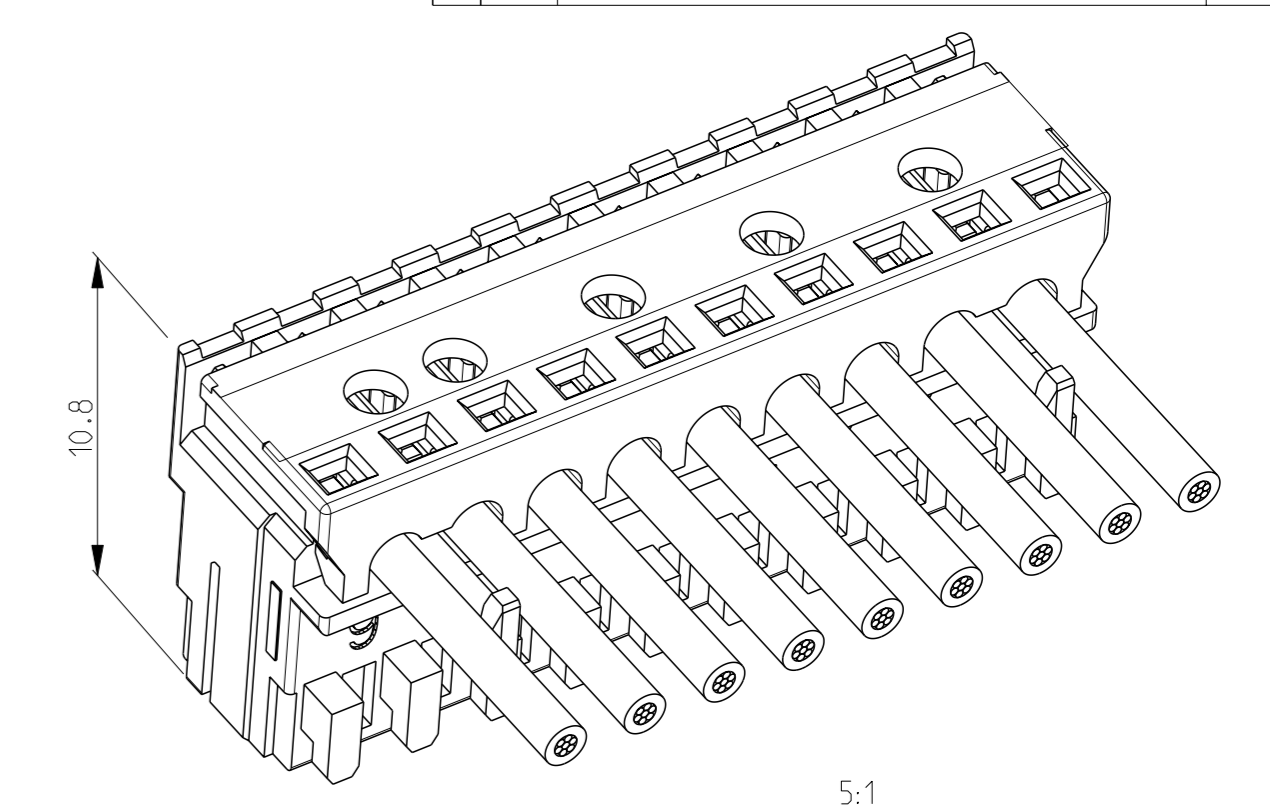
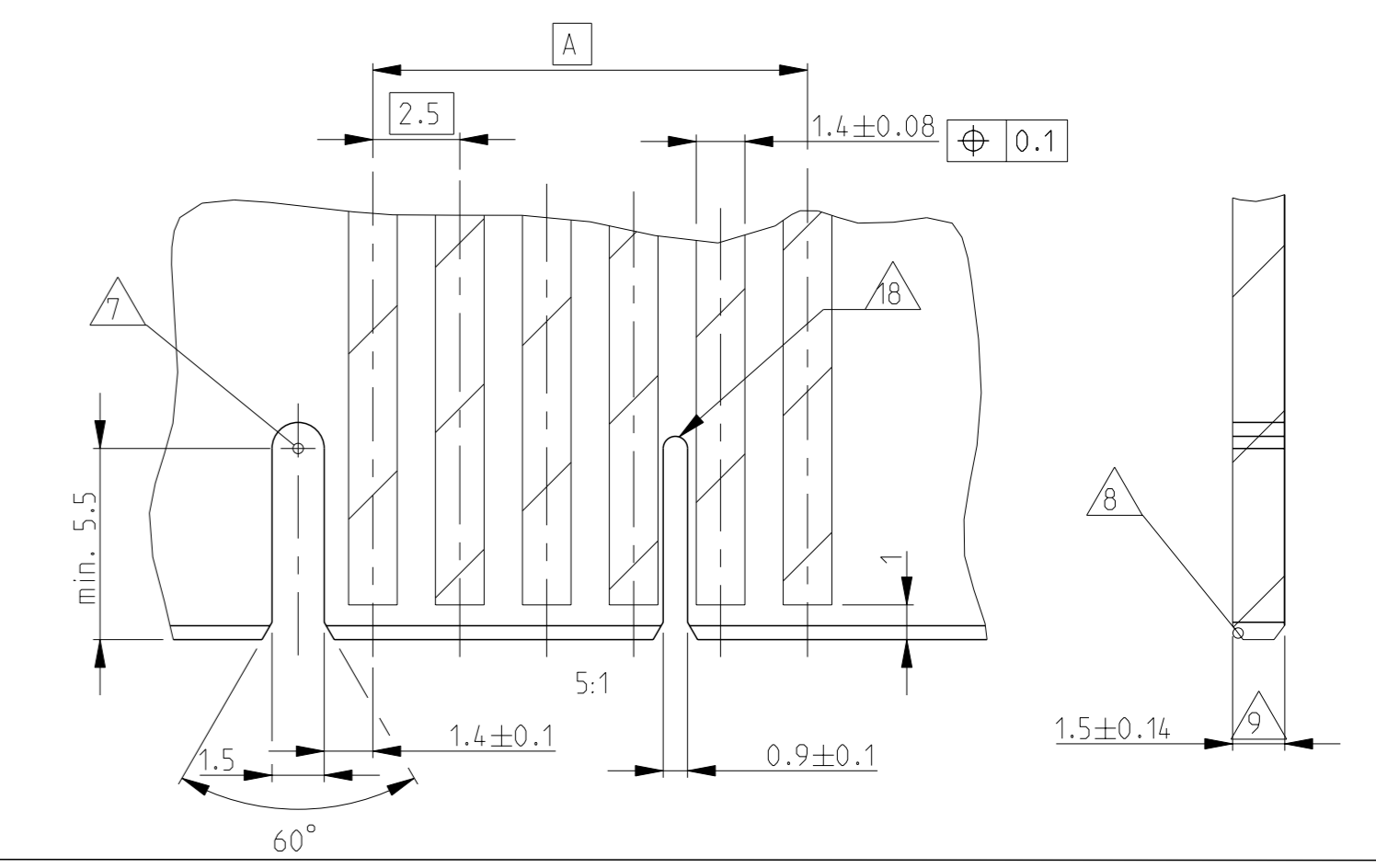


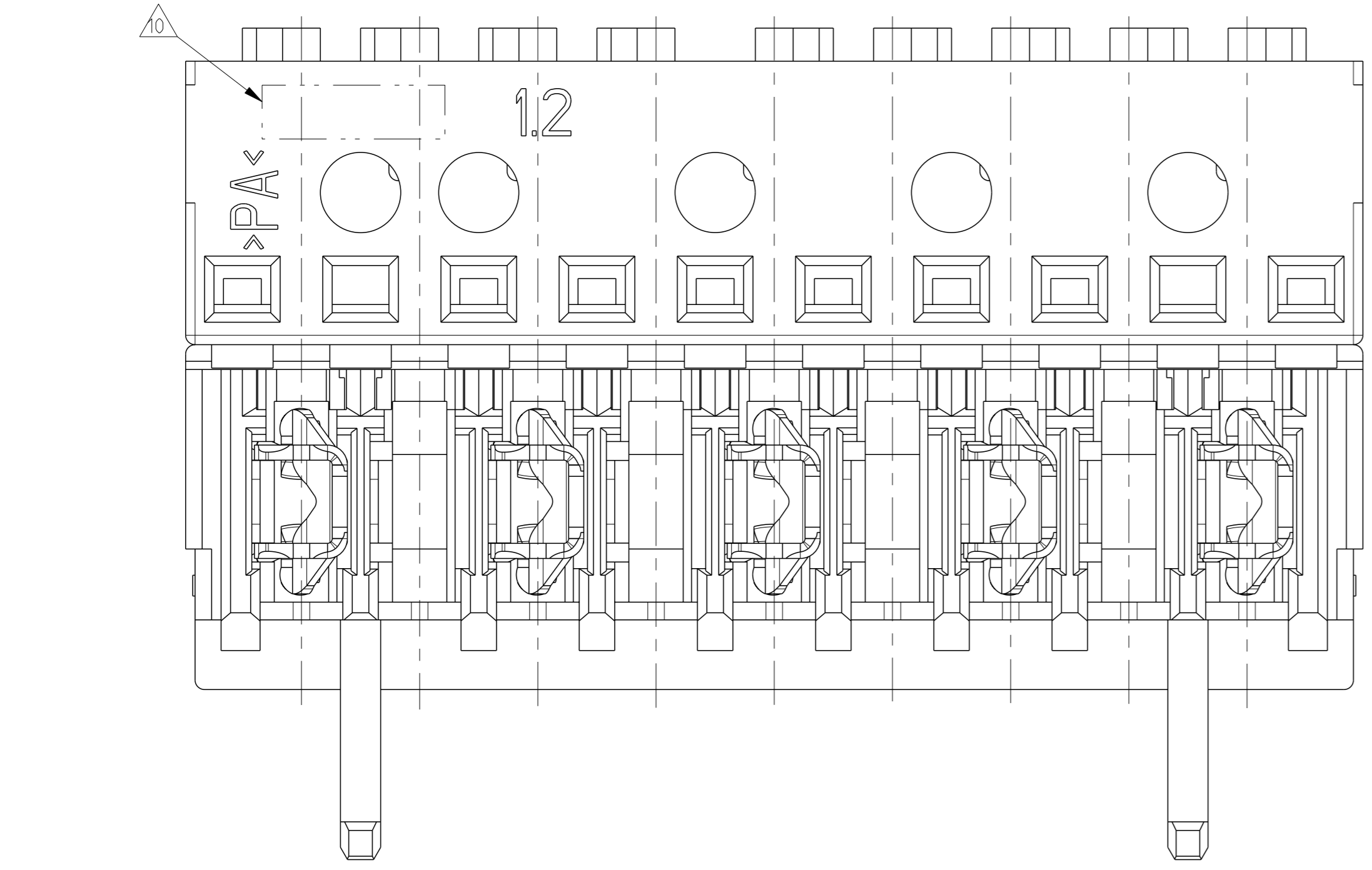
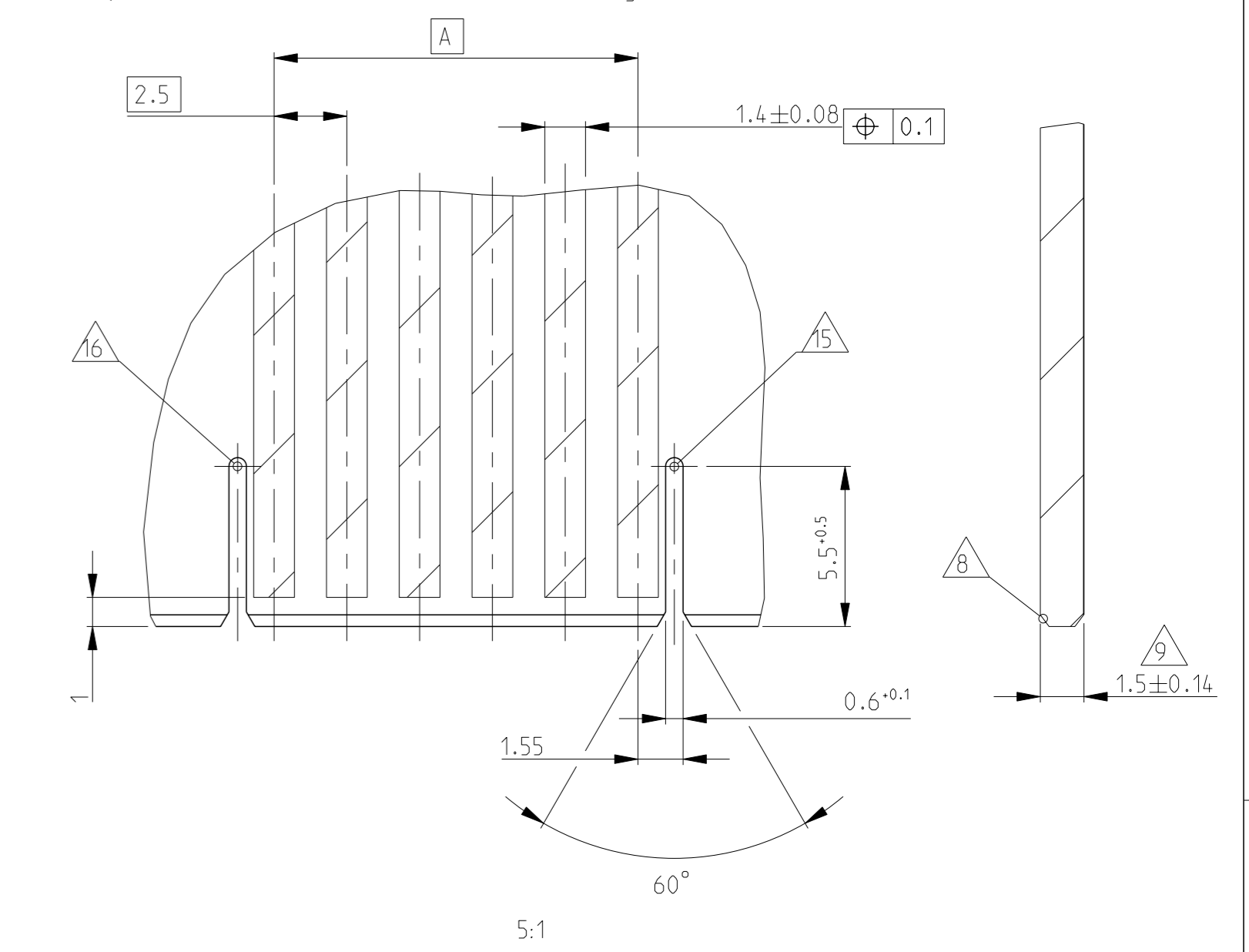
| LOC | DIST | REVISIONS | | | | |
|-----|------|-----------|---------------|-----------|-----|------|
| A1 | - | REV | DESCRIPTION | DATE | OWN | APVD |
| | | D51 | ECR-20-100617 | 05NOV2020 | W W | FL |
| | | D52 | ECR-20-101062 | 17DEC2020 | P J | FL |
| | | D53 | ECR-21-100373 | 01FEB2021 | S M | FL |



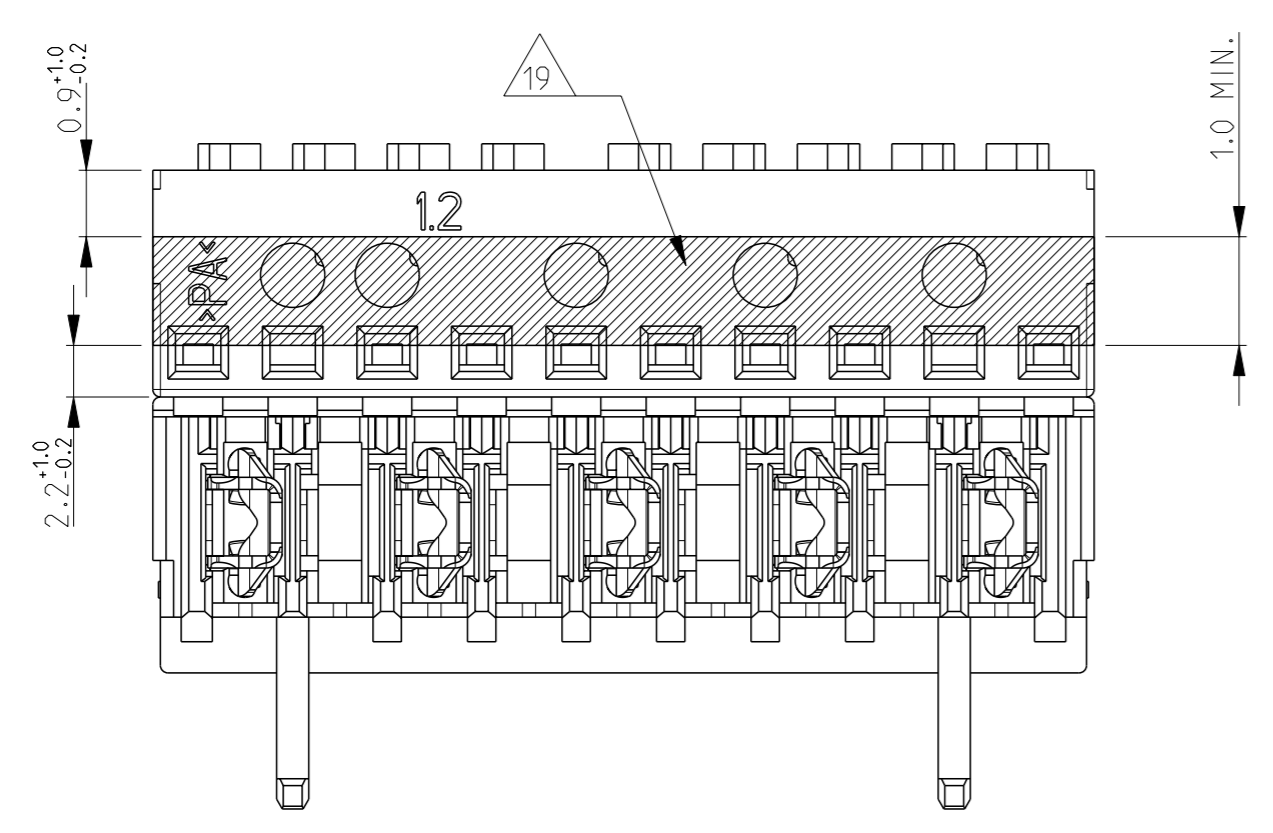
PCB LAYOUT KEYED / CONNECTED ONLY WITH ADDITIONAL FRAME (THICK KEYING)
Leiterplattenanschluss kodiert / nur in Verbindung mit zusätzlichem Rahmen



PCB LAYOUT KEYED / CONNECTED ONLY WITH ADDITIONAL FRAME (SLIM KEYING)
Leiterplattenanschluss kodiert / nur in Verbindung mit zusätzlichem Rahmen



- 27 DIMENSION AVAILABLE FOR PART X-2304525-X, X-2304526-X.
- 26 WITH SPECIAL CHAIN FEATURE
- 25 SIDE KEYING ON LAST CAVITY THICKNESS=1.5mm
- 24 SIDE KEYING ON CAVITY 1 THICKNESS=1.5mm
- 19 COLOR STRIP ON COVER OF HOUSING, NOT THE COLOR OF HOUSING.
- 18 SLOT, THICK, BETWEEN CAVITIES
- 17 KEYING, THICK, BETWEEN POSITION
- 16 SLOT, SLIM, FOR SIDE KEYING, LAST CAVITY
- 15 SLOT, SLIM, FOR SIDE KEYING, SIDE CAVITY 1
- 14 SIDE KEYING, SLIM, ON LAST CAVITY
- 13 SIDE KEYING, SLIM, ON CAVITY 1
- 12 KEYING SLIM BETWEEN POSITIONS
- 11 PRELIMINARY PART NOT RELEASED FOR PRODUCTION
- 10 TE LOGO
- 9 INCLUSIVE COPPER LOADING
- 8 PCB PREFERABLY CHAMFERED
- 7 SLOT, THICK, FOR SIDE KEYING
- 6 SIDE KEYING, THICK, ON LAST CAVITY
- 5 WIRE RANG: 0.22-0.35mm² SEE APPLICATION SPEC. 114-18467
- 4 IEC60695-2-11 / IEC60335-1 GLOW WIRE TEST 750 °C WITHOUT FLAME
- 3 X..CAVITY LOADED WITH CONTACT
0..CAVITY WITHOUT CONTACT
- 2 MATING PART: PCB (WITH FRAMES ACC. RAST 2.5 E.G. PN 964 575/576
TAB HEADER (FOR EXAMPLE: X-1971921/922-Y)
- 1 KEYING RIBS; CUTTING WITH TERMINATION MACHINE POSSIBLE



OTHER NOTE SEE SHEET 3 OF 3.

| | | | | | | | | | | | | | | | | | |
|---|------|------------------------------|-------------------------|---|------|-------|------|-------|------|-------|------|--------|-----|-----------------------------|-----------------|--|--|
| THIS DRAWING IS A CONTROLLED DOCUMENT. | | OWN: H. Karabiyik 24MAY2002 | | TE Connectivity | | | | | | | | | | | | | |
| DIMENSIONS: mm | | CHK: B. Schnaubelt 24MAY2002 | | NAME: AMP DUOPLUG 2.5 MARK II FEMALE CONNECTOR 3-20 POSITION SELECTIVE LOADED | | | | | | | | | | | | | |
| TOLERANCES UNLESS OTHERWISE SPECIFIED: | | APVD: T. Klenner 24MAY2002 | PRODUCT SPEC: 108-18785 | | | | | | | | | | | | | | |
| <table border="1"> <tr><td>0 PLC</td><td>±0.2</td></tr> <tr><td>1 PLC</td><td>±0.2</td></tr> <tr><td>2 PLC</td><td>±0.2</td></tr> <tr><td>3 PLC</td><td>±0.2</td></tr> <tr><td>4 PLC</td><td>±0.2</td></tr> <tr><td>ANGLES</td><td>±1°</td></tr> </table> | | 0 PLC | ±0.2 | 1 PLC | ±0.2 | 2 PLC | ±0.2 | 3 PLC | ±0.2 | 4 PLC | ±0.2 | ANGLES | ±1° | APPLICATION SPEC: 114-18467 | SIZE: 114-18467 | | |
| 0 PLC | ±0.2 | | | | | | | | | | | | | | | | |
| 1 PLC | ±0.2 | | | | | | | | | | | | | | | | |
| 2 PLC | ±0.2 | | | | | | | | | | | | | | | | |
| 3 PLC | ±0.2 | | | | | | | | | | | | | | | | |
| 4 PLC | ±0.2 | | | | | | | | | | | | | | | | |
| ANGLES | ±1° | | | | | | | | | | | | | | | | |
| MATERIAL: - | | WEIGHT: - | RESTRICTED TO: - | | | | | | | | | | | | | | |
| Customer Drawing | | SCALE: 10:1 | SHEET 1 OF 3 | | | | | | | | | | | | | | |

X-ON Electronics

Largest Supplier of Electrical and Electronic Components

Click to view similar products for [Headers & Wire Housings](#) category:

Click to view products by [TE Connectivity](#) manufacturer:

Other Similar products are found below :

[892-18-020-10-001101](#) [58102-G61-06LF](#) [582553-1](#) [0009485154](#) [009176003701906](#) [0050291907](#) [LY20-4P-DT1-P1E-BR](#) [02.125.8002.8](#)
[609-3404](#) [61062-3](#) [61082-181009](#) [622-3653LF](#) [63453-116](#) [636-1030](#) [636-1427](#) [636-3427](#) [636-4007](#) [641938-9](#) [641991-4](#) [644827-2](#) [65817-010LF](#) [65817-015LF](#) [65863-015LF](#) [66207-023LF](#) [67095-007LF](#) [67601157](#) [68645-018](#) [68648-049](#) [70.362.1628.0](#) [70-4210](#) [70-4226B](#) [70-4853B](#) [707-5020](#) [707-5028](#) [71.350.2428.0](#) [71918-208LF](#) [71961-016LF](#) [733-134](#) [733-162](#) [754199-000](#) [760-3052](#) [787-8014-00](#) [79531-3000](#)
[FCN-360C032-B](#) [FCN-367T-T012/H](#) [FCN-723D010/2](#) [80.063.4001.1](#) [800-90-001-10-001000](#) [800-90-010-10-002000](#) [801-43-002-10-013000](#)