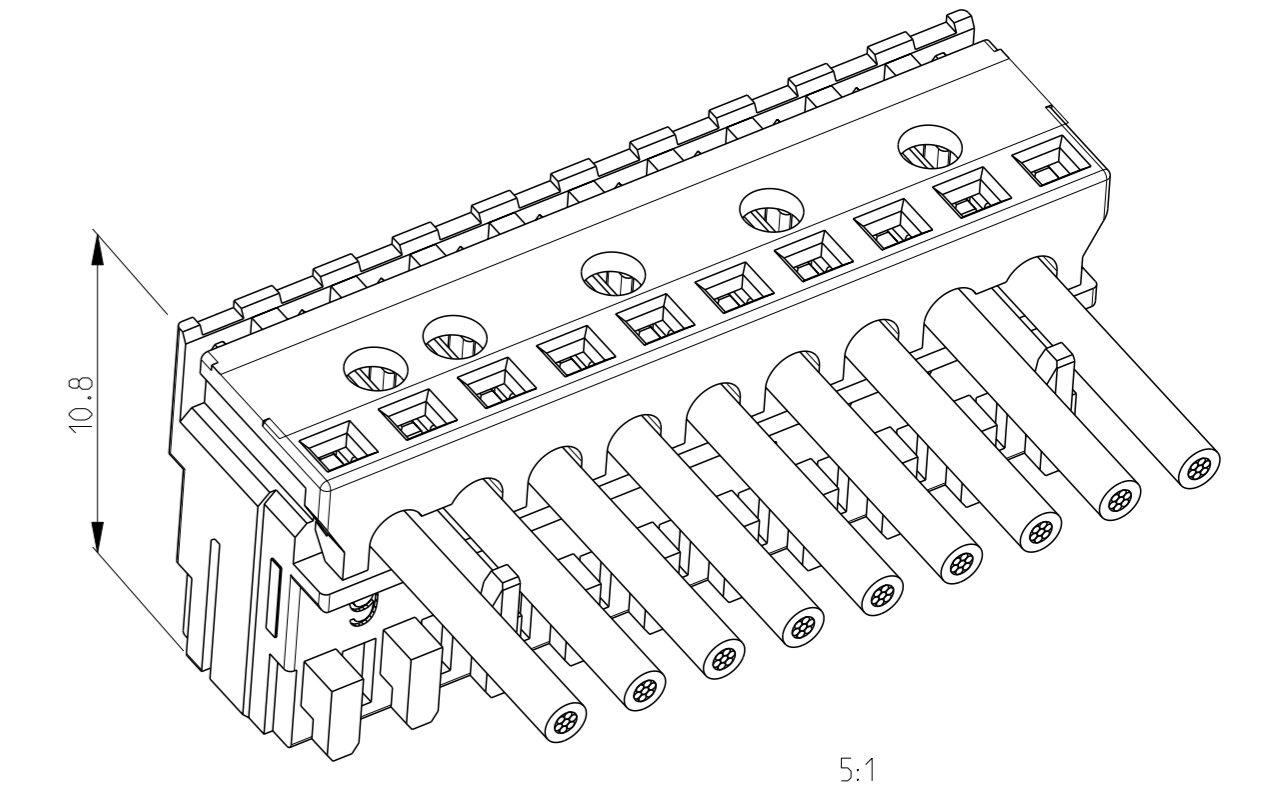
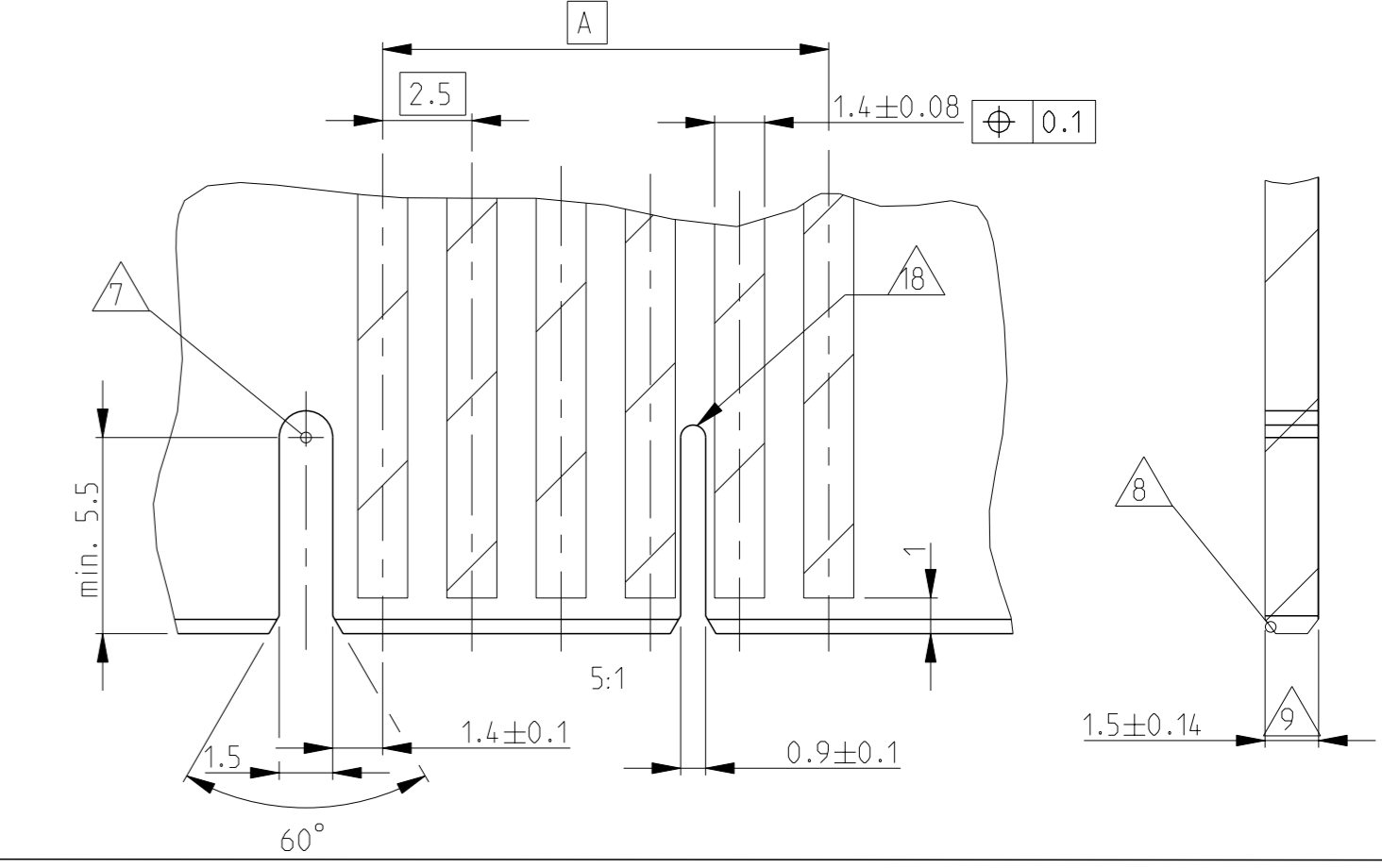


- △27 DIMENSION AVAILABLE FOR PART X-2304525-X, X-2304526-X.
- △26 WITH SPECIAL CHAIN FEATURE
- △25 SIDE KEYING ON LAST CAVITY THICKNESS=1.5mm
- △24 SIDE KEYING ON CAVITY 1 THICKNESS=1.5mm
- △19 COLOR STRIP ON COVER OF HOUSING, NOT THE COLOR OF HOUSING.
- △18 SLOT, THICK, BETWEEN CAVITIES
- △17 KEYING, THICK, BETWEEN POSITION
- △16 SLOT, SLIM, FOR SIDE KEYING, LAST CAVITY
- △15 SLOT, SLIM, FOR SIDE KEYING, SIDE CAVITY 1
- △14 SIDE KEYING, SLIM, ON LAST CAVITY
- △13 SIDE KEYING, SLIM, ON CAVITY 1
- △12 KEYING SLIM BETWEEN POSITIONS
- △11 PRELIMINARY PART NOT RELEASED FOR PRODUCTION
- △10 TE LOGO
- △9 INCLUSIVE COPPER LOADING
- △8 PCB PREFERABLY CHAMFERED
- △7 SLOT, THICK, FOR SIDE KEYING
- △6 SIDE KEYING, THICK, ON LAST CAVITY
- 5 WIRE RANG: 0.22-0.35mm<sup>2</sup> SEE APPLICATION SPEC. 114-18467
- △4 IEC60695-2-11 / IEC60335-1 GLOW WIRE TEST 750 °C WITHOUT FLAME
- △3 X..CAVITY LOADED WITH CONTACT  
O..CAVITY WITHOUT CONTACT
- 2 MATING PART: PCB (WITH FRAMES ACC. RAST 2.5 E.G. PN 964 575/576  
TAB HEADER (FOR EXAMPLE: X-1971921/922-Y)
- △1 KEYING RIBS; CUTTING WITH TERMINATION MACHINE POSSIBLE

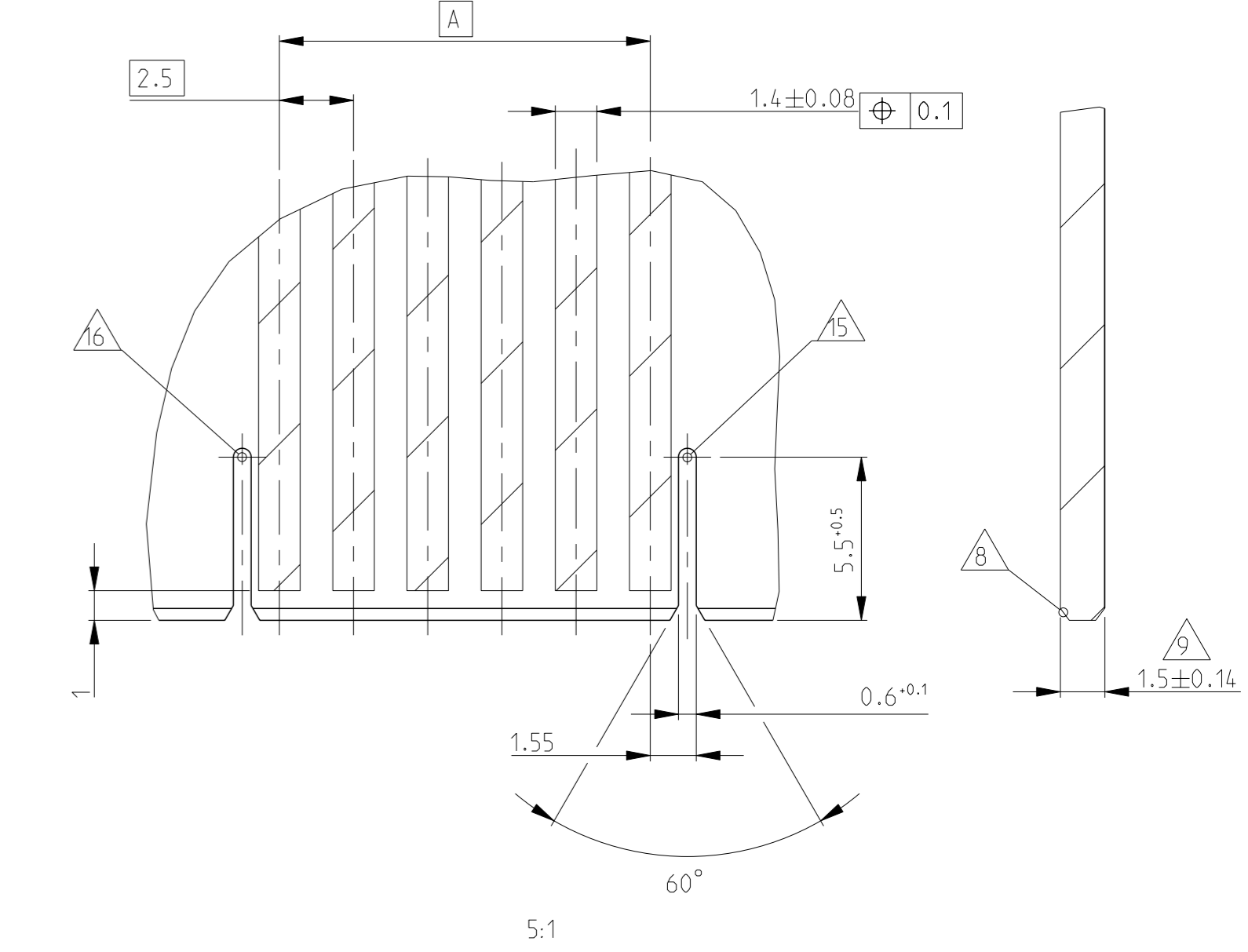
LOC	DIST	REVISIONS				
A1	-	REV	DESCRIPTION	DATE	OWN	APVD
		D51	ECR-20-100617	05NOV2020	W W	FL
		D52	ECR-20-101062	17DEC2020	P J	FL
		D53	ECR-21-100373	01FEB2021	S M	FL



PCB LAYOUT KEYED / CONNECTED ONLY WITH ADDITIONAL FRAME (THICK KEYING)  
Leiterplattenanschluss kodiert / nur in Verbindung mit zusätzlichem Rahmen



PCB LAYOUT KEYED / CONNECTED ONLY WITH ADDITIONAL FRAME (SLIM KEYING)  
Leiterplattenanschluss kodiert / nur in Verbindung mit zusätzlichem Rahmen



OTHER NOTE SEE SHEET 3 OF 3.

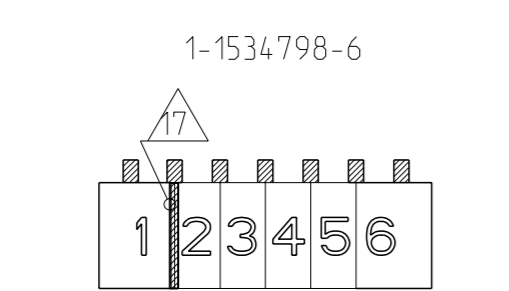
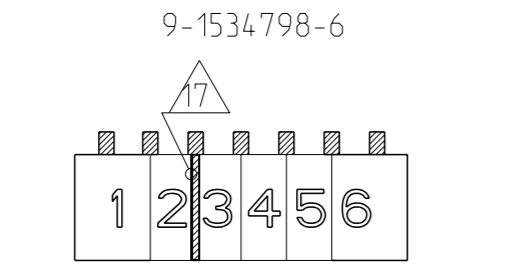
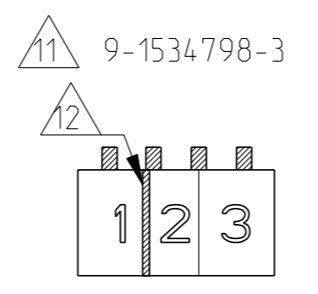
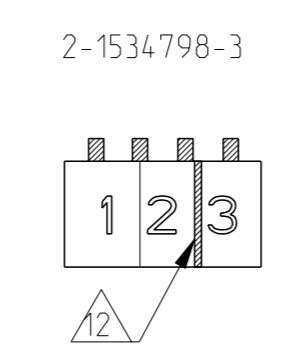
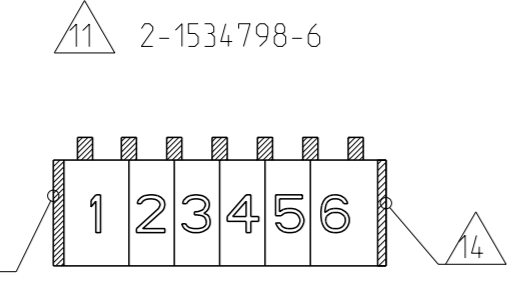
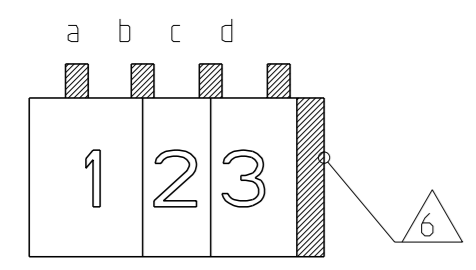
THIS DRAWING IS A CONTROLLED DOCUMENT.		OWN: H. Karabiyik 24MAY2002	 TE Connectivity
DIMENSIONS: mm		CHK: B. Schnaubelt 24MAY2002	
TOLERANCES UNLESS OTHERWISE SPECIFIED:		APVD: T. Klenner 24MAY2002	NAME: AMP DUOPLUG 2.5 MARK II FEMALE CONNECTOR 3-20 POSITION SELECTIVE LOADED
0 PLC ±0.2	1 PLC ±0.2	PRODUCT SPEC	SIZE: 114-18467
2 PLC ±0.2	3 PLC ±0.2	APPLICATION SPEC	CAGE CODE: 00779
4 PLC ±	ANGLES ±	FINISH ±	DRAWING NO: 1534798
MATERIAL: -	FINISH: -	WEIGHT: -	REVISION: D53
Customer Drawing		SCALE: 10:1	SHEET: 1 OF 3

LOC	DIST	REV	DATE	OWN	APVD
A1	-				

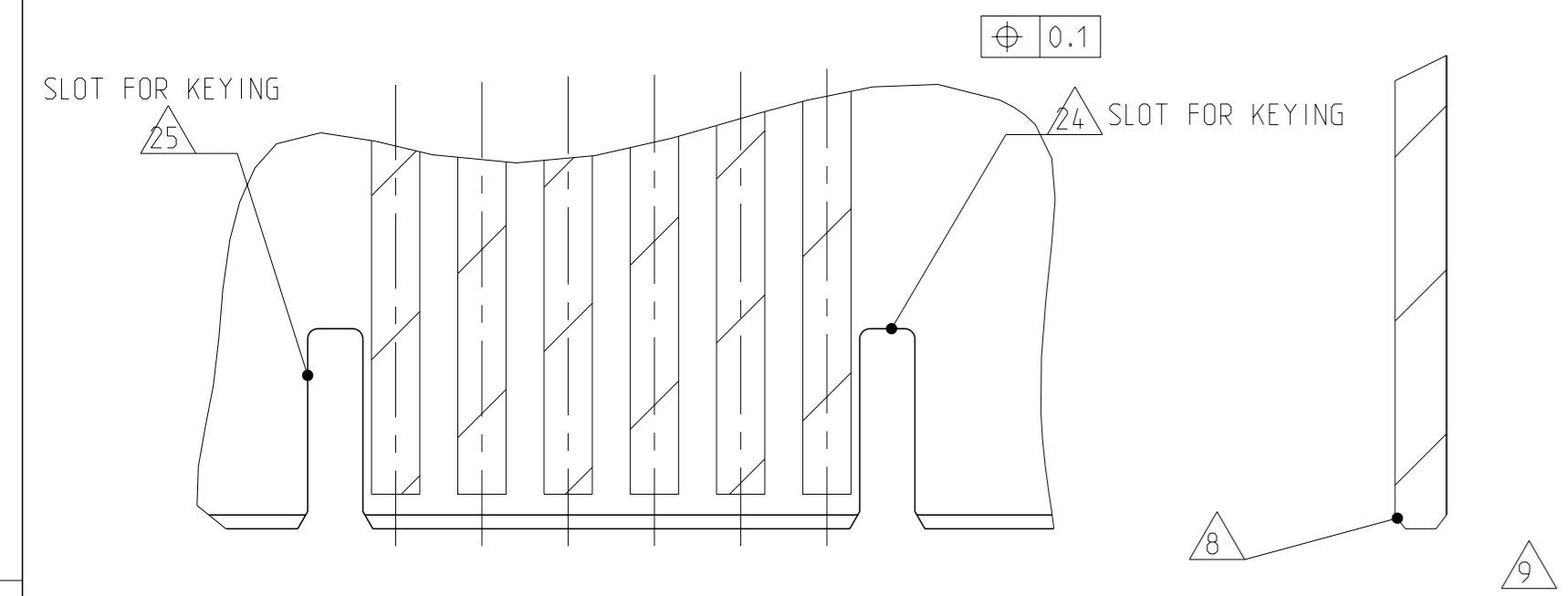
**KEYING PLAN**

Kodierschema

4-1534798-3



PCB LAYOUT KEYED / CONNECTED ONLY WITH ADDITIONAL FRAME (KEYING THICKNESS-1.5mm)



GWEPT 750°C NO FLAME & UL94-V2, TIN PLATED VERSION																															
Color	20	19	18	17	16	15	14	13	12	11	10	9	8	7	6	5	4	3	2	1	POS. Polzahl	DIM A	DIM B	KEYING	KEYING	KEYING	KEYING	KEYING	KEYING	KEYING	PN Bestell-Nr.
																						19	45	49.9						1-1534799-9	
																						17	40	44.9			8/9			1534799-7	
																						15	35	39.9						1-1534799-5	
																						13	30	34.9						4-1534799-3	
																														3-1534799-3	
																						12	27.5	32.4						1-1534799-2	
																										8/9				2-1534799-2	
Black																						11	25	29.9						5-1534799-1	
																														5-1534799-1	
																														3-1534799-1	
																														2-1534799-1	
																														5-1534798-0	
																						10	22.5	27.4						4-1534798-0	
																														3-1534798-0	
																														2-1534798-0	
																														7-1534798-9	
																														6-1534798-9	
																														5-1534798-9	
																														4-1534798-9	
																														3-1534798-9	
																														9-1534798-8	
																														8-1534798-8	
																														7-1534798-8	
																														6-1534798-8	
																														5-1534798-8	
																														4-1534798-8	
																														3-1534798-8	
Black																														6-1534798-7	
																														5-1534798-7	
																														4-1534798-7	
																														3-1534798-7	
Black																														2-1534798-6	
Red																														1-1534798-6	
																														9-1534798-6	
																														8-1534798-6	
																														7-1534798-6	
																														6-1534798-6	
																														5-1534798-6	
																														2314657-6	
																														1-2314657-6	
																														4-1534798-6	
																														3-1534798-6	
Brown																														9-1534798-5	
																														8-1534798-5	
Black																														7-1534798-5	
																														6-1534798-5	
																														5-1534798-5	
																														4-1534798-5	
																														3-1534798-5	
																														2-1534798-5	
																														3-1534798-4	
Orange																														1-1534798-3	
																														1534798-3	
																														9-1534798-3	
																														2-1534798-3	
Brown																														8-1534798-3	
Green																														7-1534798-3	
Blue																														6-1534798-3	
																														5-1534798-3	
																														4-1534798-3	
																														3-1534798-3	

2	SEE TABLE	CONTACT/Kontakt	CuSn	TINNED/verzinkt
1	siehe Tabelle	HOUSING/Federleistengeh.	HIGH TEMP PLASTIC	NATUR/Natur
POS.	PN Bestell-Nr.	DESCRIPTION Beschreibung	MATERIAL	COLOR/FINISH Farbe/Oberflaeche

THIS DRAWING IS A CONTROLLED DOCUMENT.

OWNER: H. Karabiyik, 24MAY2002  
 CHK: B. Schnaubelt, 24MAY2002  
 APVD: T. Klenner, 24MAY2002

PRODUCT SPEC: 108-18785  
 APPLICATION SPEC: 114-18467

WEIGHT: -  
 Customer Drawing

SIZE: A1  
 CAGE CODE: 00779  
 DRAWING NO: 1534798

RESTRICTED TO: -



## X-ON Electronics

Largest Supplier of Electrical and Electronic Components

*Click to view similar products for [Headers & Wire Housings](#) category:*

*Click to view products by [TE Connectivity](#) manufacturer:*

Other Similar products are found below :

[892-18-020-10-001101](#) [58102-G61-06LF](#) [582553-1](#) [0009485154](#) [009176003701906](#) [0050291907](#) [LY20-4P-DT1-P1E-BR](#) [02.125.8002.8](#)  
[609-3404](#) [61062-3](#) [61082-181009](#) [622-3653LF](#) [63453-116](#) [636-1030](#) [636-1427](#) [636-3427](#) [636-4007](#) [641938-9](#) [641991-4](#) [644827-2](#) [65817-010LF](#) [65817-015LF](#) [65863-015LF](#) [66207-023LF](#) [67095-007LF](#) [67601157](#) [68645-018](#) [68648-049](#) [70.362.1628.0](#) [70-4210](#) [70-4226B](#) [70-4853B](#) [707-5020](#) [707-5028](#) [71.350.2428.0](#) [71918-208LF](#) [71961-016LF](#) [733-134](#) [733-162](#) [754199-000](#) [760-3052](#) [787-8014-00](#) [79531-3000](#)  
[FCN-360C032-B](#) [FCN-367T-T012/H](#) [FCN-723D010/2](#) [80.063.4001.1](#) [800-90-001-10-001000](#) [800-90-010-10-002000](#) [801-43-002-10-013000](#)