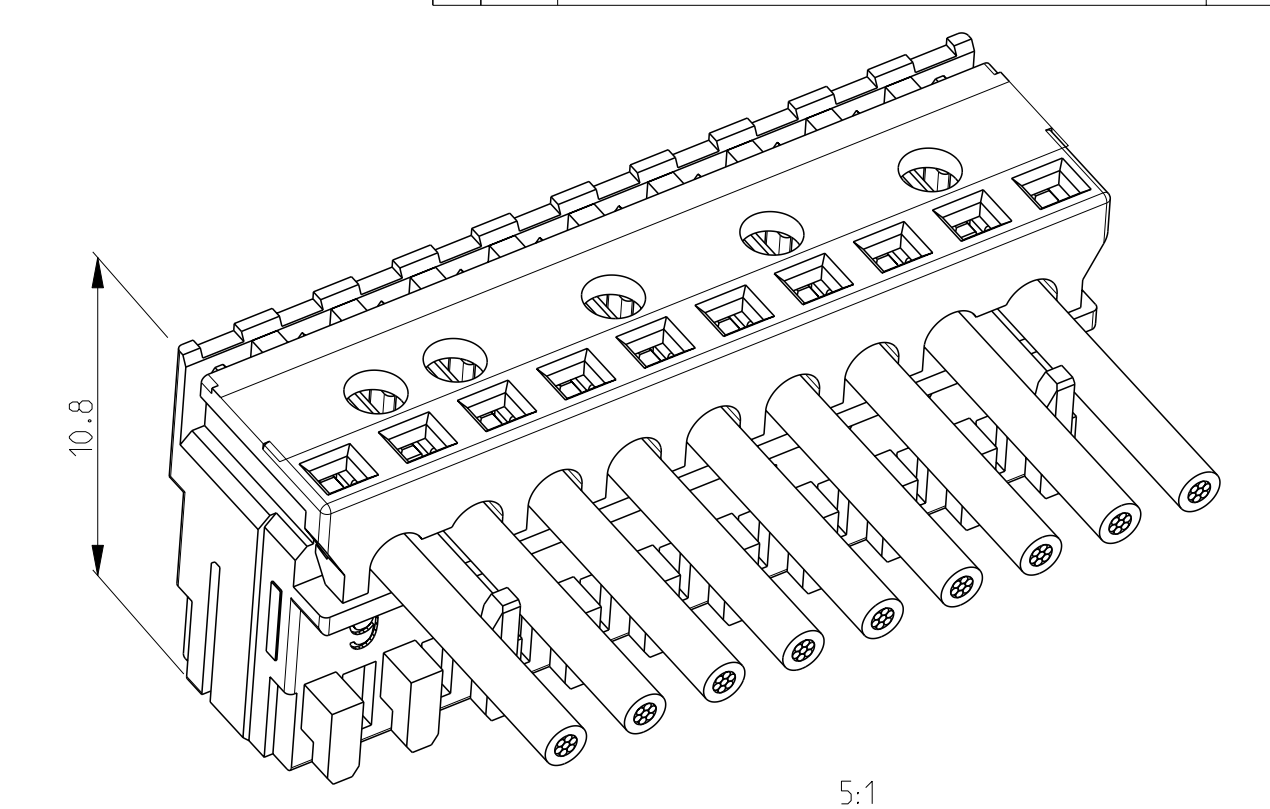
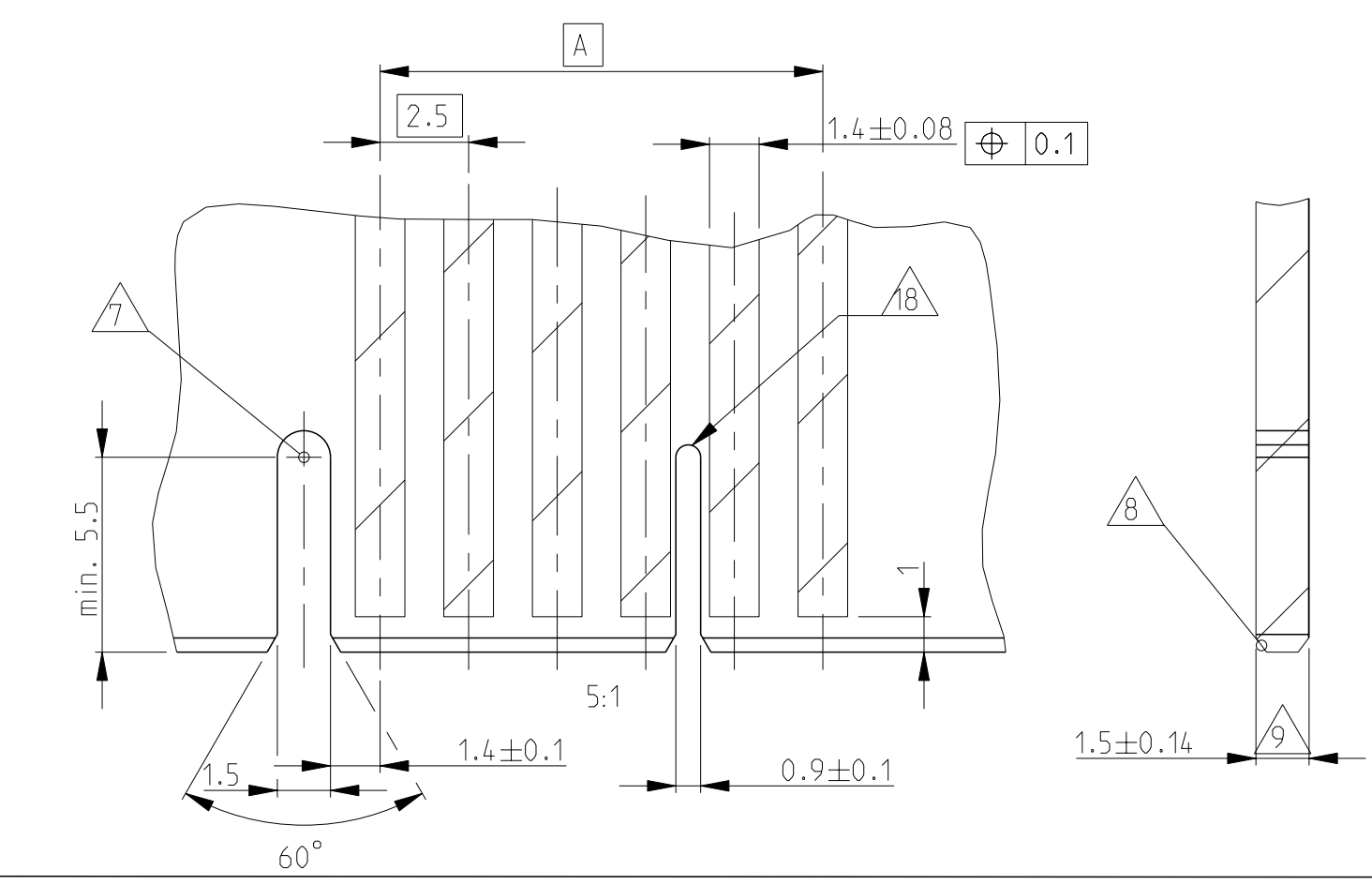


- △27 DIMENSION AVAILABLE FOR PART X-2304525-X, X-2304526-X.
- △26 WITH SPECIAL CHAIN FEATURE
- △25 SIDE KEYING ON LAST CAVITY THICKNESS=1.5mm
- △24 SIDE KEYING ON CAVITY 1 THICKNESS=1.5mm
- △19 COLOR STRIP ON COVER OF HOUSING, NOT THE COLOR OF HOUSING.
- △18 SLOT, THICK, BETWEEN CAVITIES
- △17 KEYING, THICK, BETWEEN POSITION
- △16 SLOT, SLIM, FOR SIDE KEYING, LAST CAVITY
- △15 SLOT, SLIM, FOR SIDE KEYING, SIDE CAVITY 1
- △14 SIDE KEYING, SLIM, ON LAST CAVITY
- △13 SIDE KEYING, SLIM, ON CAVITY 1
- △12 KEYING SLIM BETWEEN POSITIONS
- △11 PRELIMINARY PART NOT RELEASED FOR PRODUCTION
- △10 TE LOGO
- △9 INCLUSIVE COPPER LOADING
- △8 PCB PREFERABLY CHAMFERED
- △7 SLOT, THICK, FOR SIDE KEYING
- △6 SIDE KEYING, THICK, ON LAST CAVITY
- 5 WIRE RANG: 0.22-0.35mm<sup>2</sup> SEE APPLICATION SPEC. 114-18467
- △4 IEC60695-2-11 / IEC60335-1 GLOW WIRE TEST 750 °C WITHOUT FLAME
- △3 X..CAVITY LOADED WITH CONTACT  
O..CAVITY WITHOUT CONTACT
- 2 MATING PART: PCB (WITH FRAMES ACC. RAST 2.5 E.G. PN 964 575/576  
TAB HEADER (FOR EXAMPLE: X-1971921/922-Y)
- △1 KEYING RIBS; CUTTING WITH TERMINATION MACHINE POSSIBLE

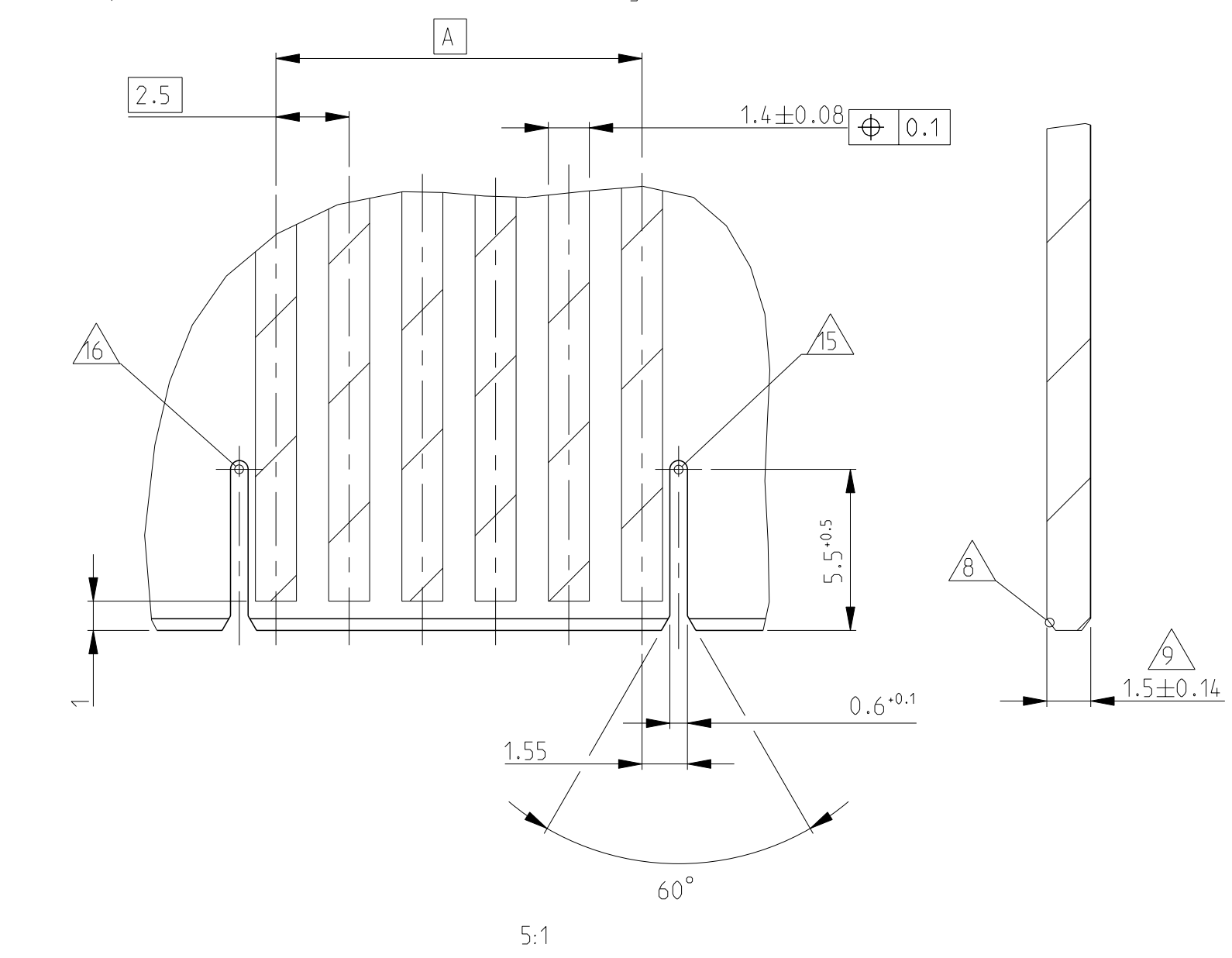
LOC	DIST	REVISIONS				
A1	-	REV	DESCRIPTION	DATE	OWN	APVD
		D51	ECR-20-100617	05NOV2020	W W	FL
		D52	ECR-20-101062	17DEC2020	P J	FL
		D53	ECR-21-100373	01FEB2021	S M	FL



PCB LAYOUT KEYED / CONNECTED ONLY WITH ADDITIONAL FRAME (THICK KEYING)  
Leiterplattenanschluss kodiert / nur in Verbindung mit zusätzlichem Rahmen



PCB LAYOUT KEYED / CONNECTED ONLY WITH ADDITIONAL FRAME (SLIM KEYING)  
Leiterplattenanschluss kodiert / nur in Verbindung mit zusätzlichem Rahmen

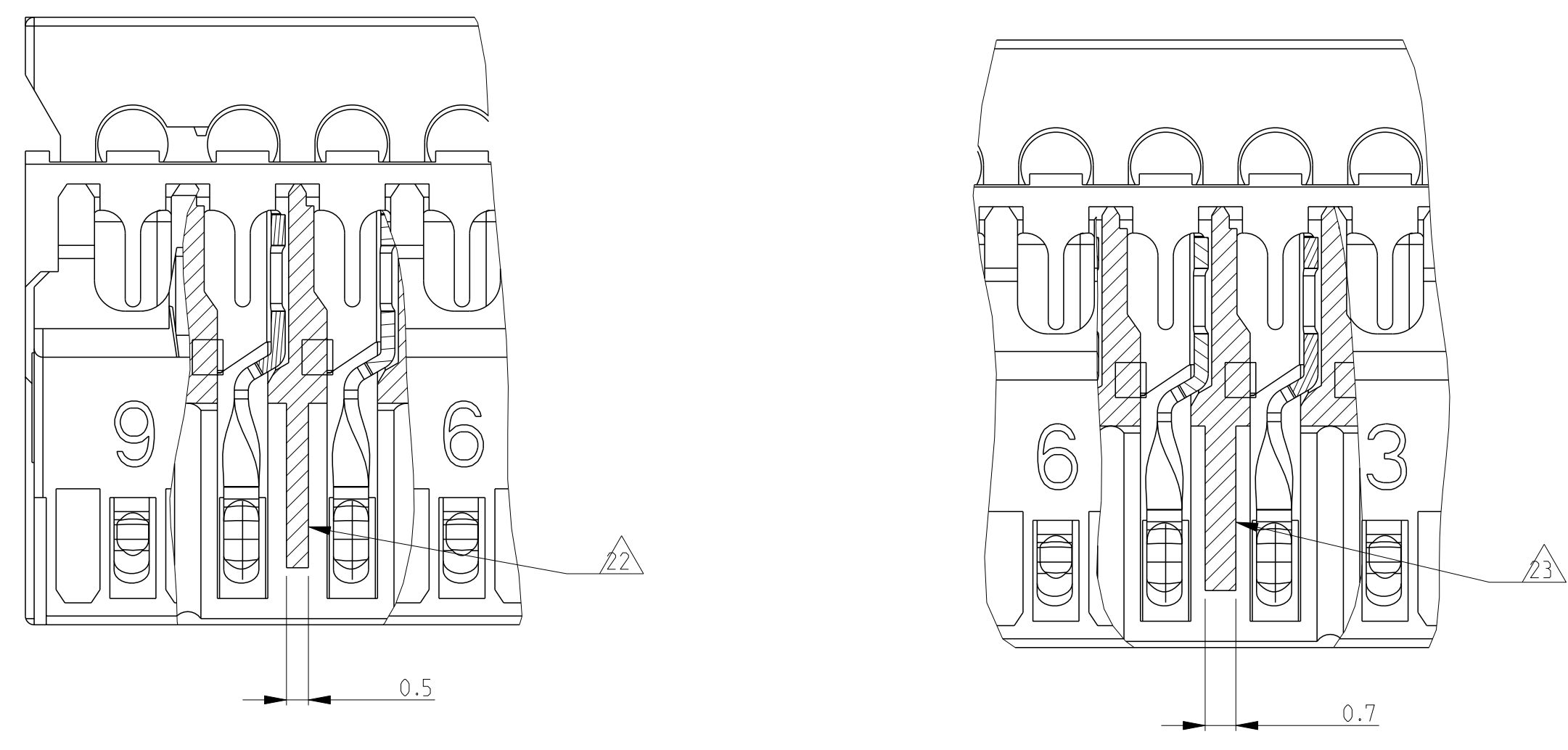


OTHER NOTE SEE SHEET 3 OF 3.

THIS DRAWING IS A CONTROLLED DOCUMENT.		OWN: H. Karabiyik 24MAY2002	 TE Connectivity
DIMENSIONS: mm		CHK: B. Schnaubelt 24MAY2002	
TOLERANCES UNLESS OTHERWISE SPECIFIED:		APVD: T. Klenner 24MAY2002	NAME: AMP DUOPLUG 2.5 MARK II FEMALE CONNECTOR 3-20 POSITION SELECTIVE LOADED
0 PLC ±0.2	1 PLC ±0.2	PRODUCT SPEC	SIZE: 114-18467
2 PLC ±0.2	3 PLC ±0.2	APPLICATION SPEC	SCALE: 10:1
4 PLC ±	ANGLES ±	FINISH ±	SHEET 1 OF 3
MATERIAL: -	FINISH: -	WEIGHT: -	RESTRICTED TO: -
Customer Drawing		00779	REM: D53



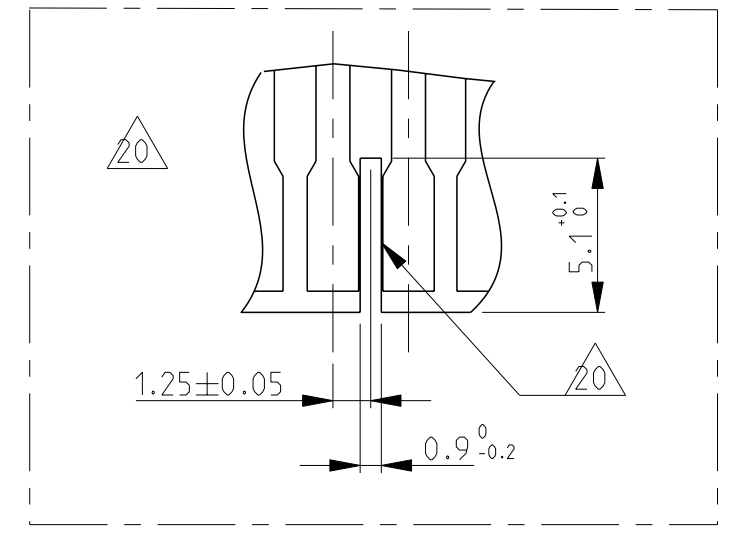
LOC		DIST		REVISIONS			
P	LYR	DESCRIPTION	DATE	OWN	APVD		
-		SEE SHEET 1	-	-	-		



KEYING 22

KEYING 23

- 23 KEYING. SPECIAL THICK. BETWEEN POSITION
- 22 KEYING. SPECIAL THIN. BETWEEN POSITION
- 21 SLOT FOR KEYING SPECIAL. BETWEEN POSITION
- 20 RECOMMENDED PCB CUTOFF DIMENSION FOR THE PN X-2304527-Y AND X-2304528-Y



GWEPT 750°C NO FLAME & UL94-V0, SILVER PLATED VERSION																												
Blue															X	0	X	3	5	9.9							5-2369989-3	4-2369989-3
Color Code	20	19	18	17	16	15	14	13	12	11	10	9	8	7	6	5	4	3	2	1	POS. Polzahl	DIM A	DIM B	22	23	24	25	PN Bestell-Nr.
KAMMERBESTUECKUNG (CAVITIES LOADED)															3													

2	SEE TABLE	CONTACT/Kontakt	CuSn	SILVERED
1	siehe Tabelle	HOUSING/Federleistengeh.	HIGH TEMP PLASTIC	NATUR/Natur
POS.	PN Bestell-Nr.	DESCRIPTION Beschreibung	MATERIAL	COLOUR/FINISH Farbe/Oberflaeche

GWEPT 750°C NO FLAME & UL94-V0, TIN PLATED VERSION																																								
Blue															X	0	X	0	X	0	X	0	X	0	X	0	X	13	30	34.9								1-2304528-3	2304528-3	
															X	X	X	0	X	X	0	X	X	0	X	X	0	X											3-2304528-1	2-2304528-1
Orange															X	0	X	0	X	0	X	0	X	0	X	0	X	11	25	29.9								1-2304528-1	2304528-1	
Green															X	0	X	0	X	0	X	0	X	0	X	0	X											2-2304528-0	1-2304528-0	
															X	X	X	0	X	0	X	0	X	0	X	0	X	10	22.5	27.4								4-2304527-9	3-2304527-9	
GREEN															X	0	X	0	X	0	X	0	X	0	X	0	X											2-2304527-9	1-2304527-9	
															X	0	X	0	X	0	X	0	X	0	X	0	X	9	20	24.9								1-2304527-9	2304527-9	
Black															X	X	0	X	0	X	0	X	0	X	0	X											2-2304527-7	1-2304527-7		
Blue															X	X	X	X	X	X	0	X	0	X	0	X											4-2304527-7	3-2304527-7		
															X	X	X	0	X	X	0	X	X	0	X	X	7	15	19.9								2-2304527-7	1-2304527-7		
Black															X	0	X	0	X	0	X	0	X	0	X	0	X											1-2304527-7	2304527-7	
Green															X	0	X	0	X	0	X	0	X	0	X	0	X											7-2304527-6	6-2304527-6	
Blue															X	0	X	X	0	X	X	0	X	X	0	X											5-2304527-6	4-2304527-6		
Red															X	0	X	0	X	0	X	0	X	0	X	0	X											3-2304527-6	2-2304527-6	
Red															X	0	X	X	0	X	X	0	X	X	0	X											1-2304527-6	2304527-6		
Red															X	X	X	0	X	0	X	0	X	0	X	0	X											4-2304527-5	3-2304527-5	
Red															X	0	0	0	X	0	0	0	X	0	0	0	X	5	10	14.9	3/4							2-2304527-5	1-2304527-5	
Green															X	0	X	0	X	0	X	0	X	0	X	0	X											2304527-5		
Black															X	X	0	0										4	7.5	12.4								2304527-4		
Red															X	0	X														2/3							8-2304527-3	7-2304527-3	
Red															X	0	X														1/2							7-2304527-3	6-2304527-3	
Blue															X	0	X														2/3							6-2304527-3	5-2304527-3	
Black															X	0	X											3	5	9.9								4-2304527-3	3-2304527-3	
Black															X	0	X																					3-2304527-3	2-2304527-3	
Red															X	0	X														1/2							2-2304527-3	1-2304527-3	
Brown															X	0	X																					1-2304527-3	2304527-3	
Orange															X	0	X																							
Color Code	20	19	18	17	16	15	14	13	12	11	10	9	8	7	6	5	4	3	2	1	POS. Polzahl	DIM A	DIM B	22	23	24	25	PN Bestell-Nr.												
KAMMERBESTUECKUNG (CAVITIES LOADED)															3																									

2	SEE TABLE	CONTACT/Kontakt	CuSn	TINNED/verzinkt
1	siehe Tabelle	HOUSING/Federleistengeh.	HIGH TEMP PLASTIC	NATUR/Natur
POS.	PN Bestell-Nr.	DESCRIPTION Beschreibung	MATERIAL	COLOUR/FINISH Farbe/Oberflaeche

THIS DRAWING IS A CONTROLLED DOCUMENT. OWN: H. Karabiyik, 24MAY2002. CHK: B. Schnaubelt, 24MAY2002. APVD: T. Klenner, 24MAY2002.

**STE** TE Connectivity

NAME: AMP DUOPLUG 2.5 MARK II FEMALE CONNECTOR 3-20 POSITION SELECTIVE LOADED

SIZE: 116-18467. CAGE CODE: 00779. DRAWING NO: 1534798. SCALE: 10:1. SHEET 3 OF 3.

Customer Drawing

## X-ON Electronics

Largest Supplier of Electrical and Electronic Components

*Click to view similar products for [Headers & Wire Housings](#) category:*

*Click to view products by [TE Connectivity](#) manufacturer:*

Other Similar products are found below :

[892-18-020-10-001101](#) [58102-G61-06LF](#) [582553-1](#) [0009485154](#) [009176003701906](#) [0050291907](#) [LY20-4P-DT1-P1E-BR](#) [02.125.8002.8](#)  
[609-3404](#) [61062-3](#) [61082-181009](#) [622-3653LF](#) [63453-116](#) [636-1030](#) [636-1427](#) [636-3427](#) [636-4007](#) [641938-9](#) [641991-4](#) [644827-2](#) [65817-010LF](#) [65817-015LF](#) [65863-015LF](#) [66207-023LF](#) [67095-007LF](#) [67601157](#) [68645-018](#) [68648-049](#) [70.362.1628.0](#) [70-4210](#) [70-4226B](#) [70-4853B](#) [707-5020](#) [707-5028](#) [71.350.2428.0](#) [71918-208LF](#) [71961-016LF](#) [733-134](#) [733-162](#) [754199-000](#) [760-3052](#) [787-8014-00](#) [79531-3000](#)  
[FCN-360C032-B](#) [FCN-367T-T012/H](#) [FCN-723D010/2](#) [80.063.4001.1](#) [800-90-001-10-001000](#) [800-90-010-10-002000](#) [801-43-002-10-013000](#)