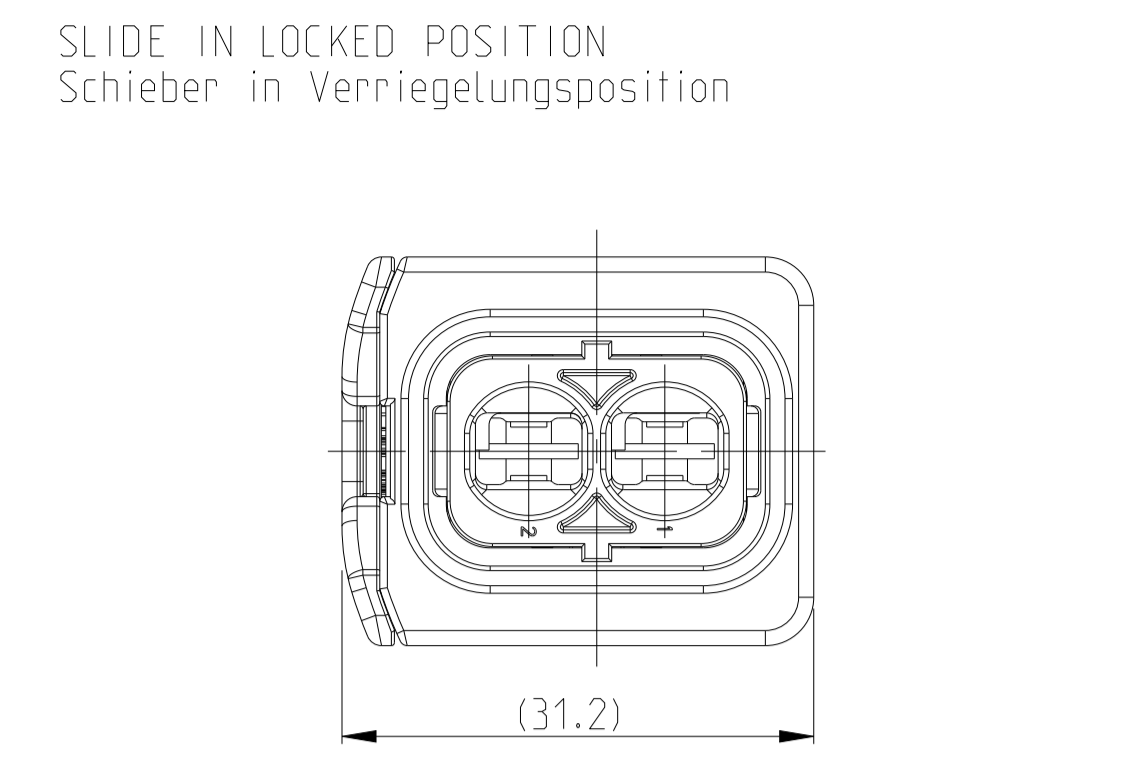


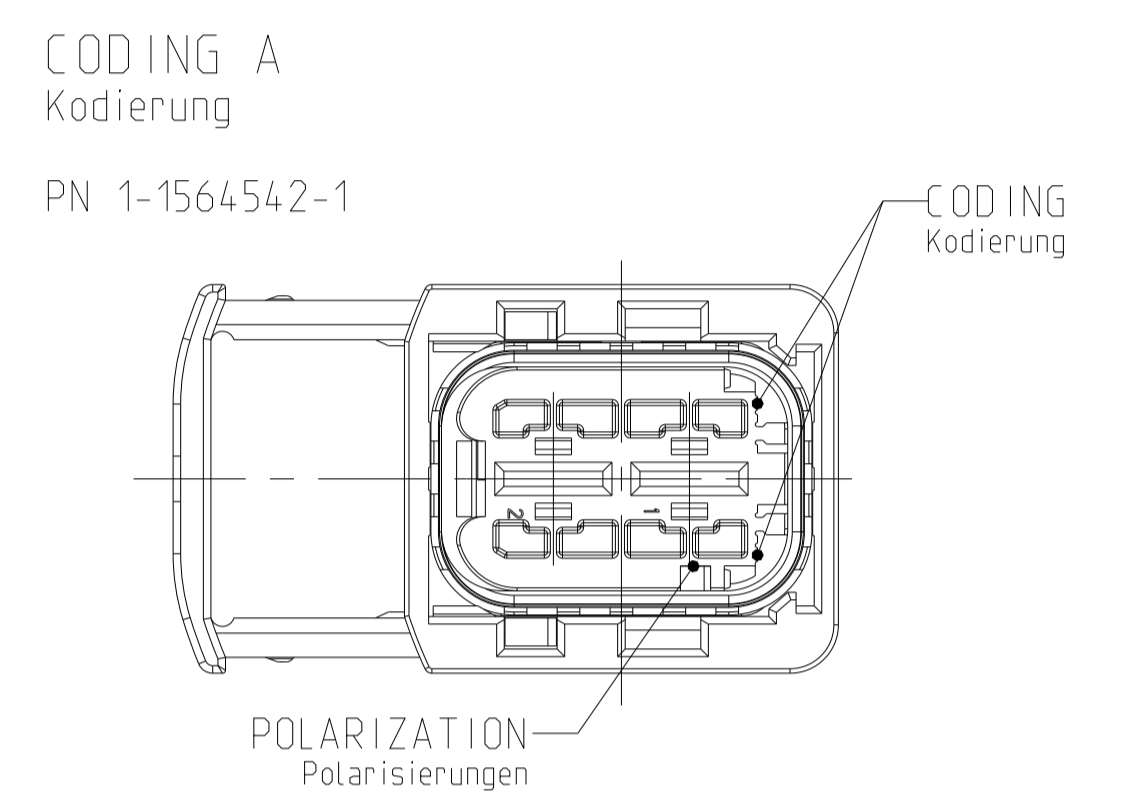
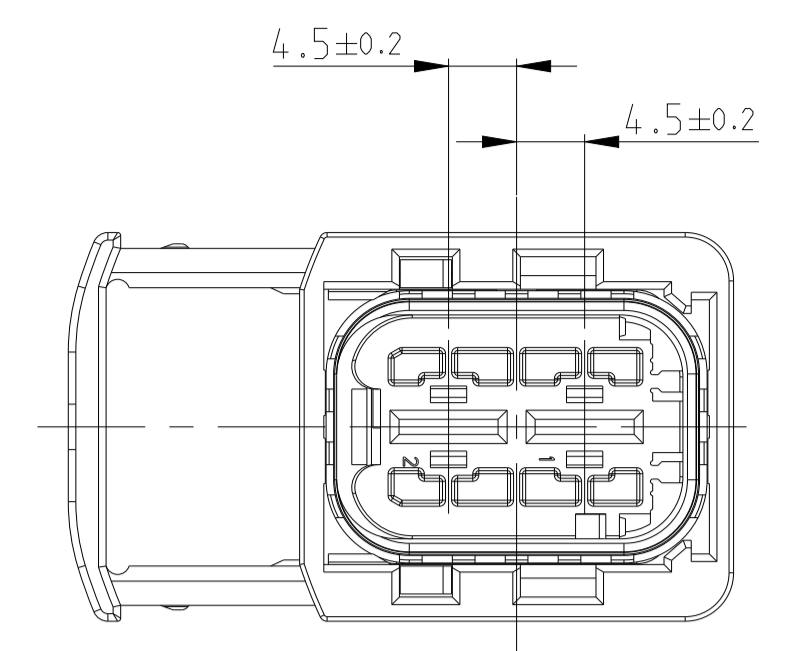
1-1564542-1 AS SHOWN
1-1564542-1 wie gezeigt

REV.	DATE	BY	CHK	DESCRIPTION
J	24MAY2012	MN	SKR	DETAILS SEE PCN E-12-007625
J1	15MAY2015	SK	Kraus	ECR-15-007756
J2	24AUG2021	DRK	AW	ECR-21-111166

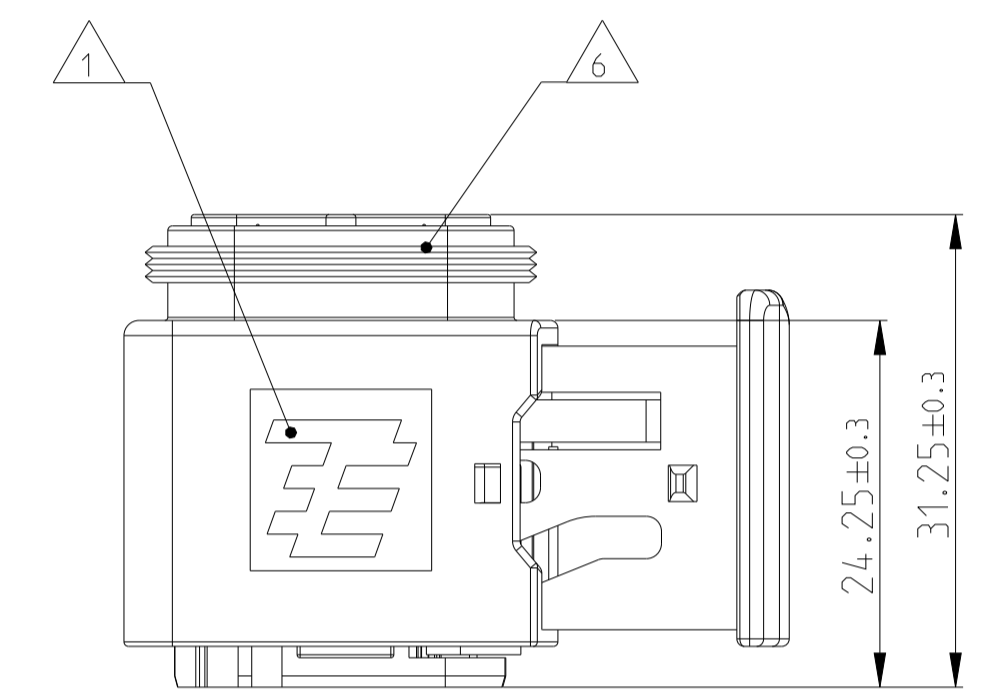
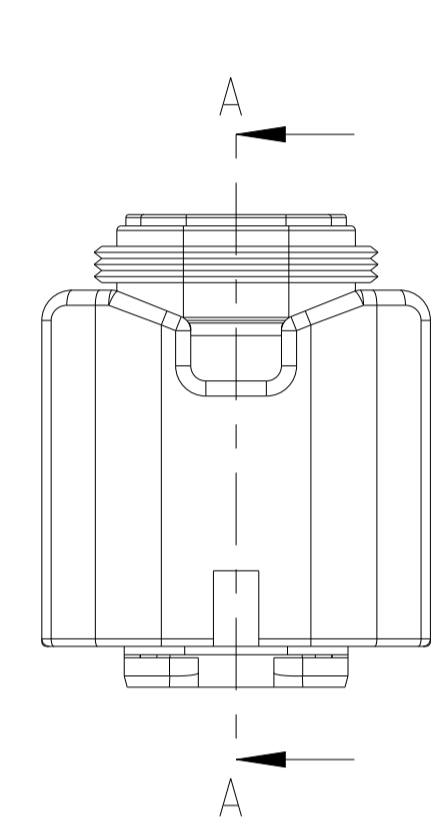
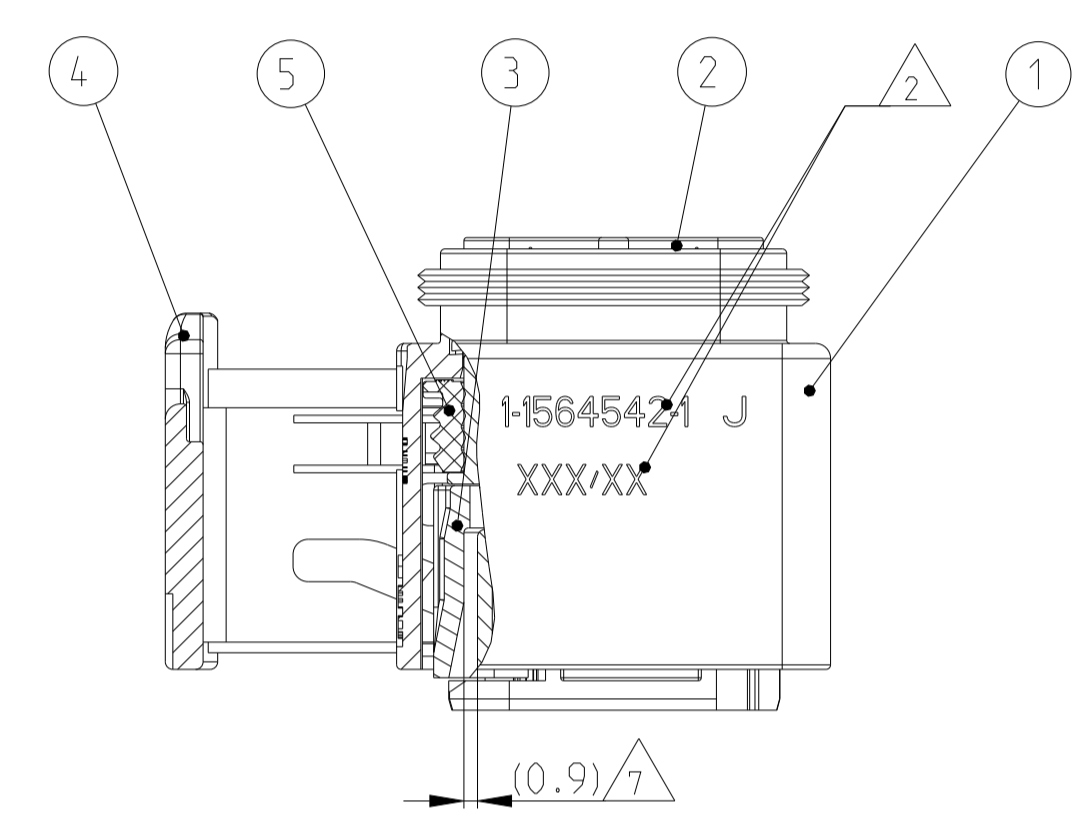


DELIVERY CONDITION:
Lieferzustand:

SECONDARY LOCKING AND SLIDE
IN PRE-LOCKED POSITION
2. Kontaktsicherung und Schieber
in Vorraststellung

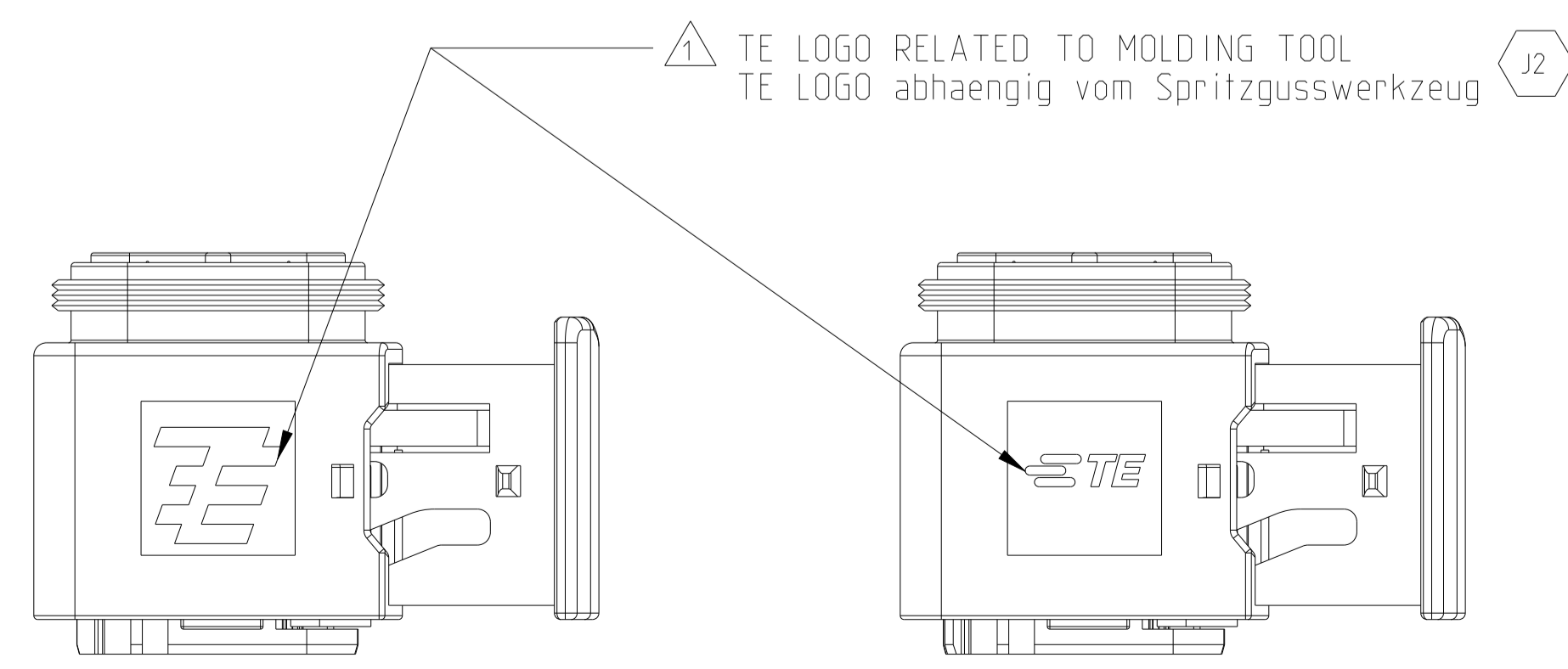
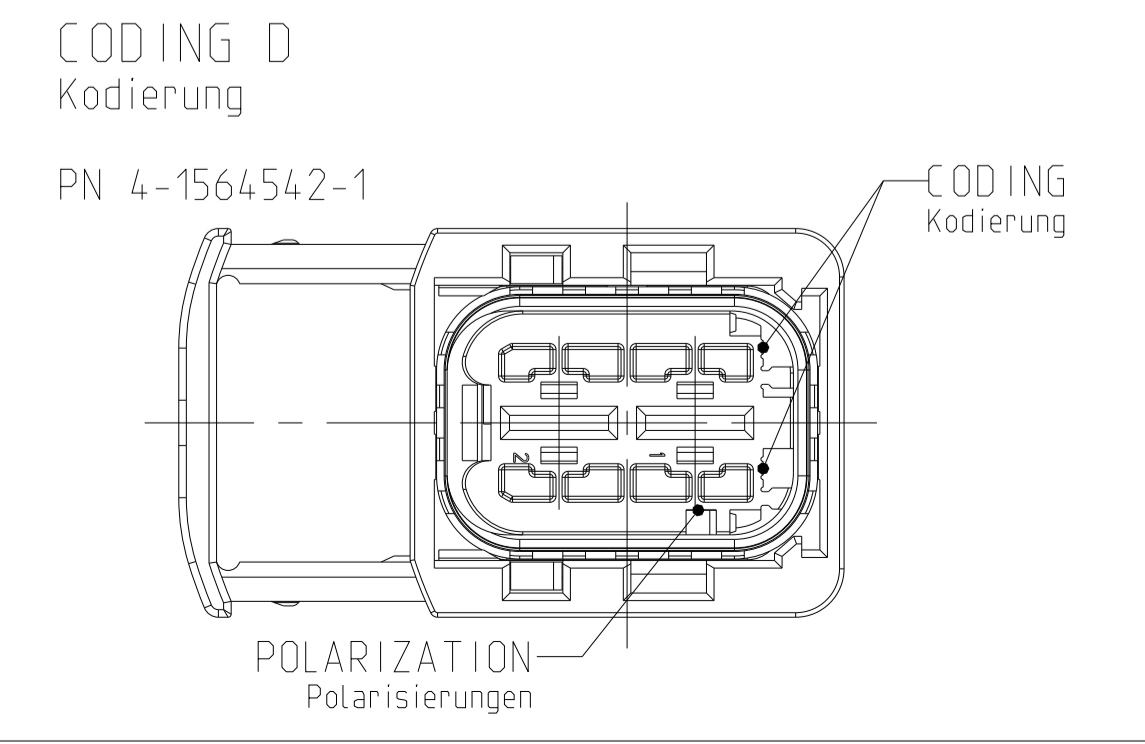
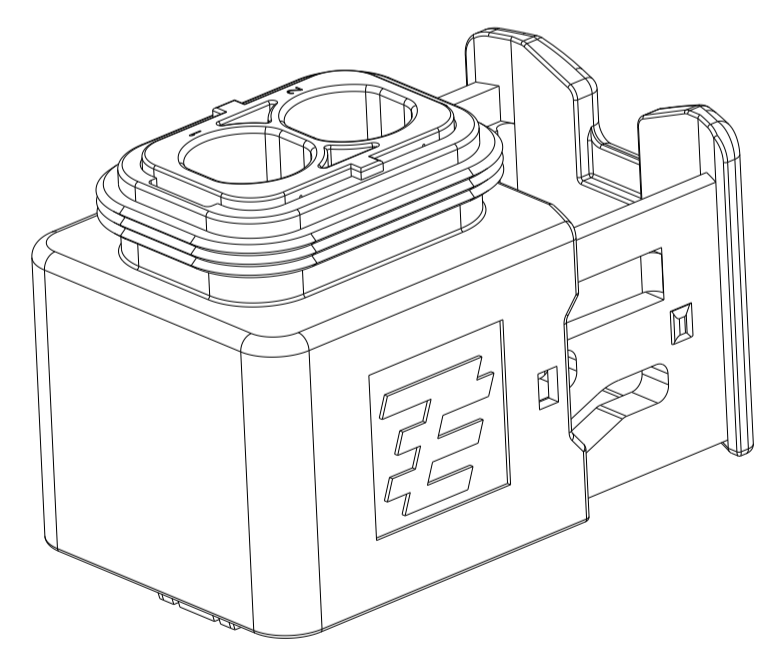
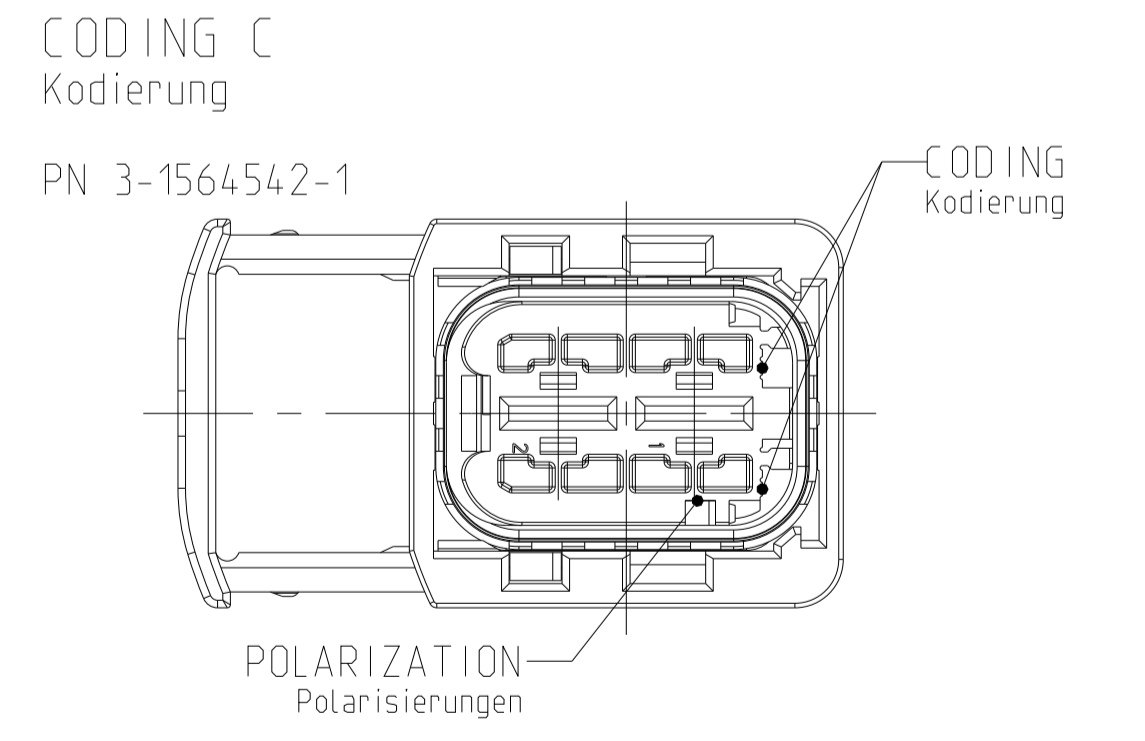
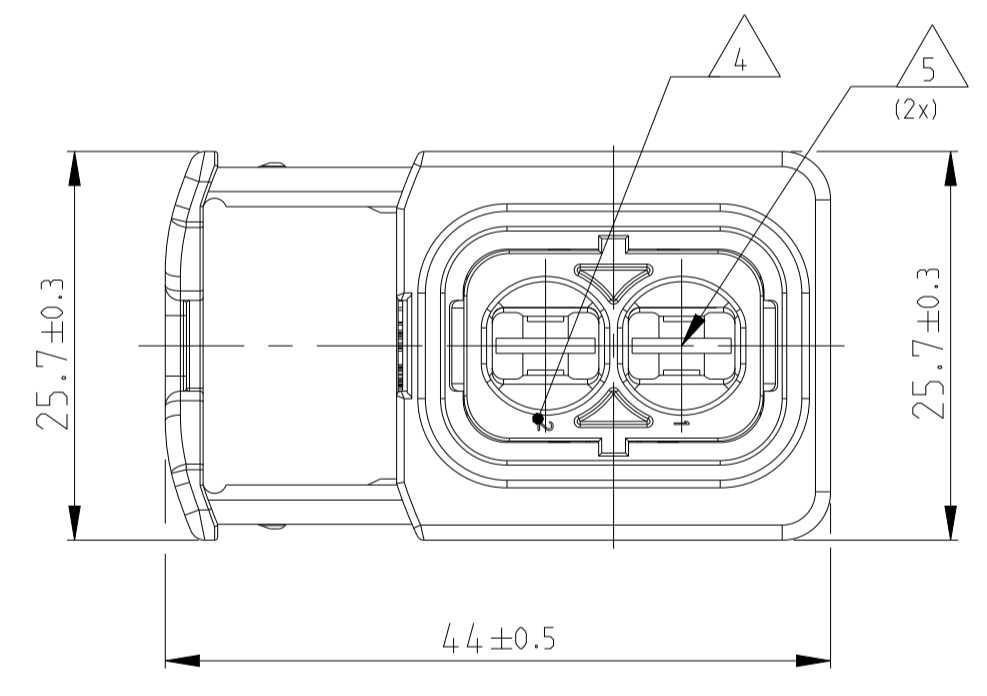
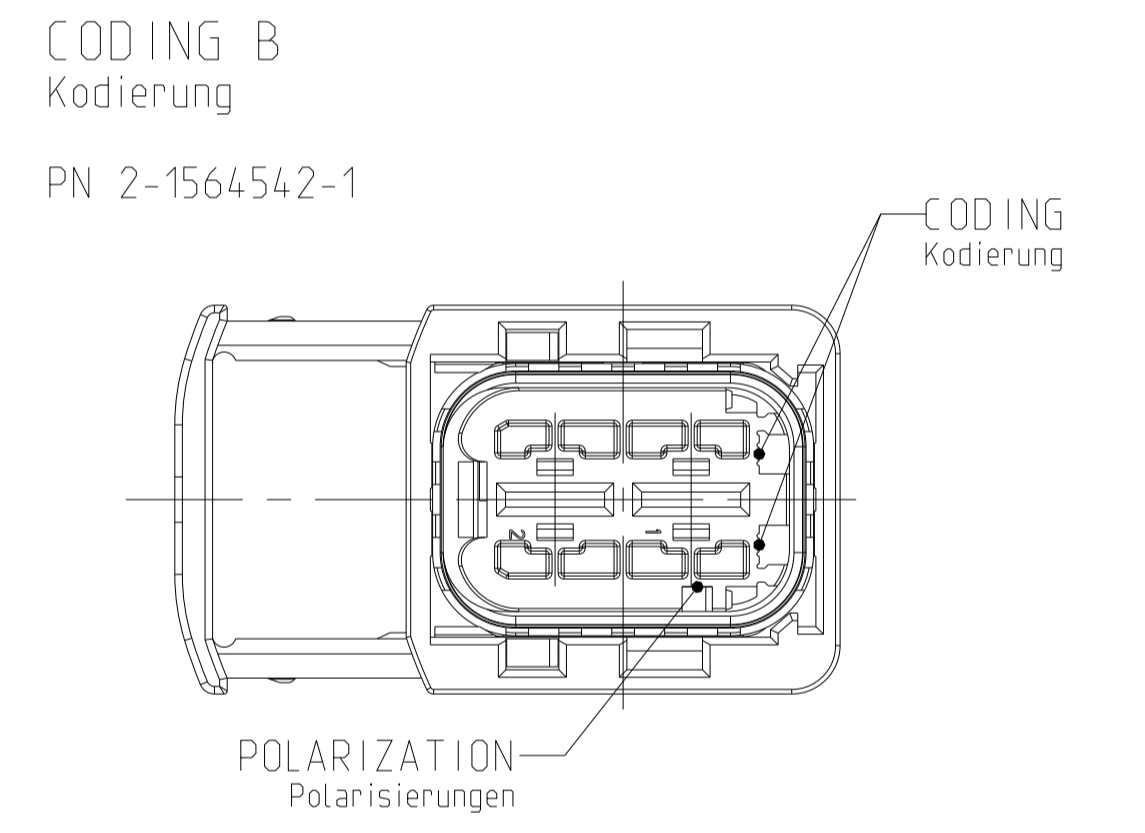


SECTION A-A
Schnitt



- NOTES
Bemerkungen
- TE LOGO
TE Logo
 - ASSY PN, PRODUCTION DATE (CALENDAR DAY/YEAR):
MARKING OPTIONAL AS LASER ENGRAVING OR
LASER WITH COLOR CHANGE
Assy PN, Produktionsdatum (Kalendertag/Jahr):
Beschriftung wahlweise als Lasergravur oder Laser mit Farbumschlag
 - BULK PACKAGING IN CORRUGATED BOX
Schuetzfolie im Versandkarton
 - CAVITY NUMBERING
Kammer Bezeichnung
 - CAVITIES MATED WITH AMP MCP 6.3/4.8K
SEE PRODUCT GROUP DRAWING
TE NO: 1241438
MAX. WIRE SIZE: 6.0mm² FLR

Kontaktkammern passend fuer AMP MCP 6.3/4.8K
siehe Produktgruppenzeichnung
TE Nr.: 1241438
max. Drahtgrossenbereich: 6.0mm² FLR
 - SUITABLE COVERS PN 1670057, 1670364
Passende Kappen PN 1670057, 1670364
 - SLIDING DISTANCE OF SECONDARY LOCKING
Verschiebeweg der 2. Kontaktsicherung
 - FITS TO TYCO INTERFACE DRAWING 114-18740-1
Passend zur Ausfuehrungsvorschrift 114-18740-1
 - SUITABLE COUNTERPART TE-NO. 1564544, 1564546
passendes Gegenstueck TE-Nr. 1564544, 1564546
 - MALFUNCTION CAUSED BY LACQUER IS NOT
COVERED BY TYCO ELECTRONICS WARRANTY.
Funktionsbeeintraechtigung durch Lackieren liegt nicht im
Einfluss und Gewaehrleistungsumfang von Tyco Electronics.



ITEM NO	DESCRIPTION	RECEPTACLE HOUSING	BLACK	GREEN	BLUE	YELLOW	WHITE	SEAL
1	RECEPTACLE HOUSING	BUCHSENGEHAUSE	schwarz	gruen	blau	gelb	weiss	Dichtung
2	2POS. CAVITY BLOCK, CODE, "A"	2POS. KAVITAETBLOCK, Kodierung, "A"	schwarz	gruen	blau	gelb	weiss	
2	2POS. CAVITY BLOCK, CODE, "B"	2POS. KAVITAETBLOCK, Kodierung, "B"	schwarz	gruen	blau	gelb	weiss	
2	2POS. CAVITY BLOCK, CODE, "C"	2POS. KAVITAETBLOCK, Kodierung, "C"	schwarz	gruen	blau	gelb	weiss	
2	2POS. CAVITY BLOCK, CODE, "D"	2POS. KAVITAETBLOCK, Kodierung, "D"	schwarz	gruen	blau	gelb	weiss	
3	2POS. CAVITY BLOCK, CODE, "D"	2POS. KAVITAETBLOCK, Kodierung, "D"	schwarz	gruen	blau	gelb	weiss	
4	U-SLIDE	U-Schieber	schwarz	gruen	blau	gelb	weiss	
5	SEAL	Dichtung	schwarz	gruen	blau	gelb	weiss	

TE ORDER-NO.	REV.	NO. OF POS.	CODE	QUANTITY	ITEM NO	DESCRIPTION
4-1564542-1	J	2	D	1	4	THIS DRAWING IS A CONTROLLED DOCUMENT.
3-1564542-1	J	2	C	1	3	OTHERWISE SPECIFIED:
2-1564542-1	J	2	B	1	2	FINISHES UNLESS:
1-1564542-1	J	2	A	1	1	FINISHES UNLESS:

TE ORDER-NO.	REV.	NO. OF POS.	CODE	QUANTITY	ITEM NO	DESCRIPTION
4-1564542-1	J	2	D	1	4	THIS DRAWING IS A CONTROLLED DOCUMENT.
3-1564542-1	J	2	C	1	3	OTHERWISE SPECIFIED:
2-1564542-1	J	2	B	1	2	FINISHES UNLESS:
1-1564542-1	J	2	A	1	1	FINISHES UNLESS:

TE ORDER-NO.	REV.	NO. OF POS.	CODE	QUANTITY	ITEM NO	DESCRIPTION
4-1564542-1	J	2	D	1	4	THIS DRAWING IS A CONTROLLED DOCUMENT.
3-1564542-1	J	2	C	1	3	OTHERWISE SPECIFIED:
2-1564542-1	J	2	B	1	2	FINISHES UNLESS:
1-1564542-1	J	2	A	1	1	FINISHES UNLESS:

TE ORDER-NO.	REV.	NO. OF POS.	CODE	QUANTITY	ITEM NO	DESCRIPTION
4-1564542-1	J	2	D	1	4	THIS DRAWING IS A CONTROLLED DOCUMENT.
3-1564542-1	J	2	C	1	3	OTHERWISE SPECIFIED:
2-1564542-1	J	2	B	1	2	FINISHES UNLESS:
1-1564542-1	J	2	A	1	1	FINISHES UNLESS:

TE ORDER-NO.	REV.	NO. OF POS.	CODE	QUANTITY	ITEM NO	DESCRIPTION
4-1564542-1	J	2	D	1	4	THIS DRAWING IS A CONTROLLED DOCUMENT.
3-1564542-1	J	2	C	1	3	OTHERWISE SPECIFIED:
2-1564542-1	J	2	B	1	2	FINISHES UNLESS:
1-1564542-1	J	2	A	1	1	FINISHES UNLESS:

TE ORDER-NO.	REV.	NO. OF POS.	CODE	QUANTITY	ITEM NO	DESCRIPTION
4-1564542-1	J	2	D	1	4	THIS DRAWING IS A CONTROLLED DOCUMENT.
3-1564542-1	J	2	C	1	3	OTHERWISE SPECIFIED:
2-1564542-1	J	2	B	1	2	FINISHES UNLESS:
1-1564542-1	J	2	A	1	1	FINISHES UNLESS:

TE ORDER-NO.	REV.	NO. OF POS.	CODE	QUANTITY	ITEM NO	DESCRIPTION
4-1564542-1	J	2	D	1	4	THIS DRAWING IS A CONTROLLED DOCUMENT.
3-1564542-1	J	2	C	1	3	OTHERWISE SPECIFIED:
2-1564542-1	J	2	B	1	2	FINISHES UNLESS:
1-1564542-1	J	2	A	1	1	FINISHES UNLESS:

TE ORDER-NO.	REV.	NO. OF POS.	CODE	QUANTITY	ITEM NO	DESCRIPTION
4-1564542-1	J	2	D	1	4	THIS DRAWING IS A CONTROLLED DOCUMENT.
3-1564542-1	J	2	C	1	3	OTHERWISE SPECIFIED:
2-1564542-1	J	2	B	1	2	FINISHES UNLESS:
1-1564542-1	J	2	A	1	1	FINISHES UNLESS:

TE ORDER-NO.	REV.	NO. OF POS.	CODE	QUANTITY	ITEM NO	DESCRIPTION
4-1564542-1	J	2	D	1	4	THIS DRAWING IS A CONTROLLED DOCUMENT.
3-1564542-1	J	2	C	1	3	OTHERWISE SPECIFIED:
2-1564542-1	J	2	B	1	2	FINISHES UNLESS:
1-1564542-1	J	2	A	1	1	FINISHES UNLESS:

TE ORDER-NO.	REV.	NO. OF POS.	CODE	QUANTITY	ITEM NO	DESCRIPTION
4-1564542-1	J	2	D	1	4	THIS DRAWING IS A CONTROLLED DOCUMENT.
3-1564542-1	J	2	C	1	3	OTHERWISE SPECIFIED:
2-1564542-1	J	2	B	1	2	FINISHES UNLESS:
1-1564542-1	J	2	A	1	1	FINISHES UNLESS:

TE ORDER-NO.	REV.	NO. OF POS.	CODE	QUANTITY	ITEM NO	DESCRIPTION
4-1564542-1	J	2	D	1	4	THIS DRAWING IS A CONTROLLED DOCUMENT.
3-1564542-1	J	2	C	1	3	OTHERWISE SPECIFIED:
2-1564542-1	J	2	B	1	2	FINISHES UNLESS:
1-1564542-1	J	2	A	1	1	FINISHES UNLESS:

TE ORDER-NO.	REV.	NO. OF POS.	CODE	QUANTITY	ITEM NO	DESCRIPTION
4-1564542-1	J	2	D	1	4	THIS DRAWING IS A CONTROLLED DOCUMENT.
3-1564542-1	J	2	C	1	3	OTHERWISE SPECIFIED:
2-1564542-1	J	2	B	1	2	FINISHES UNLESS:
1-1564542-1	J	2	A	1	1	FINISHES UNLESS:

TE ORDER-NO.	REV.	NO. OF POS.	CODE	QUANTITY	ITEM NO	DESCRIPTION
4-1564542-1	J	2	D	1	4	THIS DRAWING IS A CONTROLLED DOCUMENT.
3-1564542-1	J	2	C	1	3	OTHERWISE SPECIFIED:
2-1564542-1	J	2	B	1	2	FINISHES UNLESS:
1-1564542-1	J	2	A	1	1	FINISHES UNLESS:

TE ORDER-NO.	REV.	NO. OF POS.	CODE	QUANTITY	ITEM NO	DESCRIPTION
4-1564542-1	J	2	D	1	4	THIS DRAWING IS A CONTROLLED DOCUMENT.
3-1564542-1	J	2	C	1	3	OTHERWISE SPECIFIED:
2-1564542-1	J	2	B	1	2	FINISHES UNLESS:
1-1564542-1	J	2	A	1	1	FINISHES UNLESS:

TE ORDER-NO.	REV.	NO. OF POS.	CODE	QUANTITY	ITEM NO	DESCRIPTION
4-1564542-1	J	2	D	1	4	THIS DRAWING IS A CONTROLLED DOCUMENT.
3-1564542-1	J	2	C	1	3	OTHERWISE SPECIFIED:
2-1564542-1	J	2	B	1	2	FINISHES UNLESS:
1-1564542-1	J	2	A	1	1	FINISHES UNLESS:

TE ORDER-NO.	REV.	NO. OF POS.	CODE	QUANTITY	ITEM NO	DESCRIPTION
4-1564542-1	J	2	D	1	4	THIS DRAWING IS A CONTROLLED DOCUMENT.
3-1564542-1	J	2	C	1	3	OTHERWISE SPECIFIED:
2-1564542-1	J	2	B	1	2	FINISHES UNLESS:
1-1564542-1	J	2	A	1	1	FINISHES UNLESS:

TE ORDER-NO.	REV.	NO. OF POS.	CODE	QUANTITY	ITEM NO	DESCRIPTION
4-1564542-1	J	2	D	1	4	THIS DRAWING IS A CONTROLLED DOCUMENT.
3-1564542-1	J	2	C	1	3	OTHERWISE SPECIFIED:
2-1564542-1	J	2	B	1	2	FINISHES UNLESS:
1-1564542-1	J	2	A	1	1	FINISHES UNLESS:

TE ORDER-NO.	REV.	NO. OF POS.	CODE	QUANTITY	ITEM NO	DESCRIPTION
4-1564542-1	J	2	D	1	4	THIS DRAWING IS A CONTROLLED DOCUMENT.
3-1564542-1	J	2	C	1	3	OTHERWISE SPECIFIED:
2-1564542-1	J	2	B	1	2	FINISHES UNLESS:
1-1564542-1	J	2	A	1	1	FINISHES UNLESS:

TE ORDER-NO.	REV.	NO. OF POS.	CODE	QUANTITY	ITEM NO	DESCRIPTION
4-1564542-1	J	2	D	1	4	THIS DRAWING IS A CONTROLLED DOCUMENT.
3-1564542-1	J	2	C	1	3	OTHERWISE SPECIFIED:
2-1564542-1	J	2	B	1	2	FINISHES UNLESS:
1-1564542-1	J	2	A	1	1	FINISHES UNLESS:

TE ORDER-NO.	REV.	NO. OF POS.	CODE	QUANTITY	ITEM NO	DESCRIPTION
4-1564542-1	J	2	D	1	4	THIS DRAWING IS A CONTROLLED DOCUMENT.
3-1564542-1	J	2	C	1	3	OTHERWISE SPECIFIED:
2-1564542-1	J	2	B	1	2	FINISHES UNLESS:
1-1564542-1	J	2	A	1	1	FINISHES UNLESS:

TE ORDER-NO.	REV.	NO. OF POS.	CODE	QUANTITY	ITEM NO	DESCRIPTION
4-1564542-1	J	2	D	1	4	THIS DRAWING IS A CONTROLLED DOCUMENT.
3-1564542-1	J	2	C	1	3	OTHERWISE SPECIFIED:
2-1564542-1	J	2	B	1	2	FINISHES UNLESS:
1-1564542-1	J	2	A	1	1	FINISHES UNLESS:

TE ORDER-NO.	REV.	NO. OF POS.	CODE	QUANTITY	ITEM NO	DESCRIPTION
4-1564542-1	J	2	D	1	4	THIS DRAWING IS A CONTROLLED DOCUMENT.
3-1564542-1	J	2	C	1	3	OTHERWISE SPECIFIED:
2-1564542-1	J	2	B	1	2	FINISHES UNLESS:
1-1564542-1	J	2	A	1	1	FINISHES UNLESS:

TE ORDER-NO.	REV.	NO. OF POS.	CODE	QUANTITY	ITEM NO	DESCRIPTION
4-1564542-1	J	2	D	1	4	THIS DRAWING IS A CONTROLLED DOCUMENT.
3-1564542-1	J	2	C	1	3	OTHERWISE SPECIFIED:
2-1564542-1	J	2	B	1	2	FINISHES UNLESS:
1-1564542-1	J	2	A	1	1	FINISHES UNLESS:

TE ORDER-NO.	REV.	NO. OF POS.	CODE	QUANTITY	ITEM NO	DESCRIPTION
4-1564542-1	J	2	D	1	4	THIS DRAWING IS A CONTROLLED DOCUMENT.
3-1564542-1	J	2	C	1	3	OTHERWISE SPECIFIED:
2-1564542-1	J	2	B	1	2	FINISHES UNLESS:
1-1564542-1	J	2	A	1	1	FINISHES UNLESS:

TE ORDER-NO.	REV.	NO. OF POS.	CODE	QUANTITY	ITEM NO	DESCRIPTION
4-1564542-1	J	2	D	1	4	THIS DRAWING IS A CONTROLLED DOCUMENT.
3-1564542-1	J	2	C	1	3	OTHERWISE SPECIFIED:
2-1564542-1	J	2	B	1	2	FINISHES UNLESS:
1-1564542-1	J	2	A	1	1	FINISHES UNLESS:

TE ORDER-NO.	REV.	NO. OF POS.	CODE	QUANTITY	ITEM NO	DESCRIPTION
4-1564542-1	J	2	D	1	4	THIS DRAWING IS A CONTROLLED DOCUMENT.
3-1564542-1	J	2	C	1	3	OTHERWISE SPECIFIED:
2-1564						

X-ON Electronics

Largest Supplier of Electrical and Electronic Components

Click to view similar products for [Automotive Connectors](#) category:

Click to view products by [TE Connectivity](#) manufacturer:

Other Similar products are found below :

[003-018-000](#) [60403001](#) [60993906-B](#) [M902-2131](#) [M902-2161](#) [M902-2344](#) [72.330.1035.1](#) [73.353.4028.0](#) [F119300-B](#) [F166900](#) [F258300-B](#)
[F358300-B](#) [F407400](#) [F444110](#) [F487000](#) [F509500B-B](#) [827153-1](#) [8N1515-32-24P](#) [9-1326729-8](#) [925474-1](#) [928905-1](#) [964562-4](#) [968782-1](#)
[GT17SA-8DS-HU](#) [98891-1012](#) [98947-1016](#) [12004147](#) [12004475-L](#) [12010290](#) [12010309-B](#) [12015454](#) [12020219-B](#) [12041318-B](#) [12052225-](#)
[L](#) [12052466](#) [12064869](#) [12004327-B](#) [12015308](#) [12015384](#) [12015909](#) [1-21030-1](#) [12041254](#) [12041318](#) [12047946-B](#) [12047957](#) [12047957-L](#)
[12059473](#) [12066261](#) [12110546](#) [12110546-B](#)