

THIS DRAWING IS UNPUBLISHED.

RELEASED FOR PUBLICATION

REVISIONS

© COPYRIGHT - TE Connectivity Ltd.

ALL RIGHTS RESERVED.

P	LTR	DESCRIPTION	DATE	DWN	APVD
	B5	REVISED PER ECR-20-006615	08MAY2020	SC	D.Z

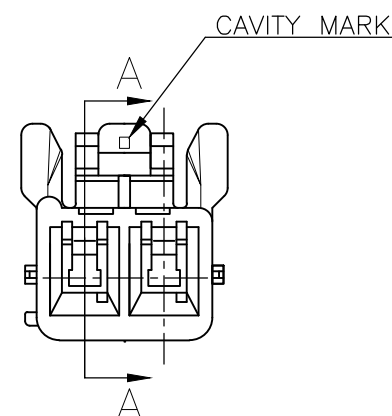
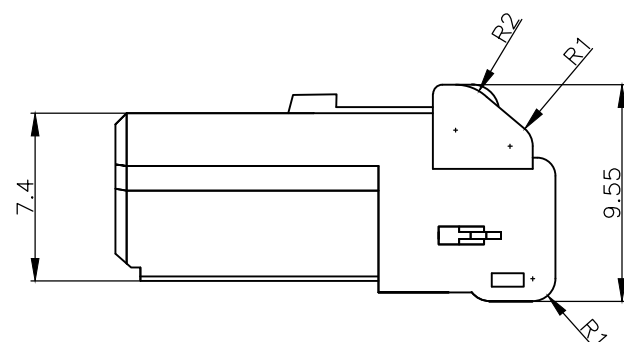
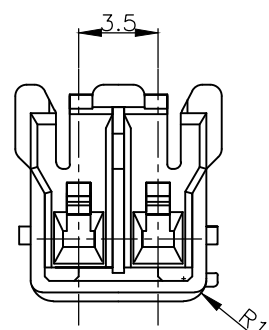
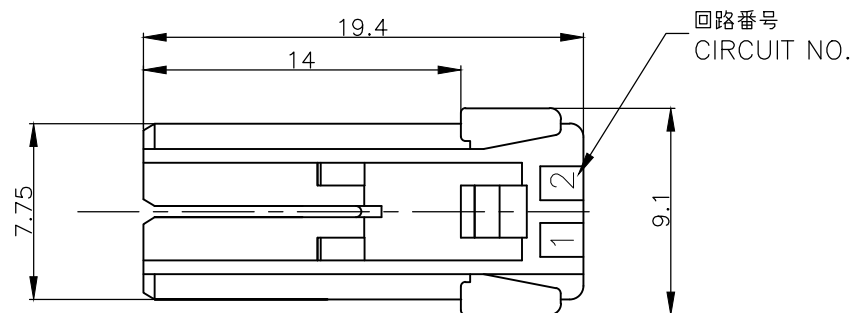
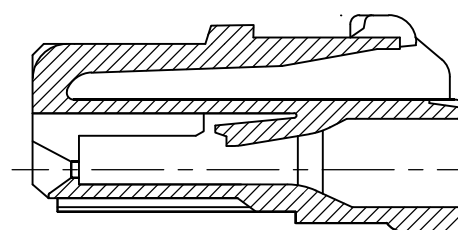
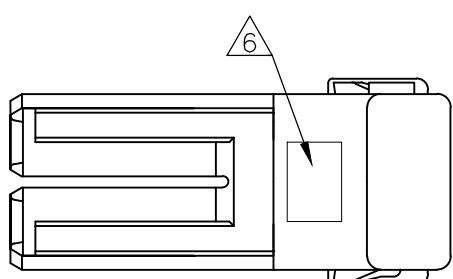
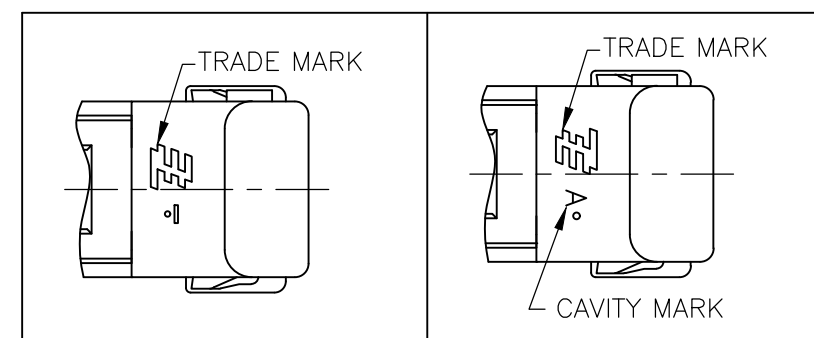


TABLE 1



注) 1.一般公差:±0.25

2.材料: 66ナイロン ガラス無(UL94V-0)

3.かん合相手製品型番

キャップハウジング: TABLE参照のこと

リセコンタクト: 1565079-1,1612334-1

4.適応プレート型番: 1565089-1

5.表1参照

6.表1参照

NOTES)

1.GENERAL TOLERANCE: ±0.25

2.MATERIAL: PA66(UL94V-0)

3.MATING CONN. P/N

CAP HOUSING: SEE TABLE

REC CONTACT: 1565079-1,1612334-1

4. APPLICABLE PLATE P/N: 1565089-1

5. SEE TABLE 1

6. MATERIAL: PA66(UL94V-0), PARTS COMPLY WITH GLOW WIRE REQUIREMENTS(GWT) PER IEC 60335-1

7. PRELIMINARY P/N

8. MATERIAL: PA66/6(UL94V-0)

THIS DRAWING IS A CONTROLLED DOCUMENT.		DWN A.OISHI 30MAY'02	TE Connectivity Ltd.		
DIMENSIONS: 単位: 耗 mm		CHK M.SHINDO 30MAY'02			
TOLERANCES UNLESS OTHERWISE SPECIFIED: 一般公差		APVD M.SHINDO 30MAY'02	PRODUCT SPEC 製品規格 108-5810	SIZE	CAGE CODE
0 PLC ±		APPLICATION SPEC 取付適用規格 114-5306	DRAWING NO 番号 C-1565081	RESTRICTED TO	
1 PLC ±		WEIGHT	A3	00779	
2 PLC ±		CUSTOMER DRAWING			
3 PLC ±		SCALE 尺度 NONE			
4 PLC ±		SHEET 1 OF 2			
ANGLES ±		REV B5			
FINISH 仕上					
MATERIAL 材料					

THIS DRAWING IS UNPUBLISHED.

RELEASED FOR PUBLICATION

© COPYRIGHT - TE Connectivity Ltd.

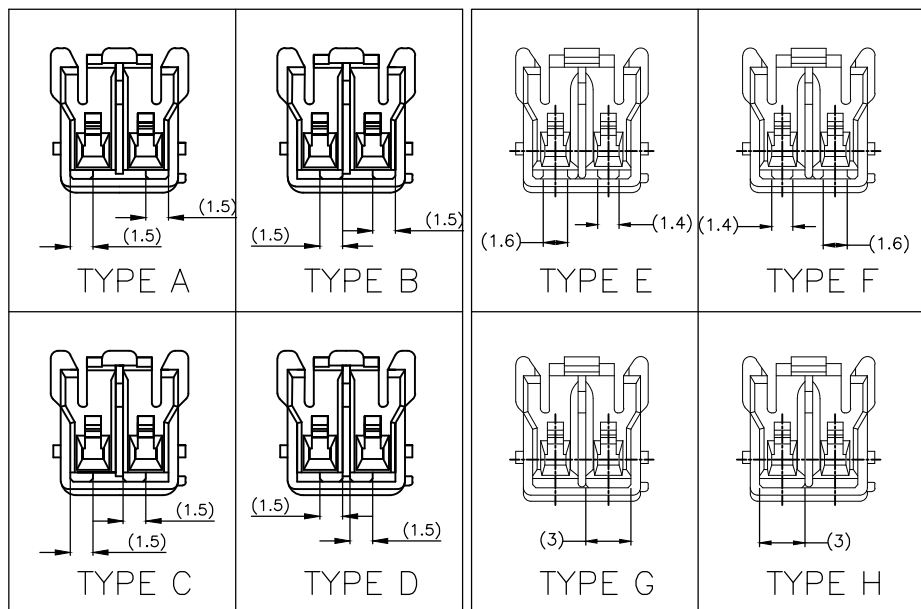
ALL RIGHTS RESERVED.

REVISIONS


変更

P	LTR	DESCRIPTION	DATE	DWN	APVD
-	-	SEE SHEET 1	-	-	-

KEYING TYPE



9	4-1565085-4	H	ORANGE	4-1565081-4
	4-1565085-3	G	VIOLET	4-1565081-3
	4-1565085-2	F	BROWN	4-1565081-2
	4-1565085-1	E	DARK GRAY	4-1565081-1
7	1-1565085-6	A	BLACK	1-1565081-6
	1-1565085-5	A	GREEN	1-1565081-5
	3-1565085-5	D	YELLOW	3-1565081-5
	2-1565085-4	C	BLUE	2-1565081-4
	1-1565085-3	B	RED	1-1565081-3
	1-1565085-1	A	NATURAL	1-1565081-1
2	1565085-6	A	BLACK	1565081-6
	1565085-5	A	GREEN	1565081-5
	3-1565085-4	D	YELLOW	3-1565081-4
	2-1565085-3	C	BLUE	2-1565081-3
	1-1565085-2	B	RED	1-1565081-2
	1565085-1	A	NATURAL	1565081-1
MATERIAL	△ MATING HSG P/N	KEYING TYPE	COLOR	P/N

THIS DRAWING IS A CONTROLLED DOCUMENT.		DWN A.OISHI 30MAY'02	 TE Connectivity Ltd.		
DIMENSIONS: 単位: 耗 mm		CHK M.SHINDO 30MAY'02			
TOLERANCES UNLESS OTHERWISE SPECIFIED: 一般公差		APVD M.SHINDO 30MAY'02	NAME 名称 GRACE INERTIA CONNECTOR 3.5 2POS PLUG HOUSING		
0 PLC ± 1 PLC ± 2 PLC ± 3 PLC ± 4 PLC ± ANGLES ±		PRODUCT SPEC 製品規格 108-5810	RESTRICTED TO 番号		
MATERIAL 材料 SEE TABLE		APPLICATION SPEC 取付適用規格 114-5306	SIZE A3	CAGE CODE 00779	DRAWING NO 番号 C-1565081
		WEIGHT -	SCALE 尺度 NONE		
		CUSTOMER DRAWING		SHEET 2 OF 2	REV B5

## X-ON Electronics

Largest Supplier of Electrical and Electronic Components

*Click to view similar products for [Headers & Wire Housings](#) category:*

*Click to view products by [TE Connectivity](#) manufacturer:*

Other Similar products are found below :

[892-18-020-10-001101](#) [58102-G61-06LF](#) [582553-1](#) [0009485154](#) [009176003701906](#) [0050291907](#) [LY20-4P-DT1-P1E-BR](#) [02.125.8002.8](#)  
[609-3404](#) [61062-3](#) [61082-181009](#) [622-3653LF](#) [63453-116](#) [636-1030](#) [636-1427](#) [636-3427](#) [636-4007](#) [641938-9](#) [641991-4](#) [644827-2](#) [65817-](#)  
[010LF](#) [65817-015LF](#) [65863-015LF](#) [66207-023LF](#) [67095-007LF](#) [67601157](#) [68645-018](#) [68648-049](#) [70.362.1628.0](#) [70-4210](#) [70-4226B](#) [70-](#)  
[4853B](#) [707-5020](#) [707-5028](#) [71.350.2428.0](#) [71918-208LF](#) [71961-016LF](#) [733-134](#) [733-162](#) [754199-000](#) [760-3052](#) [787-8014-00](#) [79531-3000](#)  
[FCN-360C032-B](#) [FCN-367T-T012/H](#) [FCN-723D010/2](#) [80.063.4001.1](#) [800-90-001-10-001000](#) [800-90-010-10-002000](#) [801-43-002-10-013000](#)