

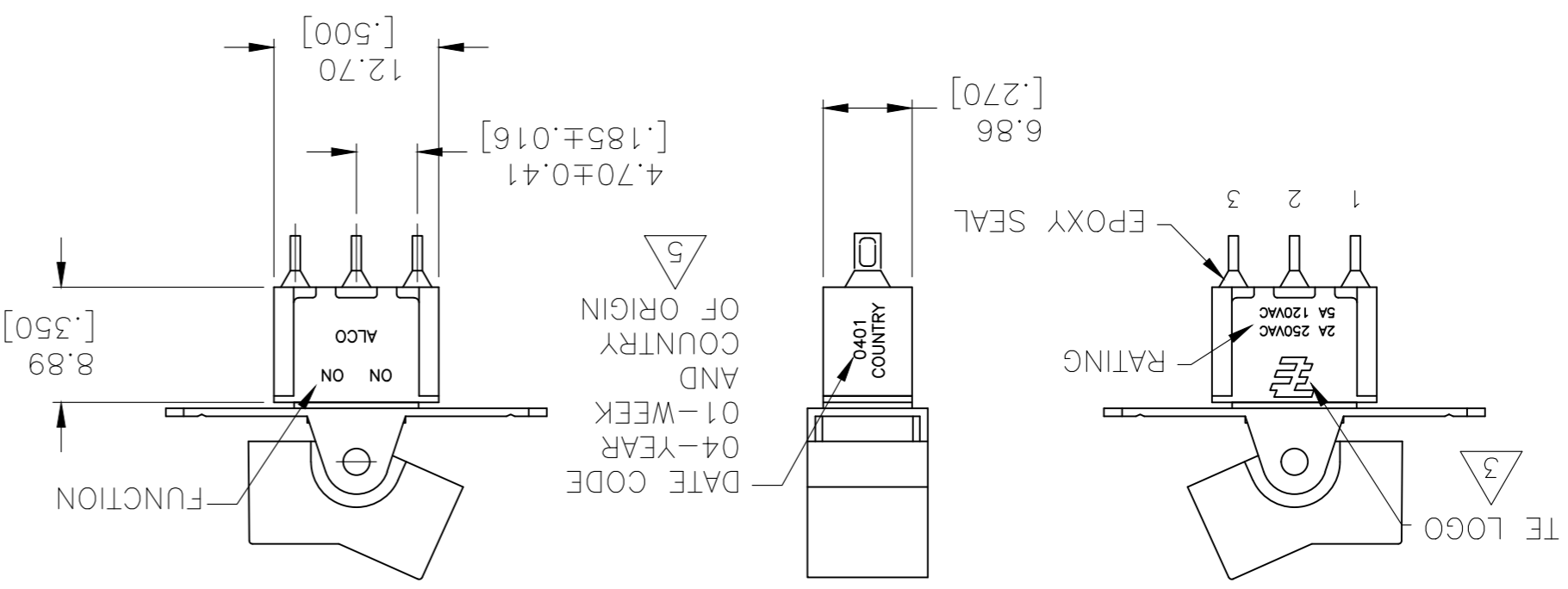
SPECIFICATIONS

RATING, B CONTACTS	.4VA MAX @20V MAX. AC OR DC
RATING, G CONTACTS-SEE NOTE 2	.4VA MAX @20V MAX. AC OR DC OR 5A @120 VAC OR 28 VDC (RESISTIVE) 2A @250 VAC (RESISTIVE)
RATING, Q CONTACTS	2A @250 VAC (RESISTIVE) 5A @120 VAC OR 28 VDC (RESISTIVE)
ELECTRICAL LIFE	6,000 CYCLES AT RATED LOAD
CONTACT RESISTANCE	10 MILLIOHMS MAX INITIAL @ 2-4VDC, 100MA
INSULATION RESISTANCE	1,000 MEGOHMS MIN
DIELECTRIC WITHSTANDING VOLTAGE	1,000 V RMS AT SEA LEVEL
OPERATING TEMPERATURE	-30C TO 85C

FUNCTION CHART

FUNCTION	1 2 3	1 2 3	1 2 3
01	ON	NONE	ON
03	ON	OFF	ON
05	(ON)	OFF	(ON)
07	ON	OFF	(ON)
08	ON	NONE	(ON)
TERMINALS CONNECTED	2-3	---	1-2

(ON): MOMENTARY ACTION
OFF: MECHANICAL POSITION WITH NO ELECTRICAL CONNECTION
NONE: NO MECHANICAL POSITION



THIS DRAWING IS A CONTROLLED DOCUMENT.

DWG	M.BINNER	06JAN05
CHK	M.ZITTO	06JAN05
APVD	M.ZITTO	06JAN05
NAME	GEMINI A SERIES ROCKER SWITCH SINGLE POLE	
PRODUCT SPEC	-	
APPLICATION SPEC	-	
WEIGHT	-	
FINISH	-	
MATERIAL	-	
DIMENSIONS:	mm [INCHES]	
TOLERANCES UNLESS OTHERWISE SPECIFIED:	0 PLC ± 1 PLC ± 2 PLC ± 3 PLC ± 4 PLC ±	
ANGLES	± .4°	

CUSTOMER DRAWING SCALE 2:1 SHEET 1 of 5 REV A12

MODEL	FUNCTION	ACTUATOR	TERMINAL	CONTACT	ACTUATOR COLOR	BEZEL COLOR	ROHS
A1	01	J1	A	B	0 BLACK (STD)	0 BLACK (STD)	04
	03	J3	AV2	G	1 BROWN	1 BROWN	
	05	J50	C	Q	2 RED	2 RED	
	07	J51	V3		3 ORANGE	3 ORANGE	
	08	J52	V4		4 YELLOW	4 YELLOW	
		J2	V6		5 GREEN	5 GREEN	
		J4	V7		6 BLUE	6 BLUE	
		J60	W		8 GRAY	8 GRAY	
		J61	W4		9 WHITE	9 WHITE	
		J62	Z				
			Z3				

PART NUMBER SEQUENCE CHART

1 ALL MATERIALS AND FINISHES SHALL COMPLY WITH EU DIRECTIVE 2002/95/EC OF 27JAN2003 (ROHS).

2 G CONTACT OPTION CAN BE USED FOR SIGNAL OR POWER LEVEL SWITCHING. IF SWITCH IS USED AT LEVELS EXCEEDING .4VA @ 20V AC/DC, SWITCH IS RENDERED FOR POWER SWITCHING ONLY DUE TO ARC REMOVAL OF GOLD PLATING. RATING MARKED ON SWITCH IS 2A 250VAC, 5A 120VAC.

3 TE CONNECTIVITY LOGO PER PER TEC-202-36.

5 DATE CODE AND COUNTRY OF ORIGIN MAY APPEAR ON EITHER SIDE OF SWITCH.

6 PANEL MOUNT BRACKET SUPPLIED WITH TERMINALS W, Z AND Z3 ONLY.

7 ACTUATOR MARKED .

8 ACTUATOR MARKED .

9 ACTUATOR MARKED .

10 ALL LOGO, RATING, DATE CODE, AND FUNCTION MARKINGS TO BE LASER MARKED.

11 OBSOLETE

12 GRAY ACTUATOR WITH MODIFIED BRACKET (SUPPORT BRACKET TRIMMED PARALLEL TO THE PCB)

REVISIONS			
P	LTR	DATE	APVD
A12		10MAY2017	RK AS
REVISED PER ECO-17-001761			

A

B

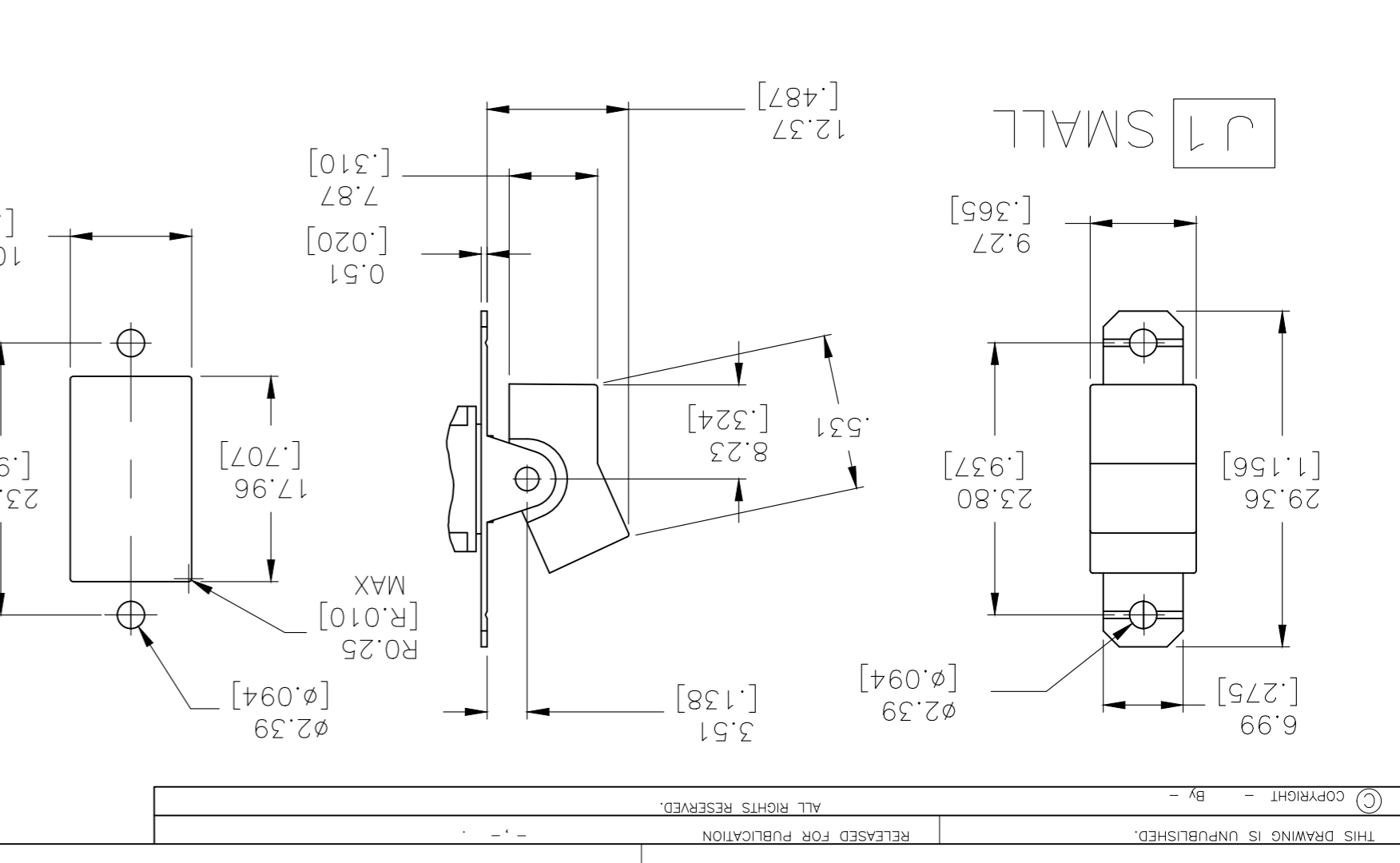
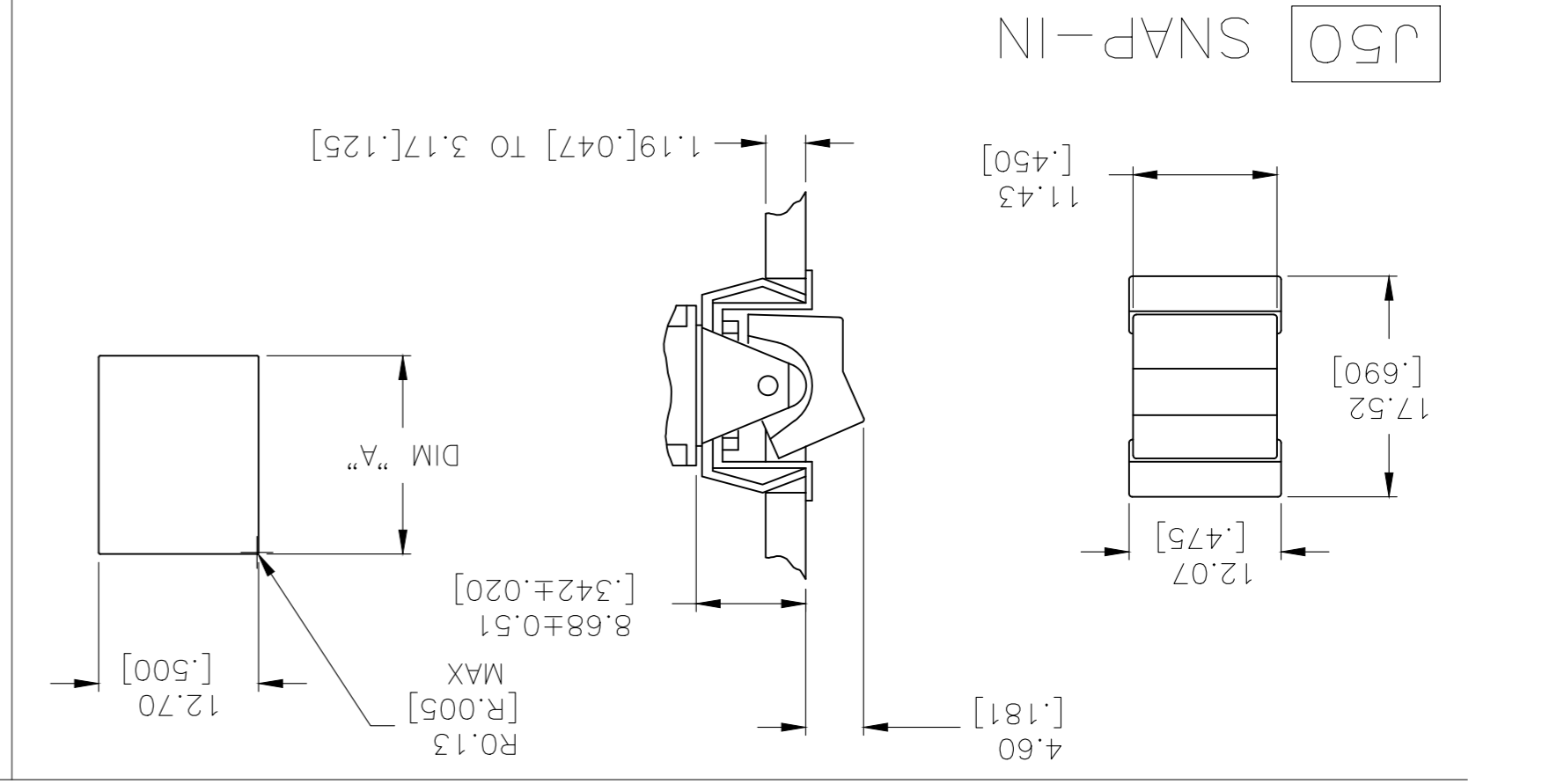
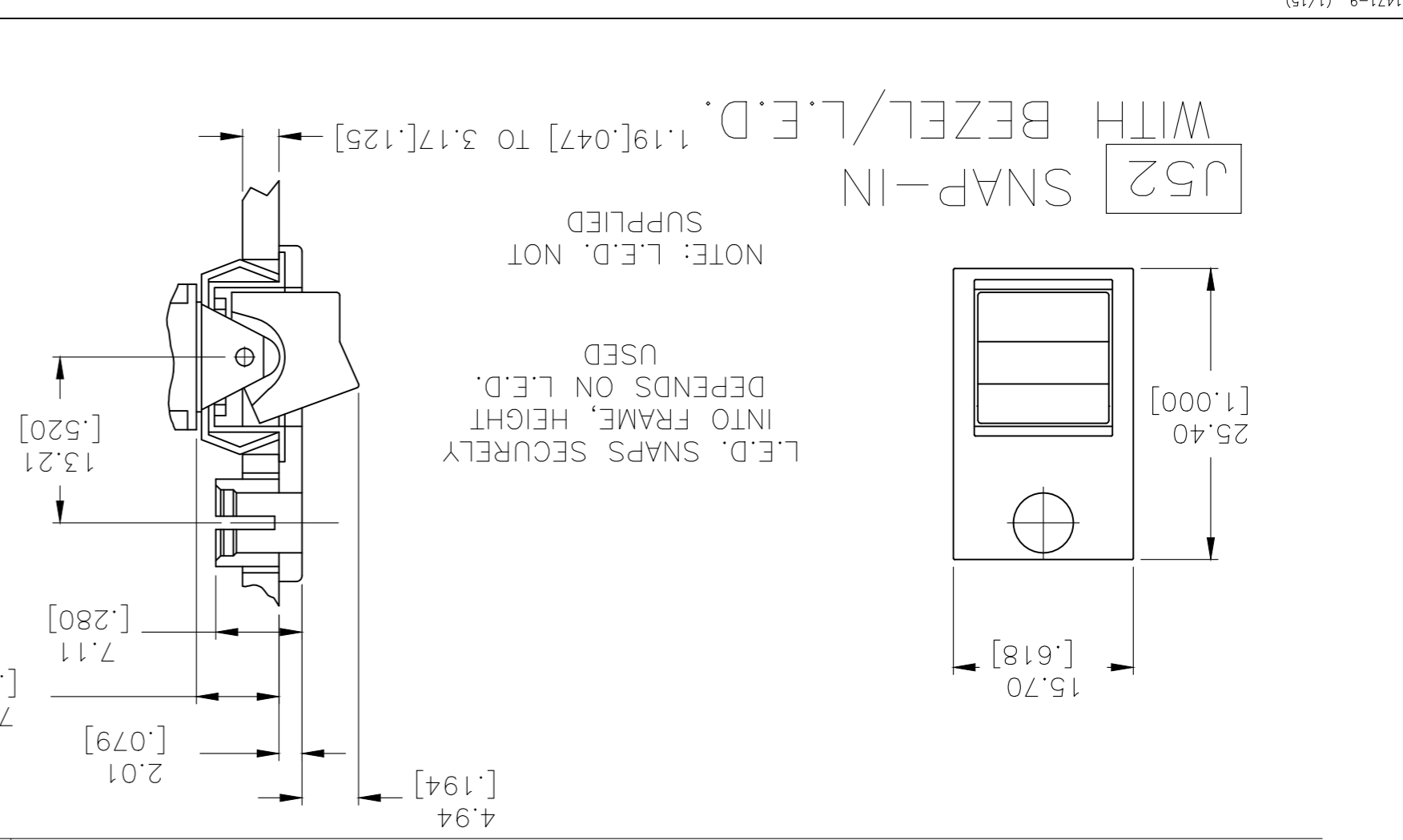
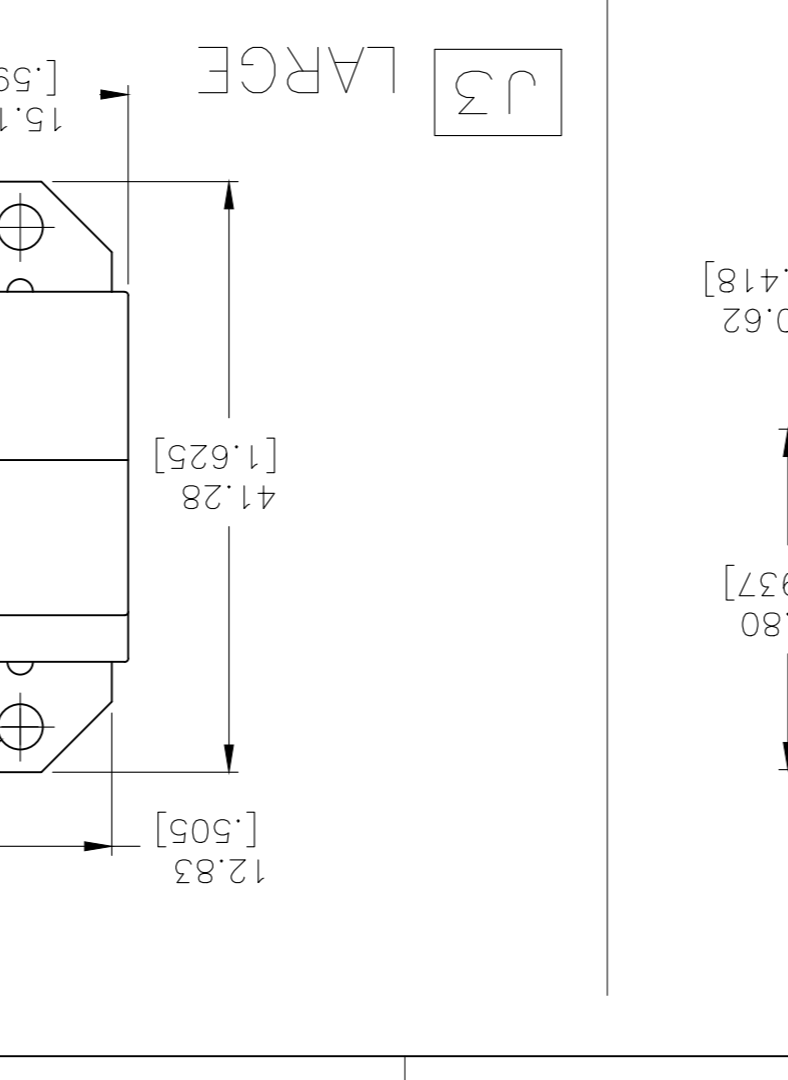
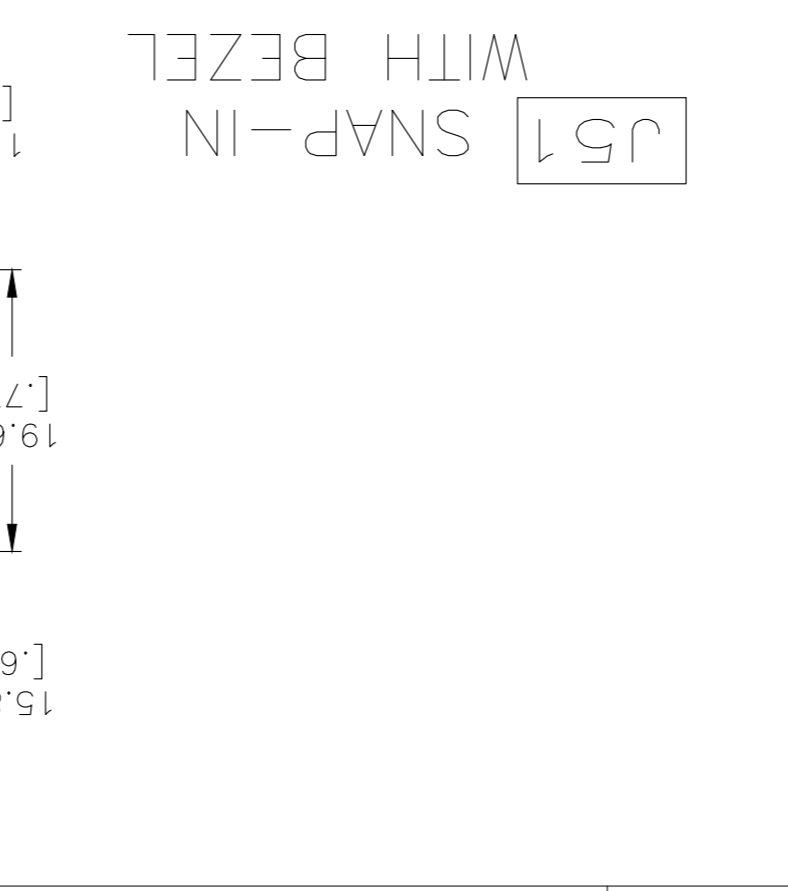
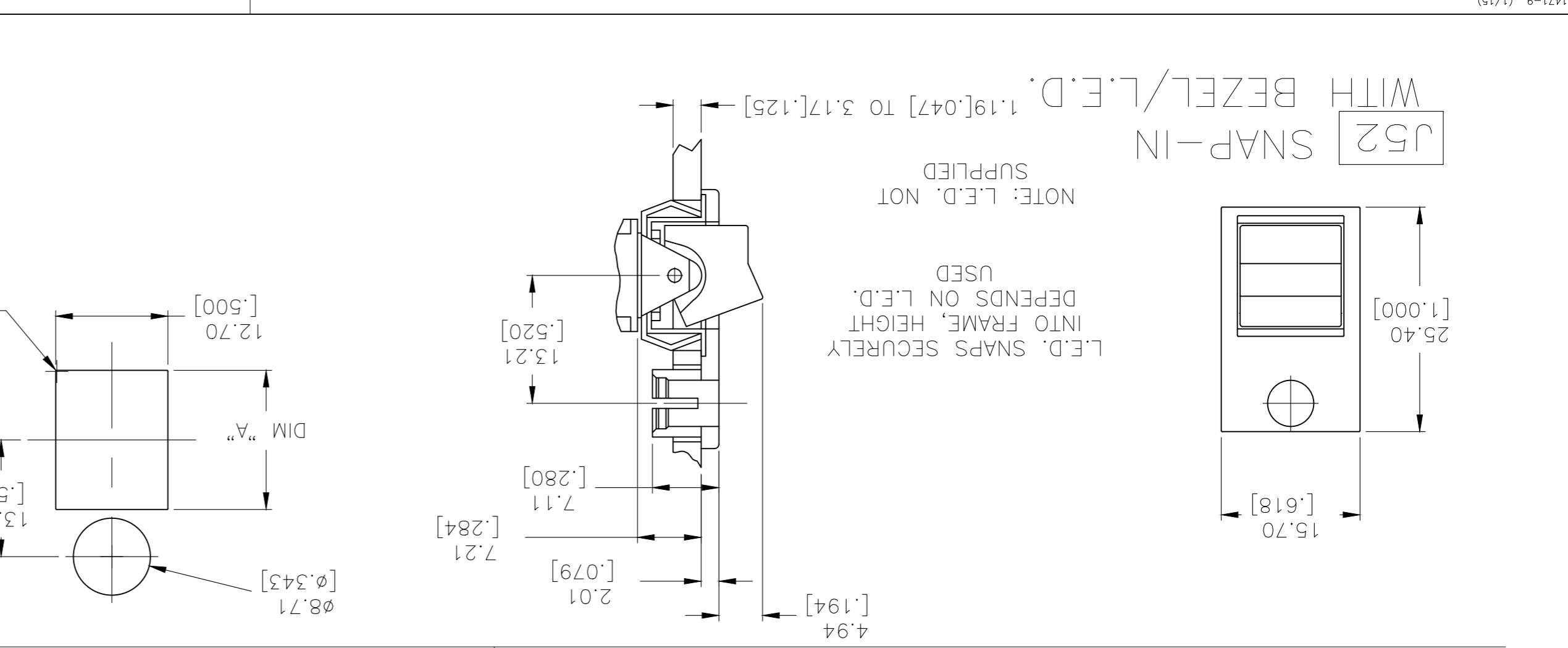
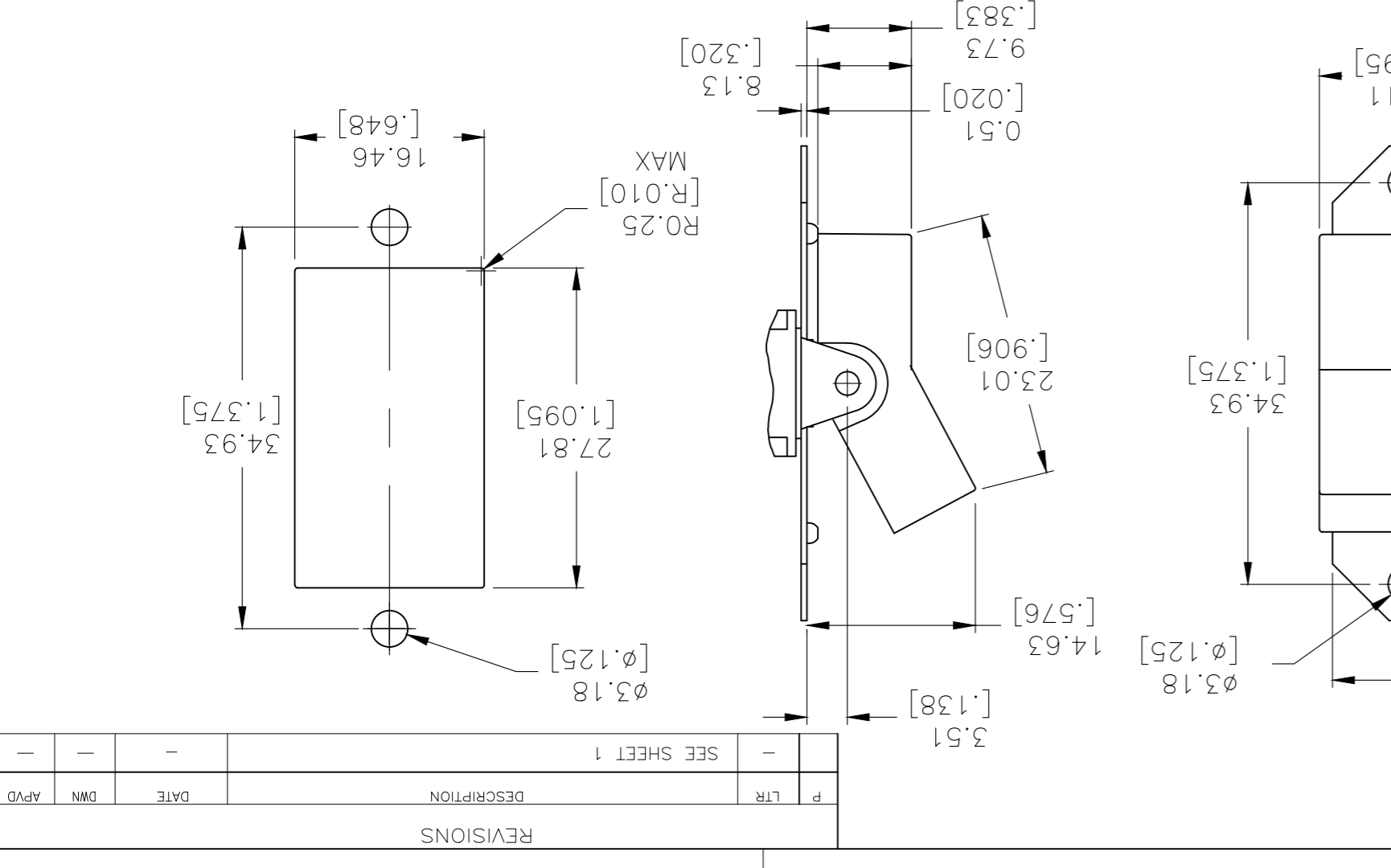
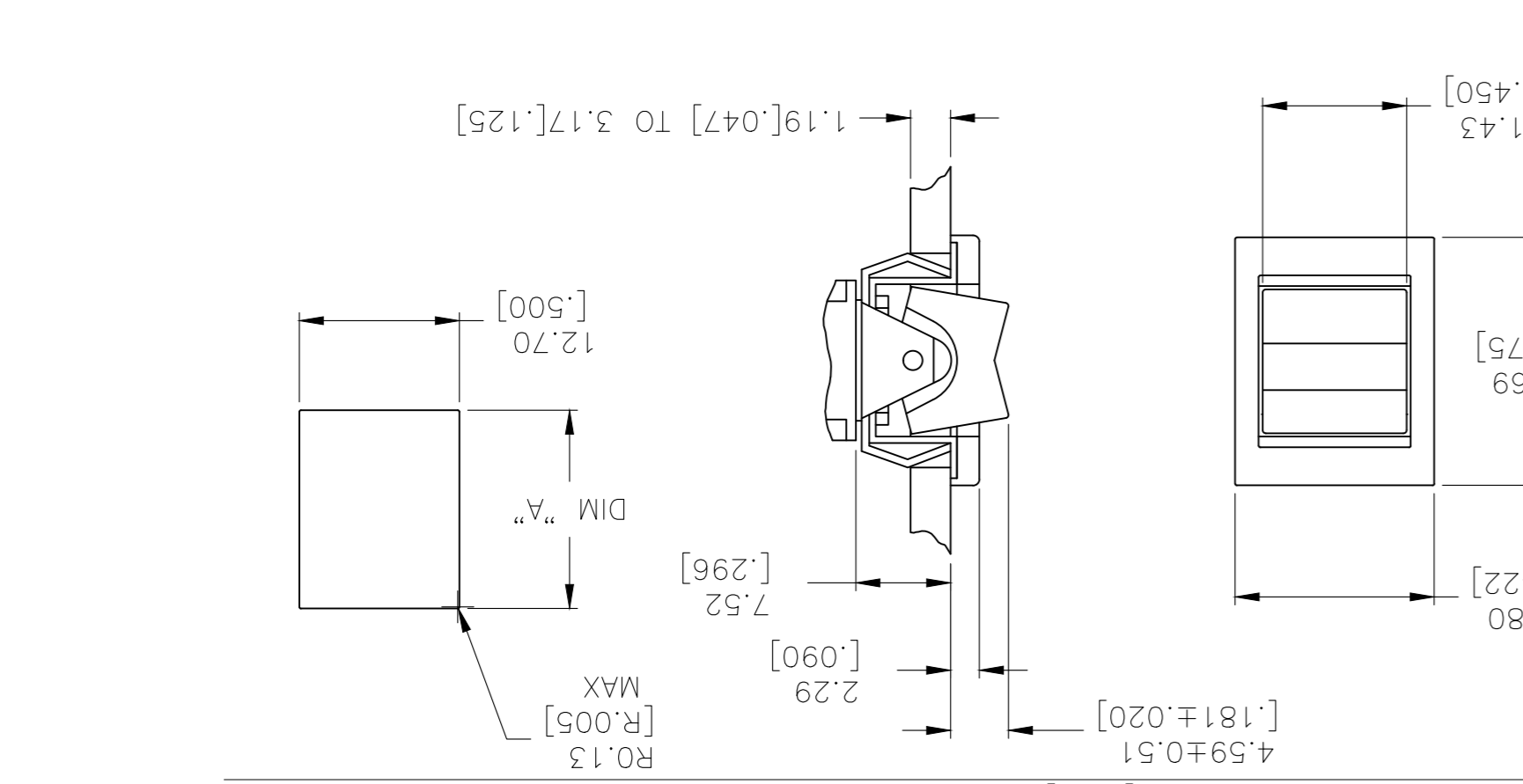
C

D

1571986

MATERIAL: -		FINISH: -		MATERIAL: -	
DIMENSIONS: mm [INCHES]		TOLERANCES UNLESS OTHERWISE SPECIFIED:		TOLERANCES UNLESS OTHERWISE SPECIFIED:	
0 P.L.C. ±		1 P.L.C. ±		0 P.L.C. ±	
1 P.L.C. ±		2 P.L.C. ±		1 P.L.C. ±	
2 P.L.C. ±		3 P.L.C. ±		2 P.L.C. ±	
3 P.L.C. ±		4 P.L.C. ±		3 P.L.C. ±	
4 P.L.C. ±		ANGLES: ± .4°		ANGLES: ± .4°	
WEIGHT: -		APPROVALS: M. ZITTO		APPROVALS: M. ZITTO	
APPLICATION SPEC: -		PRODUCT SPEC: GEMINI A SERIES ROCKER SWITCH SINGLE POLE		PRODUCT SPEC: GEMINI A SERIES ROCKER SWITCH SINGLE POLE	
SIZE: A2		DRAWMG NO: 1571986		DRAWMG NO: 1571986	
AGE CODE: -		SCALE: 2:1		SCALE: 2:1	
RESTRICTED TO: -		SHEET: 2 of 5		SHEET: 2 of 5	
REV: A12		CUSTOMER DRAWING		CUSTOMER DRAWING	

DMN: M. BINNER		CHK: M. ZITTO		APVD: M. ZITTO	
NAME: GEMINI A SERIES ROCKER SWITCH SINGLE POLE		NAME: GEMINI A SERIES ROCKER SWITCH SINGLE POLE		NAME: GEMINI A SERIES ROCKER SWITCH SINGLE POLE	
TE Connectivity		TE Connectivity		TE Connectivity	
PANEL THICKNESS		PANEL THICKNESS		PANEL THICKNESS	
DIM "A"		DIM "A"		DIM "A"	
1.52 [.060] - 3.17 [.125]		1.52 [.060] - 3.17 [.125]		1.52 [.060] - 3.17 [.125]	
15.75 [.620] - 15.87 [.625]		15.75 [.620] - 15.87 [.625]		15.75 [.620] - 15.87 [.625]	
1.19 [.047] - 1.50 [.059]		1.19 [.047] - 1.50 [.059]		1.19 [.047] - 1.50 [.059]	
15.72 [.619]		15.72 [.619]		15.72 [.619]	



REV	DATE	DESCRIPTION	DMN	APVD
-	-	-	-	-
-	-	-	-	-
-	-	-	-	-

A

B

C

D

A

B

C

D

1571986

1

2

3

4

X-ON Electronics

Largest Supplier of Electrical and Electronic Components

Click to view similar products for [Rocker Switches](#) category:

Click to view products by [TE Connectivity](#) manufacturer:

Other Similar products are found below :

[VKD2GHNB-00000-000](#) [VSD2GNNB-00000-000](#) [6-1571986-5](#) [6-1571986-9](#) [632422-4B-KD](#) [7036WWCDBX653+U622](#) [8055K52Z7V](#)
[8138K20E6M50](#) [FMC18A2200002](#) [84206L](#) [84312LX](#) [PREDD4-07F-BB0FW](#) [PREDD5-07F-BB0GW](#) [PRFDD1-16F-BB000](#) [PRFDD3-16F-](#)
[BB000](#) [1-1634201-0](#) [999-16702-001](#) [A101J2ZQ004](#) [A101J4ZQ004](#) [A101J51CB0004](#) [A107J51ZQ0004](#) [A201J1AQ004](#) [A201J1AV2Q004](#)
[A201J3ZB004](#) [A201J50ZQ004](#) [A203J51ZQ0004](#) [A226L11YZQ](#) [A22L11A](#) [A435S1YZQ](#) [H8500XBBBBL-A](#) [H8653VBBG2577W](#)
[HB130CHNWWNAAC](#) [1251.0303](#) [AE205J60V3B004](#) [RH110C2NBB](#) [1352.0107](#) [1363.0201](#) [AML25GBF2AA03GR](#) [1571099-3](#) [1571987-4](#)
[1571987-5](#) [1571989-7](#) [B123J77V7B2](#) [B226J50W4Q22P](#) [B433J37ZQ22M](#) [160212E](#) [1801.1164](#) [1831.1102](#) [1833.3402](#) [1837.1118](#)