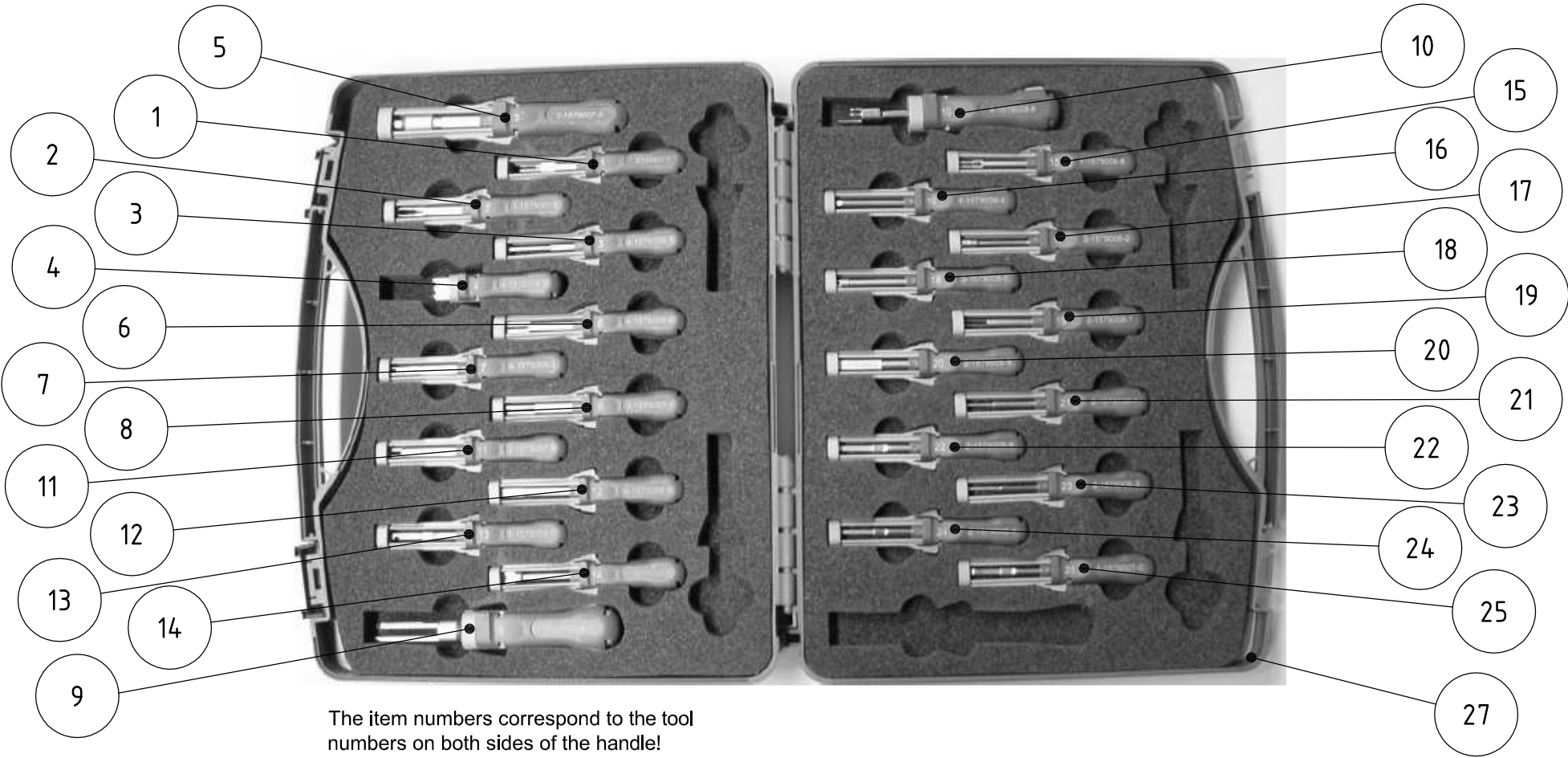

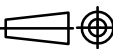


THIS DRAWING IS UNPUBLISHED. RELEASED FOR PUBLICATION  
 © COPYRIGHT BY TYCO ELECTRONICS CORPORATION. ALL INTERNATIONAL RIGHTS RESERVED.

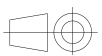

LDC		DIST		REVISIONS			
P	LTR	DESCRIPTION		DATE	DWN	APVD	
	B2	ECR-15-018543		02FEB16	KH	RG	



The item numbers correspond to the tool numbers on both sides of the handle!

<b>THIS DRAWING IS A CONTROLLED DOCUMENT.</b>		DWN G. Stegmayer 10DEC06	 TE Connectivity  <b>EXTRACTION TOOL KIT</b> <b>Entriegelungswerkzeugkoffer</b>		RESTRICTED TO —		
DIMENSIONS: mm		CHK G. Stegmayer 24MAY07				NAME	
TOLERANCES UNLESS OTHERWISE SPECIFIED:		APVD G. Stegmayer 24MAY07				PRODUCT SPEC	
		APPLICATION SPEC				—	
MATERIAL	FINISH	WEIGHT	—	SIZE A3	CAGE CODE 00779	DRAWING NO G=4-1579010-0	—
CUSTOMER DRAWING				SCALE 1:1	SHEET 1 OF 3	REV B2	—

10	1	4-1579008-8	A	EXTRACTION TOOL	ENTRIEGELUNGSWERKZEUG	<input checked="" type="checkbox"/>	<input checked="" type="checkbox"/>
11	1	2-1579007-9	A	EXTRACTION TOOL	ENTRIEGELUNGSWERKZEUG	<input checked="" type="checkbox"/>	<input checked="" type="checkbox"/>
12	1	4-1579008-9	A	EXTRACTION TOOL	ENTRIEGELUNGSWERKZEUG	<input checked="" type="checkbox"/>	<input checked="" type="checkbox"/>
13	1	5-1579008-0	A	EXTRACTION TOOL	ENTRIEGELUNGSWERKZEUG	<input checked="" type="checkbox"/>	<input checked="" type="checkbox"/>
14	1	1-1579008-2	B	EXTRACTION TOOL	ENTRIEGELUNGSWERKZEUG	<input checked="" type="checkbox"/>	<input checked="" type="checkbox"/>
15	1	1-1579008-8	A	EXTRACTION TOOL	ENTRIEGELUNGSWERKZEUG	<input checked="" type="checkbox"/>	<input checked="" type="checkbox"/>
16	1	4-1579008-4	A	EXTRACTION TOOL	ENTRIEGELUNGSWERKZEUG	<input checked="" type="checkbox"/>	<input checked="" type="checkbox"/>
17	1	2-1579008-2	A	EXTRACTION TOOL	ENTRIEGELUNGSWERKZEUG	<input checked="" type="checkbox"/>	<input checked="" type="checkbox"/>
18	1	3-1579008-0	A	EXTRACTION TOOL	ENTRIEGELUNGSWERKZEUG	<input checked="" type="checkbox"/>	<input checked="" type="checkbox"/>
19	1	2-1579008-7	A	EXTRACTION TOOL	ENTRIEGELUNGSWERKZEUG	<input checked="" type="checkbox"/>	<input checked="" type="checkbox"/>
20	1	2-1579008-9	A	EXTRACTION TOOL	ENTRIEGELUNGSWERKZEUG	<input checked="" type="checkbox"/>	<input checked="" type="checkbox"/>
21	1	2-1579008-1	A	EXTRACTION TOOL	ENTRIEGELUNGSWERKZEUG	<input checked="" type="checkbox"/>	<input checked="" type="checkbox"/>
22	1	2-1579008-8	A	EXTRACTION TOOL	ENTRIEGELUNGSWERKZEUG	<input checked="" type="checkbox"/>	<input checked="" type="checkbox"/>
23	1	2-1579008-3	A	EXTRACTION TOOL	ENTRIEGELUNGSWERKZEUG	<input checked="" type="checkbox"/>	<input checked="" type="checkbox"/>
24	1	2-1579008-4	A	EXTRACTION TOOL	ENTRIEGELUNGSWERKZEUG	<input checked="" type="checkbox"/>	<input checked="" type="checkbox"/>
25	1	1-1579007-0	A	EXTRACTION TOOL	ENTRIEGELUNGSWERKZEUG	<input checked="" type="checkbox"/>	<input checked="" type="checkbox"/>
27	1	1-1579006-6	A	CASE W.FOAM	KOFFERMIT SCHAUMEINL.	<input checked="" type="checkbox"/>	<input type="checkbox"/>

<b>REMARKS:</b> Extraction Tool Kit, Renault The item numbers correspond to the tool numbers on both sides of the handle!						<b>USED ON</b>						
P	LTR	REVISION RECORD	DATE	DWN	APVD	PRINTED	DWN	18DEC06	CHK	18DEC06	APVD	18DEC06
-	A	SEE SHEET 1	-	-	-	15FEB16	G.STEGMAYER		G.STEGMAYER		G.STEGMAYER	
-	B	SEE SHEET 1	-	-	-	<b>WEIGHT</b>	<b>DIMENSION (mm)</b>		<b>MATERIAL</b>		<b>HT TR</b>	
-	B1	SEE SHEET 1	-	-	-	-	-		-		-	
-	B2	SEE SHEET 1	-	-	-	 TOLERANCES UNLESS OTHERWISE SPECIFIED SEE SHEET 1		 <b>TE Connectivity</b> <b>SPARE AND WEAR PARTS LIST</b>				
THIS DRAWING IS A CONTROLLED DOCUMENT FOR TYCO ELECTRONICS CORPORATION. IT IS SUBJECT TO CHANGE AND THE CONTROLLING ENGINEERING ORGANIZATION SHOULD BE CONTACTED FOR THE LATEST REVISION.  DIESES ZEICHNUNGSDOKUMENT WIRD DURCH TYCO ELECTRONICS CORPORATION KONTROLLIERT. ÄNDERUNGEN DIE DEM TECHNISCHEN FORTSCHRITT DIENEN, SIND VORBEHALTEN. DEN JEWEILS LETZTGÜLTIGEN ÄNDERUNGSSTAND ERFAHREN SIE AUF ANFRAGE						<b>NAME</b> EXTRACTION TOOL KIT			<b>RESTRICTED TO</b> -			
<b>SCALE</b> SEE SHEET 1			<b>SIZE</b> A4		<b>DRAWING NO</b> C-4-1579010-0			<b>SHEET</b> 2/3		<b>REV</b> B2		



## X-ON Electronics

Largest Supplier of Electrical and Electronic Components

*Click to view similar products for [Extraction, Removal & Insertion Tools](#) category:*

*Click to view products by [TE Connectivity](#) manufacturer:*

Other Similar products are found below :

[M8196914-08](#) [768211-2](#) [809-131](#) [844751-2](#) [8-59558-2](#) [91018-1](#) [12014013](#) [12093647](#) [1-21048-0](#) [R282867020](#) [12093078](#) [12180559](#) [1-21048-6](#) [12121897](#) [DCF.91.405.5LT](#) [1322](#) [15314260](#) [15350698](#) [15350707](#) [15430130](#) [1579018-4](#) [1643916-1](#) [1-679532-0](#) [1976593-3](#)  
[OUTEXT-0321](#) [2-1579008-3](#) [2-1579008-4](#) [229694-7](#) [231106-1](#) [241469](#) [91040-3](#) [91040-7](#) [965004-000](#) [965069-000](#) [1738219-1](#) [ET-JL05-16](#)  
[FG 0300 146 3000](#) [FIT-6](#) [210S048](#) [2-1579007-9](#) [231879-1](#) [312138-3](#) [RJ11FODE](#) [356-162](#) [M8196914-10](#) [4-1579018-0](#) [430395-001](#) [483249-1](#) [5-1579007-2](#) [5-1579007-9](#)