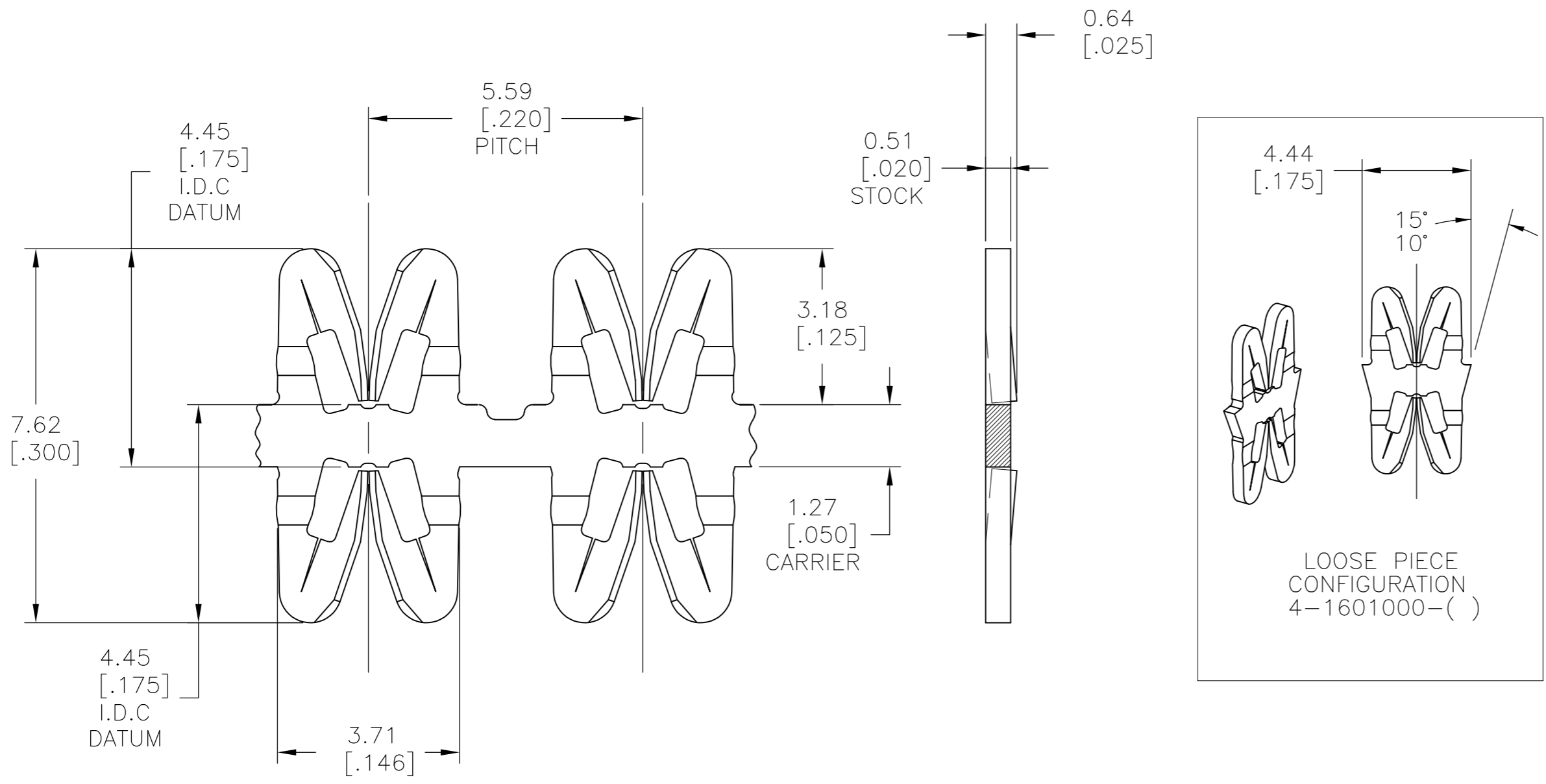
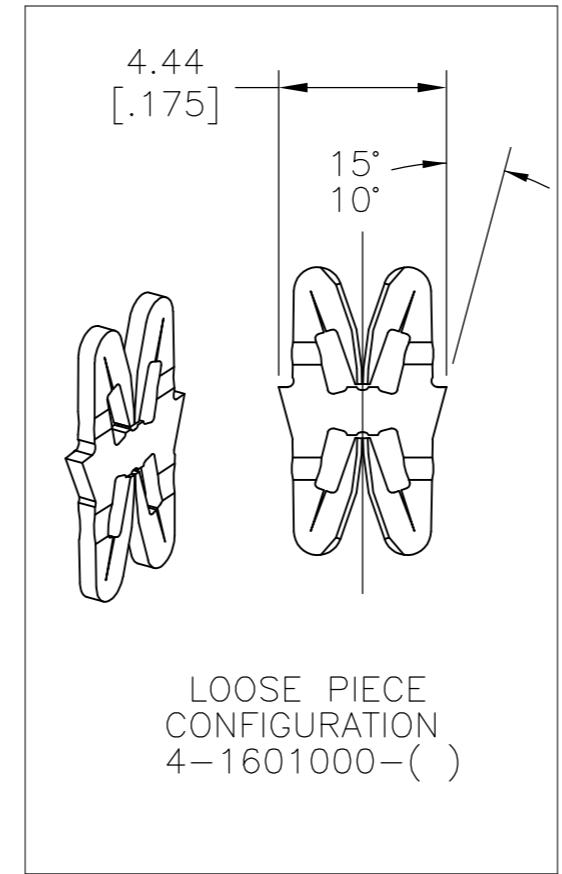


THIS DRAWING IS UNPUBLISHED. RELEASED FOR PUBLICATION
 © COPYRIGHT BY TYCO ELECTRONICS CORPORATION. ALL INTERNATIONAL RIGHTS RESERVED.

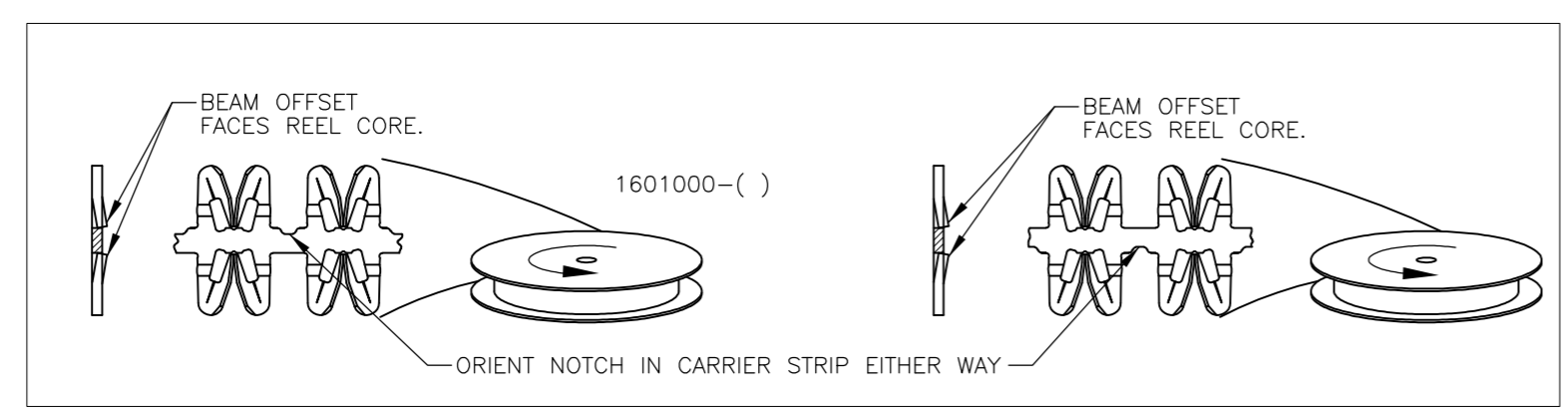
LOC	DIST	REVISIONS			
P	LTR	DESCRIPTION	DATE	DWN	APVD
AF	50	C3	REVISED PER ECR-09-008562	29APR09	HMR GJ



- SPECIFICATIONS:
 MAGNET WIRE #18 - #34 AWG,
 1.02(.040) - 0.16(.006) DIA COPPER.
 LEAD WIRE #18 - #22 AWG,
 0.8(.031)mm² - 0.3(.011)mm² STRANDED,
 BONDED OR SOLID WITH PVC INSULATION
 MAX INSULATION O.D. 2.9(.115)
 NO STRIPPING REQUIRED. OTHER INSULATION TYPES.
 MAY BE ACCOMMODATED, CONSULT
 TYCO ELECTRONICS FOR APPROVAL.
- POCKET RECOMMENDATION: #1601421
 ALTERANTE POCKET : #1601462
- TERMINAL APPLICATION TO COMPLY WITH
 TYCO ELECTRONICS SPECIFICATION 114-13166
 FIGURE 3 OR 4
- REDUCED QUANTITY PACKAGING
- PRELIMINARY - NOT FOR PRODUCTION.



TERMINAL TO UNWIND FROM REELS BY EITHER METHOD SHOWN:



OBSOLETE	UNPLATED	031-501-000	9-1601000-1
OBSOLETE	UNPLATED	231-001-000	6-1601000-1
	POST NICKEL PLATED	-	5-4-1601000-3
	POST TIN PLATE OVER COPPER UNDERPLATE	031-001-001	4-1601000-2
	UNPLATED	031-001-000	4-1601000-1
	POST TIN PLATE OVER COPPER UNDERPLATE	-	4-3-1601000-2
	POST TIN PLATE OVER COPPER UNDERPLATE	131-001-001	1601000-2
	UNPLATED	131-001-000	1601000-1
	FINISH	REFERENCE PART NUMBER	PART NUMBER
THIS DRAWING IS A CONTROLLED DOCUMENT.		DWN J.WELLER 11JAN2002	Tyco Electronics Corporation Harrisburg, PA 17105-3608
DIMENSIONS: mm [INCHES]		CHK M.FEHER 11JAN2002	
TOLERANCES UNLESS OTHERWISE SPECIFIED:		APVD K.RANDOLPH 11JAN2002	
0 PLC ± - 1 PLC ± 0.25[.010] 2 PLC ± 0.13[.005] 3 PLC ± - 4 PLC ± - ANGLES ± 2°		PRODUCT SPEC 108-2085	
MATERIAL BRASS, SPRING HARD	FINISH SEE TABLE	WEIGHT -	NAME STANDARD RANGE WIRE TO WIRE SIAMEZE TERMINAL
CUSTOMER DRAWING		SCALE 10:1	RESTRICTED TO -
		SHEET 1 OF 1	REV C3

X-ON Electronics

Largest Supplier of Electrical and Electronic Components

Click to view similar products for [Terminals](#) category:

Click to view products by [TE Connectivity](#) manufacturer:

Other Similar products are found below :

[00-054007-01074-6](#) [00-054007-70206-1](#) [00-054007-70210-8](#) [00-054007-70217-7](#) [00-054007-70226-9](#) [00-054007-70228-3](#) [00-054007-70248-1](#) [00-054007-70256-6](#) [00-054007-70301-3](#) [00-054007-70316-7](#) [00-054007-49560-4](#) [00-054007-70209-2](#) [00-054007-70225-2](#) [00-054007-70227-6](#) [00-054007-70231-3](#) [00-054007-70241-2](#) [00-054007-70242-9](#) [00-054007-70244-3](#) [00-054007-70246-7](#) [00-054007-70263-4](#) [00-054007-70288-7](#) [00-054007-70290-0](#) [00-054007-70300-6](#) [00-054007-70304-4](#) [01-2065-1-0216](#) [01-2900-1-04412](#) [00581P0075](#) [600TS-10](#) [60205-1](#) [604200-1](#) [605601-1](#) [60598-1-CUT-TAPE](#) [61314-6-C](#) [61810-3](#) [61-S](#) [61-SN](#) [626-0194](#) [62-NBM-A](#) [62-SN](#) [62-SP](#) [63-S](#) [640179-1](#) [M55155/059I03](#) [M55155/079C01](#) [M55155/099H02](#) [M55155/109H01](#) [M55155/109H02](#) [M55155/12XH05](#) [M55155/16XH02](#) [M55155/29-5S](#)