

THIS DRAWING IS UNPUBLISHED.

RELEASED FOR PUBLICATION

20

© COPYRIGHT 20 BY -

ALL RIGHTS RESERVED.

LOC X53

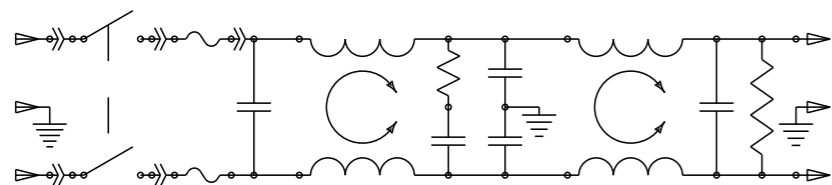
DIST -

REVISIONS

P	LTR	DESCRIPTION	DATE	DWN	APVD
	A	ECO-10-017557	10JAN2012	EC	EC

MINIMUM INSERTION LOSS, 50Ω LINE AND LOAD IMPEDANCES

LINE TO GROUND (COMMON MODE)							LINE TO LINE (DIFFERENTIAL MODE)						
CURRENT RATING	FREQUENCY, MHz						CURRENT RATING	FREQUENCY, MHz					
	.15	.5	1	3	10	30		.15	.5	1	3	10	30
3 AMP	50	60	60	49	40	30	3 AMP	25	60	60	53	45	40
6 AMP	34	58	58	47	37	30	6 AMP	9	50	62	54	46	40
10 AMP	6	35	45	45	38	30	10 AMP	10	20	59	54	48	40

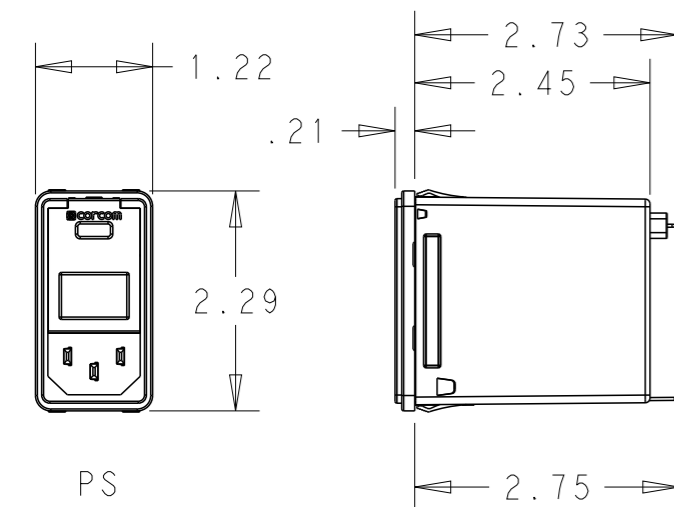


SCHEMATIC

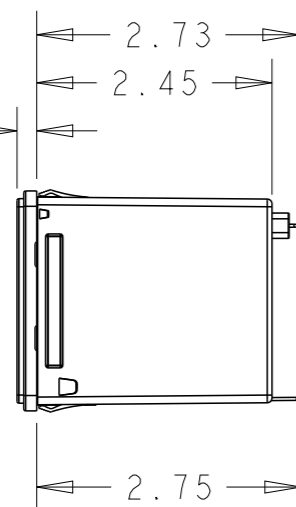
PANEL CUT-OUT



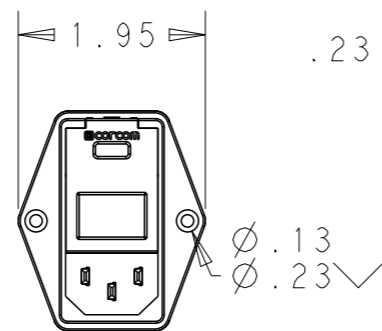
FOR PS VERSIONS THE SHORT EDGES MUST HAVE R.02 ON INSERTION SIDE.
* FOR PANEL THICKNESS 0.031-0.079 USE 2.201
FOR PANEL THICKNESS 0.083-0.114 USE 2.213.



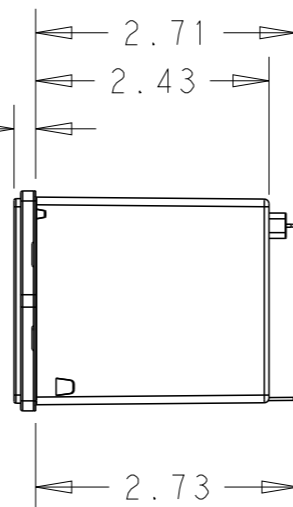
PS SNAP-IN MOUNTING



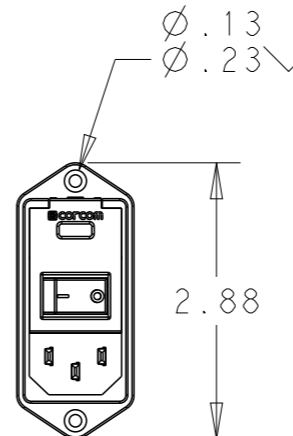
PS



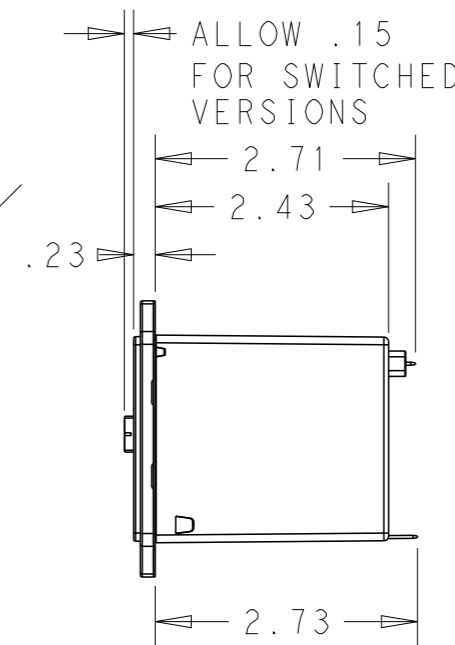
PE SHOWN WITHOUT SWITCH



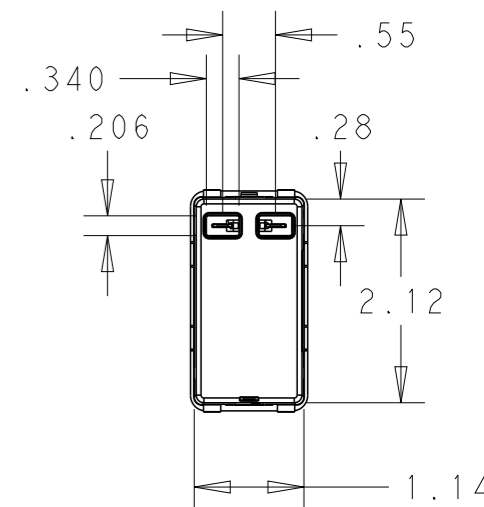
PE



PM SHOWN WITH SWITCH



PM



PS

PART NUMBER SYSTEM



MOUNTING STYLE
S = SEE ABOVE
E = SEE ABOVE
M = SEE ABOVE

SWITCH OPTIONS
0 = NONE
S = DOUBLE POLE, SINGLE THROW

FUSE LOCATIONS
D = DUAL FUSING
S = SINGLE FUSING
INCLUDES CONVERSION CLIP

CURRENT
3 = 3 AMP
6 = 6 AMP
X = 10 AMP

PSOSOSM6E EXAMPLE:
SNAP-IN MOUNTING
WITH SWITCH
SINGLE FUSING
6 AMP
0'S ARE ZEROS.

HIPOT RATING (ONE MINUTE)
LINE TO GROUND: 1500 VAC
LINE TO LINE: 1450 VDC
OPERATING FREQUENCY: 50/60 Hz
RATED VOLTAGE: 120/250 VAC
FUSING: ACCEPTS 3AG Ø 1/4" X 1-1/4"
OR METRIC Ø 5 mm X 20 mm
OPERATING AMBIENT TEMP: -10°C TO 40°C
STORAGE TEMPERATURE: -40°C TO 85°C

MAX LEAKAGE CURRENT .25mA @ 120V 60Hz
PER LINE TO GROUND: .50mA @ 250V 60Hz
HUMIDITY: 21 DAYS, 40°C @ 95%RH
CURRENT OVERLOAD: 6X RATED FOR 8 SEC
SWITCH: 10K CYCLES @ 51 AMP INRUSH
TERMINALS: 0.187" X .032 FASTON TABS
SAFETY AGENCIES: UL RECOGNIZED, CSA CERTIFIED, VDE APPROVED.

THIS DRAWING IS A CONTROLLED DOCUMENT.

DWN 20DEC2011

EC

CHK 20DEC2011

APVD 20DEC2011

FC

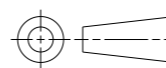
PRODUCT SPEC

APPLICATION SPEC

WEIGHT

CUSTOMER DRAWING

DIMENSIONS: INCHES



TOLERANCES UNLESS OTHERWISE SPECIFIED:
0 PLC ±.2
1 PLC ±.1
2 PLC ±.02
3 PLC ±.005
4 PLC ±.0005
ANGLES ±1

MATERIAL

FINISH



TE Connectivity

MEDIUM P SERIES
SWITCHED, FUSED,
2-STAGE FILTERED INLET

SIZE A3 CAGE CODE 00779 DRAWING NO. G-MEDIUM-P-SERIES RESTRICTED TO

SCALE 1:2 SHEET 1 OF 1 REV A

X-ON Electronics

Largest Supplier of Electrical and Electronic Components

Click to view similar products for [AC Power Entry Modules](#) category:

Click to view products by [TE Connectivity](#) manufacturer:

Other Similar products are found below :

[6167.0002](#) [6609100-2](#) [7-6609955-2](#) [FN361-6-06](#) [FN389-4-22](#) [FN9233S1-10-06](#) [FN9233S1-8-06](#) [FN9233S1B-8-06](#) [FN9233S1R-1-06](#)
[FN9233S1R-12-06](#) [FN9233SB-1-06](#) [FN9233SB-12-06](#) [FN9233SB-8-06](#) [FN9233SR-10-06](#) [FN9244B-15-06HI](#) [FN9244EB-3-06](#) [FN9244EB-8-06](#) [FN9244ER-15-06](#) [FN9244ER-8-06](#) [FN9244ES1-8-06](#) [FN9244ESB-8-06](#) [FN9244R-12-06](#) [FN9244S1-12-06](#) [FN9244S1R-3-06](#)
[FN9244SB-8-06](#) [FN9244SR-10-06](#) [FN9244SR-3-06](#) [FN9244SR-6-06](#) [FN9244U-3-06](#) [FN9244U-8-06](#) [PE00SSSXB](#) [Fuse-H-EUR-1](#)
[PM00XD000](#) [15EJMS8](#) [1-6609941-2](#) [200JM6-2](#) [CA121003-6](#) [1-6609153-2](#) [FN323-1-05](#) [FN372-2-](#) [FN9233B-8-06](#) [FN9233EB-1-06](#)
[FN9233ES1R-10-06](#) [FN9233S-10-06](#) [FN9233S1B-10-06](#) [FN9233S1B-12-06](#) [FN9233S1B-6-06](#) [FN9233U-6-06](#) [FN9244-6-07](#) [FN9244B-12-06HI](#)