

4

3

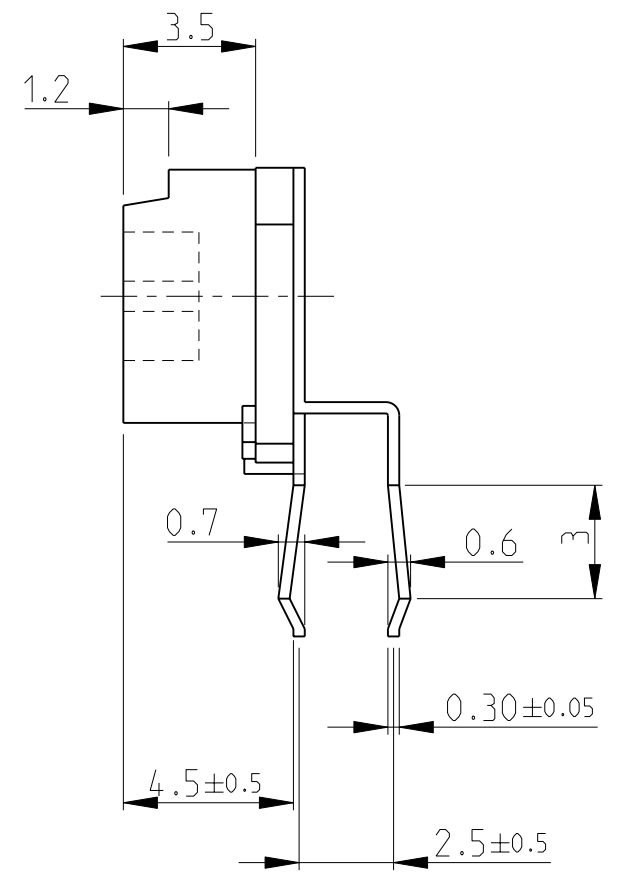
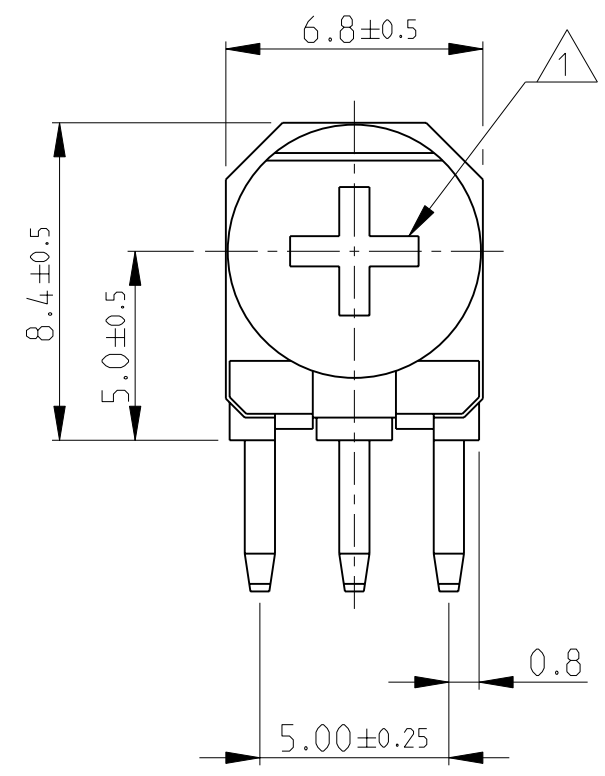
2

1

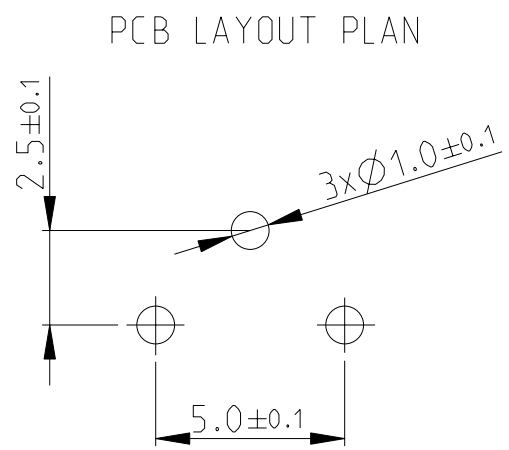
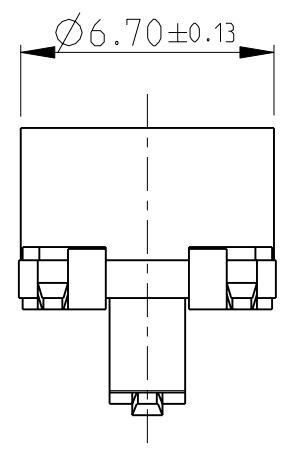
THIS DRAWING IS UNPUBLISHED. RELEASED FOR PUBLICATION 2008

© COPYRIGHT 2008 BY TYCO ELECTRONICS CORPORATION. ALL RIGHTS RESERVED.

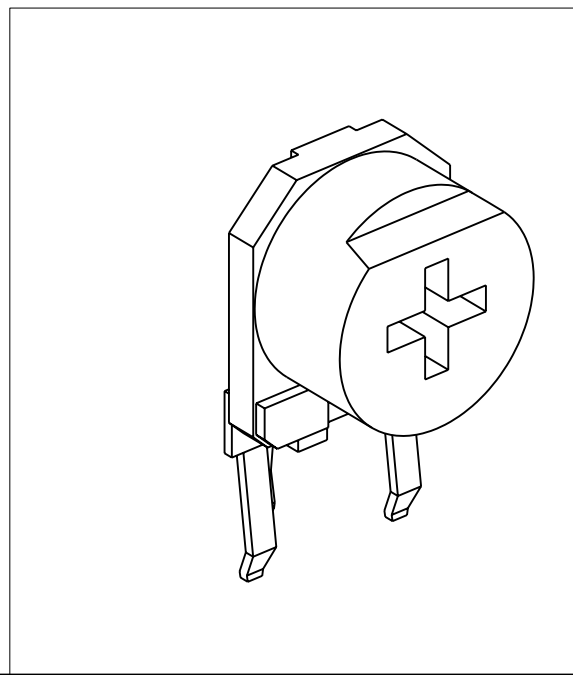
| LOC | DIST | REVISIONS | | | |
|-----|------|-------------|-------------|-----------|---------|
| P | LTR | DESCRIPTION | DATE | DWN | APVD |
| E | B | BA | NEW RELEASE | 27-NOV-08 | SM St.P |



1 ADJUSTMENT HEAD: CROSS SLOT- 0.8x3.4, Depth-2
 2 FOR FURTHER INFORMATION SEE DATA SHEET FOR 416 SERIES-ECONOMY TRIMMERS



RoHS Compliant



| | | | | |
|--|--|--------------------------|--|-----------------|
| THIS DRAWING IS A CONTROLLED DOCUMENT FOR TYCO ELECTRONICS CORPORATION IT IS SUBJECT TO CHANGE AND THE CONTROLLING ENGINEERING ORGANIZATION SHOULD BE CONTACTED FOR THE LATEST REVISION. | | DWN SUBHASH.M 27-NOV-08 | Tyco Electronics Corporation Dorcan, Swindon, SN3 5HH | |
| DIMENSIONS: mm | | CHK PRAKASH.S 27-NOV-08 | NAME ECONOMY TRIMMERS SERIES 416X | |
| TOLERANCES UNLESS OTHERWISE SPECIFIED: | | APVD STEPHEN.P 27-NOV-08 | RESTRICTED TO | |
| 0 PLC ±0.2 | | PRODUCT SPEC - | SIZE A3 | CAGE CODE 00779 |
| 1 PLC ±0.1 | | APPLICATION SPEC - | DRAWING NO C-1623895 | SCALE 5:1 |
| 2 PLC ±- | | WEIGHT - | SHEET 1 OF 1 | REV BA |
| 3 PLC ±- | | CUSTOMER DRAWING | | |
| 4 PLC ±- | | | | |
| ANGLES ±5° | | | | |
| FINISH - | | | | |

X-ON Electronics

Largest Supplier of Electrical and Electronic Components

Click to view similar products for [Trimmer Resistors - Through Hole](#) category:

Click to view products by [TE Connectivity](#) manufacturer:

Other Similar products are found below :

[64W205](#) [M63M103KB40](#) [M63X104KB40](#) [76PR500K](#) [79PR5K](#) [PT15NV24-103A2020](#) [CT6P-103](#) [CB10MV473ME](#) [4270W105K](#)
[56PR2MEG](#) [82PR2KLFTB](#) [62MR100](#) [72XWR20K](#) [9702-2SL-1](#) [89PHR10K](#) [78SR5K](#) [CT15NV15103M](#) [78SBWR1K](#) [343P10](#) [PT15NH02-104A2020-S](#) [VG039NSNXTB103](#) [PTC15NH05-103A2020](#) [PTC15NV02-104A2020](#) [PTC15LV02-103A2020](#) [PT15GV02-27402](#) [RJ-5EW202](#)
[3292W-1-201M](#) [3362F-1-205LF](#) [3362X-1-272LF](#) [3386H-EY5-202LF](#) [3059Y-1-200LF](#) [3386X-DF6-503LF](#) [3260W-1-500](#) [3329S-1-204LF](#)
[PT10MV10-203A2020-S](#) [PT15NV02-503A2020-E-S](#) [PTC10MV10-472A0505](#) [PV36W103C01B00](#) [PV37X104C01B00](#) [CN-15.1-100K](#) [CN-15.1-22K](#) [CN-15.1-3K3](#) [CN-15.2-10K](#) [CN-15.2-470R](#) [R0141-2-100K](#) [R0141-2-10K](#) [R0141-2-1K](#) [R0141-2-20K](#) [R0141-2-5K](#) [1028F-500K](#)