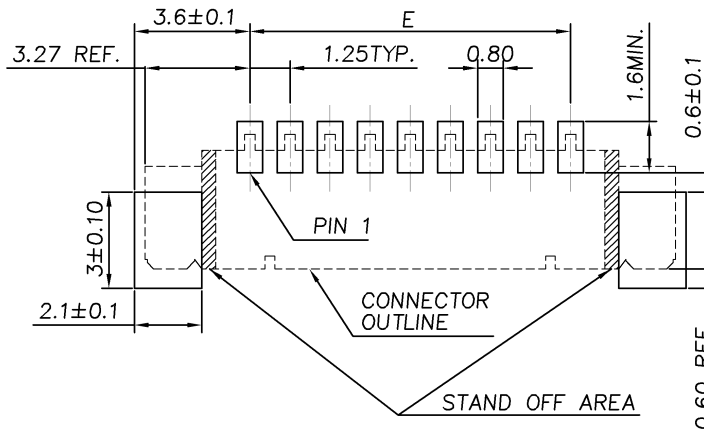
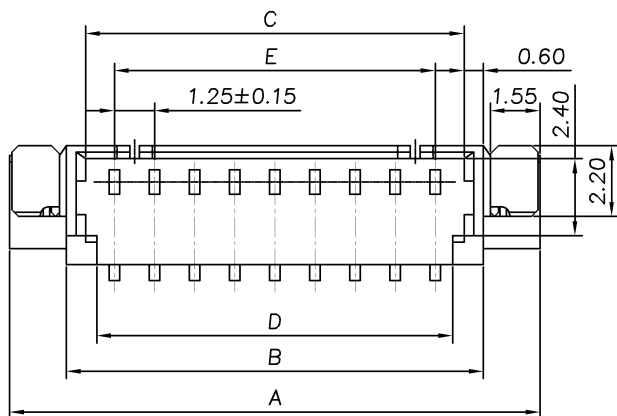
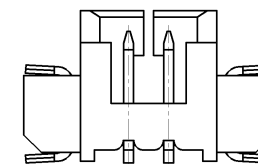


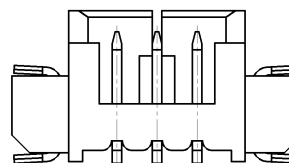
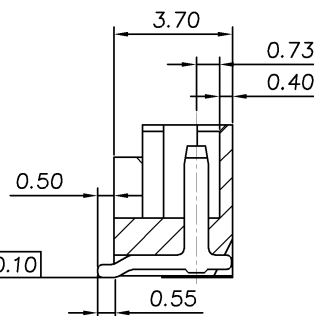
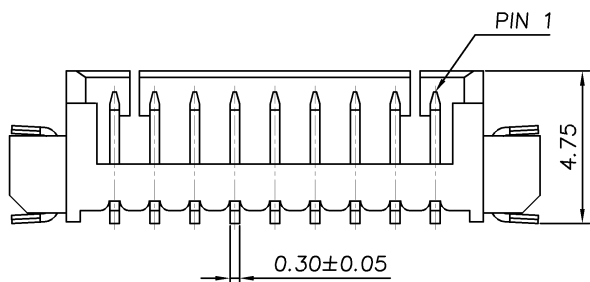
P	LTR	DESCRIPTION	DATE	DWN	APVD
A		REVISED(ECR-11-005410)	15MAR'11	J.C.	W.K.



PCB LAYOUT FOR SURFACE MOUNTING
(TOP VIEW) (TOLERANCE: ±0.05MM)



2 PIN



3 PIN

PLATING	DIMENSION					NO. OF CONTACTS	PART NUMBER
	E	D	C	B	A		
0.762um MIN. GOLD	17.50	18.60	19.30	20.50	24.04	15	4-1734260-5
	16.25	17.35	18.05	19.25	22.79	14	4-1734260-4
	15.00	16.10	16.80	18.00	21.54	13	4-1734260-3
	13.75	14.85	15.55	16.75	20.29	12	4-1734260-2
	12.50	13.60	14.30	15.50	19.04	11	4-1734260-1
	11.25	12.35	13.05	14.25	17.79	10	4-1734260-0
	10.00	11.10	11.80	13.00	16.54	9	3-1734260-9
	8.75	9.85	10.55	11.75	15.29	8	3-1734260-8
	7.50	8.60	9.30	10.50	14.04	7	3-1734260-7
	6.25	7.35	8.05	9.25	12.79	6	3-1734260-6
	5.00	6.10	6.80	8.00	11.54	5	3-1734260-5
	3.75	4.85	5.55	6.75	10.29	4	3-1734260-4
	2.50	3.60	4.30	5.50	9.04	3	3-1734260-3
	1.25	2.35	3.05	4.25	7.79	2	3-1734260-2
	3.81um MIN. MATTE-TIN	17.50	18.60	19.30	20.50	24.04	15
16.25		17.35	18.05	19.25	22.79	14	1-1734260-4
15.00		16.10	16.80	18.00	21.54	13	1-1734260-3
13.75		14.85	15.55	16.75	20.29	12	1-1734260-2
12.50		13.60	14.30	15.50	19.04	11	1-1734260-1
11.25		12.35	13.05	14.25	17.79	10	1-1734260-0
10.00		11.10	11.80	13.00	16.54	9	1734260-9
8.75		9.85	10.55	11.75	15.29	8	1734260-8
7.50		8.60	9.30	10.50	14.04	7	1734260-7
6.25		7.35	8.05	9.25	12.79	6	1734260-6
5.00		6.10	6.80	8.00	11.54	5	1734260-5
3.75		4.85	5.55	6.75	10.29	4	1734260-4
2.50		3.60	4.30	5.50	9.04	3	1734260-3
1.25		2.35	3.05	4.25	7.79	2	1734260-2

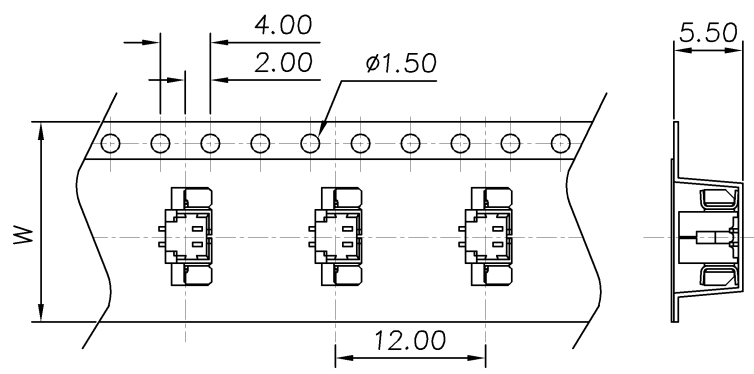
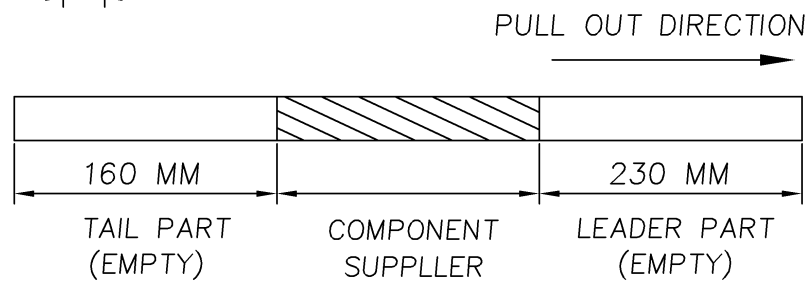
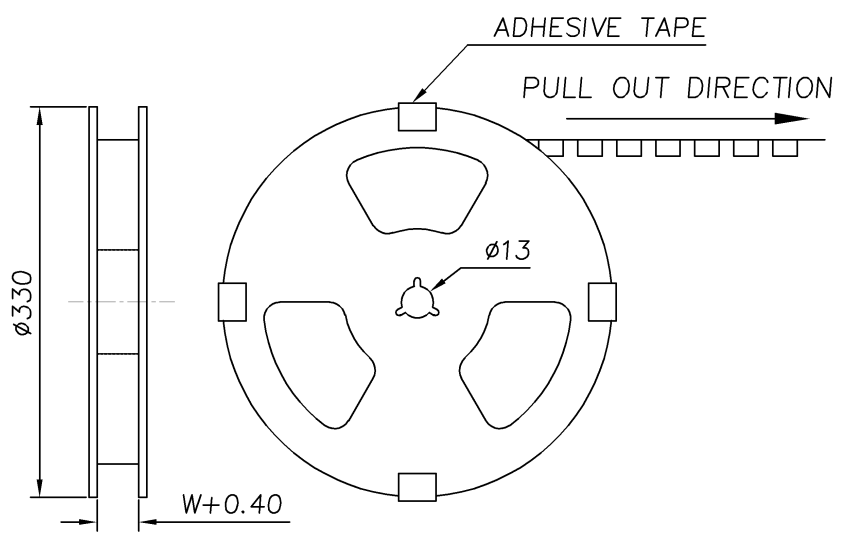
NOTE:

- MATERIAL:
HOUSING: HIGH TEMP. THERMOPLASTIC, UL 94V-0, COLOR: NATURAL.
CONTACTS: PHOSPHOR BRONZE.
TAB: PHOSPHOR BRONZE.
- FINISH:
CONTACTS: (SEE TABLE) OVER 50µ" MIN. NICKEL PLATED.
TAB: 100µ" MIN. MATTE-TIN OVER 50µ" MIN. NICKEL PLATED.
- NO TE LOGO AND DATE CODE ON THE PRODUCT.
- LOCKING WINDOW:
ONE PLACE FOR 2 AND 3 CONTACTS,
TWO PLACES FOR MORE THAN 3 CONTACTS.
- RECOMMENDED PART NUMBER OF CABLE ASSEMBLY:
HOUSING: X-440146-X
CONTACT: 440147-X

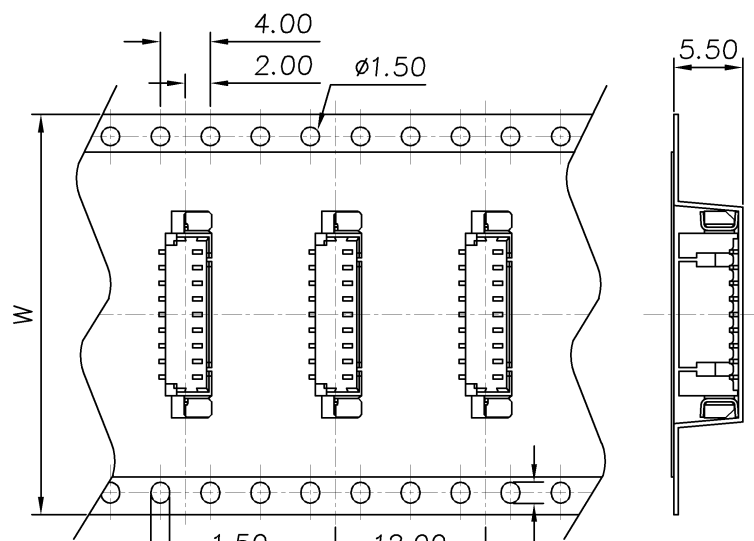
THIS DRAWING IS A CONTROLLED DOCUMENT.		DWN A. WU 29APR2005	TE Connectivity														
DIMENSIONS: MM		CHK S. HOU 29APR2005															
TOLERANCES UNLESS OTHERWISE SPECIFIED:		APVD W.J. KE 29APR2005	NAME														
<table border="1"> <tr> <td>0 PLC</td> <td>± -</td> </tr> <tr> <td>1 PLC</td> <td>± -</td> </tr> <tr> <td>2 PLC</td> <td>± 0.2</td> </tr> <tr> <td>3 PLC</td> <td>± -</td> </tr> <tr> <td>4 PLC</td> <td>± -</td> </tr> <tr> <td>ANGLES</td> <td>± -</td> </tr> </table>		0 PLC	± -	1 PLC	± -	2 PLC	± 0.2	3 PLC	± -	4 PLC	± -	ANGLES	± -	PRODUCT SPEC 108-57499	WIRE TO BOARD MALE HEADER, 1.25MM PITCH, SMT STRAIGHT TYPE.		
0 PLC	± -																
1 PLC	± -																
2 PLC	± 0.2																
3 PLC	± -																
4 PLC	± -																
ANGLES	± -																
MATERIAL SEE NOTE		APPLICATION SPEC	SIZE A3	CAGE CODE 00779	DRAWING NO C=1734260	RESTRICTED TO											
FINISH SEE NOTE		WEIGHT SEE TABLE	CUSTOMER DRAWING		SCALE	SHEET 1 OF 2											
						REV A											

THIS DRAWING IS UNPUBLISHED. RELEASED FOR PUBLICATION AUG ,2006.
 © COPYRIGHT BY TYCO ELECTRONICS CORPORATION. ALL RIGHTS RESERVED.

LOC DW	DIST	REVISIONS			
P	LTR	DESCRIPTION	DATE	DWN	APVD
		SEE SHEET 1.			



CARRIER FOR 2 TO 7 PIN



CARRIER FOR 8 TO 15PIN

NOTE:
 1. CARTON DIMENSIONS: 340 X 340 X 250

1000/REEL	4000	44.0	15	
			14	
			13	
	6000	32.0	12	
			11	
			10	
			9	
	7000	24.0	8	
			7	
			6	
			5	
	10000	16.0	4	
			3	
				2
	PACKING	QUANTITY	DIM W	NO. OF PIN

THIS DRAWING IS A CONTROLLED DOCUMENT.		DWN	STE TE Connectivity		
DIMENSIONS: MM		CHK			
TOLERANCES UNLESS OTHERWISE SPECIFIED:		APVD	NAME		
 0 PLC ± - 1 PLC ± - 2 PLC ± - 3 PLC ± - 4 PLC ± - ANGLES ± -		PRODUCT SPEC	WIRE TO BOARD MALE HEADER, 1.25MM PITCH, SMT STRAIGHT TYPE.		
		APPLICATION SPEC	SIZE	CAGE CODE	DRAWING NO
MATERIAL	FINISH	WEIGHT	A3	00779	C=1734260
CUSTOMER DRAWING			RESTRICTED TO	SCALE	SHEET 2 OF 2
					REV A

X-ON Electronics

Largest Supplier of Electrical and Electronic Components

Click to view similar products for [Headers & Wire Housings](#) category:

Click to view products by [TE Connectivity](#) manufacturer:

Other Similar products are found below :

[892-18-020-10-001101](#) [58102-G61-06LF](#) [582553-1](#) [0009485154](#) [009176003701906](#) [0050291907](#) [LY20-4P-DT1-P1E-BR](#) [02.125.8002.8](#)
[609-3404](#) [61062-3](#) [61082-181009](#) [622-3653LF](#) [63453-116](#) [636-1030](#) [636-1427](#) [636-3427](#) [636-4007](#) [641938-9](#) [641991-4](#) [644827-2](#) [65817-](#)
[010LF](#) [65817-015LF](#) [65863-015LF](#) [66207-023LF](#) [67095-007LF](#) [67601157](#) [68645-018](#) [68648-049](#) [70.362.1628.0](#) [70-4210](#) [70-4226B](#) [70-](#)
[4853B](#) [707-5020](#) [707-5028](#) [71.350.2428.0](#) [71918-208LF](#) [71961-016LF](#) [733-134](#) [733-162](#) [754199-000](#) [760-3052](#) [787-8014-00](#) [79531-3000](#)
[FCN-360C032-B](#) [FCN-367T-T012/H](#) [FCN-723D010/2](#) [80.063.4001.1](#) [800-90-001-10-001000](#) [800-90-010-10-002000](#) [801-43-002-10-013000](#)