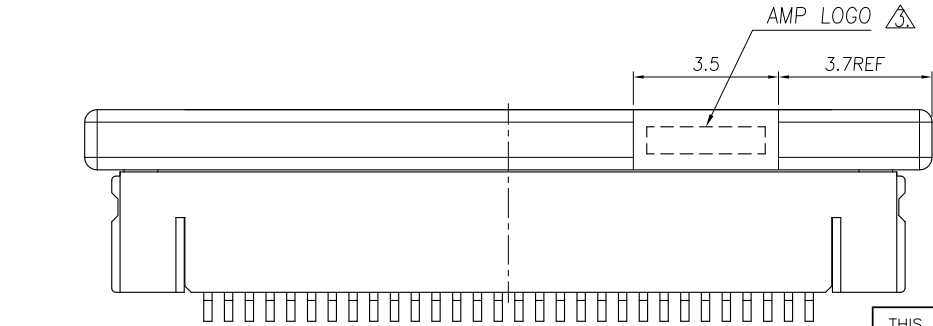
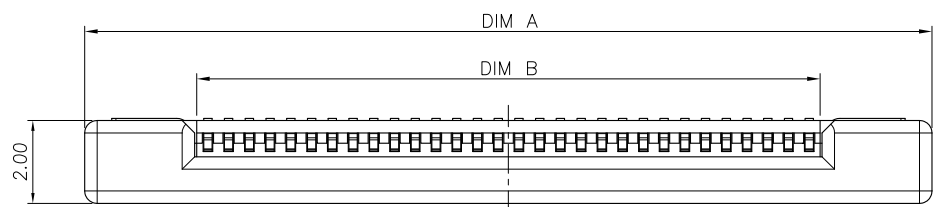
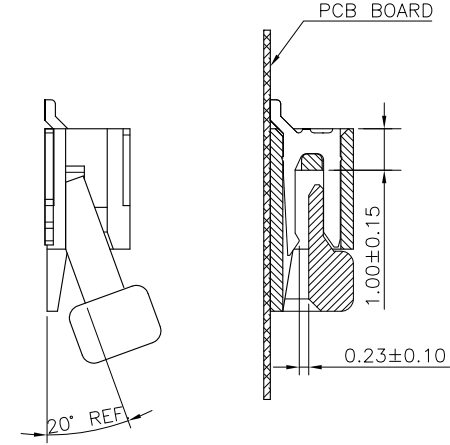
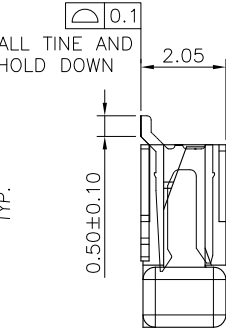
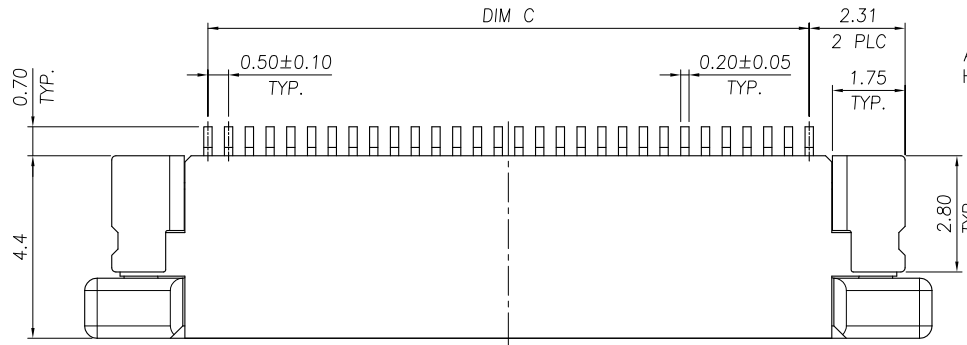


| LOC | DIST | REVISIONS   |                         |         |       |
|-----|------|-------------|-------------------------|---------|-------|
| P   | LTR  | DESCRIPTION | DATE                    | DWN     | APVD  |
| DW  | -    | C           | REVISED (ECR-13-003844) | 04JUN13 | JL WK |



NOTE:  
 1. MATERIAL:  
 HOUSING: THERMOPLASTIC(LCP),  
 UL 94V-0, COLOR: NATURE.  
 ACTUATOR: THERMOPLASTIC, UL 94 V-0,  
 COLOR: IVORY.  
 HOLD DOWN: PHOSPHOR BRONZE.  
 CONTACT: PHOSPHOR BRONZE.  
 2. FINISH:  
 CONTACT: GOLD FLASH OVER ALL,  
 50u" MIN. NICKEL UNDERPLATED ALL OVER.  
 HOLD DOWN: 100u" MIN. BRIGHT TIN PLATING OVER,  
 50u" MIN. NICKEL UNDERPLATED ALL OVER.  
 ▲ WITHOUT AMP LOGO FOR 12 POSITION UNDER

|            |       |       |      |             |
|------------|-------|-------|------|-------------|
| 24.50      | 25.60 | 30.43 | 50   | 5-1734592-0 |
| 24.00      | 25.10 | 29.93 | 49   | 4-1734592-9 |
| 23.50      | 24.60 | 29.43 | 48   | 4-1734592-8 |
| 23.00      | 24.10 | 28.93 | 47   | 4-1734592-7 |
| 22.50      | 23.60 | 28.43 | 46   | 4-1734592-6 |
| 22.00      | 23.10 | 27.63 | 45   | 4-1734592-5 |
| 21.50      | 22.60 | 27.43 | 44   | 4-1734592-4 |
| 21.00      | 22.10 | 26.93 | 43   | 4-1734592-3 |
| 20.50      | 21.60 | 26.43 | 42   | 4-1734592-2 |
| 20.00      | 21.10 | 25.93 | 41   | 4-1734592-1 |
| 19.50      | 20.60 | 25.43 | 40   | 4-1734592-0 |
| 19.00      | 20.10 | 24.93 | 39   | 3-1734592-9 |
| 18.50      | 19.60 | 24.43 | 38   | 3-1734592-8 |
| 18.00      | 19.10 | 23.93 | 37   | 3-1734592-7 |
| 17.50      | 18.60 | 23.43 | 36   | 3-1734592-6 |
| 17.00      | 18.10 | 22.93 | 35   | 3-1734592-5 |
| 16.50      | 17.60 | 22.43 | 34   | 3-1734592-4 |
| 16.00      | 17.10 | 21.93 | 33   | 3-1734592-3 |
| 15.50      | 16.60 | 21.43 | 32   | 3-1734592-2 |
| 15.00      | 16.10 | 20.93 | 31   | 3-1734592-1 |
| 14.50      | 15.60 | 20.43 | 30   | 3-1734592-0 |
| 14.00      | 15.10 | 19.93 | 29   | 2-1734592-9 |
| 13.50      | 14.60 | 19.43 | 28   | 2-1734592-8 |
| 13.00      | 14.10 | 18.93 | 27   | 2-1734592-7 |
| 12.50      | 13.60 | 18.43 | 26   | 2-1734592-6 |
| 12.00      | 13.10 | 17.93 | 25   | 2-1734592-5 |
| 11.50      | 12.60 | 17.43 | 24   | 2-1734592-4 |
| 11.00      | 12.10 | 16.93 | 23   | 2-1734592-3 |
| 10.50      | 11.60 | 16.43 | 22   | 2-1734592-2 |
| 10.00      | 11.10 | 15.93 | 21   | 2-1734592-1 |
| 9.50       | 10.60 | 15.43 | 20   | 2-1734592-0 |
| 9.00       | 10.10 | 14.93 | 19   | 1-1734592-9 |
| 8.50       | 9.60  | 14.43 | 18   | 1-1734592-8 |
| 8.00       | 9.10  | 13.93 | 17   | 1-1734592-7 |
| 7.50       | 8.60  | 13.43 | 16   | 1-1734592-6 |
| 7.00       | 8.10  | 12.93 | 15   | 1-1734592-5 |
| 6.50       | 7.60  | 12.43 | 14   | 1-1734592-4 |
| 6.00       | 7.10  | 11.93 | 13   | 1-1734592-3 |
| 5.50       | 6.60  | 11.43 | 12   | 1-1734592-2 |
| 5.00       | 6.10  | 10.93 | 11   | 1-1734592-1 |
| 4.50       | 5.60  | 10.43 | 10   | 1-1734592-0 |
| 4.00       | 5.10  | 9.93  | 09   | 0-1734592-9 |
| 3.50       | 4.60  | 9.43  | 08   | 0-1734592-8 |
| 3.00       | 4.10  | 8.93  | 07   | 0-1734592-7 |
| 2.50       | 3.60  | 8.43  | 06   | 0-1734592-6 |
| 2.00       | 3.10  | 7.93  | 05   | 0-1734592-5 |
| C          | B     | A     | POS. | PART NUMBER |
| DIMENSIONS |       |       |      |             |

|   |                    |                                |   |       |           |       |        |       |     |       |     |        |      |  |      |           |            |               |
|---|--------------------|--------------------------------|---|-------|-----------|-------|--------|-------|-----|-------|-----|--------|------|--|------|-----------|------------|---------------|
| THIS DRAWING IS A CONTROLLED DOCUMENT.  |                    | DWN<br>J. LAI<br>15APR2009     | <b>STE</b> TE Connectivity                            |       |           |       |        |       |     |       |     |        |      |  |      |           |            |               |
|   |                    | CHK<br>S. CHIEN<br>15APR2009   |   |       |           |       |        |       |     |       |     |        |      |  |      |           |            |               |
| DIMENSIONS:<br>MM   |                    | APVD<br>W. KODAMA<br>15APR2009 | NAME  |       |           |       |        |       |     |       |     |        |      |  |      |           |            |               |
| TOLERANCES UNLESS OTHERWISE SPECIFIED:  |                    | PRODUCT SPEC<br>108-57523      | FPC CONNECTOR, 0.5mm PITCH, BOTTOM CONTACT, SMT TYPE. |       |           |       |        |       |     |       |     |        |      |  |      |           |            |               |
| <table border="0"> <tr><td>0 PLC</td><td>± -</td></tr> <tr><td>1 PLC</td><td>± 0.35</td></tr> <tr><td>2 PLC</td><td>± 0.25</td></tr> <tr><td>3 PLC</td><td>± -</td></tr> <tr><td>4 PLC</td><td>± -</td></tr> <tr><td>ANGLES</td><td>± 3°</td></tr> </table> |                    | 0 PLC                          | ± -   | 1 PLC | ± 0.35    | 2 PLC | ± 0.25 | 3 PLC | ± - | 4 PLC | ± - | ANGLES | ± 3° | QUALIFICATION TEST REPORT<br>501-57598 | SIZE | CAGE CODE | DRAWING NO | RESTRICTED TO |
| 0 PLC   | ± -                |                                |   |       |           |       |        |       |     |       |     |        |      |  |      |           |            |               |
| 1 PLC   | ± 0.35             |                                |   |       |           |       |        |       |     |       |     |        |      |  |      |           |            |               |
| 2 PLC   | ± 0.25             |                                |   |       |           |       |        |       |     |       |     |        |      |  |      |           |            |               |
| 3 PLC   | ± -                |                                |   |       |           |       |        |       |     |       |     |        |      |  |      |           |            |               |
| 4 PLC   | ± -                |                                |   |       |           |       |        |       |     |       |     |        |      |  |      |           |            |               |
| ANGLES  | ± 3°               |                                |   |       |           |       |        |       |     |       |     |        |      |  |      |           |            |               |
| MATERIAL<br>SEE NOTE  | FINISH<br>SEE NOTE | WEIGHT<br>- GRAMS              | A3  | 00779 | C=1734592 | -     |        |       |     |       |     |        |      |  |      |           |            |               |
| CUSTOMER DRAWING  |                    |                                | SCALE   | SHEET | 1 OF 3    | REV C |        |       |     |       |     |        |      |  |      |           |            |               |

4

3

2

1

THIS DRAWING IS UNPUBLISHED.

RELEASED FOR PUBLICATION

AUG ,2006.

© COPYRIGHT BY TYCO ELECTRONICS CORPORATION.

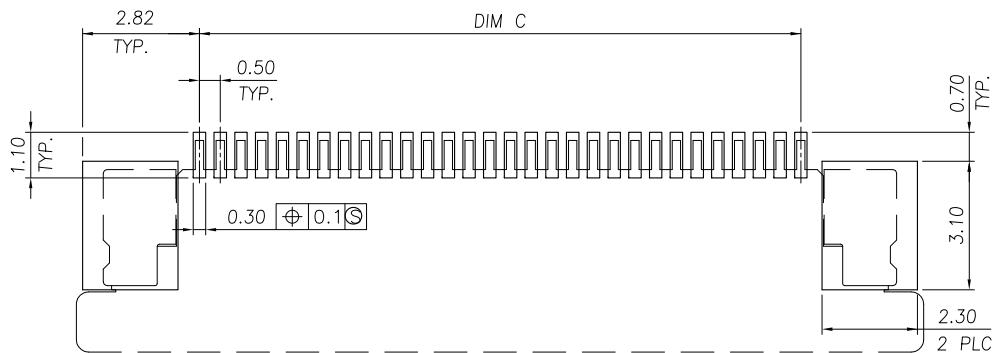
ALL RIGHTS RESERVED.

LOC DW

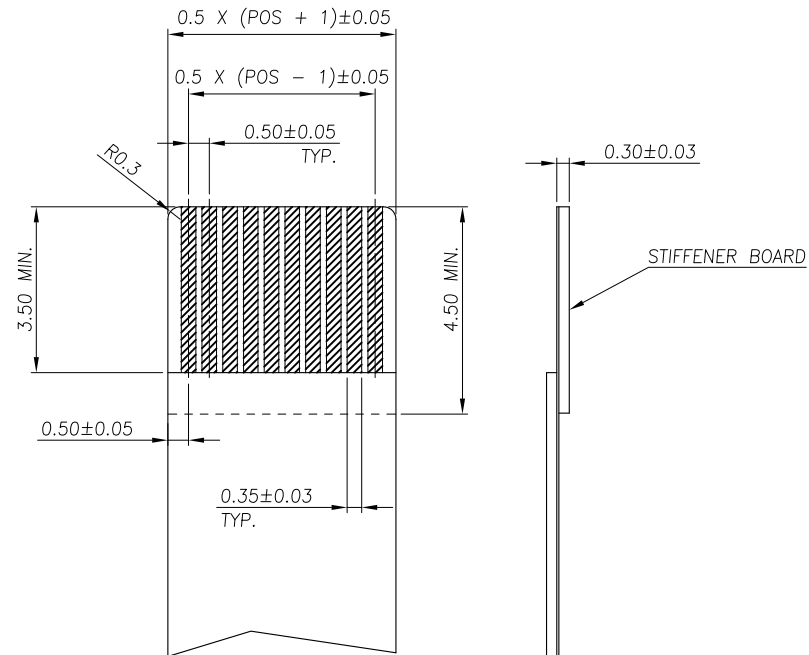
DIST

REVISIONS

| P | LTR | DESCRIPTION  | DATE | DWN | APVD |
|---|-----|--------------|------|-----|------|
|   |     | SEE SHEET 1. |      |     |      |



RECOMMENDED PCB DIMENSIONS DIAGRAM  
TOLERANCE ± 0.05



RECOMMENDED FPC DIMENSIONS DIAGRAM  
TOLERANCE ± 0.05

|  |  |                  |   |               |
|--|--|------------------|---|---------------|
| THIS DRAWING IS A CONTROLLED DOCUMENT. |  | DWN              | <b>STE</b> TE Connectivity                            |               |
|  |  | CHK              |   |               |
| DIMENSIONS:<br>MM                      | TOLERANCES UNLESS OTHERWISE SPECIFIED: | APVD             | NAME  |               |
|  | 0 PLC ± -                              | PRODUCT SPEC     | FPC CONNECTOR, 0.5mm PITCH, BOTTOM CONTACT, SMT TYPE. |               |
|  | 1 PLC ± 0.35                           | APPLICATION SPEC | SIZE  | CAGE CODE     |
|  | 2 PLC ± 0.25                           |                  | A3  | 00779         |
|  | 3 PLC ± -                              |                  | DRAWING NO  |               |
| 4 PLC ± -                              | ANGLES ± 3°                            | WEIGHT           | G=1734592   |               |
| MATERIAL                               | FINISH                                 | CUSTOMER DRAWING |   | RESTRICTED TO |
|  |  | SCALE            | SHEET   | REV           |
|  |  |                  | 2 OF 3  | C             |

| LOC          | DIST | REVISIONS   |      |     |      |
|--------------|------|-------------|------|-----|------|
| P            | LTR  | DESCRIPTION | DATE | DWN | APVD |
| SEE SHEET 1. |      |             |      |     |      |



- NOTE :
1. TAPE REEL:  
DIAMETER: 13", THICKNESS : 0.35±0.05mm.
  2. CARTON:  
SIZE: 350mm(L)X 350mm(W)X 340mm(H).

| APQ (PCS/CARTON) | PPQ (PCS/REEL) | DIMENSIONS |       |       |       | POS. |
|------------------|----------------|------------|-------|-------|-------|------|
|                  |                | D          | C     | B     | A     |      |
| 12000            | 2000           | 44.00      | 26.70 | 30.55 | 31.50 | 50   |
|                  |                | 44.00      | 26.20 | 30.05 | 31.00 | 49   |
|                  |                | 44.00      | 25.70 | 29.55 | 30.50 | 48   |
|                  |                | 44.00      | 25.20 | 29.05 | 30.00 | 47   |
|                  |                | 44.00      | 24.70 | 28.55 | 29.50 | 46   |
|                  |                | 44.00      | 24.20 | 28.05 | 29.00 | 45   |
|                  |                | 44.00      | 23.70 | 27.55 | 28.50 | 44   |
|                  |                | 44.00      | 23.20 | 27.05 | 28.00 | 43   |
|                  |                | 44.00      | 22.70 | 26.55 | 27.50 | 42   |
|                  |                | 44.00      | 22.20 | 26.05 | 27.00 | 41   |
|                  |                | 44.00      | 21.70 | 25.55 | 26.50 | 40   |
|                  |                | 44.00      | 21.20 | 25.05 | 26.00 | 39   |
| 44.00            | 20.70          | 24.55      | 25.50 | 38    |       |      |
| 44.00            | 20.20          | 24.05      | 25.00 | 37    |       |      |
| 44.00            | 19.70          | 23.55      | 24.50 | 36    |       |      |
| 44.00            | 19.20          | 23.05      | 24.00 | 35    |       |      |
| 44.00            | 18.70          | 22.55      | 23.50 | 34    |       |      |
| 44.00            | 18.20          | 22.05      | 23.00 | 33    |       |      |
| 44.00            | 17.70          | 21.55      | 22.50 | 32    |       |      |
| 44.00            | 17.20          | 21.05      | 22.00 | 31    |       |      |
| 32.00            | 16.70          | 20.55      | 21.50 | 30    |       |      |
| 32.00            | 16.20          | 20.05      | 21.00 | 29    |       |      |
| 32.00            | 15.70          | 19.55      | 20.50 | 28    |       |      |
| 32.00            | 15.20          | 19.05      | 20.00 | 27    |       |      |
| 32.00            | 14.70          | 18.55      | 19.50 | 26    |       |      |
| 32.00            | 14.20          | 18.05      | 19.00 | 25    |       |      |
| 32.00            | 13.70          | 17.55      | 18.50 | 24    |       |      |
| 32.00            | 13.20          | 17.05      | 18.00 | 23    |       |      |
| 32.00            | 12.70          | 16.55      | 17.50 | 22    |       |      |
| 32.00            | 12.20          | 16.05      | 17.00 | 21    |       |      |
| 24.00            | 11.70          | 15.55      | 16.50 | 20    |       |      |
| 24.00            | 11.20          | 15.05      | 16.00 | 19    |       |      |
| 24.00            | 10.70          | 14.55      | 15.50 | 18    |       |      |
| 24.00            | 10.20          | 14.05      | 15.00 | 17    |       |      |
| 24.00            | 9.70           | 13.55      | 14.50 | 16    |       |      |
| 24.00            | 9.20           | 13.05      | 14.00 | 15    |       |      |
| 24.00            | 8.70           | 12.55      | 13.50 | 14    |       |      |
| 24.00            | 8.20           | 12.05      | 13.00 | 13    |       |      |
| 24.00            | 7.70           | 11.55      | 12.50 | 12    |       |      |
| 24.00            | 7.20           | 11.05      | 12.00 | 11    |       |      |
| 24.00            | 6.70           | 10.55      | 11.50 | 10    |       |      |
| 24.00            | 6.20           | 10.05      | 11.00 | 09    |       |      |
| 24.00            | 5.70           | 9.55       | 10.50 | 08    |       |      |
| 24.00            | 5.20           | 9.05       | 10.00 | 07    |       |      |
| 24.00            | 4.70           | 8.55       | 9.50  | 06    |       |      |
| 24.00            | 4.20           | 8.05       | 9.00  | 05    |       |      |

THIS DRAWING IS A CONTROLLED DOCUMENT.

|  |   |       |                 |       |     |       |     |       |     |       |     |        |     |  |     |      |              |                  |        |                  |  |      |   |      |    |           |       |            |           |               |
|--|---|-------|-----------------|-------|-----|-------|-----|-------|-----|-------|-----|--------|-----|--|-----|------|--------------|------------------|--------|------------------|--|------|---|------|----|-----------|-------|------------|-----------|---------------|
| DIMENSIONS: MM   | TOLERANCES UNLESS OTHERWISE SPECIFIED:                | DWN   | TE Connectivity |       |     |       |     |       |     |       |     |        |     |  |     |      |              |                  |        |                  |  |      |   |      |    |           |       |            |           |               |
| <table border="1"> <tr><td>0 PLC</td><td>± -</td></tr> <tr><td>1 PLC</td><td>± -</td></tr> <tr><td>2 PLC</td><td>± -</td></tr> <tr><td>3 PLC</td><td>± -</td></tr> <tr><td>4 PLC</td><td>± -</td></tr> <tr><td>ANGLES</td><td>± -</td></tr> </table> | 0 PLC   | ± -   |                 | 1 PLC | ± - | 2 PLC | ± - | 3 PLC | ± - | 4 PLC | ± - | ANGLES | ± - | <table border="1"> <tr><td>CHK</td><td>APVD</td></tr> <tr><td>PRODUCT SPEC</td><td>APPLICATION SPEC</td></tr> <tr><td>WEIGHT</td><td>CUSTOMER DRAWING</td></tr> </table> | CHK | APVD | PRODUCT SPEC | APPLICATION SPEC | WEIGHT | CUSTOMER DRAWING | <table border="1"> <tr><td>NAME</td><td>FPC CONNECTOR, 0.5mm PITCH, BOTTOM CONTACT, SMT TYPE.</td></tr> <tr><td>SIZE</td><td>A3</td></tr> <tr><td>CAGE CODE</td><td>00779</td></tr> <tr><td>DRAWING NO</td><td>C=1734592</td></tr> <tr><td>RESTRICTED TO</td><td></td></tr> </table> | NAME | FPC CONNECTOR, 0.5mm PITCH, BOTTOM CONTACT, SMT TYPE. | SIZE | A3 | CAGE CODE | 00779 | DRAWING NO | C=1734592 | RESTRICTED TO |
| 0 PLC  | ± -   |       |                 |       |     |       |     |       |     |       |     |        |     |  |     |      |              |                  |        |                  |  |      |   |      |    |           |       |            |           |               |
| 1 PLC  | ± -   |       |                 |       |     |       |     |       |     |       |     |        |     |  |     |      |              |                  |        |                  |  |      |   |      |    |           |       |            |           |               |
| 2 PLC  | ± -   |       |                 |       |     |       |     |       |     |       |     |        |     |  |     |      |              |                  |        |                  |  |      |   |      |    |           |       |            |           |               |
| 3 PLC  | ± -   |       |                 |       |     |       |     |       |     |       |     |        |     |  |     |      |              |                  |        |                  |  |      |   |      |    |           |       |            |           |               |
| 4 PLC  | ± -   |       |                 |       |     |       |     |       |     |       |     |        |     |  |     |      |              |                  |        |                  |  |      |   |      |    |           |       |            |           |               |
| ANGLES   | ± -   |       |                 |       |     |       |     |       |     |       |     |        |     |  |     |      |              |                  |        |                  |  |      |   |      |    |           |       |            |           |               |
| CHK  | APVD  |       |                 |       |     |       |     |       |     |       |     |        |     |  |     |      |              |                  |        |                  |  |      |   |      |    |           |       |            |           |               |
| PRODUCT SPEC   | APPLICATION SPEC                                      |       |                 |       |     |       |     |       |     |       |     |        |     |  |     |      |              |                  |        |                  |  |      |   |      |    |           |       |            |           |               |
| WEIGHT   | CUSTOMER DRAWING                                      |       |                 |       |     |       |     |       |     |       |     |        |     |  |     |      |              |                  |        |                  |  |      |   |      |    |           |       |            |           |               |
| NAME   | FPC CONNECTOR, 0.5mm PITCH, BOTTOM CONTACT, SMT TYPE. |       |                 |       |     |       |     |       |     |       |     |        |     |  |     |      |              |                  |        |                  |  |      |   |      |    |           |       |            |           |               |
| SIZE   | A3  |       |                 |       |     |       |     |       |     |       |     |        |     |  |     |      |              |                  |        |                  |  |      |   |      |    |           |       |            |           |               |
| CAGE CODE  | 00779   |       |                 |       |     |       |     |       |     |       |     |        |     |  |     |      |              |                  |        |                  |  |      |   |      |    |           |       |            |           |               |
| DRAWING NO   | C=1734592   |       |                 |       |     |       |     |       |     |       |     |        |     |  |     |      |              |                  |        |                  |  |      |   |      |    |           |       |            |           |               |
| RESTRICTED TO  |   |       |                 |       |     |       |     |       |     |       |     |        |     |  |     |      |              |                  |        |                  |  |      |   |      |    |           |       |            |           |               |
| MATERIAL   | FINISH  | SCALE | SHEET 3 OF 3    |       |     |       |     |       |     |       |     |        |     |  |     |      |              |                  |        |                  |  |      |   |      |    |           |       |            |           |               |

## X-ON Electronics

Largest Supplier of Electrical and Electronic Components

*Click to view similar products for [FFC & FPC Connectors](#) category:*

*Click to view products by [TE Connectivity](#) manufacturer:*

Other Similar products are found below :

[FPH-1422G](#) [FPH-1602G](#) [K-FC20](#) [FH29B-80S-0.2SHW\(99\)](#) [FPH-2022G](#) [AYF332735](#) [52610-1075](#) [52610-1275](#) [52610-1934](#) [501864-3091-TR225](#) [086222026001800](#) [52610-0675](#) [62684-36210E9ALF](#) [52746-1671-TR250](#) [10051922-2810EHLF](#) [6-520415-9](#) [SFV6R-1STE9HLF](#) [XF3M-2915-1B-R100](#) [1658549-1](#) [AYF534065TA](#) [AYF351525](#) [086212040340800+](#) [AYF530365TA](#) [67000-014LF](#) [67000-004LF](#) [006207341915000+](#) [DS1020-19RT1D](#) [67000-003LF](#) [67000-011LF](#) [67000-016LF](#) [HFW14R-2STE9LF](#) [SFV32R-2STBE9HLF](#) [SFW12R-5STE9LF](#) [SFW18R-1STAE9LF](#) [SFW4R-5STE9LF](#) [52807-0430](#) [046283021002868+](#) [THD1015-8CL-SN](#) [67000-006LF](#) [502250-8027](#) [104267-9617](#) [66987-011LF](#) [AYF362535](#) [F0501-T-50-20T-R](#) [F1003-ZV-12-25T-R](#) [HFW8S-2STAE1HLF](#) [67000-008LF](#) [67000-012LF](#) [ECC576069EU](#) [F1002-B-20-20T-R](#)