

4

3

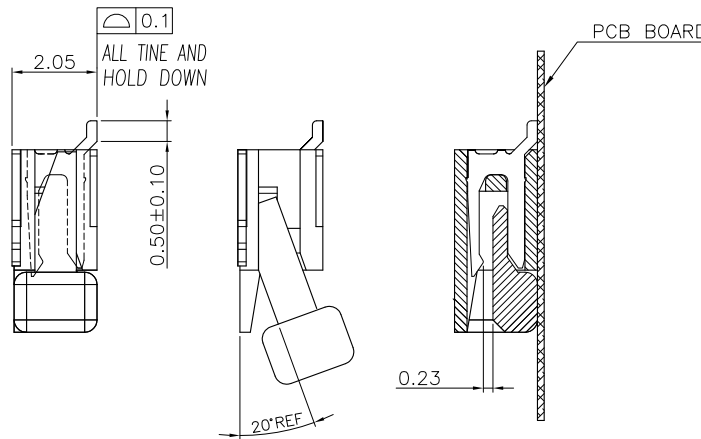
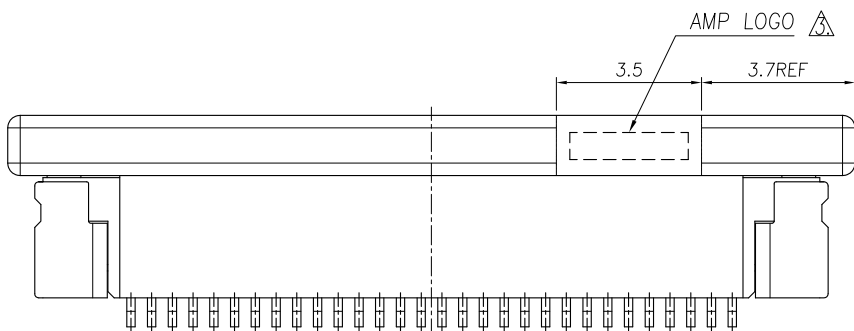
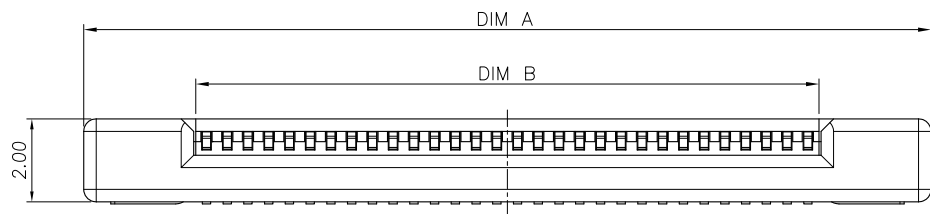
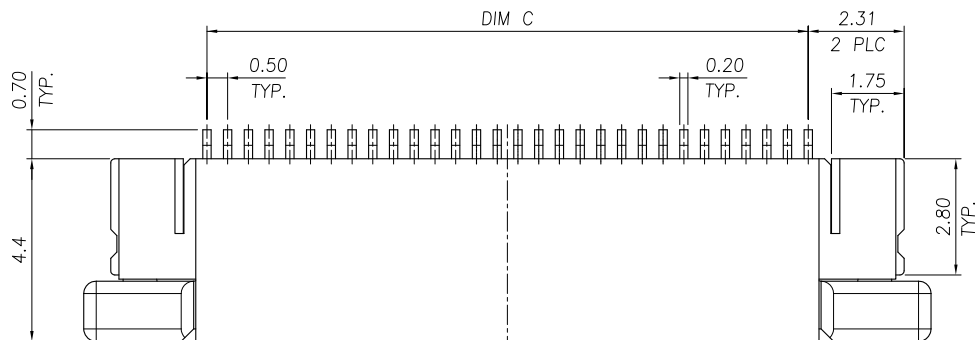
2

1

THIS DRAWING IS UNPUBLISHED. RELEASED FOR PUBLICATION AUG, 2006.

© COPYRIGHT BY TYCO ELECTRONICS CORPORATION. ALL RIGHTS RESERVED.

LOC	DIST	REVISIONS			
P	LTR	DESCRIPTION	DATE	DWN	APVD
DW	-	C	REVISED (ECR-13-003844)	22APR13	JL WK



24.50	25.60	30.43	50	5-1734839-0
24.00	25.10	29.93	49	4-1734839-9
23.50	24.60	29.43	48	4-1734839-8
23.00	24.10	28.93	47	4-1734839-7
22.50	23.60	28.43	46	4-1734839-6
22.00	23.10	27.63	45	4-1734839-5
21.50	22.60	27.43	44	4-1734839-4
21.00	22.10	26.93	43	4-1734839-3
20.50	21.60	26.43	42	4-1734839-2
20.00	21.10	25.93	41	4-1734839-1
19.50	20.60	25.43	40	4-1734839-0
19.00	20.10	24.93	39	3-1734839-9
18.50	19.60	24.43	38	3-1734839-8
18.00	19.10	23.93	37	3-1734839-7
17.50	18.60	23.43	36	3-1734839-6
17.00	18.10	22.93	35	3-1734839-5
16.50	17.60	22.43	34	3-1734839-4
16.00	17.10	21.93	33	3-1734839-3
15.50	16.60	21.43	32	3-1734839-2
15.00	16.10	20.93	31	3-1734839-1
14.50	15.60	20.43	30	3-1734839-0
14.00	15.10	19.93	29	2-1734839-9
13.50	14.60	19.43	28	2-1734839-8
13.00	14.10	18.93	27	2-1734839-7
12.50	13.60	18.43	26	2-1734839-6
12.00	13.10	17.93	25	2-1734839-5
11.50	12.60	17.43	24	2-1734839-4
11.00	12.10	16.93	23	2-1734839-3
10.50	11.60	16.43	22	2-1734839-2
10.00	11.10	15.93	21	2-1734839-1
9.50	10.60	15.43	20	2-1734839-0
9.00	10.10	14.93	19	1-1734839-9
8.50	9.60	14.43	18	1-1734839-8
8.00	9.10	13.93	17	1-1734839-7
7.50	8.60	13.43	16	1-1734839-6
7.00	8.10	12.93	15	1-1734839-5
6.50	7.60	12.43	14	1-1734839-4
6.00	7.10	11.93	13	1-1734839-3
5.50	6.60	11.43	12	1-1734839-2
5.00	6.10	10.93	11	1-1734839-1
4.50	5.60	10.43	10	1-1734839-0
4.00	5.10	9.93	09	0-1734839-9
3.50	4.60	9.43	08	0-1734839-8
3.00	4.10	8.93	07	0-1734839-7
2.50	3.60	8.43	06	0-1734839-6
2.00	3.10	7.93	05	0-1734839-5
C	B	A	POS.	PART NUMBER
DIMENSIONS				

NOTE:

- MATERIAL:  
HOUSING: HIGH TEMP. THERMOPLASTIC, UL 94V-0, COLOR: NATURE.  
ACTUATOR: THERMOPLASTIC, UL 94 V-0, COLOR: IVORY.  
HOLD DOWN: PHOSPHOR BRONZE.  
CONTACT: PHOSPHOR BRONZE.
- FINISH:  
CONTACT: GOLD FLASH OVER ALL  
50" MIN. NICKEL UNDERPLATED.  
HOLD DOWN: 100u" MIN. TIN PLATING ON SOLDER AREA,  
50u" MIN. NICKEL UNDERPLATED ALL OVER.  
⚠ WITHOUT AMP LOGO FOR 12 POSITION UNDER.

THIS DRAWING IS A CONTROLLED DOCUMENT.		DWN J. LAI 15APR2009	<b>STE</b> TE Connectivity		
DIMENSIONS: MM		CHK S. CHIEN 15APR2009			
TOLERANCES UNLESS OTHERWISE SPECIFIED:		APVD W. KODAMA 15APR2009	NAME		
		PRODUCT SPEC 108-57523	FPC CONNECTOR, 0.5mm PITCH, TOP CONTACT, SMT TYPE.		
MATERIAL SEE NOTE		QUALIFICATION TEST REPORT 501-57598	SIZE A3	CAGE CODE 00779	DRAWING NO C=1734839
FINISH SEE NOTE		WEIGHT - GRAMS	RESTRICTED TO	SCALE -	SHEET 1 OF 3
CUSTOMER DRAWING			REV C		

THIS DRAWING IS UNPUBLISHED.

RELEASED FOR PUBLICATION

AUG ,2006.

© COPYRIGHT BY TYCO ELECTRONICS CORPORATION.

ALL RIGHTS RESERVED.

LOC DW

DIST

REVISIONS

P

LTR

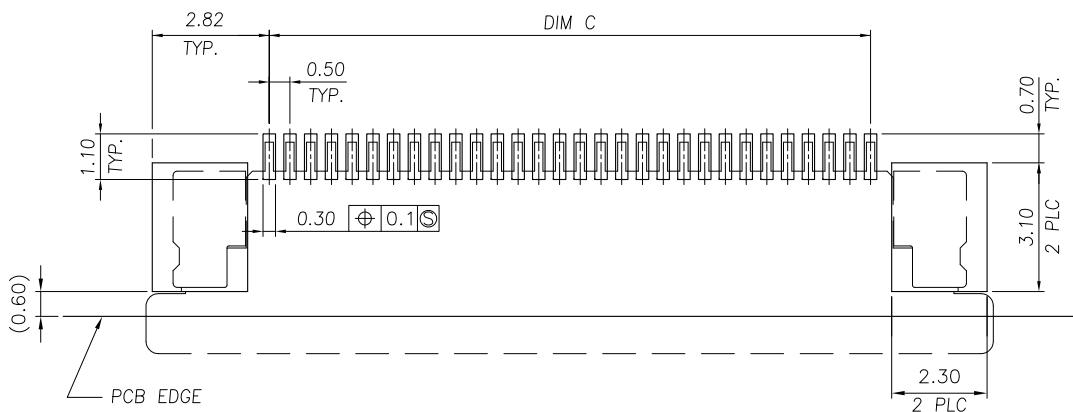
DESCRIPTION

DATE

DWN

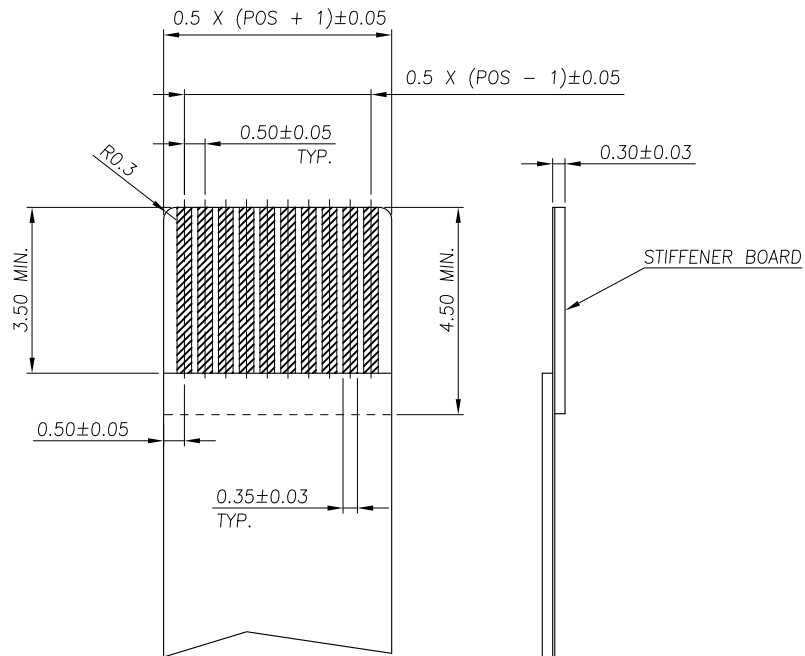
APVD

SEE SHEET 1.



RECOMMENDED PCB DIMENSIONS DIAGRAM

TOLERANCE: ±0.05



RECOMMENDED FPC DIMENSIONS DIAGRAM

THIS DRAWING IS A CONTROLLED DOCUMENT.

DWN

CHK

APVD

PRODUCT SPEC

APPLICATION SPEC

WEIGHT

CUSTOMER DRAWING

STE TE Connectivity

NAME

FPC CONNECTOR, 0.5mm PITCH, TOP CONTACT, SMT TYPE.

SIZE

CAGE CODE

DRAWING NO

RESTRICTED TO

A3

00779

C=1734839

SCALE

SHEET

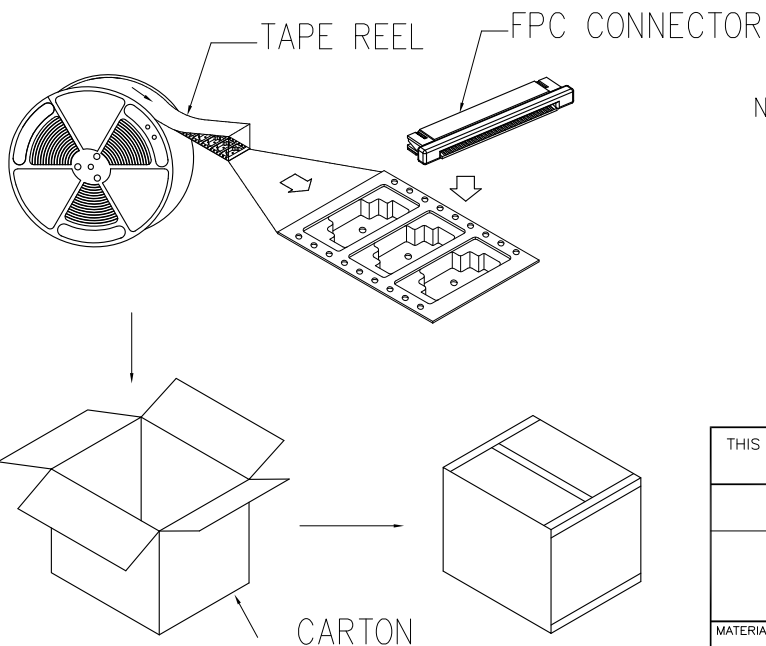
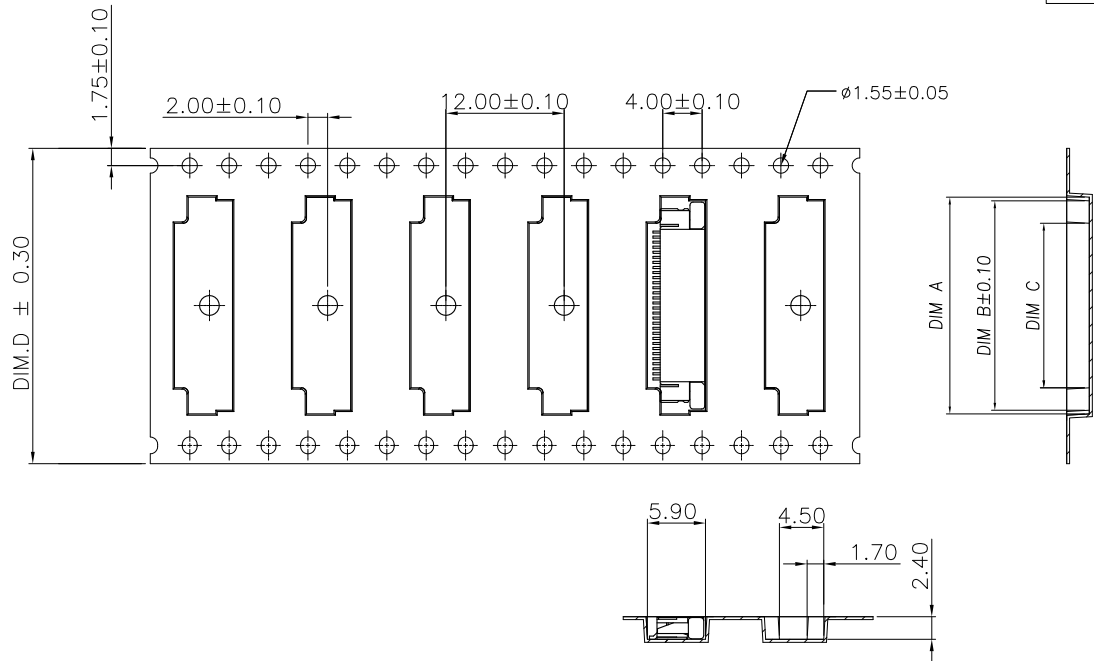
2 OF 3

REV C

THIS DRAWING IS UNPUBLISHED. RELEASED FOR PUBLICATION AUG, 2006.

© COPYRIGHT BY TYCO ELECTRONICS CORPORATION. ALL RIGHTS RESERVED.

LOC		DIST		REVISIONS			
P	LTR	DESCRIPTION	DATE	DWN	APVD		
SEE SHEET 1.							



NOTE :

1. TAPE REEL:  
DIAMETER: 13", THICKNESS : 0.35±0.05mm.
2. CARTON:  
SIZE: 350mm(L)X 350mm(W)X 340mm(H).
3. WEIGHT:  
NET WEIGHT: 7.5kg  
GROSS WEIGHT: 13.4kg

APQ (PCS/CARTON)	PPQ (PCS/REEL)	D	C	B	A	POS.	PART NUMBER
44.00	26.70	30.55	31.50	50	5	5-1734839-0	
44.00	26.20	30.05	31.00	49	4	4-1734839-9	
44.00	25.70	29.55	30.50	48	4	4-1734839-8	
44.00	25.20	29.05	30.00	47	4	4-1734839-7	
44.00	24.70	28.55	29.50	46	4	4-1734839-6	
44.00	24.20	28.05	29.00	45	4	4-1734839-5	
44.00	23.70	27.55	28.50	44	4	4-1734839-4	
44.00	23.20	27.05	28.00	43	4	4-1734839-3	
44.00	22.70	26.55	27.50	42	4	4-1734839-2	
44.00	22.20	26.05	27.00	41	4	4-1734839-1	
44.00	21.70	25.55	26.50	40	4	4-1734839-0	
44.00	21.20	25.05	26.00	39	3	3-1734839-9	
44.00	20.70	24.55	25.50	38	3	3-1734839-8	
44.00	20.20	24.05	25.00	37	3	3-1734839-7	
44.00	19.70	23.55	24.50	36	3	3-1734839-6	
44.00	19.20	23.05	24.00	35	3	3-1734839-5	
44.00	18.70	22.55	23.50	34	3	3-1734839-4	
44.00	18.20	22.05	23.00	33	3	3-1734839-3	
44.00	17.70	21.55	22.50	32	3	3-1734839-2	
44.00	17.20	21.05	22.00	31	3	3-1734839-1	
32.00	16.70	20.55	21.50	30	3	3-1734839-0	
32.00	16.20	20.05	21.00	29	2	2-1734839-9	
32.00	15.70	19.55	20.50	28	2	2-1734839-8	
32.00	15.20	19.05	20.00	27	2	2-1734839-7	
32.00	14.70	18.55	19.50	26	2	2-1734839-6	
32.00	14.20	18.05	19.00	25	2	2-1734839-5	
32.00	13.70	17.55	18.50	24	2	2-1734839-4	
32.00	13.20	17.05	18.00	23	2	2-1734839-3	
32.00	12.70	16.55	17.50	22	2	2-1734839-2	
32.00	12.20	16.05	17.00	21	2	2-1734839-1	
24.00	11.70	15.55	16.50	20	2	2-1734839-0	
24.00	11.20	15.05	16.00	19	1	1-1734839-9	
24.00	10.70	14.55	15.50	18	1	1-1734839-8	
24.00	10.20	14.05	15.00	17	1	1-1734839-7	
24.00	9.70	13.55	14.50	16	1	1-1734839-6	
24.00	9.20	13.05	14.00	15	1	1-1734839-5	
24.00	8.70	12.55	13.50	14	1	1-1734839-4	
24.00	8.20	12.05	13.00	13	1	1-1734839-3	
24.00	7.70	11.55	12.50	12	1	1-1734839-2	
24.00	7.20	11.05	12.00	11	1	1-1734839-1	
24.00	6.70	10.55	11.50	10	1	1-1734839-0	
24.00	6.20	10.05	11.00	09	0	0-1734839-9	
24.00	5.70	9.55	10.50	08	0	0-1734839-8	
24.00	5.20	9.05	10.00	07	0	0-1734839-7	
24.00	4.70	8.55	9.50	06	0	0-1734839-6	
24.00	4.20	8.05	9.00	05	0	0-1734839-5	

THIS DRAWING IS A CONTROLLED DOCUMENT.

DIMENSIONS: MM	TOLERANCES UNLESS OTHERWISE SPECIFIED:	DWN	CHK	APVD	NAME
0 PLC ± -	1 PLC ± -	PRODUCT SPEC	APPLICATION SPEC	WEIGHT	SIZE
2 PLC ± -	3 PLC ± -	WEIGHT	CUSTOMER DRAWING	SCALE	SHEET
4 PLC ± -	ANGLES ± -	FINISH	SCALE	SHEET	REV

**STE** TE Connectivity

FPC CONNECTOR, 0.5mm PITCH, TOP CONTACT, SMT TYPE.

APQ (PCS/CARTON) PPQ (PCS/REEL) DIMENSIONS POS. PART NUMBER

A3 00779 C=1734839

3 OF 3 REV C

## X-ON Electronics

Largest Supplier of Electrical and Electronic Components

*Click to view similar products for [FFC & FPC Connectors](#) category:*

*Click to view products by [TE Connectivity](#) manufacturer:*

Other Similar products are found below :

[FPH-1422G](#) [FPH-1602G](#) [K-FC20](#) [FH29B-80S-0.2SHW\(99\)](#) [FPH-2022G](#) [AYF332735](#) [52610-1075](#) [52610-1275](#) [52610-1934](#) [501864-3091-TR225](#) [086222026001800](#) [52610-0675](#) [62684-36210E9ALF](#) [52746-1671-TR250](#) [10051922-2810EHLF](#) [6-520415-9](#) [SFV6R-1STE9HLF](#) [XF3M-2915-1B-R100](#) [1658549-1](#) [AYF534065TA](#) [AYF351525](#) [086212040340800+](#) [67000-014LF](#) [67000-004LF](#) [006207341915000+](#) [DS1020-19RT1D](#) [67000-003LF](#) [67000-011LF](#) [67000-016LF](#) [HFW14R-2STE9LF](#) [SFV32R-2STBE9HLF](#) [SFW12R-5STE9LF](#) [SFW18R-1STAE9LF](#) [SFW4R-5STE9LF](#) [52807-0430](#) [046283021002868+](#) [THD1015-8CL-SN](#) [67000-006LF](#) [502250-8027](#) [104267-9617](#) [66987-011LF](#) [AYF362535](#) [F0501-T-50-20T-R](#) [F1003-ZV-12-25T-R](#) [HFW8S-2STAE1HLF](#) [67000-008LF](#) [67000-012LF](#) [ECC576069EU](#) [F1002-B-20-20T-R](#) [HFW15S-2STAE1HLF](#)