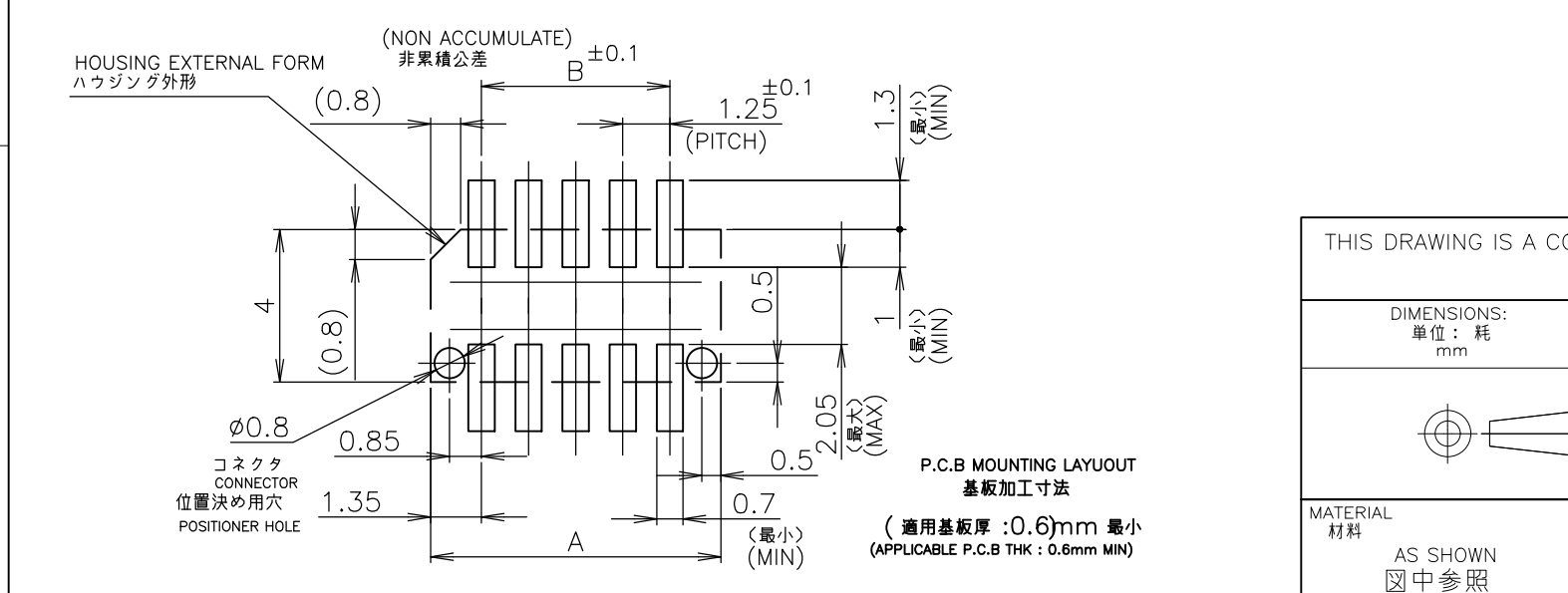
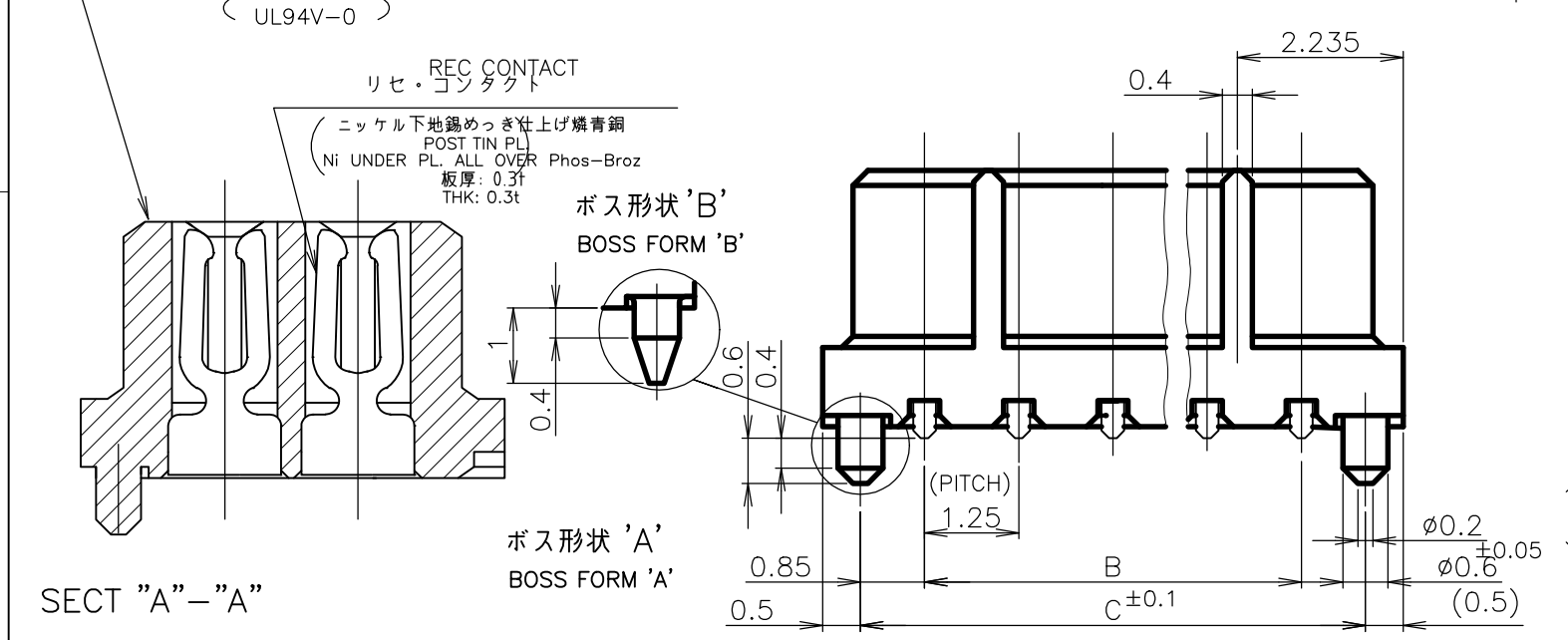
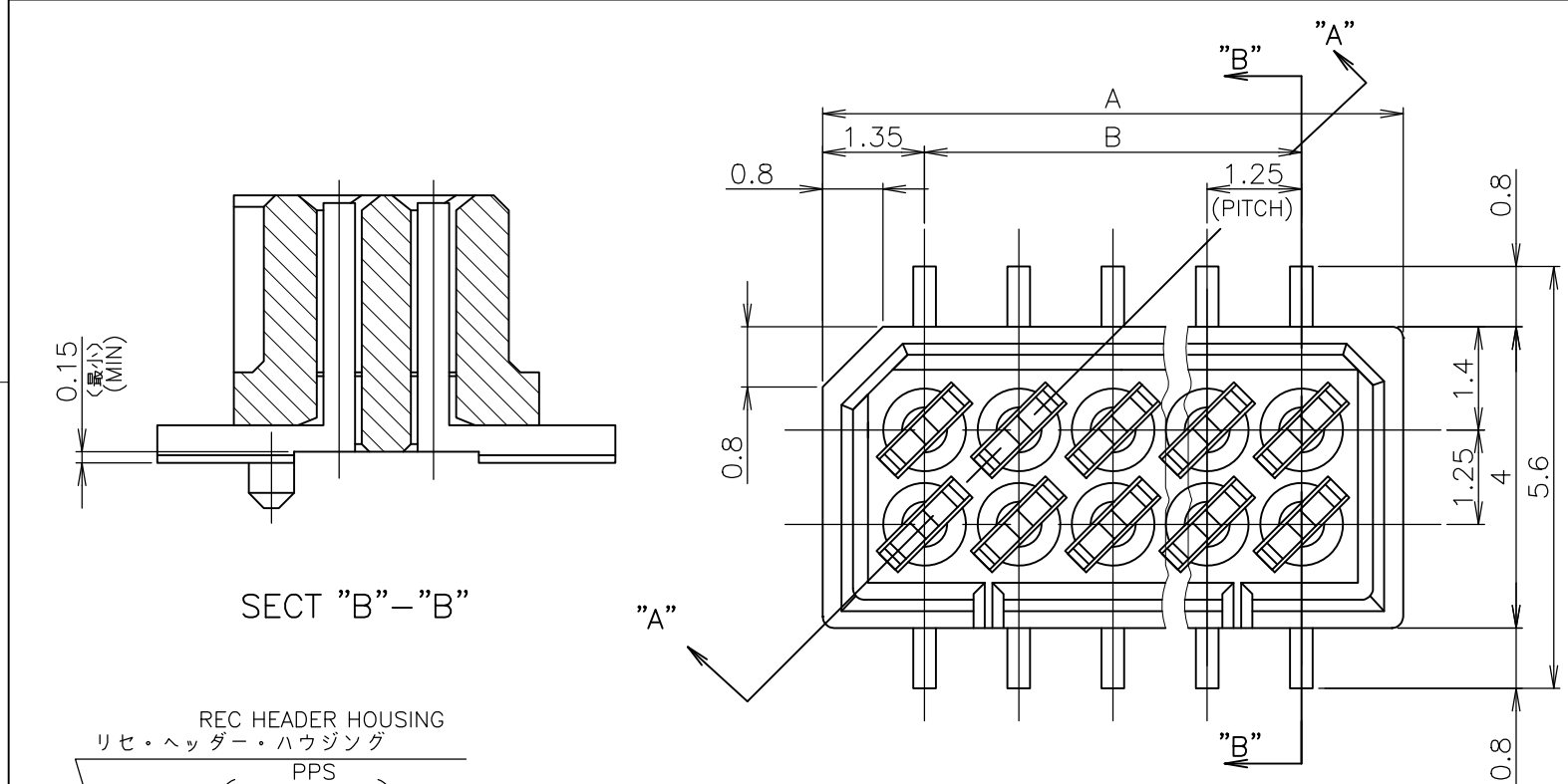


THIS DRAWING IS UNPUBLISHED. RELEASED FOR PUBLICATION . . . ? ?
 © COPYRIGHT ? By - ALL RIGHTS RESERVED.

LOC	DIST	REVISIONS					
		P	LTR	DESCRIPTION	DATE	DWN	APVD
J		P3		REVISED PER ECO-19-002093	29JAN2019	R.L	H.L

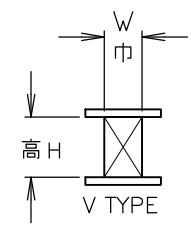


1 嵌合相手製品型番及び、嵌合時寸法は
 MATING COUNTER PART NUMBER AND DIMENSIONS
 表-1 参照のこと。
 AFTER MATING: SEE TABLE 1.

嵌合時寸法: 巾(mm)×高さ(mm)
 DIMENSIONS AFTER MATING: WIDE(mm) x HEIGHT(mm)

DIP TYPE	MATING COUNTER CONN 嵌合相手側コネクタ POST HDR ASSY		REC HDR ASSY SMT V TYPE WITH BOSS X-174639-X	
	製品型番	P/N	高さ H	
DIP TYPE	X-174643-X		3.95	5.6 (巾W) x 5.0 (高さH)
			5.95	5.6 (巾W) x 7.0 (高さH)
SMT TYPE	ボス無 WITHOUT BOSS	X-174645-X	3.95	5.6 (巾W) x 5.0 (高さH)
	ボス付 WITH BOSS	X-174821-X	5.45	5.6 (巾W) x 6.5 (高さH)
			5.95	5.6 (巾W) x 7.0 (高さH)
	ボス無 WITHOUT BOSS	X-178041-X	9.35	7.0 (巾W) x 10.5 (高さH)
	ボス付 WITH BOSS	X-176756-X		

TABLE 1 SMT TYPEは、巾及び高さ寸法に
 SMT TYPE INCLUDE DIMENSIONS
 半田付タイン部寸法を含みます。
 OF SOLDER DIP TIME.



OBSOLETE	'A'	12.95	11.25	13.95	20	5-	-0
		11.70	10.00	12.70	18	4-	-8
		10.45	8.75	11.45	16	4-	-6
		9.20	7.50	10.20	14	4-	-4
		7.95	6.25	8.95	12	4-	-2
		6.70	5.00	7.70	10	4-	-0
	'B'	4.20	2.50	5.20	6		3-174639-6
	ボス形状 BOSS FORM	C	B	A	極致 Pos.		型番 P/N

THIS DRAWING IS A CONTROLLED DOCUMENT.

DWN	S.KANEKI	03JUL89
CHK	J.TANIGAWA	03JUL89
APVD	S.KIKUCHI	03JUL89

PRODUCT SPEC
製品規格

APPLICATION SPEC
取付適用規格

WEIGHT

MATERIAL
AS SHOWN
図中参照

FINISH
仕上

AS SHOWN
図中参照

CUSTOMER DRAWING

SCALE 10:1 SHEET 1 OF 1 REV P3

NAME 1.25 F-P コネクタ (基板対基板接続用)
 2列仕様 リセ ヘッダー アッセンブリ (V)
 サーフェスマウント タイプ 基板位置決め用ボス付
 1.25 F-P CONNECTOR (B-TO-B) DOUBLE ROW REC HDR ASS'Y (V) SMT TYPE WITH BOSS

SIZE A3 CAGE CODE 00779 DRAWING NO. 174639 RESTRICTED TO

X-ON Electronics

Largest Supplier of Electrical and Electronic Components

Click to view similar products for [Board to Board & Mezzanine Connectors](#) category:

Click to view products by [TE Connectivity](#) manufacturer:

Other Similar products are found below :

[10135583-642402LF](#) [89885-310LF](#) [589158040000018](#) [6-1393048-0](#) [68683-613](#) [MDF7-12DP-2.54DSA](#) [MDF7-18P-2.54DSA\(01\)](#) [MDF7-20DP-2.54DSA](#) [MDF7-26D-2.54DSA\(55\)](#) [MDF7-3P-2.54DSA\(01\)](#) [MDF7B-20P-2.54DSA\(01\)](#) [MDF7B-3P-2.54DSA\(55\)](#) [MDF7C-18P-2.54DSA\(55\)](#) [MDF7P-5P-2.54DSA\(55\)](#) [75234-0516](#) [FCN-230C068-11](#) [FCN-268F012-G/BD](#) [FCN-268F036-G/BD](#) [FCN-268M012-G/0D](#) [FCN-268M024-G/1D](#) [FCN-360C008-C](#) [FCN-723J004/1](#) [MIS-048-01-F-D-DP-K](#) [832-10-034-10-001000](#) [93696-325LF](#) [11828-1FA](#) [AXK630345P](#) [18097-0013](#) [2007042-2](#) [304400-2](#) [FCN-214Q030-G/0](#) [FCN-215Q040-G/0](#) [FCN-230C068-ESA](#) [FCN-234P048-G/0](#) [FCN-235D050-G/C](#) [FCN-360A3](#) [FCN-360C040-B](#) [210-93-314-41-105000](#) [2-22603-0](#) [379-064-521-202](#) [MDF7-12P-2.54DSA\(01\)](#) [MDF7-16P-2.54DS\(56\)](#) [MDF7-16P-2.54DSA\(55\)](#) [MDF7-40DP-2.54DSA\(55\)](#) [MDF7-8P-2.54DSA\(55\)](#) [AXG720047](#) [5031084030](#) [55323-1519](#) [DF33-2P-3.3DSA\(24\)](#) [DF33-2S-3.3C](#)