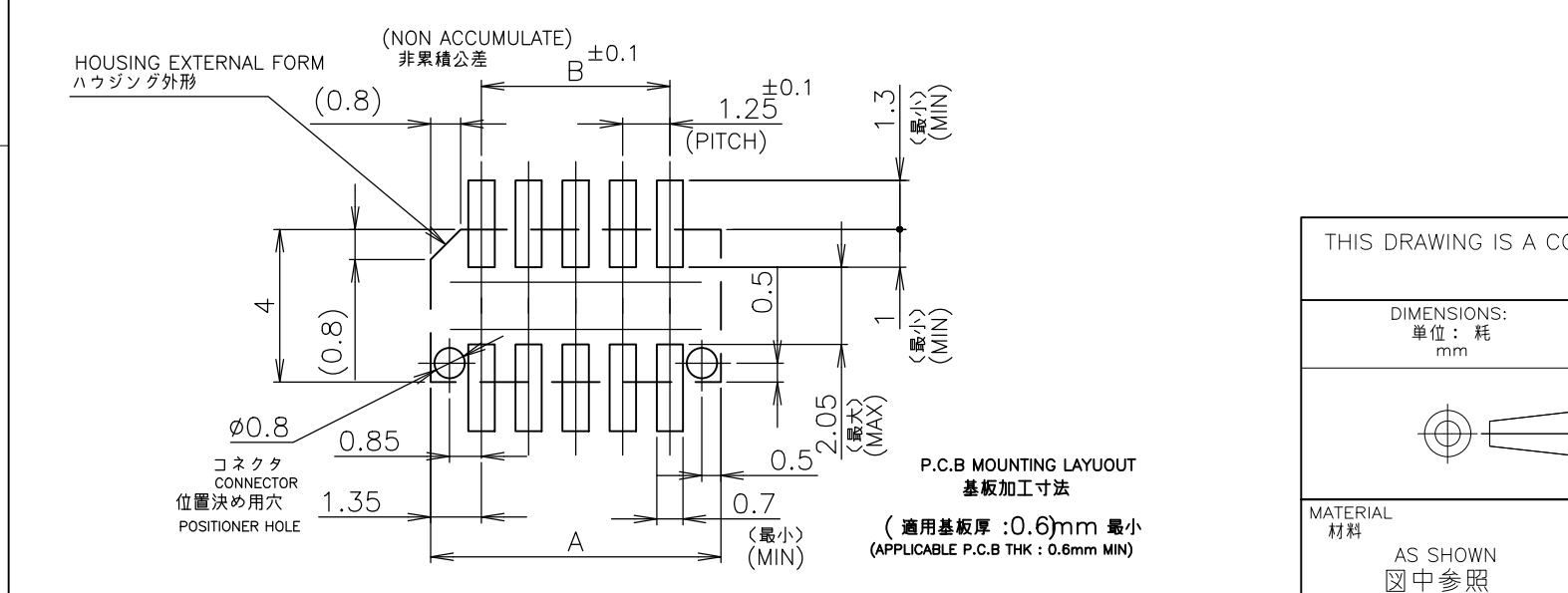
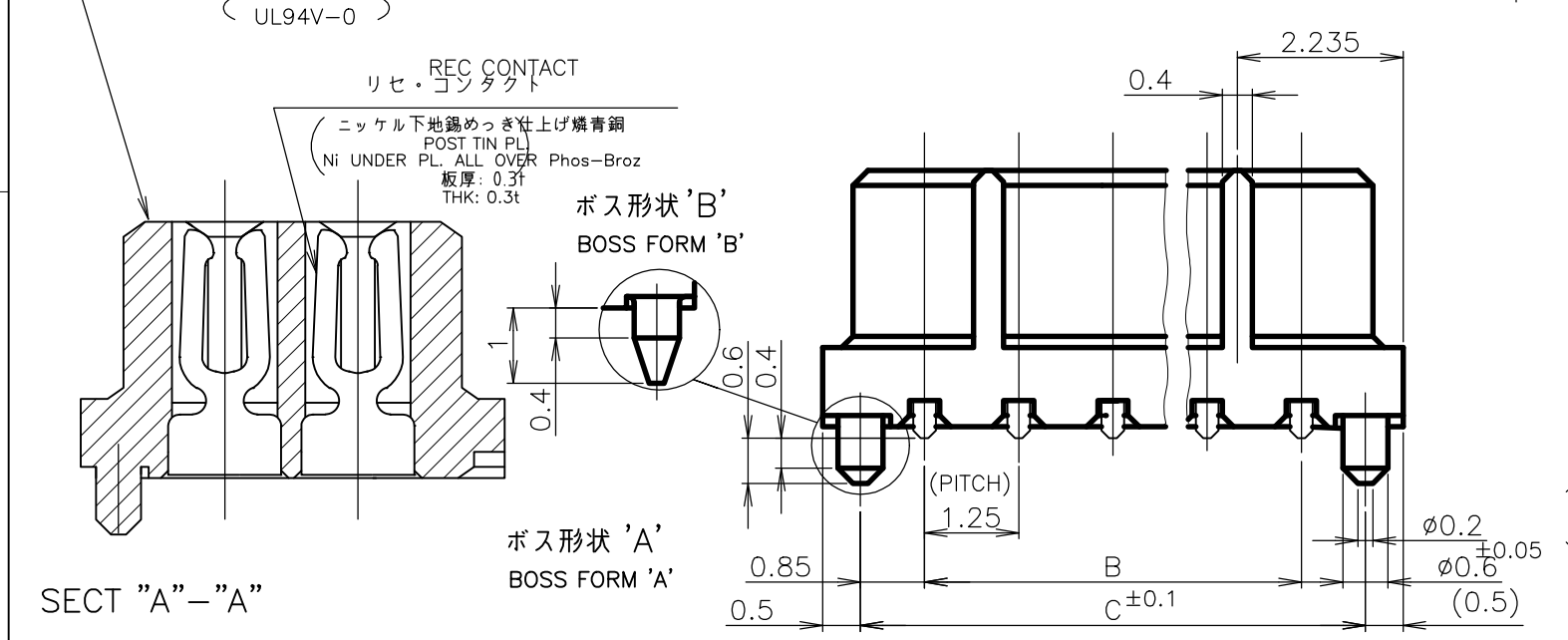
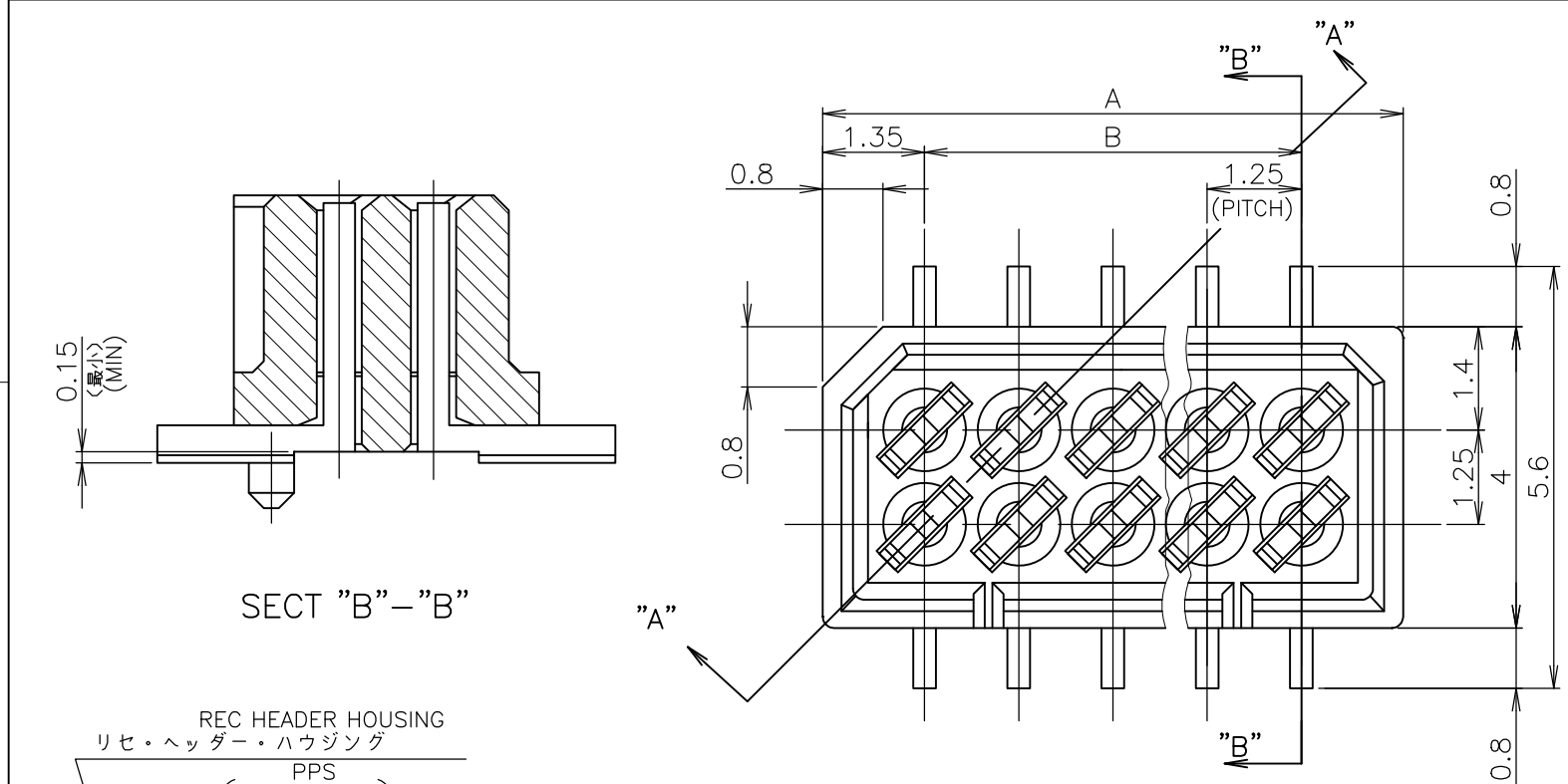


THIS DRAWING IS UNPUBLISHED. RELEASED FOR PUBLICATION . . . ? ?  
 © COPYRIGHT ? By - ALL RIGHTS RESERVED.

LOC	DIST	REVISIONS					
		P	LTR	DESCRIPTION	DATE	DWN	APVD
J		P3		REVISED PER ECO-19-002093	29JAN2019	R.L	H.L

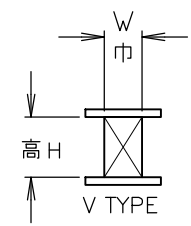


1 嵌合相手製品型番及び、嵌合時寸法は  
 MATING COUNTER PART NUMBER AND DIMENSIONS  
 表-1 参照のこと。  
 AFTER MATING: SEE TABLE 1.

嵌合時寸法: 巾(mm)×高さ(mm)  
 DIMENSIONS AFTER MATING: WIDE(mm) x HEIGHT(mm)

DIP TYPE	MATING COUNTER CONN 嵌合相手側コネクタ POST HDR ASSY		REC HDR ASSY SMT V TYPE WITH BOSS X-174639-X	
	製品型番	P/N	高さ H	
DIP TYPE	X-174643-X		3.95	5.6 (巾W) x 5.0 (高さH)
			5.95	5.6 (巾W) x 7.0 (高さH)
SMT TYPE	ボス無 WITHOUT BOSS	X-174645-X	3.95	5.6 (巾W) x 5.0 (高さH)
	ボス付 WITH BOSS	X-174821-X	5.45	5.6 (巾W) x 6.5 (高さH)
			5.95	5.6 (巾W) x 7.0 (高さH)
	ボス無 WITHOUT BOSS	X-178041-X	9.35	7.0 (巾W) x 10.5 (高さH)
	ボス付 WITH BOSS	X-176756-X		

TABLE 1 SMT TYPEは、巾及び高さ寸法に  
 SMT TYPE INCLUDE DIMENSIONS  
 半田付タイン部寸法を含みます。  
 OF SOLDER DIP TIME.



'A'	12.95	11.25	13.95	20	5-	-0
	11.70	10.00	12.70	18	4-	-8
OBSOLETE	10.45	8.75	11.45	16	4-	-6
	9.20	7.50	10.20	14	4-	-4
	7.95	6.25	8.95	12	4-	-2
	6.70	5.00	7.70	10	4-	-0
'B'	4.20	2.50	5.20	6	3-174639-6	
ボス形状 BOSS FORM	C	B	A	極致 Pos.	型番 P/N	

THIS DRAWING IS A CONTROLLED DOCUMENT.

DWN S.KANEKI 03JUL89  
 CHK J.TANIGAWA 03JUL89  
 APVD S.KIKUCHI 03JUL89

PRODUCT SPEC 製品規格  
 APPLICATION SPEC 取付適用規格  
 WEIGHT

MATERIAL 材料 AS SHOWN 図中参照  
 FINISH 仕上 AS SHOWN 図中参照

NAME 名称 1.25 F-P コネクタ (基板対基板接続用)  
 2列仕様 リセ ヘッダー アッセンブリ (V)  
 サーマスマウント タイプ 基板位置決め用ボス付  
 1.25 F-P CONNECTOR (B-TO-B) DOUBLE ROW REC HDR ASS'Y (V) SMT TYPE WITH BOSS

SIZE A3 CAGE CODE 00779 DRAWING NO. 174639 RESTRICTED TO

CUSTOMER DRAWING SCALE 10:1 SHEET 1 OF 1 REV P3

## X-ON Electronics

Largest Supplier of Electrical and Electronic Components

*Click to view similar products for [Board to Board & Mezzanine Connectors](#) category:*

*Click to view products by [TE Connectivity](#) manufacturer:*

Other Similar products are found below :

[589158040000018](#) [FCN-230C068-11](#) [FCN-268F012-G/BD](#) [FCN-268F036-G/BD](#) [FCN-268M012-G/0D](#) [FCN-268M024-G/1D](#) [FCN-723J004/1](#) [MIS-048-01-F-D-DP-K](#) [832-10-034-10-001000](#) [FX4C-80S-1.27DSA](#) [FCN-214Q030-G/0](#) [FCN-234P048-G/0](#) [FCN-235D050-G/C](#) [210-93-314-41-105000](#) [2-22603-0](#) [MDF7-40DP-2.54DSA\(55\)](#) [AXG720047](#) [5031084030](#) [MIT-114-03-F-D-K](#) [55323-1519](#) [DF33-2P-3.3DSA\(24\)](#) [YFT-20-05-H-03-SB-K](#) [503308-3040](#) [026-6203-PDB](#) [027-6203-PDB](#) [069159702701000](#) [10123981-102LF](#) [101A10019X](#) [55650-0588-C](#) [68684-306](#) [75140-7012](#) [589159005003045](#) [194261-1](#) [FCN-268F024-G0D](#) [10124054-515LF](#) [68685-603](#) [8-1616154-3](#) [MIS-019-01-F-D](#) [589159005002045](#) [541371078](#) [IL-WX-10PB-HF-B-E1000E](#) [FCN-268M024-G/3D](#) [20021832-06016C1LF](#) [KX15-20KLDL-E1000E](#) [MDF7-16DP-2.54DSA\(55\)](#) [AXE810124](#) [FCN-214J100-G/0](#) [FCN-230C068-E/S](#) [AXE812124](#) [AXE816124](#)