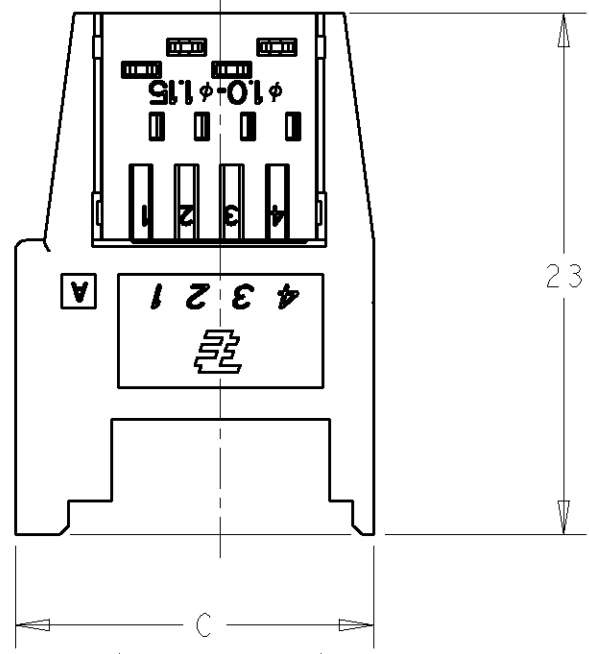


THIS DRAWING IS UNPUBLISHED. RELEASED FOR PUBLICATION  
 © COPYRIGHT ALL RIGHTS RESERVED.

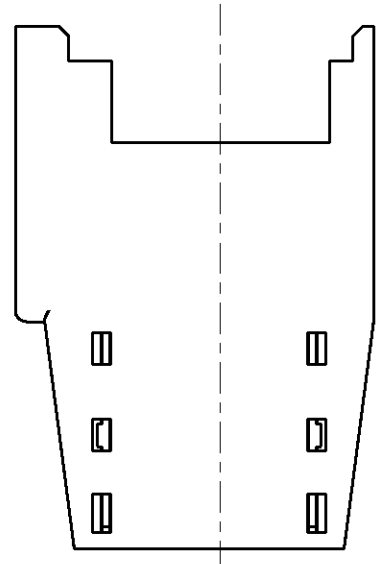
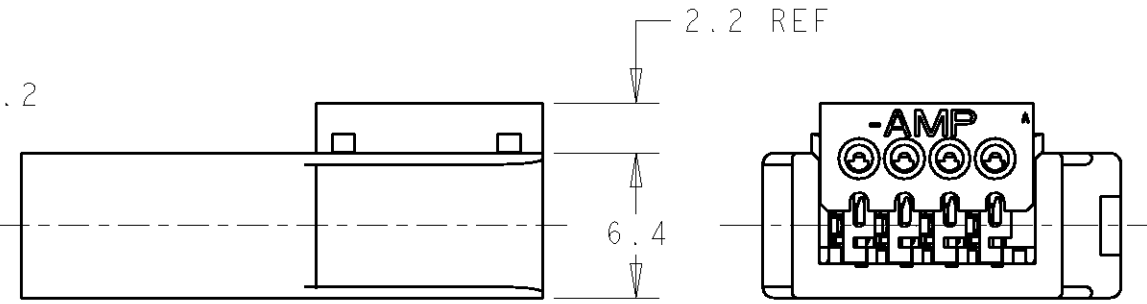
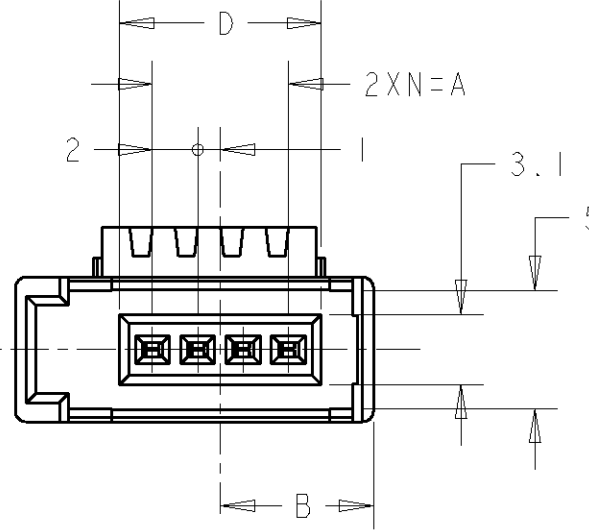
| LOC | DIST | REVISIONS |     |                           |         |     |      |
|-----|------|-----------|-----|---------------------------|---------|-----|------|
|     |      | P         | LTR | DESCRIPTION               | DATE    | DWN | APVD |
| J   | -    | A1        |     | REVISED PER ECO-11-005030 | 24MAR11 | RK  | HMR  |



1746741-4: AS SHOWN  
 1746741-4: 本図

1. 材料: RELAY HOUSING: ガラス入り熱可塑性ポリエステル樹脂、94V-0、黒  
 HOLD HOUSING: ポリカーボネイト 94V-0 黄色: 0-, 赤色: 1-, 青色: 2-  
 コンタクト: 銅合金
2. メッキ: コンタクト: 全面ニッケルメッキ下地 1.27μm MIN  
 接点部: 金メッキ 0.2μm MIN

1. MATERIAL: RELAY HOUSING: GLASS FILED THERMOPLASTIC, 94V-0, BLACK.  
 HOLD HOUSING: PC, 94V-0, YELLOW: 0-, RED: 1-, BLUE: 2-.  
 CONTACT: COPPER ALLOY.
2. FINISH: UNDERPLATE: Ni 1.27μm min.  
 CONTACT AREA: Au 0.2μm min.



<Table of Insulation Dia (Cable suitable for e-CON.)>  
 <被覆外径一覧表 (e-CON 適応電線)>

|                |                |             |             |
|----------------|----------------|-------------|-------------|
| RED            | φ0.90~1.00     | 1-1746741-□ | SEE SHEET 1 |
| YELLOW         | φ1.00~1.15     | 1746741-□   | SEE SHEET 1 |
| BLUE           | φ1.15~1.35     | 2-1746741-□ | SEE SHEET 1 |
| GREEN          | φ1.35~1.60     | 4-1746741-□ | SEE SHEET 2 |
| HOLD HSG COLOR | INSULATION DIA | P/N         | SHEET No    |

|                |      |      |       |    |   |     |             |
|----------------|------|------|-------|----|---|-----|-------------|
| BLUE           | 16.9 | 23.8 | 10.75 | 14 | 7 | 8   | 2-1746741-8 |
| RED            | 16.9 | 23.8 | 10.75 | 14 | 7 | 8   | 1-1746741-8 |
| YELLOW         | 16.9 | 23.8 | 10.75 | 14 | 7 | 8   | 1746741-8   |
| BLUE           | 12.9 | 19.8 | 8.75  | 10 | 5 | 6   | 2-1746741-6 |
| RED            | 12.9 | 19.8 | 8.75  | 10 | 5 | 6   | 1-1746741-6 |
| YELLOW         | 12.9 | 19.8 | 8.75  | 10 | 5 | 6   | 1746741-6   |
| BLUE           | 8.9  | 15.8 | 6.75  | 6  | 3 | 4   | 2-1746741-4 |
| RED            | 8.9  | 15.8 | 6.75  | 6  | 3 | 4   | 1-1746741-4 |
| YELLOW         | 8.9  | 15.8 | 6.75  | 6  | 3 | 4   | 1746741-4   |
| BLUE           | 6.9  | 13.8 | 5.75  | 4  | 2 | 3   | 2-1746741-3 |
| RED            | 6.9  | 13.8 | 5.75  | 4  | 2 | 3   | 1-1746741-3 |
| YELLOW         | 6.9  | 13.8 | 5.75  | 4  | 2 | 3   | 1746741-3   |
| HOLD HSG COLOR | D    | C    | B     | A  | N | POS | P/N         |

|                            |  |   |
|----------------------------|--|---|
| DIMENSIONS:<br>単位: 概<br>mm | TOLERANCES UNLESS OTHERWISE SPECIFIED:<br>一般公差 ±0.2<br>0-PLC ±<br>1-PLC ±<br>2-PLC ±<br>3-PLC ±<br>4-PLC ±<br>ANGLES ±3° | DWN J. AKASAKA 02FEB2004<br>CHK D. MITSUGI 02FEB2004<br>APVD S. MANABE 02FEB2004<br>PRODUCT SPEC 108-5765<br>APPLICATION SPEC<br>取付適用規格<br>WEIGHT - |
| MATERIAL<br>材料 SEE NOTE    | FINISH<br>仕上 SEE NOTE  | CUSTOMER DRAWING  |

WIRE RANGE 総合電線断面積 - INSULATION DIA 被覆外径 -

**STE** TE Connectivity

NAME 名称 SOCKET ASSY E-CON RITS CONN.

SIZE A3 CAGE CODE 00779 DRAWING NO 番号 1746741 RESTRICTED TO -

SCALE 尺度 3:1 SHEET 1 OF 2 REV A1

THIS DRAWING IS UNPUBLISHED.

RELEASED FOR PUBLICATION

© COPYRIGHT

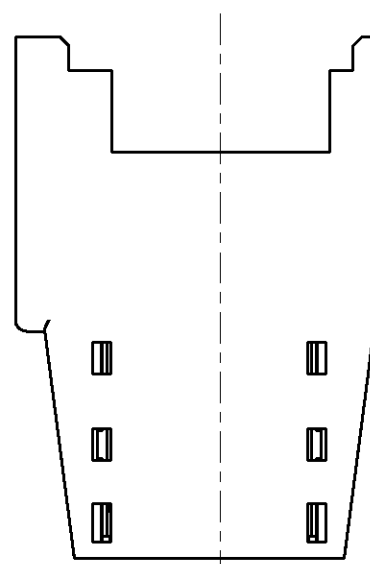
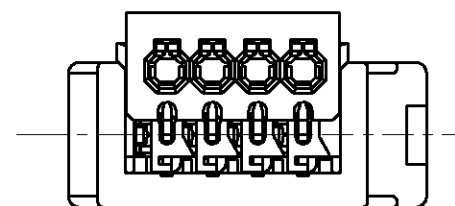
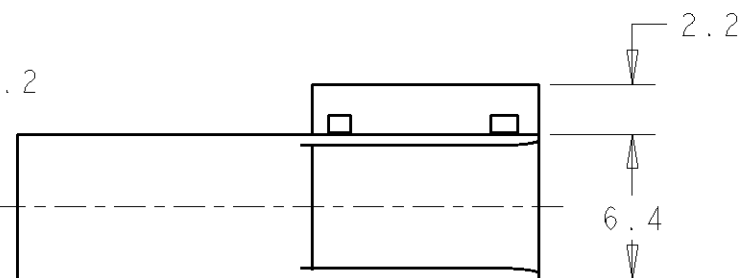
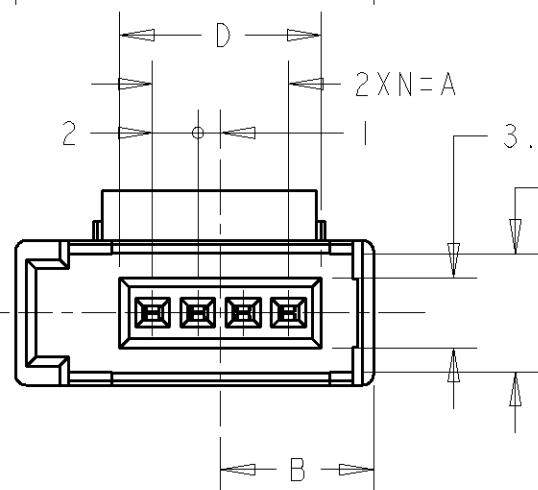
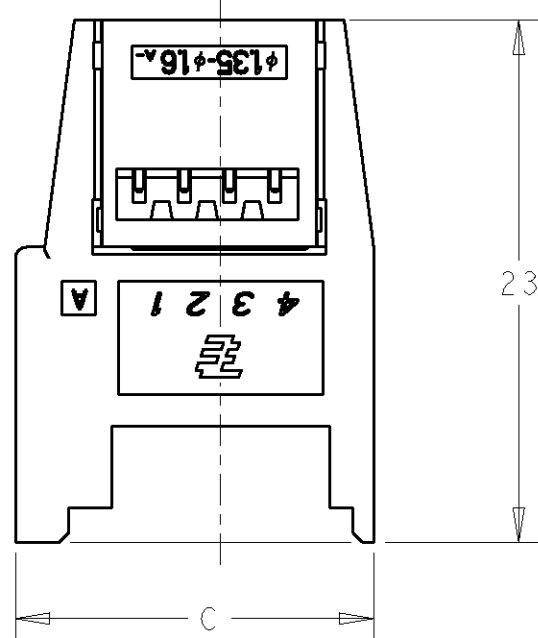
ALL RIGHTS RESERVED.

| LOC | DIST | REVISIONS   |      |     |      |  |
|-----|------|-------------|------|-----|------|--|
| P   | LTR  | DESCRIPTION | DATE | DWN | APVD |  |
| J   | -    | SEE SHEET 1 | -    | -   | -    |  |


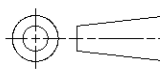
4-1746741-4: AS SHOWN  
 4-1746741-4: 本図

- 材料: RELAY HOUSING: ガラス入り熱可塑性ポリエステル樹脂、94V-0、黒  
 HOLD HOUSING: ポリカーボネイト 94V-0 緑色: 4-  
 コンタクト: 銅合金
- メッキ: コンタクト: 全面ニッケルメッキ下地 1.27μm MIN  
 接点部: 金メッキ 0.2μm MIN

- MATERIAL: RELAY HOUSING: GLASS FIBERED THERMOPLASTIC, 94V-0, BLACK.  
 HOLD HOUSING: PC, 94V-0, YELLOW: 0-, RED: 1-, BLUE: 2-.
- FINISH: UNDERPLATE: Ni 1.27μm min.  
 CONTACT AREA: Au 0.2μm min.



|                |      |      |       |    |   |     |             |
|----------------|------|------|-------|----|---|-----|-------------|
| GREEN          | 16.9 | 23.8 | 10.75 | 14 | 7 | 8   | 4-1746741-8 |
|                | 12.9 | 19.8 | 8.75  | 10 | 5 | 6   | 4-1746741-6 |
|                | 8.9  | 15.8 | 6.75  | 6  | 3 | 4   | 4-1746741-4 |
|                | 6.9  | 13.8 | 5.75  | 4  | 2 | 3   | 4-1746741-3 |
| HOLD HSG COLOR | D    | C    | B     | A  | N | POS | P/N         |

|   |  |   |  |   |  |   |                 |  |                 |
|---|--|---|--|---|--|---|-----------------|--|-----------------|
| DIMENSIONS:<br>mm   |  | TOLERANCES UNLESS OTHERWISE SPECIFIED:                                |  | DWN<br>J. AKASAKA<br>02FEB2004                                      |  |  TE Connectivity |                 |  |                 |
|  |  | 0 PLC ±-<br>1 PLC ±-<br>2 PLC ±-<br>3 PLC ±-<br>4 PLC ±-<br>ANGLES ±- |  | CHK -<br>APVD -<br>PRODUCT SPEC -<br>APPLICATION SPEC -<br>WEIGHT - |  |   |                 | NAME<br>SOCKET ASSY<br>E-CON<br>RITS CONN. |                 |
| MATERIAL SEE NOTE   |  | FINISH SEE NOTE   |  | CUSTOMER DRAWING  |  | SIZE A3   | CAGE CODE 00779 | DRAWING NO C-1746741                       | RESTRICTED TO - |
| SCALE 3:1   |  |   |  |   |  | SHEET 2 OF 2  |                 | REV A1                                     |                 |

## X-ON Electronics

Largest Supplier of Electrical and Electronic Components

*Click to view similar products for [Power to the Board](#) category:*

*Click to view products by [TE Connectivity](#) manufacturer:*

Other Similar products are found below :

[6450171-4](#) [6450552-7](#) [6600323-8](#) [6643429-1](#) [6646040-2](#) [6651939-1](#) [6766604-1](#) [120959-1](#) [1393557-2](#) [1393532-2](#) [1393532-3](#) [1393532-4](#)  
[1393557-1](#) [1600812-5](#) [1-6450861-2](#) [1744132-7](#) [1761122-1](#) [1766250-1](#) [1892109-1](#) [2-6450860-5](#) [2-6450870-0](#) [1-6450161-4](#) [1-6450850-6](#) [1-](#)  
[6450869-6](#) [1645526-2](#) [1-6600130-0](#) [2005243-2](#) [377-0020-11130](#) [TE34-12-16P-F0](#) [51700-10201602AALF](#) [5-6450830-6](#) [5646956-4](#) [377-](#)  
[0080-11131A](#) [4-6450830-9](#) [4-6600333-3](#) [10125416-4050LF](#) [10130248-005LF](#) [6600320-3](#) [3-6450860-5](#) [1888123-2](#) [6450166-1](#) [6643978-1](#)  
[6766605-1](#) [701-15-02109](#) [N11444](#) [6651938-1](#) [6450810-7](#) [46437-1112](#) [1-1589677-8](#) [5646956-5](#)