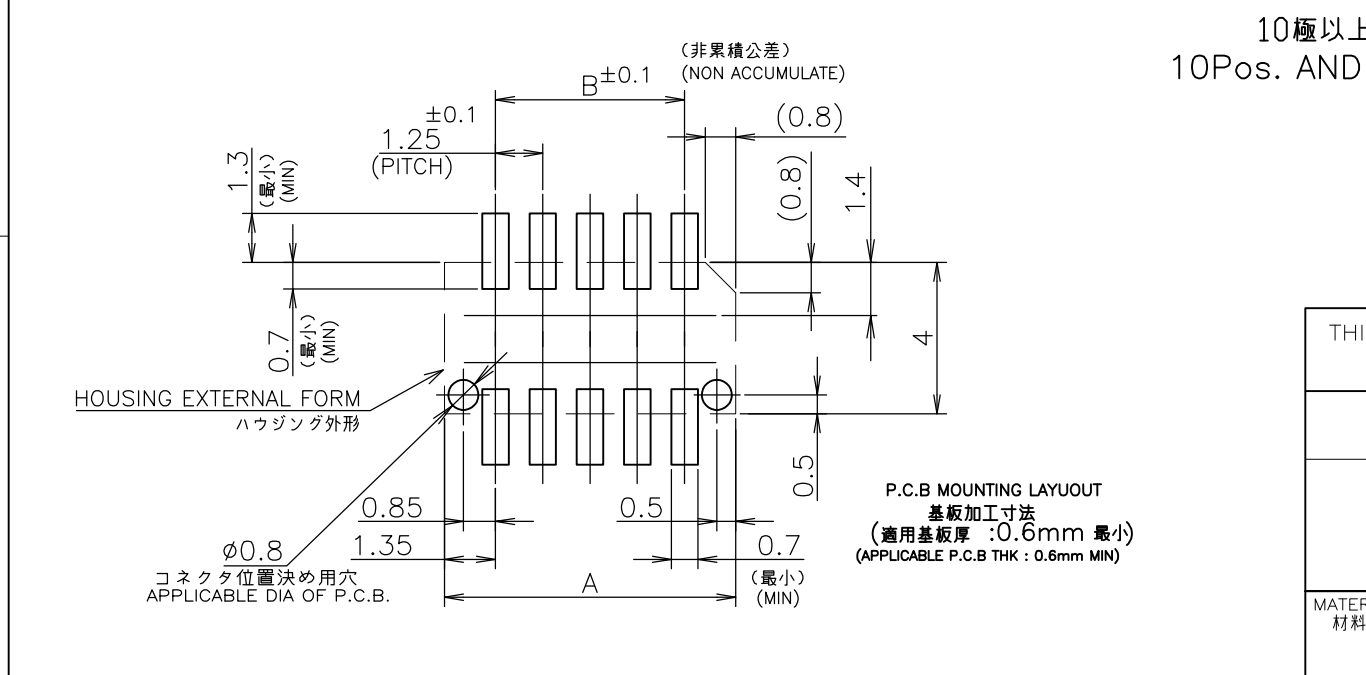
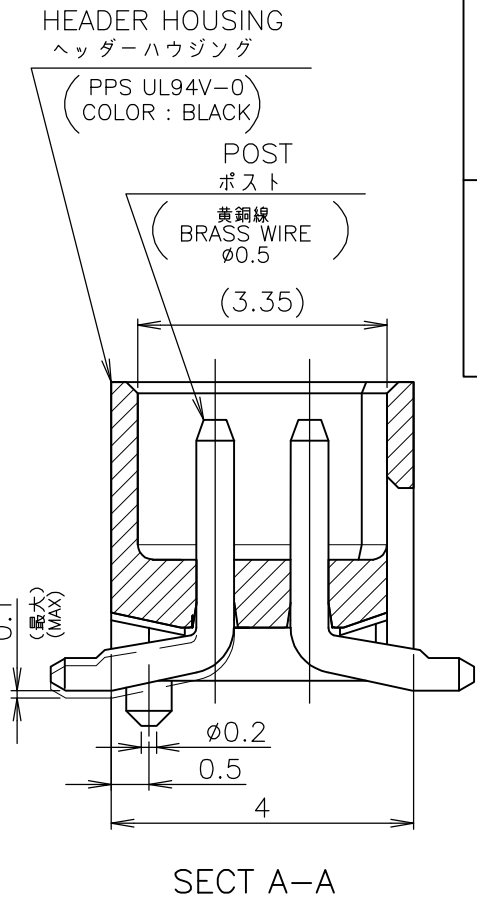
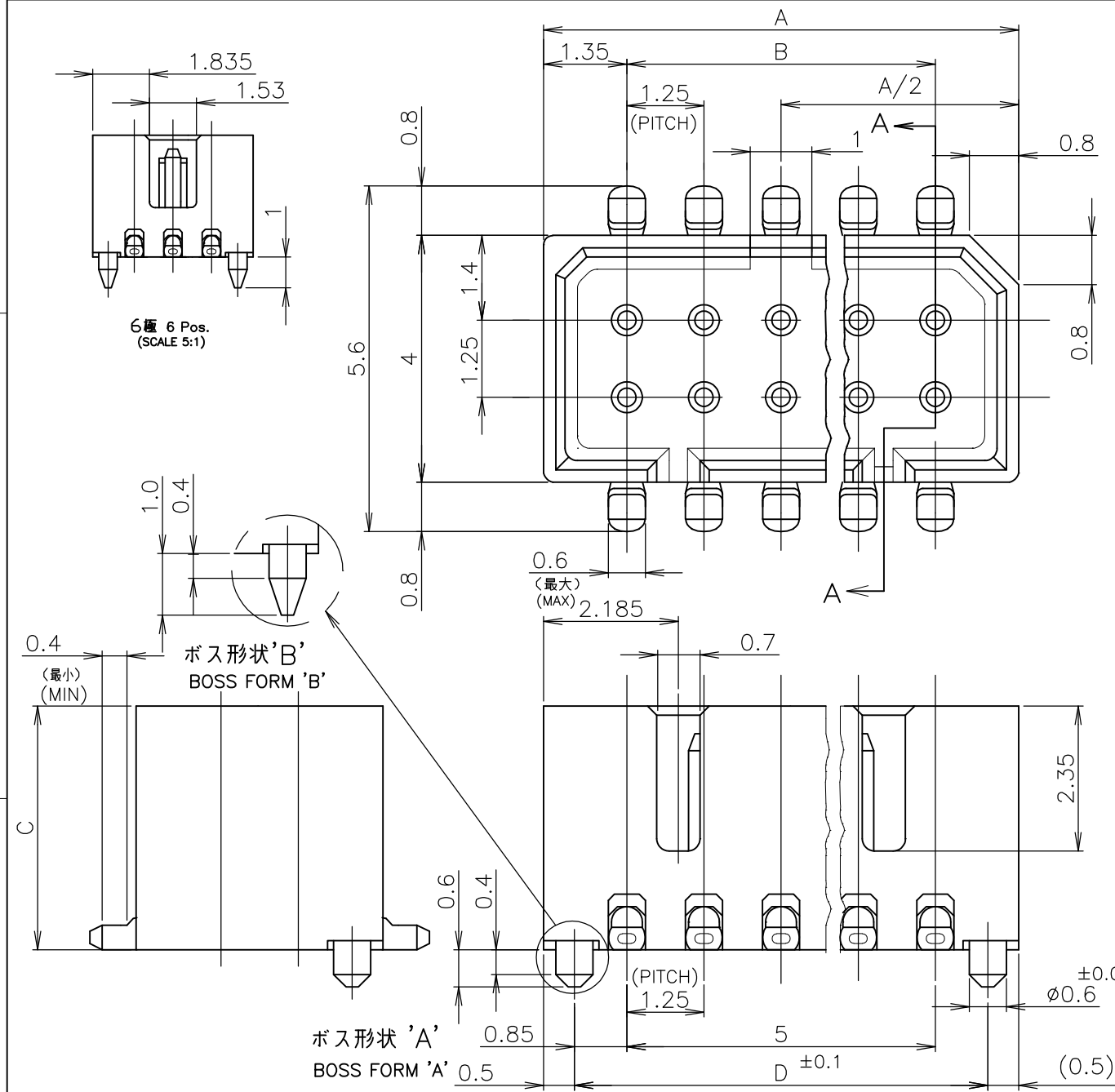


THIS DRAWING IS UNPUBLISHED. RELEASED FOR PUBLICATION
 © COPYRIGHT By - ALL RIGHTS RESERVED.

LOC	DIST	REVISIONS					
		P	LTR	DESCRIPTION	DATE	DWN	APVD
J		N1		REVISED PER ECO-11-005030	11MAR11	RK	HMR



注記 NOTE 1 嵌合相手製品型番及び、嵌合時寸法は MATING COUNTER PART NUMBER AND DIMENSIONS 表-1 参照のこと。 AFTER MATING: SEE TABLE 1.

仕上げ: 錫めっき(材料めっき)リフロー FINISH ; PLI-TIN REFLOW

仕上げ: ニッケル下地錫めっき(後めっき) FINISH ; TIN PL. Ni UNDER PL. ALL OVER

嵌合時寸法: 巾(mm)x高さ(mm)
DIMENSIONS AFTER MATING : WIDTH(mm) x HEIGHT(mm)

DIP TYPE	MATING COUNTER コネクタ CONN RECE HDR ASSY	SMT TYPE X-174821-X ボス付 WITH BOSS		
		ハウジング 高さ C寸法 HOUSING HEIGHT C DIMENSIONS		
		3.95	5.45	5.95
V TYPE X-174635-X X-176870-X		5.6(巾W)x	5.6(巾W)x	5.6(巾W)x
		5.0(高H)	6.5(高H)	7.0(高H)
H TYPE X-174636-X X-176892-X		5.6(巾W)x	5.6(巾W)x	5.6(巾W)x
		5.8(高H)	7.3(高H)	7.8(高H)
ボス無 WITHOUT BOSS X-174904-X X-176768-X	V TYPE	5.6(巾W)x	5.6(巾W)x	5.6(巾W)x
		5.0(高H)	6.5(高H)	7.0(高H)
ボス付 WITH BOSS X-174639-X X-176311-X	V TYPE	5.6(巾W)x	5.6(巾W)x	5.6(巾W)x
		5.0(高H)	6.5(高H)	7.0(高H)
ボス無 WITHOUT BOSS X-174905-X X-176893-X	H TYPE	5.6(巾W)x	5.6(巾W)x	5.6(巾W)x
		6.9(高H)	7.9(高H)	8.9(高H)
ボス付 WITH BOSS X-174640-X X-176490-X	H TYPE	5.6(巾W)x	5.6(巾W)x	5.6(巾W)x
		6.9(高H)	7.9(高H)	8.9(高H)

TABLE 1 表-1
SMT TYPEは、巾及び高さ寸法に SMT TYPE INCLUDE DIMENSIONS 半田付タイプ寸法を含みます。 OF SOLDER DIP TIME.

△3	'B'	10.45	↑	8.75	11.45	16	7-	↑	-6
△3	↑	7.95	5.95	6.25	8.95	12	7-		-2
△3		15.45	↑	13.75	16.45	24	5-		-4
△3		14.20		12.50	15.20	22	5-		-2
△3		12.95		11.25	13.95	20	5-		-0
△3		11.70		10.00	12.70	18	4-		-8
△3		10.45		8.75	11.45	16	4-		-6
△3	'A'	9.20		7.50	10.20	14	4-		-4
△3	↑	7.95		6.25	8.95	12	4-		-2
△3		6.70		5.00	7.70	10	4-		-0
△3	'B'	4.20	3.95	2.50	5.20	6	3-		-6
△3	'A'	12.95	↑	11.25	13.95	20	2-		-0
△3	'B'	10.45		8.75	11.45	16	1-		-6
△3	'A'	9.20	5.45	7.50	10.20	14	1-		-4
仕上げ FINISH	ボス形状 BOSS TYPE	D	C	B	A	極数 Pos.			型番 P/N

THIS DRAWING IS A CONTROLLED DOCUMENT.

DWN S.KANEKI 16JAN90
 CHK J.TANIGAWA 17JAN90
 APVD S.KUBOUCHI 17JAN90

NAME 名称: 1.25 F-P CONNECTOR (B-TO-B) DOUBLE ROW POST HDR ASSY SMT TYPE WITH BOSS

PRODUCT SPEC 製品規格: 108-5246

APPLICATION SPEC 取付適用規格

WEIGHT

MATERIAL 材料: △4

FINISH 仕上: △3

SCALE 尺度: 10:1

SHEET 1 OF 1

REV N1

CUSTOMER DRAWING

SIZE A3 CAGE CODE 00779 DRAWING NO G-174821 RESTRICTED TO

X-ON Electronics

Largest Supplier of Electrical and Electronic Components

Click to view similar products for [Board to Board & Mezzanine Connectors](#) category:

Click to view products by [TE Connectivity](#) manufacturer:

Other Similar products are found below :

[589158040000018](#) [MDF7C-18P-2.54DSA\(55\)](#) [FCN-230C068-11](#) [FCN-268F012-G/BD](#) [FCN-268F036-G/BD](#) [FCN-268M012-G/0D](#) [FCN-268M024-G/1D](#) [FCN-723J004/1](#) [MIS-048-01-F-D-DP-K](#) [832-10-034-10-001000](#) [FX4C-80S-1.27DSA](#) [FCN-214Q030-G/0](#) [FCN-234P048-G/0](#) [FCN-235D050-G/C](#) [210-93-314-41-105000](#) [2-22603-0](#) [MDF7-40DP-2.54DSA\(55\)](#) [AXG720047](#) [5031084030](#) [MIT-114-03-F-D-K](#) [55323-1519](#) [DF33-2P-3.3DSA\(24\)](#) [YFT-20-05-H-03-SB-K](#) [503308-3040](#) [026-6203-PDB](#) [027-6203-PDB](#) [069159702701000](#) [10123981-102LF](#) [101A10019X](#) [55650-0588-C](#) [68684-306](#) [75140-7012](#) [589159005003045](#) [194261-1](#) [FCN-268F024-G0D](#) [10124054-515LF](#) [68685-603](#) [8-1616154-3](#) [MIS-019-01-F-D](#) [589159005002045](#) [541371078](#) [IL-WX-10PB-HF-B-E1000E](#) [FCN-268M024-G/3D](#) [20021832-06016C1LF](#) [KX15-20KLDL-E1000E](#) [MDF7-16DP-2.54DSA\(55\)](#) [AXE810124](#) [FCN-214J100-G/0](#) [FCN-230C068-E/S](#) [AXE812124](#)