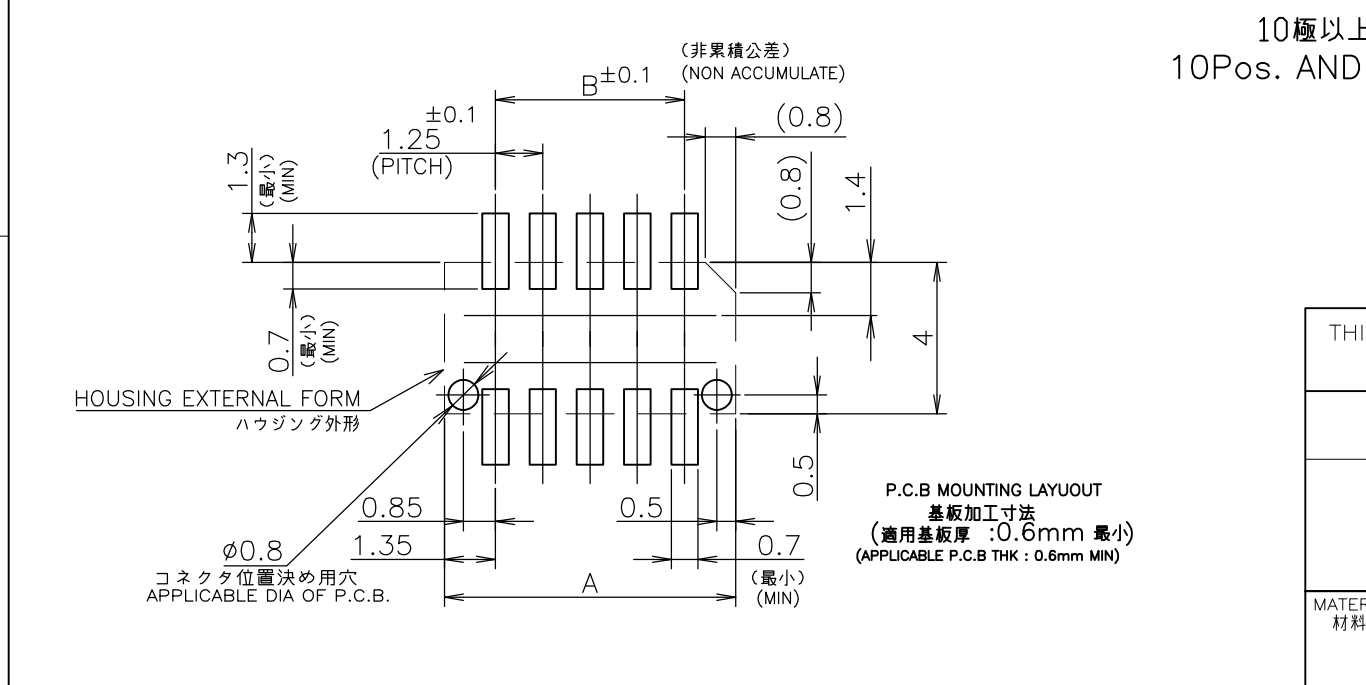
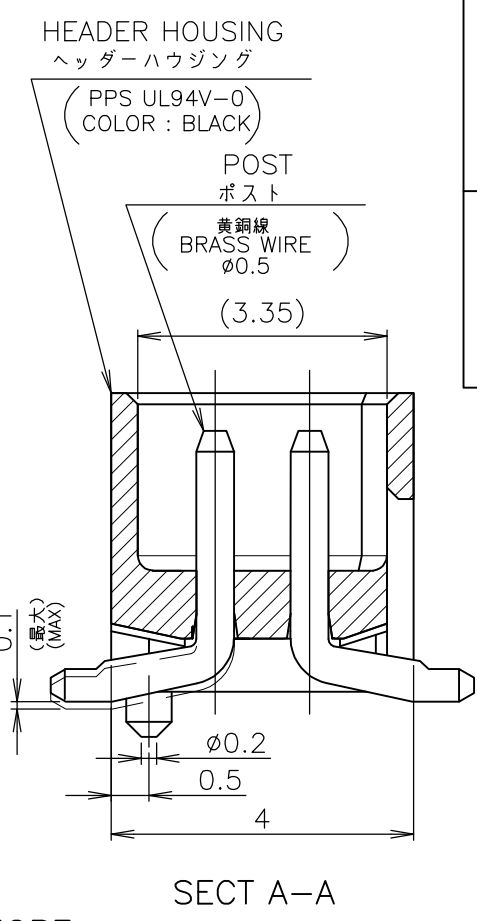
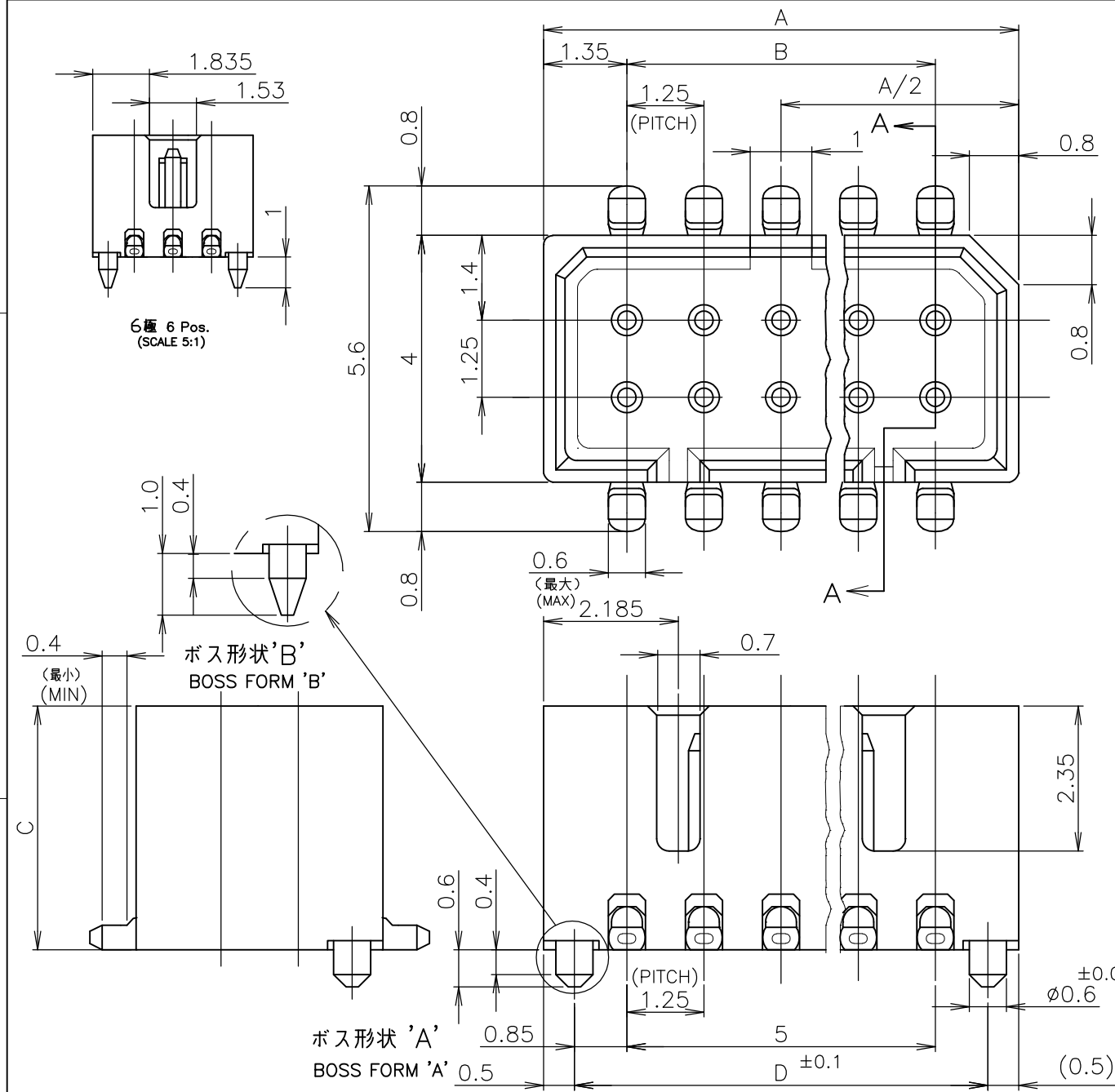


THIS DRAWING IS UNPUBLISHED. RELEASED FOR PUBLICATION
 © COPYRIGHT By - ALL RIGHTS RESERVED.

| LOC | DIST | REVISIONS | | | | | |
|-----|------|-----------|-----|---------------------------|---------|-----|------|
| | | P | LTR | DESCRIPTION | DATE | DWN | APVD |
| J | | N1 | | REVISED PER ECO-11-005030 | 11MAR11 | RK | HMR |



注記 NOTE 1 嵌合相手製品型番及び、嵌合時寸法は MATING COUNTER PART NUMBER AND DIMENSIONS 表-1 参照のこと。 AFTER MATING: SEE TABLE 1.

仕上げ: 錫めっき(材料めっき)リフロー FINISH ; PLI-TIN REFLOW
 仕上げ: ニッケル下地錫めっき(後めっき) FINISH ; TIN PL. Ni UNDER PL. ALL OVER

嵌合時寸法: 巾(mm)x高さ(mm)
DIMENSIONS AFTER MATING : WIDTH(mm) x HEIGHT(mm)

| DIP TYPE | MATING COUNTER コネクタ CONN RECE HDR ASSY | SMT TYPE X-174821-X ボス付 WITH BOSS | | |
|---|---|---|----------|----------|
| | | ハウジング 高さ C寸法 HOUSING HEIGHT C DIMENSIONS | | |
| | | 3.95 | 5.45 | 5.95 |
| V TYPE X-174635-X X-176870-X | | 5.6(巾W)x | 5.6(巾W)x | 5.6(巾W)x |
| | | 5.0(高H) | 6.5(高H) | 7.0(高H) |
| H TYPE X-174636-X X-176892-X | | 5.6(巾W)x | 5.6(巾W)x | 5.6(巾W)x |
| | | 5.8(高H) | 7.3(高H) | 7.8(高H) |
| SMT TYPE | V TYPE ボス無 WITHOUT BOSS X-174904-X X-176768-X | 5.6(巾W)x | 5.6(巾W)x | 5.6(巾W)x |
| | ボス付 WITH BOSS X-174639-X X-176311-X | 5.0(高H) | 6.5(高H) | 7.0(高H) |
| H TYPE ボス無 WITHOUT BOSS X-174905-X X-176893-X | | 5.6(巾W)x | 5.6(巾W)x | 5.6(巾W)x |
| | ボス付 WITH BOSS X-174640-X X-176490-X | 6.9(高H) | 7.9(高H) | 8.9(高H) |

TABLE 1 表-1
SMT TYPEは、巾及び高さ寸法に SMT TYPE INCLUDE DIMENSIONS 半田付タイプ寸法を含みます。 OF SOLDER DIP TIME.

| | | | | | | | | | |
|---------------|-------------------|-------|------|-------|-------|------------|----|---|-----------|
| △3 | 'B' | 10.45 | ↑ | 8.75 | 11.45 | 16 | 7- | ↑ | -6 |
| △3 | ↑ | 7.95 | 5.95 | 6.25 | 8.95 | 12 | 7- | | -2 |
| △3 | | 15.45 | ↑ | 13.75 | 16.45 | 24 | 5- | | -4 |
| △3 | | 14.20 | | 12.50 | 15.20 | 22 | 5- | | -2 |
| △3 | | 12.95 | | 11.25 | 13.95 | 20 | 5- | | -0 |
| △3 | | 11.70 | | 10.00 | 12.70 | 18 | 4- | | -8 |
| △3 | | 10.45 | | 8.75 | 11.45 | 16 | 4- | | -6 |
| △3 | 'A' | 9.20 | | 7.50 | 10.20 | 14 | 4- | | -4 |
| △3 | ↑ | 7.95 | | 6.25 | 8.95 | 12 | 4- | | -2 |
| △3 | | 6.70 | | 5.00 | 7.70 | 10 | 4- | | -0 |
| △3 | 'B' | 4.20 | 3.95 | 2.50 | 5.20 | 6 | 3- | | -6 |
| △3 | 'A' | 12.95 | ↑ | 11.25 | 13.95 | 20 | 2- | | -0 |
| △3 | 'B' | 10.45 | | 8.75 | 11.45 | 16 | 1- | | -6 |
| △3 | 'A' | 9.20 | 5.45 | 7.50 | 10.20 | 14 | 1- | | -4 |
| 仕上げ FINISH | ボス形状 BOSS TYPE | D | C | B | A | 極数 Pos. | | | 型番 P/N |

THIS DRAWING IS A CONTROLLED DOCUMENT.

DWN S.KANEKI 16JAN90
 CHK J.TANIGAWA 17JAN90
 APVD S.KUBOUCHI 17JAN90

NAME 名称
1.25 F-P CONNECTOR (B-TO-B)
DOUBLE ROW POST HDR ASSY SMT TYPE WITH BOSS

PRODUCT SPEC
製品規格
108-5246

APPLICATION SPEC
取付適用規格

MATERIAL 材料
△4

FINISH 仕上
△3

WEIGHT

SIZE A3 CAGE CODE 00779 DRAWING NO. 番号 C-174821 RESTRICTED TO

CUSTOMER DRAWING SCALE 尺度 10:1 SHEET 1 OF 1 REV N1

X-ON Electronics

Largest Supplier of Electrical and Electronic Components

Click to view similar products for [Headers & Wire Housings](#) category:

Click to view products by [TE Connectivity](#) manufacturer:

Other Similar products are found below :

[892-18-020-10-001101](#) [58102-G61-06LF](#) [582553-1](#) [0009485154](#) [009176003701906](#) [0050291907](#) [LY20-4P-DT1-P1E-BR](#) [02.125.8002.8](#)
[609-3404](#) [61062-3](#) [61082-181009](#) [622-3653LF](#) [63453-116](#) [636-1030](#) [636-1427](#) [636-3427](#) [636-4007](#) [641938-9](#) [641991-4](#) [644827-2](#) [65817-](#)
[010LF](#) [65817-015LF](#) [65863-015LF](#) [66207-023LF](#) [67095-007LF](#) [67601157](#) [68645-018](#) [68648-049](#) [70.362.1628.0](#) [70-4210](#) [70-4226B](#) [70-](#)
[4853B](#) [707-5020](#) [707-5028](#) [71.350.2428.0](#) [71918-208LF](#) [71961-016LF](#) [733-134](#) [733-162](#) [754199-000](#) [760-3052](#) [787-8014-00](#) [79531-3000](#)
[FCN-360C032-B](#) [FCN-367T-T012/H](#) [FCN-723D010/2](#) [80.063.4001.1](#) [800-90-001-10-001000](#) [800-90-010-10-002000](#) [801-43-002-10-013000](#)