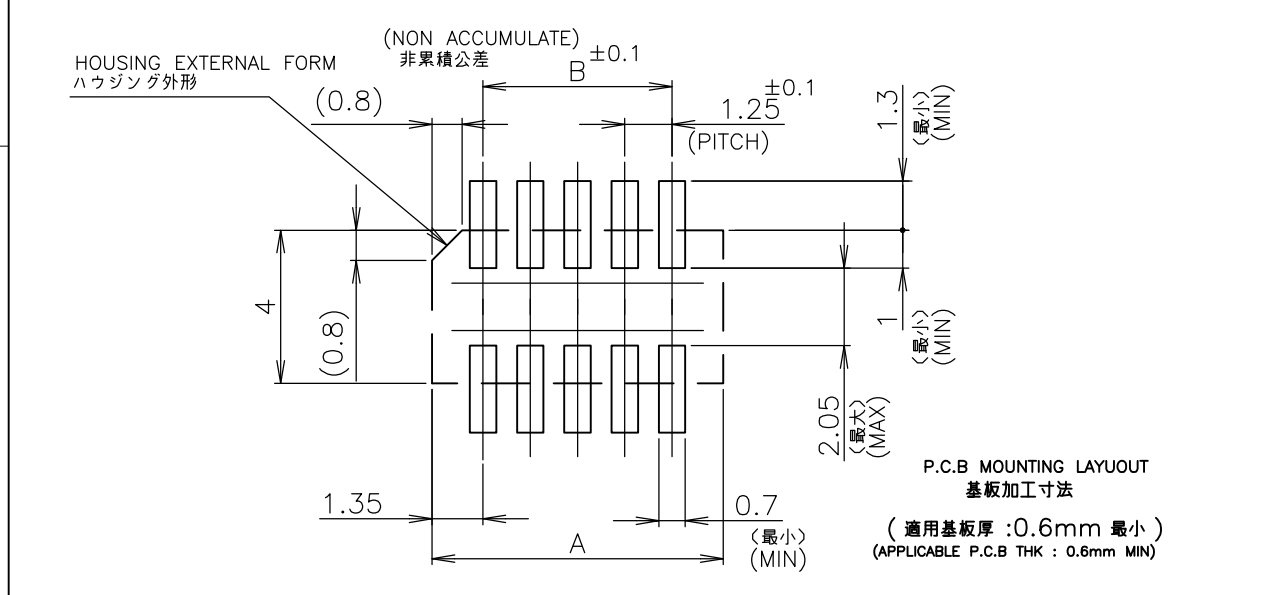
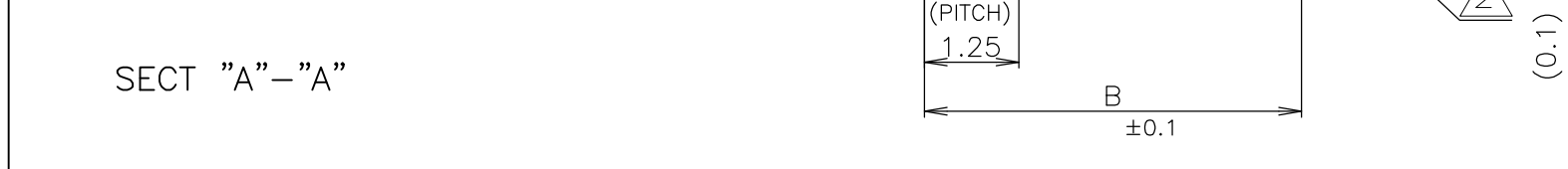
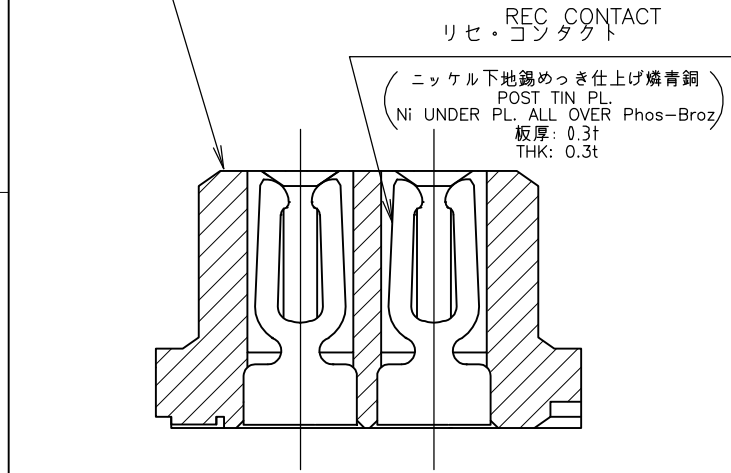
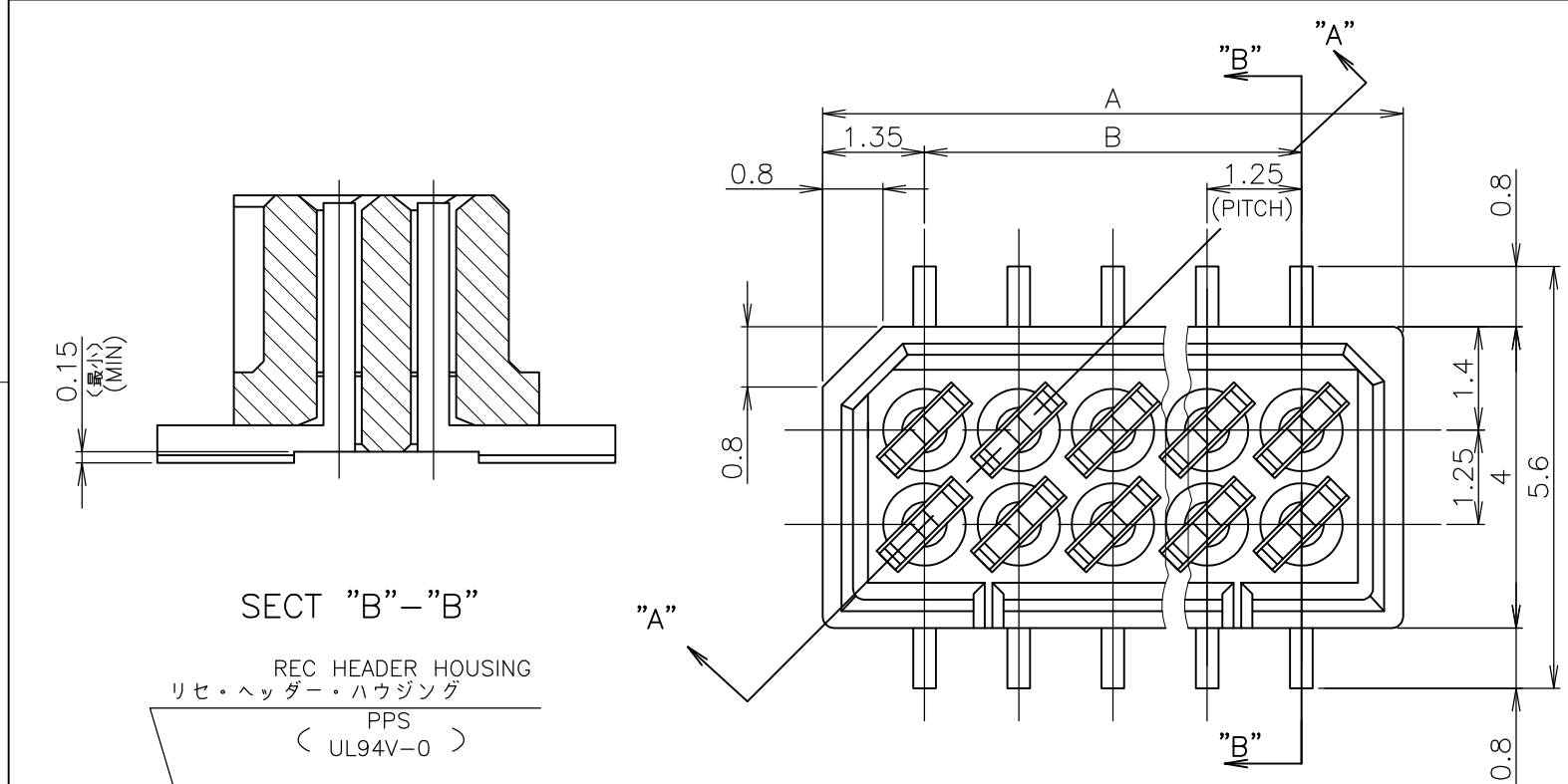


THIS DRAWING IS UNPUBLISHED. RELEASED FOR PUBLICATION ? ? ?  
 © COPYRIGHT ? By Tyco Electronics Japan G.K. ALL RIGHTS RESERVED.

| LOC | DIST | REVISIONS |     |                       |           |     |      |
|-----|------|-----------|-----|-----------------------|-----------|-----|------|
|     |      | P         | LTR | DESCRIPTION           | DATE      | DWN | APVD |
| J   |      | L         |     | REVISED ECR-14-010014 | 20NOV2014 | I.T | W.H  |



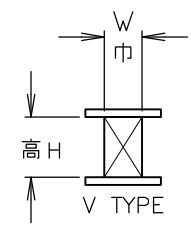
NOTES  
 1 嵌合相手製品型番及び、嵌合時寸法は MATING COUNTER PART NUMBER AND DIMENSIONS 表-1 参照のこと。 AFTER MATING: SEE TABLE 1.

嵌合時寸法: 巾(mm)×高さ(mm)  
DIMENSIONS AFTER MATING: WIDE(mm) x HEIGHT(mm)

| DIP TYPE | MATING COUNTER CONN<br>嵌合相手側コネクタ<br>POST HDR ASSY       |     | REC HDR ASSY<br>SMT V TYPE<br>WITHOUT BOSS<br>X-174604-X |                       |
|----------|---------------------------------------------------------|-----|----------------------------------------------------------|-----------------------|
|          | 製品型番                                                    | P/N | 高さ H                                                     |                       |
| DIP TYPE | X-174643-X                                              |     | 3.95                                                     | 4.0 (巾W) x 5.0 (高さH)  |
|          |                                                         |     | 5.95                                                     | 4.0 (巾W) x 7.0 (高さH)  |
| SMT TYPE | ボス無 WITHOUT BOSS X-174645-X<br>ボス付 WITH BOSS X-174821-X |     | 3.95                                                     | 5.6 (巾W) x 5.0 (高さH)  |
|          |                                                         |     | 5.45                                                     | 5.6 (巾W) x 6.5 (高さH)  |
|          |                                                         |     | 5.95                                                     | 5.6 (巾W) x 7.0 (高さH)  |
| SMT TYPE | ボス無 WITHOUT BOSS X-178040-X<br>ボス付 WITH BOSS X-176756-X |     | 9.35                                                     | 7.0 (巾W) x 10.5 (高さH) |

TABLE 1 SMT TYPEは、巾及び高さ寸法に SMT TYPE INCLUDE DIMENSIONS 半田付タイプ寸法を含みます。 OF SOLDER DIP TYPE.

2 基板位置決め用ボス切断跡。 CUT MARK OF POSITIONER BOSS.



|          |          |   |       |         |    |        |          |
|----------|----------|---|-------|---------|----|--------|----------|
| OBSOLETE |          |   | 11.25 | 13.95   | 20 | 5-     | -0       |
|          |          |   | 10.00 | 12.70   | 18 | 4-     | -8       |
|          |          |   | 8.75  | 11.45   | 16 | 4-     | -6       |
|          |          |   | 7.50  | 10.20   | 14 | 4-     | -4       |
|          |          |   | 6.25  | 8.95    | 12 | 4-     | -2       |
|          |          |   | 5.00  | 7.70    | 10 | 4-     | -0       |
|          | 黒色 BLACK |   | 2.50  | 5.20    | 6  | 3-     | 174904-6 |
| OBSOLETE | 色別 COLOR | B | A     | 極数 Pos. |    | 型番 P/N |          |

THIS DRAWING IS A CONTROLLED DOCUMENT.

|                         |                                                                                     |
|-------------------------|-------------------------------------------------------------------------------------|
| DWN J.TANIGAWA 31MAY88  | TE Connectivity                                                                     |
| CHK S.KIKUCHI 31MAY88   |                                                                                     |
| APVD N.ONOUE 31MAY88    |                                                                                     |
| NAME 名称                 |                                                                                     |
| PRODUCT SPEC 製品規格       | 1.25 F-P CONNECTOR (B-TO-B)<br>DOUBLE ROW REC HDR ASSY (V)<br>SMT TYPE WITHOUT BOSS |
| APPLICATION SPEC 取付適用規格 | SIZE A3 CAGE CODE 00779 DRAWING NO. C-174904 RESTRICTED TO                          |
| WEIGHT                  | SCALE 尺度 10:1 SHEET 1 OF 1 REV L                                                    |

CUSTOMER DRAWING

## X-ON Electronics

Largest Supplier of Electrical and Electronic Components

*Click to view similar products for [Board to Board & Mezzanine Connectors](#) category:*

*Click to view products by [TE Connectivity](#) manufacturer:*

Other Similar products are found below :

[10135583-642402LF](#) [89885-310LF](#) [589158040000018](#) [6-1393048-0](#) [68683-613](#) [MDF7-12DP-2.54DSA](#) [MDF7-18P-2.54DSA\(01\)](#) [MDF7-20DP-2.54DSA](#) [MDF7-26D-2.54DSA\(55\)](#) [MDF7-3P-2.54DSA\(01\)](#) [MDF7B-20P-2.54DSA\(01\)](#) [MDF7B-3P-2.54DSA\(55\)](#) [MDF7C-18P-2.54DSA\(55\)](#) [MDF7P-5P-2.54DSA\(55\)](#) [75234-0516](#) [FCN-230C068-11](#) [FCN-268F012-G/BD](#) [FCN-268F036-G/BD](#) [FCN-268M012-G/0D](#) [FCN-268M024-G/1D](#) [FCN-360C008-C](#) [FCN-723J004/1](#) [MIS-048-01-F-D-DP-K](#) [832-10-034-10-001000](#) [93696-325LF](#) [11828-1FA](#) [AXK630345P](#) [18097-0013](#) [2007042-2](#) [304400-2](#) [FCN-214Q030-G/0](#) [FCN-215Q040-G/0](#) [FCN-230C068-ESA](#) [FCN-234P048-G/0](#) [FCN-235D050-G/C](#) [FCN-360A3](#) [FCN-360C040-B](#) [210-93-314-41-105000](#) [2-22603-0](#) [379-064-521-202](#) [MDF7-12P-2.54DSA\(01\)](#) [MDF7-16P-2.54DS\(56\)](#) [MDF7-16P-2.54DSA\(55\)](#) [MDF7-40DP-2.54DSA\(55\)](#) [MDF7-8P-2.54DSA\(55\)](#) [AXG720047](#) [5031084030](#) [55323-1519](#) [DF33-2P-3.3DSA\(24\)](#) [DF33-2S-3.3C](#)