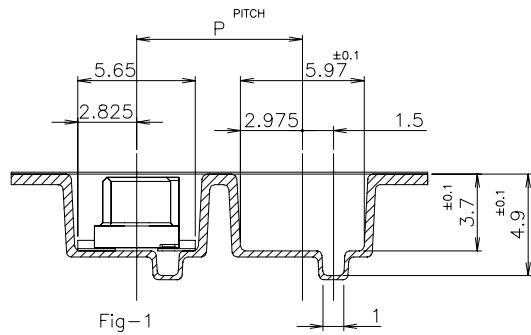
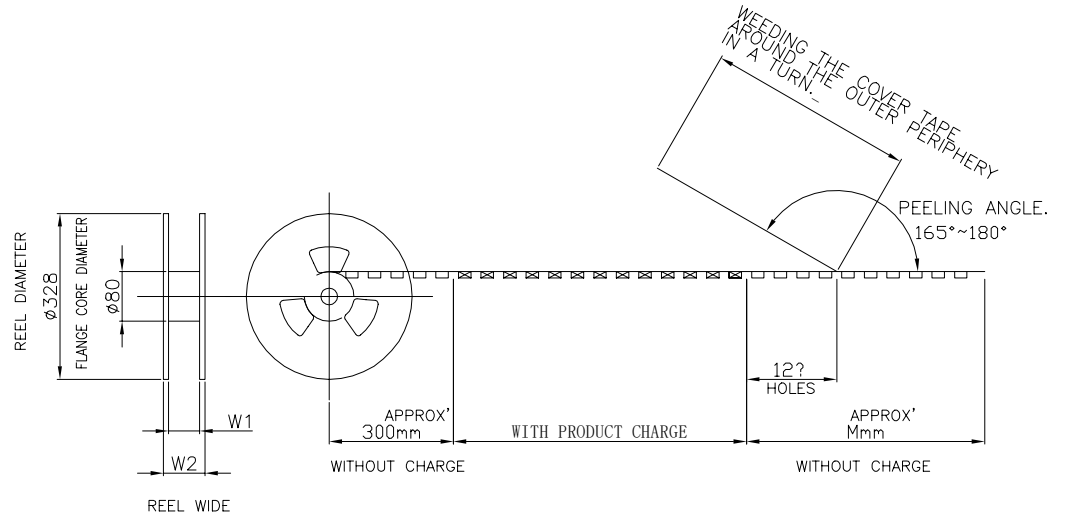
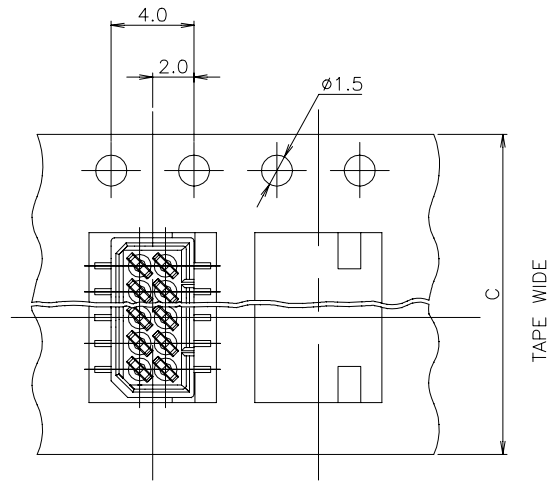


REVISIONS

P	LTR	DESCRIPTION	DATE	DWN	APVD
	H1	ECR-20-008836:ADD NEW P/NS(WITH MYLAR)	22JUNE2020	A.L	H.L



TOP OF REEL
→

NOTES;

▲ PACKING SPEC : 107-5123-1

OBsolete	▲	▲	▲	▲	▲	▲	▲	▲	▲	20	2	▲	4	5	▲	0	5	▲	0
OBsolete										18	2	▲	3	4	▲	8	4	▲	8
OBsolete	29	26	600	12					1000	16			9	4		6	4		6
	▲	▲	▲	▲	▲	▲	▲	▲	▲										
											12		8	4		2	4		2
											10	1-720999-1	4		0	4			0
OBsolete	21	18	300	8	16	1500	6	1-912050-3	3-174904-6	3-175630-6									
	W ₂	W ₁	M	P	C	QTY/REEL	Pos.	EMBOSS TAPE P/N	CONNECTOR P/N	SALABLE TAPING P/N									

WITHOUT POLYAMIDE TAPE

THIS DRAWING IS A CONTROLLED DOCUMENT.

DIMENSIONS: mm

TOLERANCES UNLESS OTHERWISE SPECIFIED:

6-PLC	±
1-PLC	±
2-PLC	±
3-PLC	±
4-PLC	±
ANGLES	±

FINISH

APVD: N.ONOUE

PRODUCT SPEC

APPLICATION SPEC

WEIGHT

CUSTOMER DRAWING

DWN: J.TANIGAWA

CHK: S.KIKUCHI

APVD: N.ONOUE

DATE: 28MAY88

DATE: 30MAY88

DATE: 30MAY88

NAME

ON TAPING (EMBOSS) 1.25 F-P CONN. DOUBLE ROW REC HDR ASS'Y (V) SMT WITHOUT BOSS

SIZE: A3

CAGE CODE: 00779

DRAWING NO: C=175630

RESTRICTED TO: -

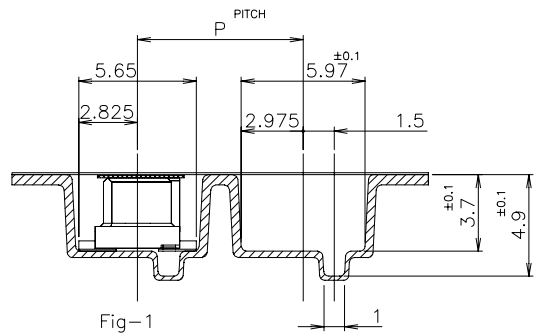
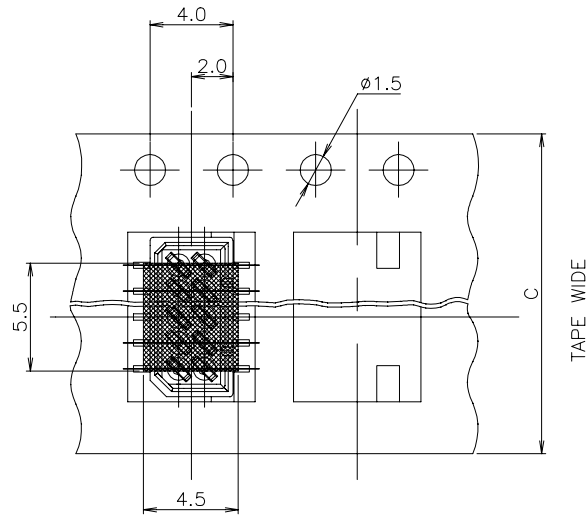
SCALE: NON

SHEET: 1 OF 2

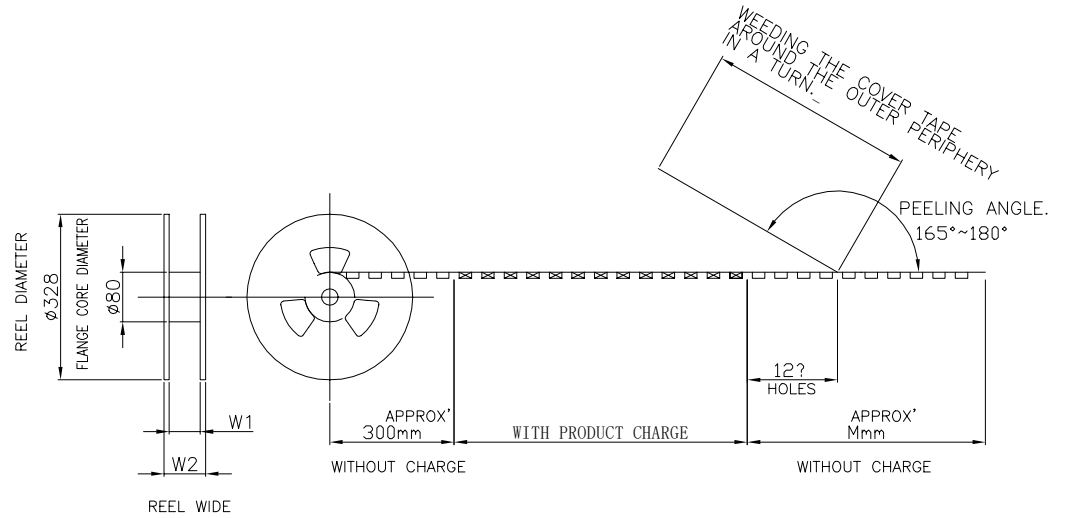
REV: H1

P	LTR	DESCRIPTION	DATE	DWN	APVD
-	-	SEE SHEET 1	-	-	-

WITH POLYAMIDE TAPE



TOP OF REEL



29	26	600	12	24	1000	16	720999-9	4-	-6	9-	-6	
21	18	300	8	24	1500	14	2-720999-2	4-	-4	4-	-4	
(H1)	21	18	300	8	16	1500	12	720999-8	4-	-2	9-	-2
(H1)	21	18	300	8	16	1500	10	1-720999-1	4-174904-0	9-175630-0		
	W ₂	W ₁	M	P	C	QTY/REEL	Pos.	EMBOSS TAPE P/N	CONNECTOR P/N	SALABLE TAPING P/N		

THIS DRAWING IS A CONTROLLED DOCUMENT.

DWN J.TANIGAWA 28MAY88		TE Connectivity Ltd.			
CHK S.KIKUCHI 30MAY88					
APVD N.ONOUE 30MAY88		NAME			
PRODUCT SPEC		ON TAPING (EMBOSS)1.25 F-P CONNECTOR B-TO-B DOUBLE ROW REC HDR ASS'Y (V) SMT TYPE WITHOUT BOSS, W/CAP			
APPLICATION SPEC		SIZE	CAGE CODE	DRAWING NO	RESTRICTED TO
WEIGHT		A3	00779	C=175630	-
MATERIAL		CUSTOMER DRAWING		SCALE	SHEET
FINISH				NON	2 OF 2
				REV	H1

X-ON Electronics

Largest Supplier of Electrical and Electronic Components

Click to view similar products for [Board to Board & Mezzanine Connectors](#) category:

Click to view products by [TE Connectivity](#) manufacturer:

Other Similar products are found below :

[589158040000018](#) [MDF7C-18P-2.54DSA\(55\)](#) [FCN-230C068-11](#) [FCN-268F012-G/BD](#) [FCN-268F036-G/BD](#) [FCN-268M012-G/0D](#) [FCN-268M024-G/1D](#) [FCN-723J004/1](#) [MIS-048-01-F-D-DP-K](#) [832-10-034-10-001000](#) [FX4C-80S-1.27DSA](#) [FCN-214Q030-G/0](#) [FCN-234P048-G/0](#) [FCN-235D050-G/C](#) [210-93-314-41-105000](#) [2-22603-0](#) [MDF7-40DP-2.54DSA\(55\)](#) [AXG720047](#) [5031084030](#) [MIT-114-03-F-D-K](#) [55323-1519](#) [DF33-2P-3.3DSA\(24\)](#) [YFT-20-05-H-03-SB-K](#) [503308-3040](#) [026-6203-PDB](#) [027-6203-PDB](#) [069159702701000](#) [10123981-102LF](#) [101A10019X](#) [55650-0588-C](#) [68682-310LF](#) [68684-306](#) [75140-7012](#) [87471-650](#) [194261-1](#) [FCN-268F024-G0D](#) [10124054-515LF](#) [68685-603](#) [8-1616154-3](#) [MIS-019-01-F-D](#) [541371078](#) [IL-WX-10PB-HF-B-E1000E](#) [FCN-268M024-G/3D](#) [20021832-06016C1LF](#) [KX15-20KLDL-E1000E](#) [MDF7-16DP-2.54DSA\(55\)](#) [AXE810124](#) [FCN-214J100-G/0](#) [FCN-230C068-E/S](#) [AXE812124](#)