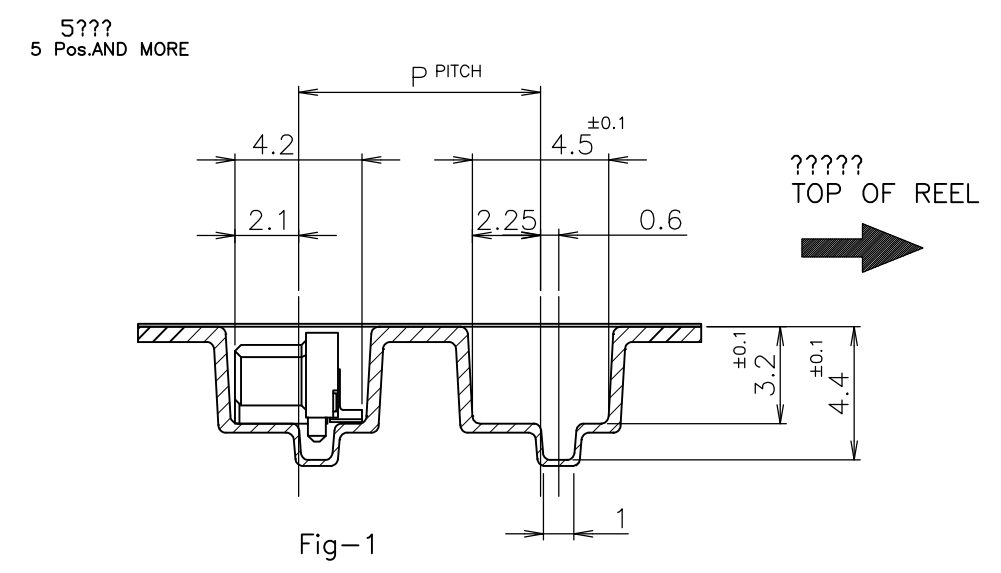
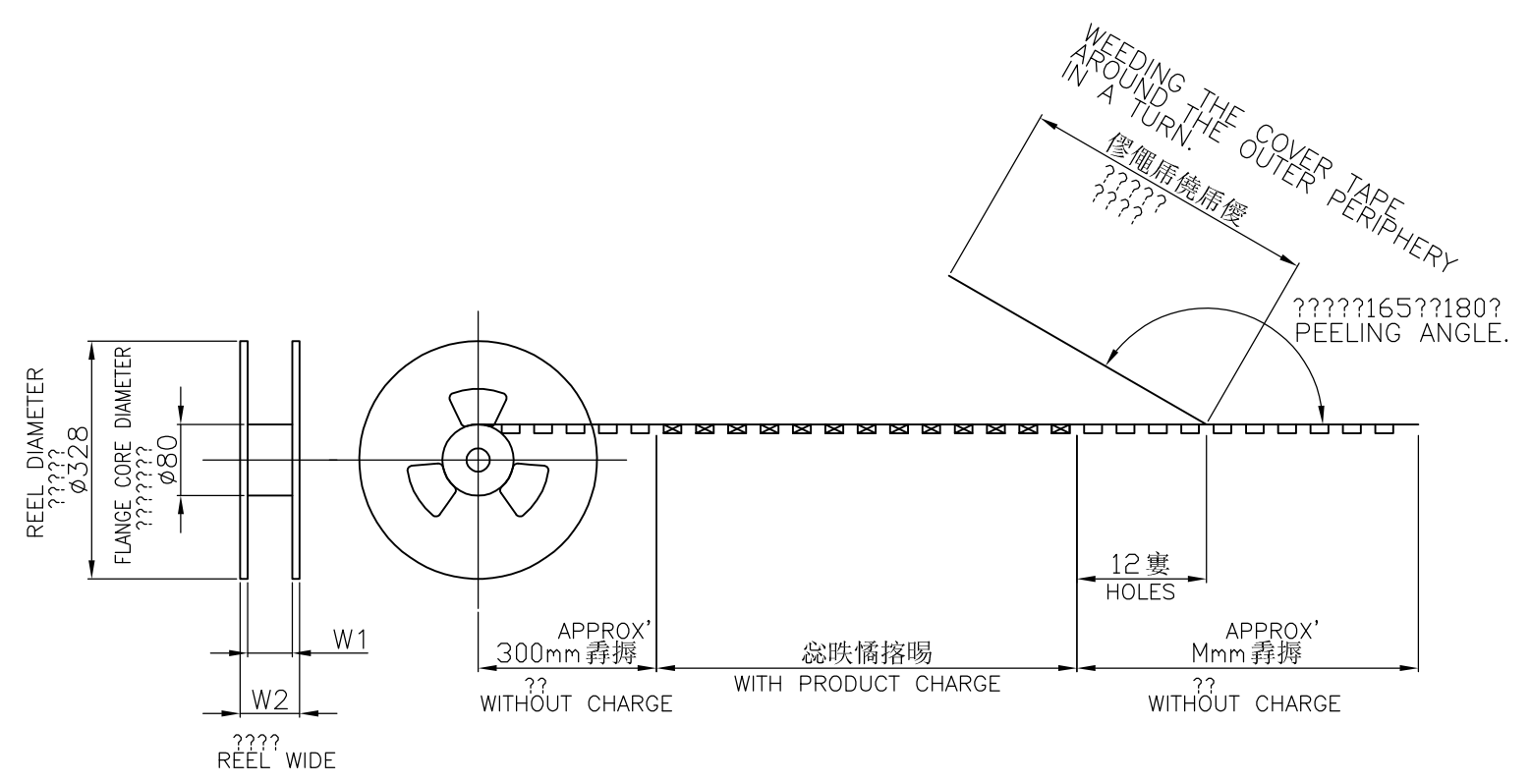
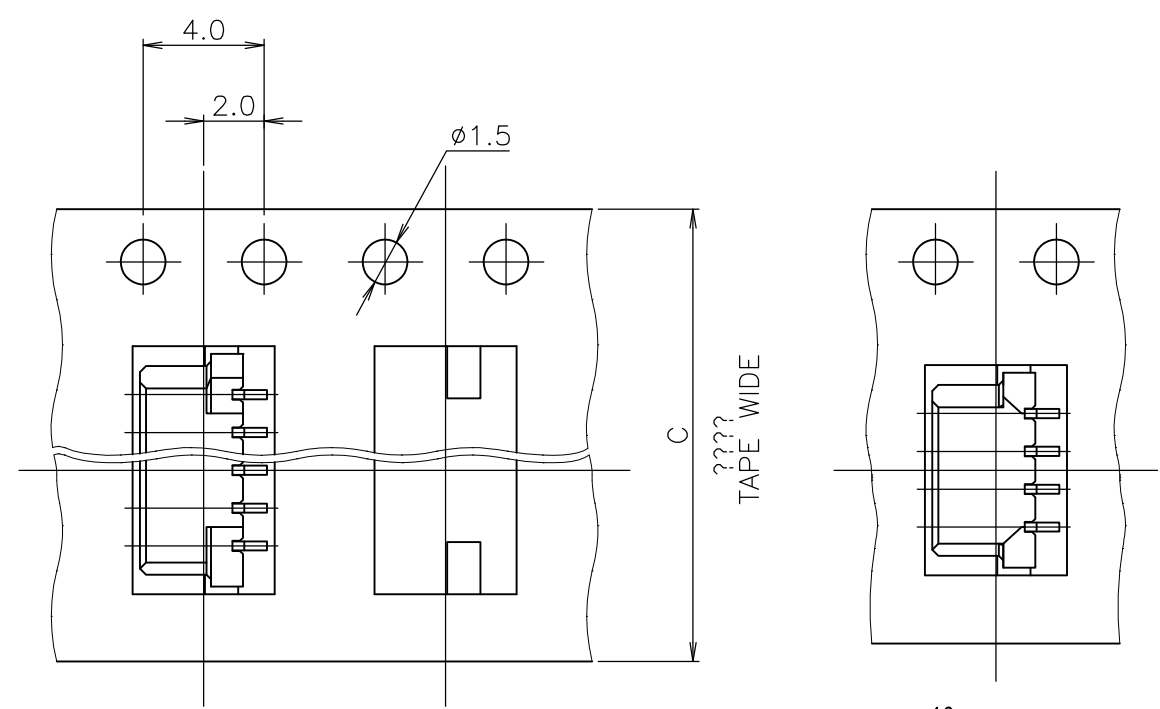


THIS DRAWING IS UNPUBLISHED. RELEASED FOR PUBLICATION
 © COPYRIGHT By - ALL RIGHTS RESERVED.

LOC	DIST	REVISIONS			
P	LTR	DESCRIPTION	DATE	DWN	APVD
J		F1	RE-ACTIVE 3-* -6 AND 4-* -0	05JUN2015	I.T W.H



RE-ACTIVE	29	26	600	12	24	1000	10	5-	-4	4-	-0	4-	-0
OBSOLETE	29	26	600	12	24	1000	8		-6	3-	-8	3-	-8
RE-ACTIVE							7	2-	-1	3-	-7	3-	-7
OBSOLETE							6	2-	-0	3-	-6	3-	-6
							5	1-720999-8		3-	-5	3-	-5
	21	18	300	8	16	1500	4	6-912053-4		3-174638-4		3-175637-4	
	W ₂	W ₁	M	P	C	?? (?) QTY/REEL	?? (??) Pos.	????? ? ? EMBOSS TAPE P/N	????? (???) CONNECTOR P/N	????? ????? TAPING P/N			

???

▲ ???? : 107-5123-1

NOTES;

▲ PACKING SPEC : 107-5123-1

THIS DRAWING IS A CONTROLLED DOCUMENT.

DWN J.TANIGAWA 28MAY88
 CHK S.KIKUCHI 30MAY88
 APVD N.ONOUE 30MAY88

STE TE Connectivity

NAME: ON TAPING (EMBOSS) 1.25 F-P CONNECTOR (B-TO-B) SINGLE ROW REC HDR ASS'Y (H) SMT TYPE WITH BOSS

PRODUCT SPEC APPLICATION SPEC WEIGHT

SIZE: A3 CAGE CODE: 00779 DRAWING NO: C-175637 RESTRICTED TO: -

CUSTOMER DRAWING SCALE: NON SHEET: 1 OF 1 REV: F1

X-ON Electronics

Largest Supplier of Electrical and Electronic Components

Click to view similar products for [Board to Board & Mezzanine Connectors](#) category:

Click to view products by [TE Connectivity](#) manufacturer:

Other Similar products are found below :

[589158040000018](#) [MDF7C-18P-2.54DSA\(55\)](#) [FCN-230C068-11](#) [FCN-268F012-G/BD](#) [FCN-268F036-G/BD](#) [FCN-268M012-G/0D](#) [FCN-268M024-G/1D](#) [FCN-723J004/1](#) [MIS-048-01-F-D-DP-K](#) [832-10-034-10-001000](#) [FX4C-80S-1.27DSA](#) [FCN-214Q030-G/0](#) [FCN-234P048-G/0](#) [FCN-235D050-G/C](#) [210-93-314-41-105000](#) [2-22603-0](#) [MDF7-40DP-2.54DSA\(55\)](#) [AXG720047](#) [5031084030](#) [MIT-114-03-F-D-K](#) [55323-1519](#) [DF33-2P-3.3DSA\(24\)](#) [YFT-20-05-H-03-SB-K](#) [503308-3040](#) [026-6203-PDB](#) [027-6203-PDB](#) [069159702701000](#) [10123981-102LF](#) [101A10019X](#) [55650-0588-C](#) [68682-310LF](#) [68684-306](#) [75140-7012](#) [87471-650](#) [194261-1](#) [FCN-268F024-G0D](#) [10124054-515LF](#) [68685-603](#) [8-1616154-3](#) [MIS-019-01-F-D](#) [FCN-268M024-G/3D](#) [20021832-06016C1LF](#) [KX15-20KLDL-E1000E](#) [MDF7-16DP-2.54DSA\(55\)](#) [AXE810124](#) [FCN-214J100-G/0](#) [FCN-230C068-E/S](#) [AXE812124](#) [AXE816124](#) [AXE720127](#)