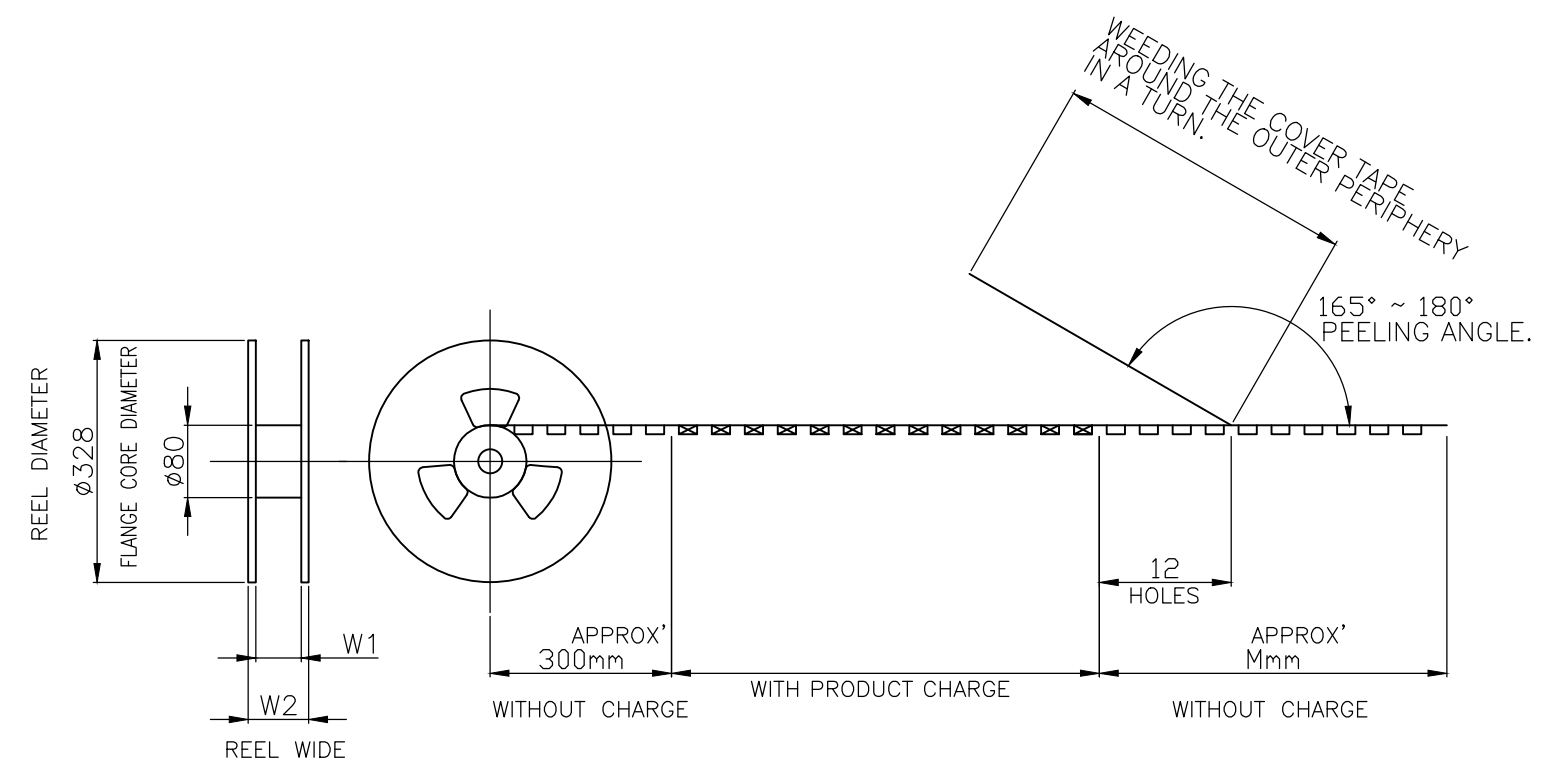
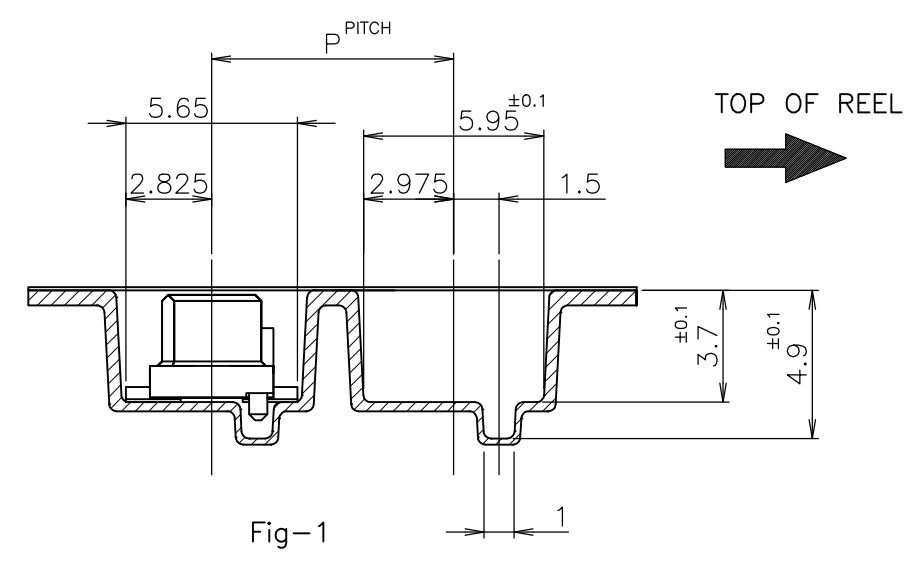
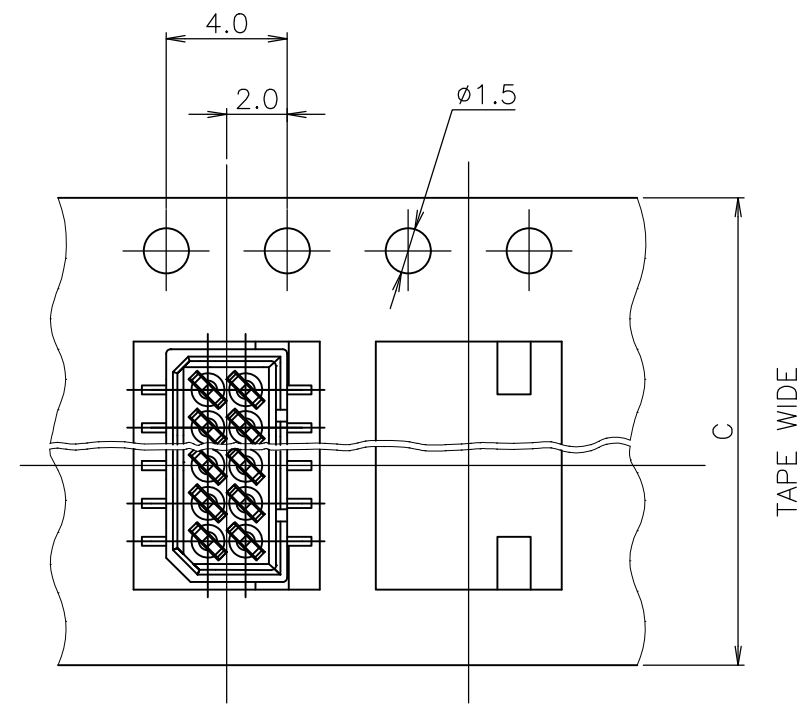


THIS DRAWING IS UNPUBLISHED. RELEASED FOR PUBLICATION
 © COPYRIGHT By - ALL RIGHTS RESERVED.

P	LTR	DESCRIPTION	DATE	DWN	APVD
J		REVISED PER ECR-16-013051	14SEP2016	WL	SY
K		REVISED PER ECO-17-010005	10OCT2017	R.L	S.Y



NOTES;
 ▲ PACKING SPEC : 107-5123-1

							20	2-	4	5-	0	5-	0
							18	2-	-3	4-	-8	4-	-8
29	26	600	12	24	1000	16		-9	4-	-6	4-	-6	
						14	2-	-2	4-	-4	4-	-4	
						12		-8	4-	-2	4-	-2	
						10	1-720999-1		4-	-0	4-	-0	
21	18	300	8	16	1500	6	1-912050-3		3-174639-6		3-175638-6		
W ₂	W ₁	M	P	C	QTY/REEL	Pos.	EMBOSS TAPE P/N		CONNECTOR P/N		TAPING P/N		

THIS DRAWING IS A CONTROLLED DOCUMENT.		DWN J.TANIGAWA 28MAY88	TE Connectivity	
DIMENSIONS: mm		CHK S.KIKUCHI 30MAY88		
TOLERANCES UNLESS OTHERWISE SPECIFIED:		APVD N.ONOUE 30MAY88	NAME	
0-PLC ± 1-PLC ± 2-PLC ± 3-PLC ± 4-PLC ± ANGLES ± FINISH ±		PRODUCT SPEC	ON TAPING 1.25 F-P CONNECTOR DOUBLE ROW REC HDR ASS'Y (V) SMT TYPE WITH BOSS	
MATERIAL		APPLICATION SPEC	SIZE	RESTRICTED TO
		WEIGHT 0.000000	CAGE CODE A300779	DRAWING NO C-175638
		CUSTOMER DRAWING	SCALE 4:1	SHEET 1 OF 2
			REV K	

THIS DRAWING IS UNPUBLISHED. RELEASED FOR PUBLICATION
 © COPYRIGHT By - ALL RIGHTS RESERVED.

REVISIONS					
P	LTR	DESCRIPTION	DATE	DWN	APVD
-	-	SEE SHEET 1	-	-	-

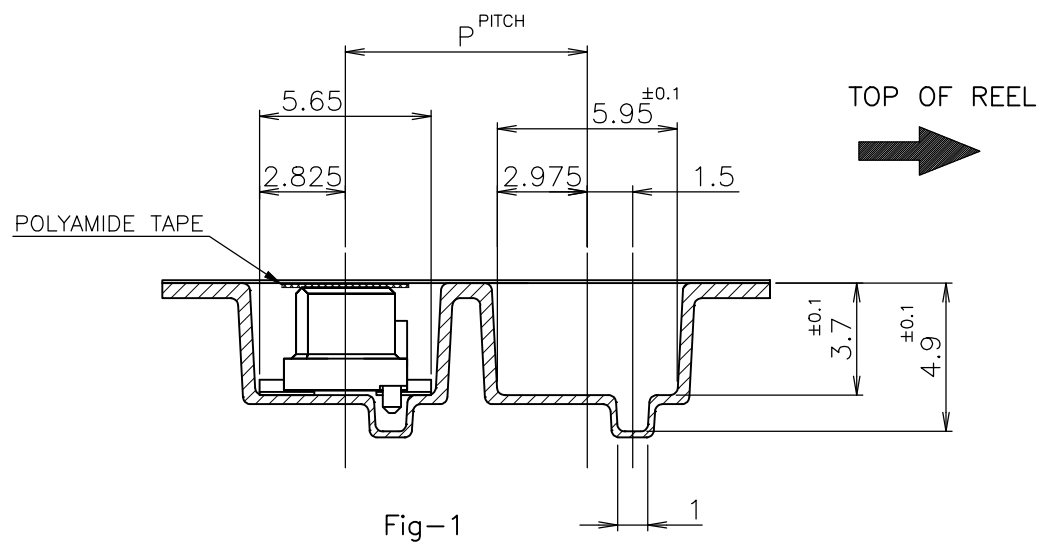
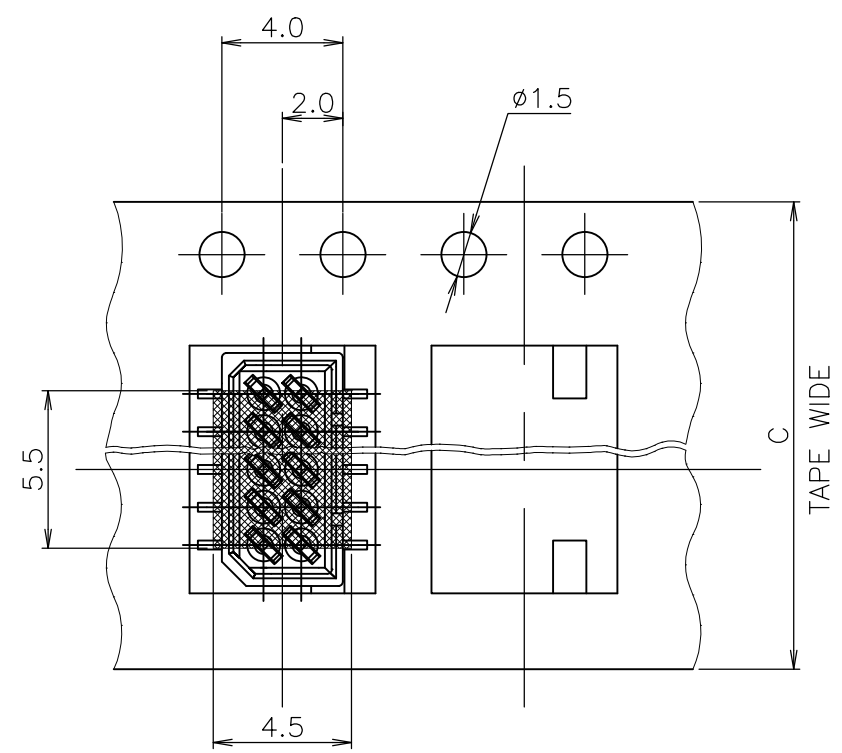
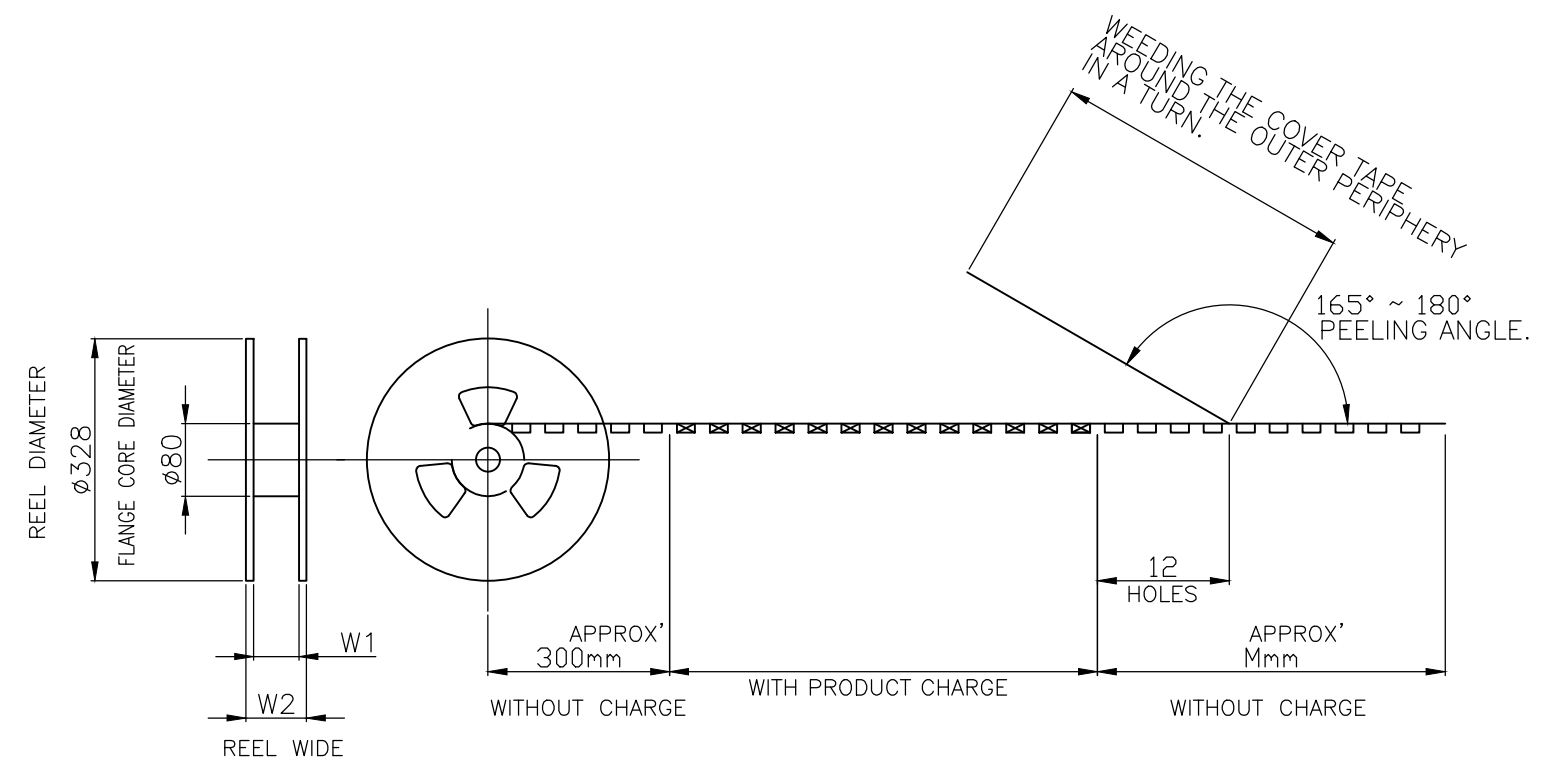


Fig-1

WITH POLYAMIDE TAPE



NOTES;
 ▲ PACKING SPEC : 107-5123-1

↑	↑	↑	↑	↑	↑	20	2-	4	5-	0	7-	0
↑	↑	↑	↑	↑	↑	18	2-	-3	4-	-8	6-	-8
29	26	600	12	24	1000	16		-9	4-	-6	6-	-6
↑	↑	↑	↑	↑	↑	14	2-	-2	4-	-4	6-	-4
↑	↑	↑	↑	↑	↑	12		-8	4-	-2	6-	-2
① OBSOLETE												
21	18	300	8	16	1500	6	1-912050-3	3-174639-6	5-175638-6			
W ₂	W ₁	M	P	C	QTY/REEL	Pos.	EMBOSS TAPE P/N	CONNECTOR P/N	TAPING P/N			

THIS DRAWING IS A CONTROLLED DOCUMENT.		DWN J.TANIGAWA 28MAY88	TE Connectivity			
DIMENSIONS: mm		CHK S.KIKUCHI 30MAY88				
TOLERANCES UNLESS OTHERWISE SPECIFIED:		APVD N.ONOUE 30MAY88	NAME			
0-PLC ± 1-PLC ± 2-PLC ± 3-PLC ± 4-PLC ± ANGLES ± FINISH ±		PRODUCT SPEC	ON TAPING 1.25 F-P CONNECTOR DOUBLE ROW REC HDR ASS'Y (V) SMT TYPE WITH BOSS			
MATERIAL		APPLICATION SPEC	SIZE	CAGE CODE	DRAWING NO	RESTRICTED TO
		WEIGHT 0.000000	A3	00779	C-175638	-
		CUSTOMER DRAWING	SCALE	SHEET	REV	
			4:1	2 OF 2	K	

X-ON Electronics

Largest Supplier of Electrical and Electronic Components

Click to view similar products for [Board to Board & Mezzanine Connectors](#) category:

Click to view products by [TE Connectivity](#) manufacturer:

Other Similar products are found below :

[589158040000018](#) [FCN-230C068-11](#) [FCN-268F012-G/BD](#) [FCN-268F036-G/BD](#) [FCN-268M012-G/0D](#) [FCN-268M024-G/1D](#) [FCN-723J004/1](#) [MIS-048-01-F-D-DP-K](#) [832-10-034-10-001000](#) [FX4C-80S-1.27DSA](#) [FCN-214Q030-G/0](#) [FCN-234P048-G/0](#) [FCN-235D050-G/C](#) [210-93-314-41-105000](#) [2-22603-0](#) [MDF7-40DP-2.54DSA\(55\)](#) [AXG720047](#) [5031084030](#) [MIT-114-03-F-D-K](#) [55323-1519](#) [DF33-2P-3.3DSA\(24\)](#) [YFT-20-05-H-03-SB-K](#) [503308-3040](#) [026-6203-PDB](#) [027-6203-PDB](#) [069159702701000](#) [10123981-102LF](#) [101A10019X](#) [55650-0588-C](#) [68684-306](#) [75140-7012](#) [589159005003045](#) [194261-1](#) [FCN-268F024-G0D](#) [10124054-515LF](#) [68685-603](#) [8-1616154-3](#) [MIS-019-01-F-D](#) [589159005002045](#) [541371078](#) [IL-WX-10PB-HF-B-E1000E](#) [FCN-268M024-G/3D](#) [20021832-06016C1LF](#) [KX15-20KLDL-E1000E](#) [MDF7-16DP-2.54DSA\(55\)](#) [AXE810124](#) [FCN-214J100-G/0](#) [FCN-230C068-E/S](#) [AXE812124](#) [AXE816124](#)