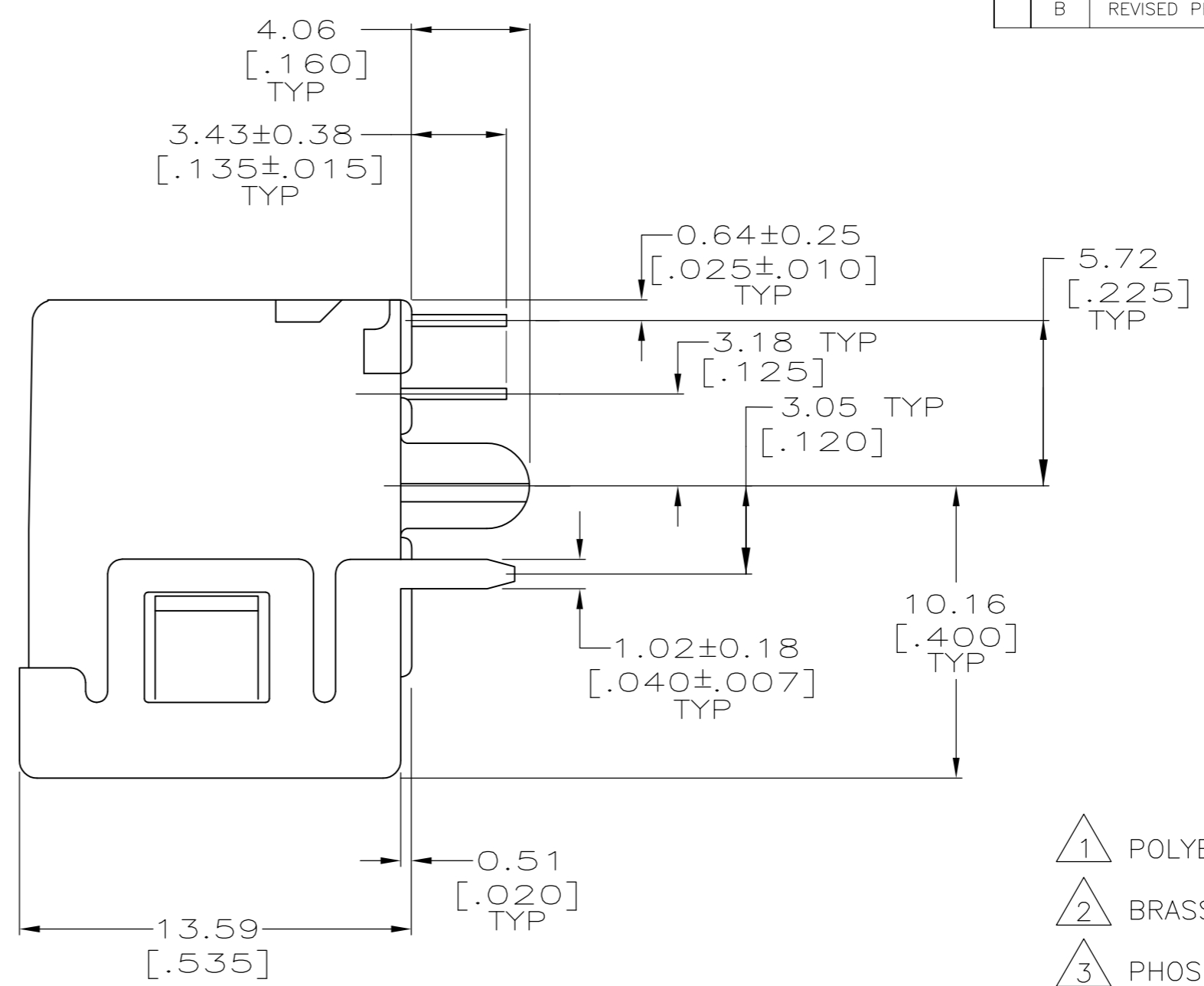
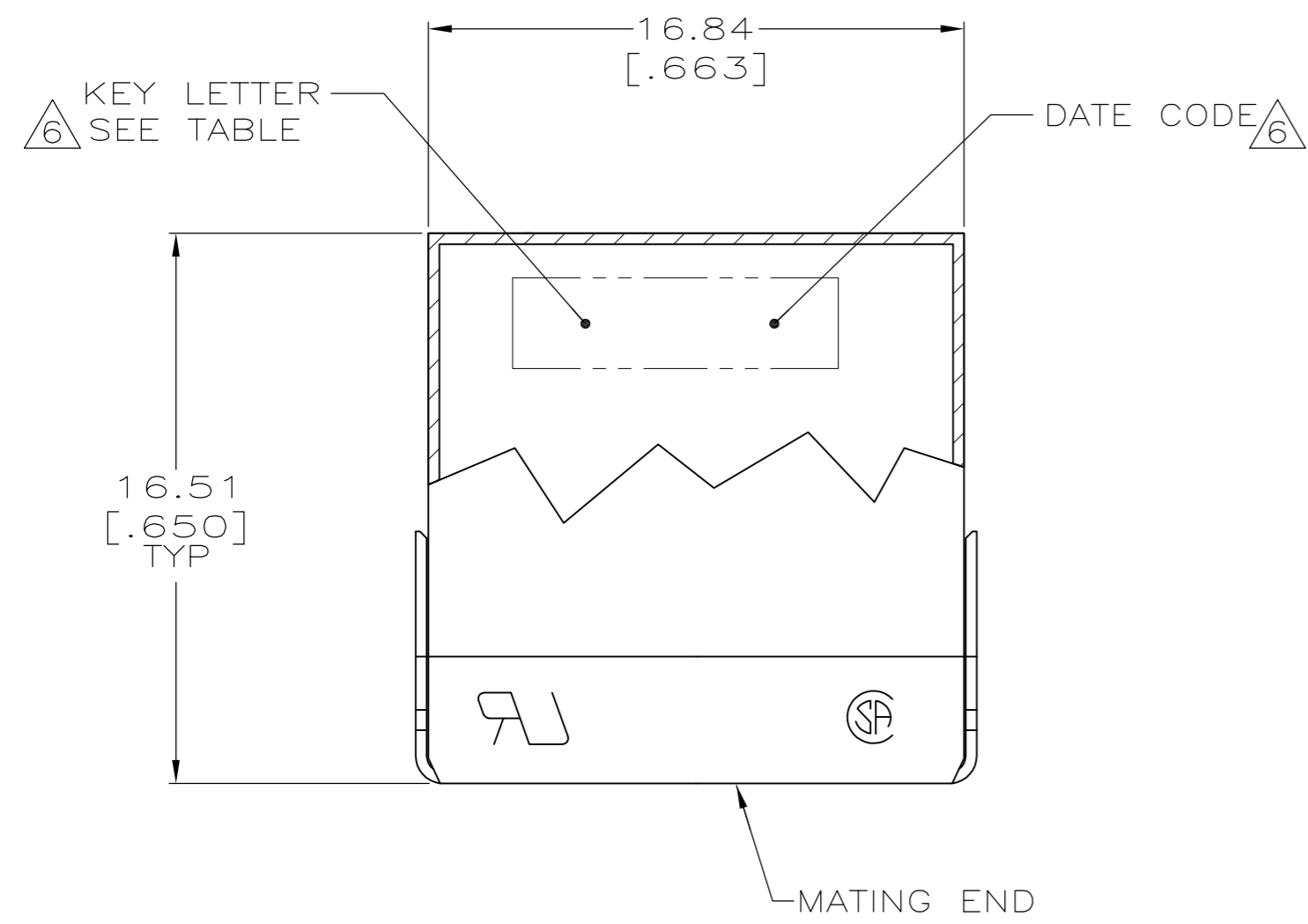
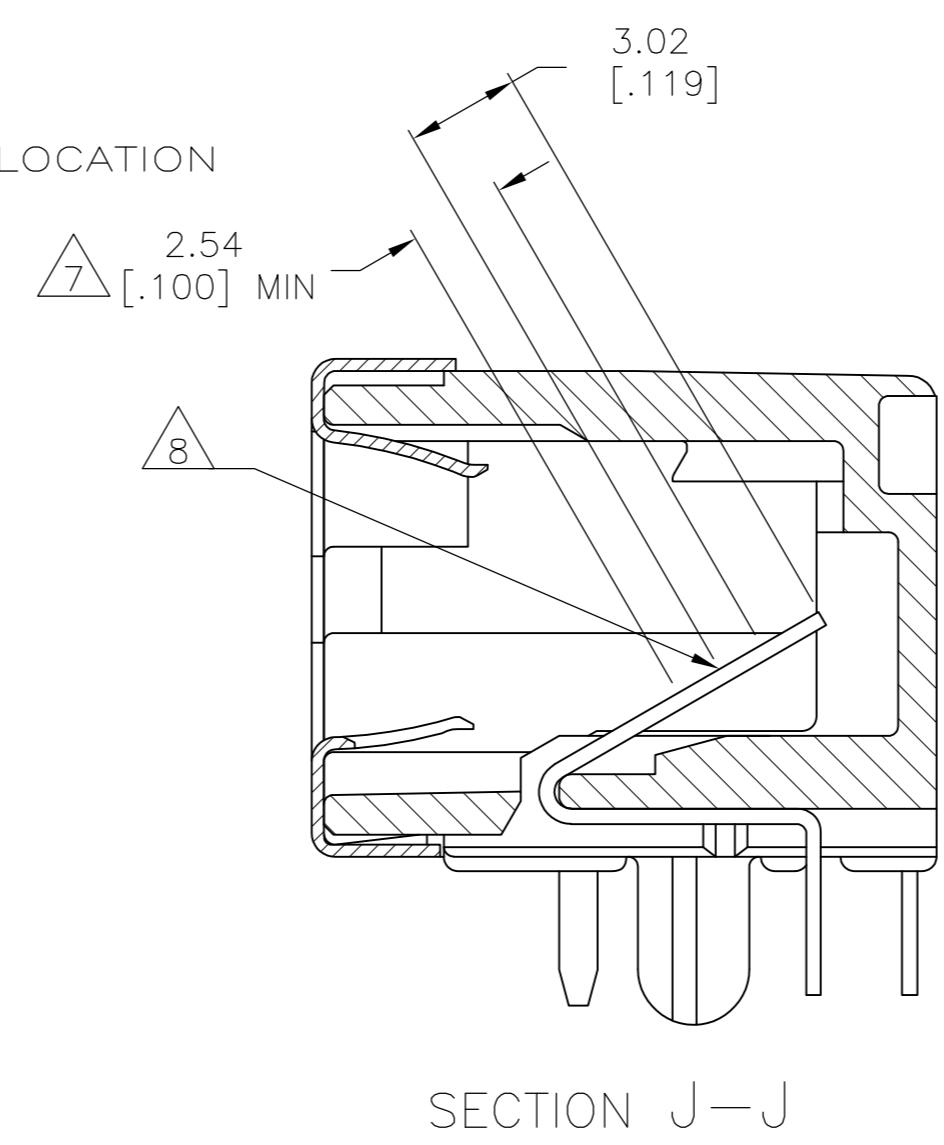
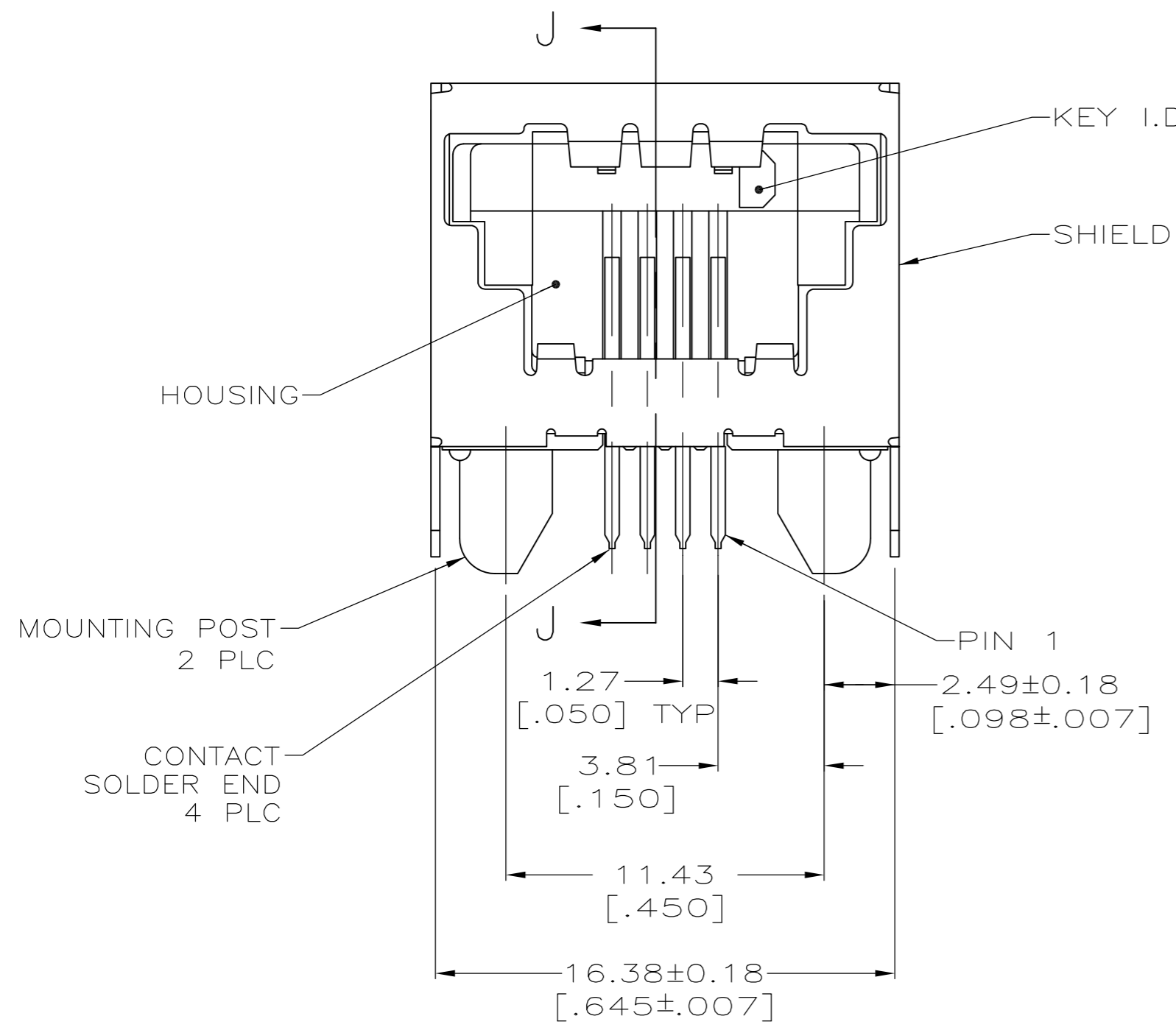


THIS DRAWING IS UNPUBLISHED. RELEASED FOR PUBLICATION
 © COPYRIGHT - By - ALL RIGHTS RESERVED.

Loc		DIST		REVISIONS			
P	LTR	DESCRIPTION	DATE	DWN	APVD		
GP	00	B	REVISED PER ECO-11-019758	15FEB2012	CJV	CWR	



- 1 POLYESTER, UL 94V-0 RATED, BLACK.
- 2 BRASS.
- 3 PHOSPHOR BRONZE.
- 4 3.81µm [.000150] MIN BRIGHT TIN OVER 1.27µm [.000050] MIN NICKEL.
- 5 3.81µm [.000150] MIN MATTE TIN ON SOLDER END, 1.27µm [.000050] MIN GOLD ON MATING END FOR A LENGTH OF 2.54 [.100] MIN ON MATING SURFACE, ALL OVER 1.27µm [.000050] MIN NICKEL.
- 6 KEY IDENTIFICATION LETTER AND DATE CODE HOT STAMPED ON HOUSING, THIS SURFACE, LOCATED APPROXIMATELY AS SHOWN.
- 7 DIMENSION INDICATES CONTACT MATING AREA.
- 8 PLATING MEASUREMENT POINT.



SECTION J-J

D	4-1761206-1
KEY I.D. LETTER	PART NO

THIS DRAWING IS A CONTROLLED DOCUMENT. DIMENSIONING AND TOLERANCING PER ASME Y14.5M-2009		DWN B. MCMASTER 30APR04	TE Connectivity	
DIMENSIONS: mm [INCHES]		CHK C. ROHDE 30APR04	RECEPTACLE ASSEMBLY, 4 POSITION, SIDE ENTRY, SDL	
TOLERANCES UNLESS OTHERWISE SPECIFIED:		APVD M. WALMSLEY 30APR04	NAME	
0 PLC ± -	1 PLC ± -	PRODUCT SPEC 108-2047	SIZE CAGE CODE DRAWING NO RESTRICTED TO	
2 PLC ± 0.13 [.005]	3 PLC ± -	APPLICATION SPEC 114-2081	A2 00779 C=1761206	-
4 PLC ± -	ANGLES ± -	WEIGHT -	SCALE NTS	SHEET 1 OF 1
MATERIAL	FINISH	CUSTOMER DRAWING		

X-ON Electronics

Largest Supplier of Electrical and Electronic Components

Click to view similar products for [Modular Connectors / Ethernet Connectors](#) category:

Click to view products by [TE Connectivity](#) manufacturer:

Other Similar products are found below :

[8949-H88/06BLKA/SN](#) [74441-0010/BKN](#) [MP1010RX-1000](#) [MP44RX-1000](#) [PHJ-4P4C-1-V-4](#) [PHP-6P6C-5](#) [GAX-3-66](#) [GAX-8-62](#) [GDCX-PA-66-50](#) [GDCX-PN-64](#) [GDCX-PN-66](#) [GDCX-PN-66-50](#) [GDLX-A-66](#) [GDLX-N-66](#) [GDLX-S-66](#) [GDLX-S-88K](#) [GDTX-S-88-50](#) [GDX-PA-1010](#) [GLX-N-1010M-BLK](#) [GLX-S-88M-BLK](#) [GMX-N-1010](#) [GMX-S-1010](#) [GMX-S-66](#) [GMX-SMT4-N-88](#) [GPX-2-64](#) [GSGX-N-2-88](#) [GSGX-N-4-88](#) [GSX-NS2-88-3.05](#) [GSX-NS2-88-3.05-50](#) [GSX-NS-88-3.05-50](#) [PT-108A-8C-UL](#) [PT-J951-8C](#) [PTS-J531-8CS-50UL](#) [1-1775629-2](#) [A-2014-0-4](#) [GWLX-S-88-GR](#) [GWLX-S9-88-YG](#) [DC-1021-8-WH-6](#) [1300530003](#) [1324640-4](#) [RJ11FTVC2G](#) [RJ11FTVC2N](#) [RJFTVX2SA1G](#) [132764-001](#) [1413235](#) [MP88X-1000](#) [MPS88RX-5000](#) [E5288-S000K3-L](#) [E5908-15A242-L](#) [155302-001](#)