

THIS DRAWING IS UNPUBLISHED. RELEASED FOR PUBLICATION 1990. ALL RIGHTS RESERVED.

© COPYRIGHT 1990 TE Connectivity Ltd.

REVISIONS

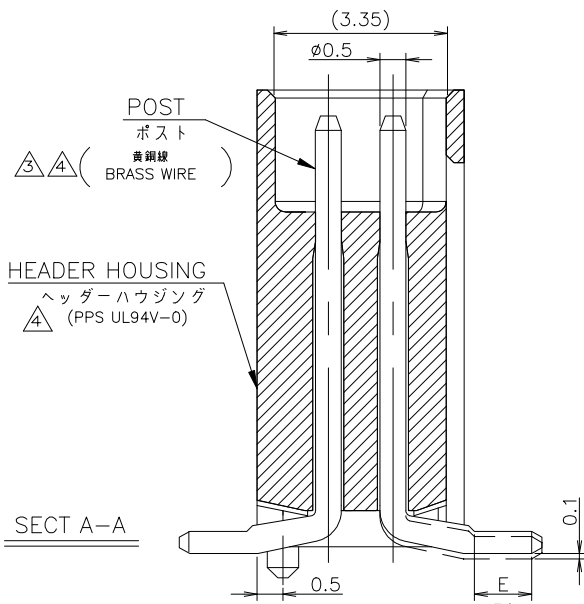
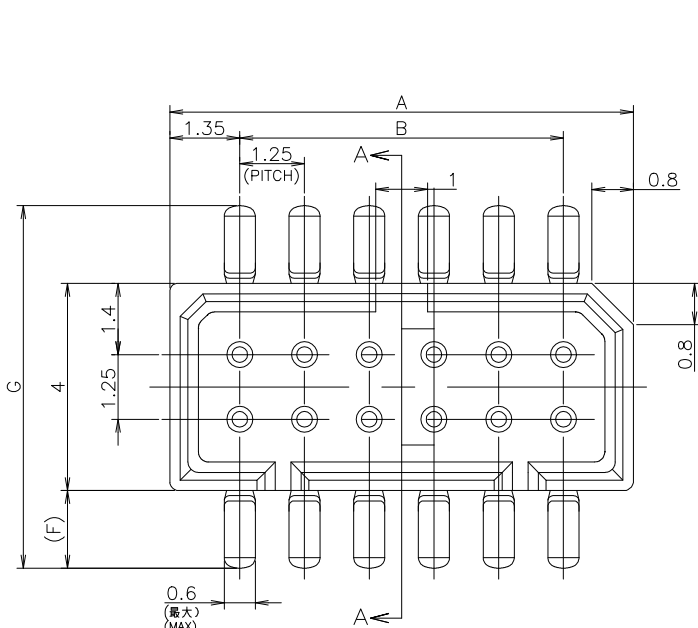
P	LTR	DESCRIPTION	DATE	DWN	APVD
D2		REVISED PER ECO-19-017238	12NOV2019	AL	HL
D1		REVISED PER ECO-10-000443	23JAN10	KK	HMR

NOTE

1 嵌合相手製品型番及び、嵌合時寸法は表-1参照のこと。

NOTE

1 MATING COUNTER PART NUMBER AND DIMENSIONS AFTER MATING: SEE TABLE 1.



嵌合時寸法: 巾(mm)x高さ(mm)  
DIMENSIONS AFTER MATING: WIDTH(mm) x HEIGHT(mm)

DIP TYPE	POST HDR ASSY		SMT TYPE-IMPROVED TYPE X-176756-X ポスト、嵌合テープ付 WITH BOSS, WITH POLYIMIDE TAPE ハウジング 高さ C寸法 HOUSING HEIGHT C DIMENSIONS	
	6.85	9.35		
V TYPE X-174635-X	5.6(巾W)x 8.0(高H)	7.0(巾W)x 10.5(高H)		
H TYPE X-174636-X	5.6(巾W)x 8.8(高H)	7.0(巾W)x 11.3(高H)		
SMT TYPE	V TYPE ポスト WITHOUT BOSS X-174904-X	5.6(巾W)x	7.0(巾W)x	
	ポスト WITH BOSS X-174639-X	8.0(高H)	10.5(高H)	
SMT TYPE	H TYPE ポスト WITHOUT BOSS X-174905-X	5.6(巾W)x	7.0(巾W)x	
	ポスト WITH BOSS X-174640-X	9.9(高H)	12.4(高H)	

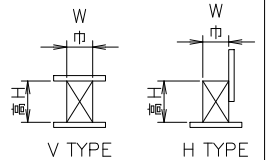
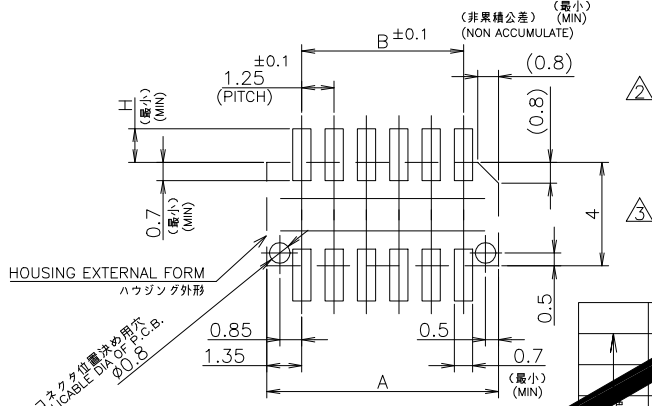
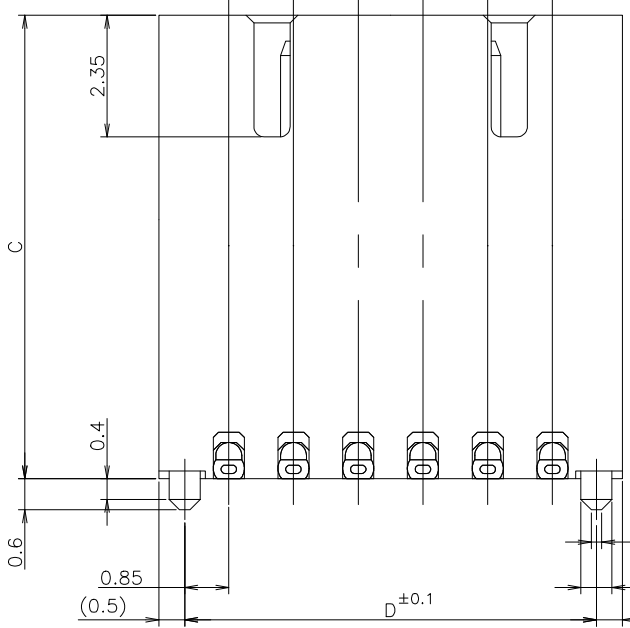


TABLE 1 表-1

SMT TYPEは、巾及び高さ寸法に半田付タイン部寸法を含みます。OF SOLDER DIP TIME.



P.C.B MOUNTING LAYOUT 基板加工寸法

適用基板厚: 0.6mm最小 (APPLICABLE P.C.B THK: 0.6mm MIN)

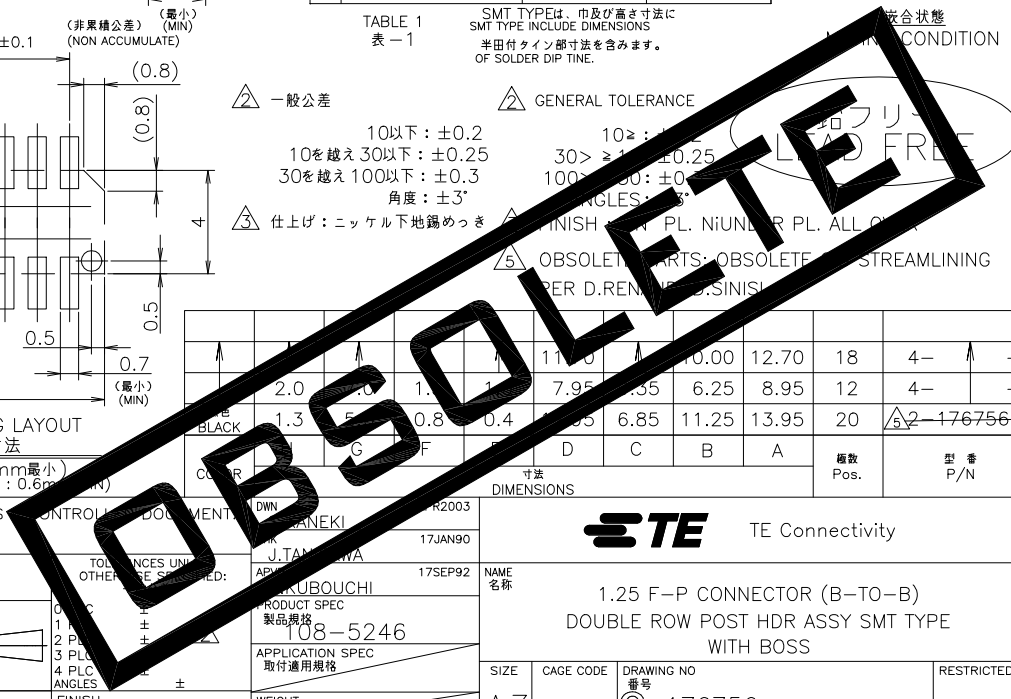
△ 一般公差  
10以下: ±0.2  
10を越え30以下: ±0.25  
30を越え100以下: ±0.3  
角度: ±3°

△ 仕上げ: ニッケル下地鍍めつき

△ GENERAL TOLERANCE  
10 ≤ L < 30: ±0.25  
30 ≤ L < 100: ±0.3  
ANGLES: ±3°

△ 仕上げ: NICKEL UNDER PL. ALL OVER

△ OBSOLETE PARTS: OBSOLETE FOR STREAMLINING PER D.REVISIONS SINISU



THIS DRAWING IS CONTROL DOCUMENT

CONTROL DOCUMENT NO. R2003

DATE: 17JAN90

APPROVED BY: J. TANAKA

DATE: 17SEP92

PRODUCT SPEC: 108-5246

APPLICATION SPEC: 取付適用規格

MATERIAL: 4

FINISH: 仕上

TE Connectivity

1.25 F-P CONNECTOR (B-TO-B)  
DOUBLE ROW POST HDR ASSY SMT TYPE  
WITH BOSS

SIZE: A3 CAGE CODE: 00779 DRAWING NO: G=176756

RESTRICTED TO: -

CUSTOMER DRAWING SCALE: 1:1 SHEET: 1 OF 1 REV: D2

## X-ON Electronics

Largest Supplier of Electrical and Electronic Components

*Click to view similar products for [Board to Board & Mezzanine Connectors](#) category:*

*Click to view products by [TE Connectivity](#) manufacturer:*

Other Similar products are found below :

[589158040000018](#) [MDF7C-18P-2.54DSA\(55\)](#) [FCN-230C068-11](#) [FCN-268F012-G/BD](#) [FCN-268F036-G/BD](#) [FCN-268M012-G/0D](#) [FCN-268M024-G/1D](#) [FCN-723J004/1](#) [MIS-048-01-F-D-DP-K](#) [832-10-034-10-001000](#) [FX4C-80S-1.27DSA](#) [FCN-214Q030-G/0](#) [FCN-234P048-G/0](#) [FCN-235D050-G/C](#) [210-93-314-41-105000](#) [2-22603-0](#) [MDF7-40DP-2.54DSA\(55\)](#) [AXG720047](#) [5031084030](#) [MIT-114-03-F-D-K](#) [55323-1519](#) [DF33-2P-3.3DSA\(24\)](#) [YFT-20-05-H-03-SB-K](#) [503308-3040](#) [026-6203-PDB](#) [027-6203-PDB](#) [069159702701000](#) [10123981-102LF](#) [101A10019X](#) [55650-0588-C](#) [68682-310LF](#) [68684-306](#) [75140-7012](#) [87471-650](#) [194261-1](#) [FCN-268F024-G0D](#) [10124054-515LF](#) [68685-603](#) [8-1616154-3](#) [MIS-019-01-F-D](#) [FCN-268M024-G/3D](#) [20021832-06016C1LF](#) [KX15-20KLDL-E1000E](#) [MDF7-16DP-2.54DSA\(55\)](#) [AXE810124](#) [FCN-214J100-G/0](#) [FCN-230C068-E/S](#) [AXE812124](#) [AXE816124](#) [AXE720127](#)