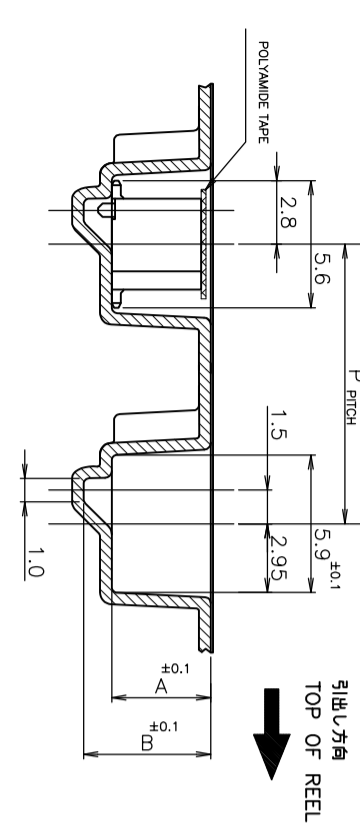
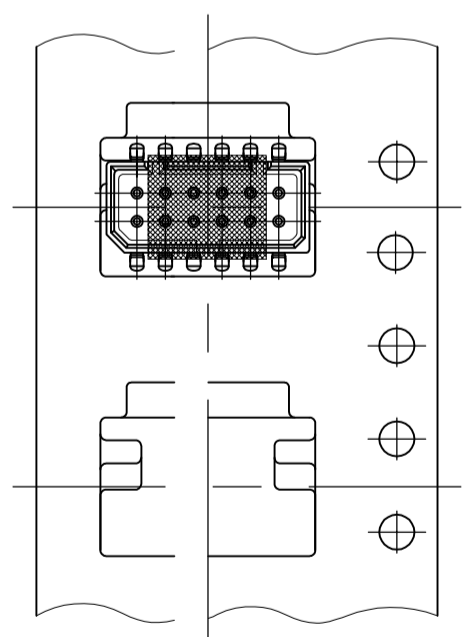
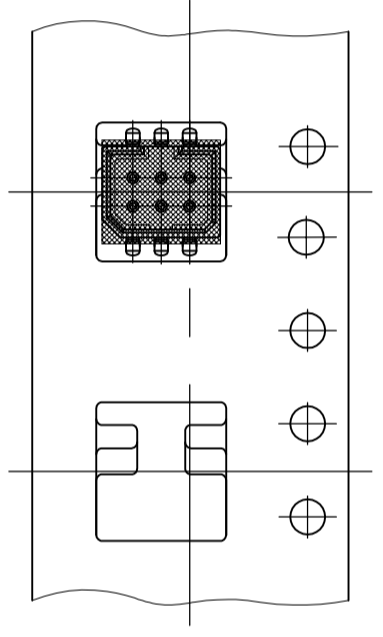
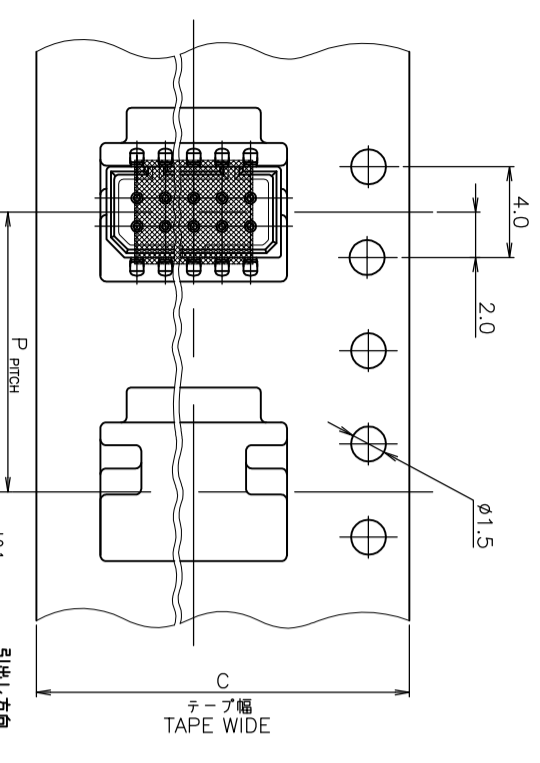
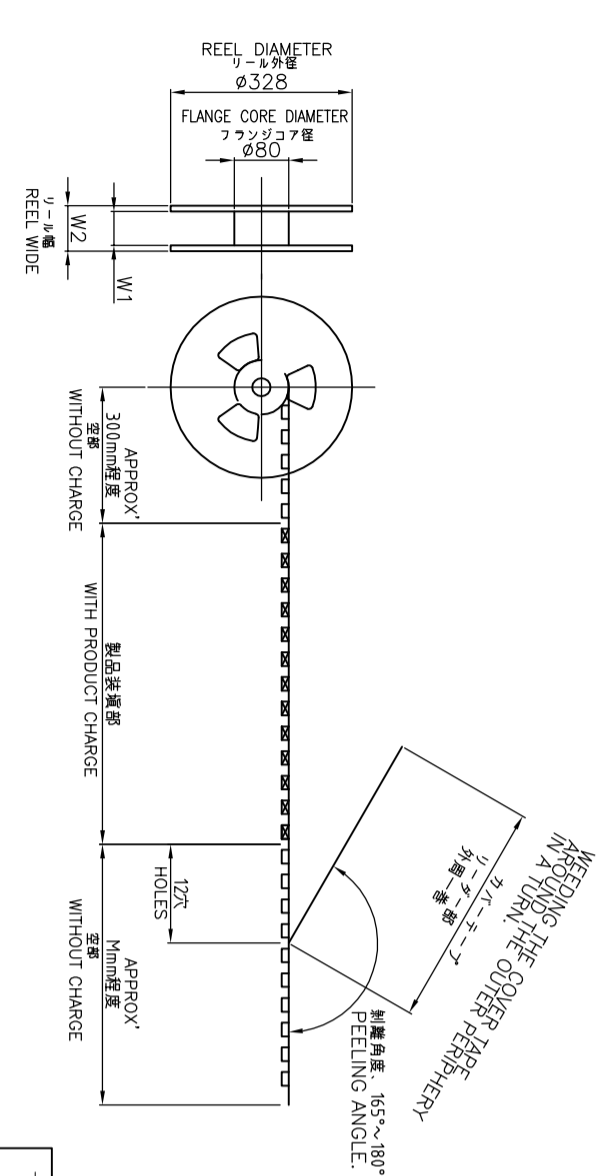


| P | LT# | DESCRIPTION | DATE | DMN | APVD |
|---|-----|-------------|------|-----|------|
| - | -   | SEE SHEET 1 | -    | -   | -    |



EXCEPT 6 Pos. AND 12 Pos.



| ④   | D2  | D1   | DIMENSIONS |     |    | M    | P    | B  | A  | C    | QTY/<br>REEL | Pos       | POLYAMIDE<br>P/N | COVER TAPE<br>P/N | EMBOSS TAPE<br>P/N | CONNECTOR<br>P/N | TAPING<br>P/N |
|-----|-----|------|------------|-----|----|------|------|----|----|------|--------------|-----------|------------------|-------------------|--------------------|------------------|---------------|
|     |     |      | W2         | W1  | ⑤  |      |      |    |    |      |              |           |                  |                   |                    |                  |               |
| 330 | 100 | 30.4 | 24.4       | 300 | 12 | 6.95 | 5.75 | 24 | 24 | 700  | 14           | 1827186-4 |                  | 1533651-1         | 1-174821-4         | 176890-4         |               |
| 330 | 80  | 29   | 26         | 300 | 12 | 7.45 | 6.25 | 24 | 24 | 750  | 16           | 1827186-4 | 4-720998-5       | 1-912054-8        | 7-174821-6         | 9-176890-6       |               |
| 330 | 100 | 22.4 | 16.4       | 300 | 12 | 7.45 | 6.25 | 24 | 24 | 700  | 12           | 1827186-3 | 4-720998-5       | 7-912061-6        | 7-174821-2         | 9-176890-2       |               |
| 330 | 80  | 29   | 26         | 300 | 12 | 5.45 | 4.25 | 24 | 24 | 1000 | 24           | 1827186-4 | 4-720998-5       | 3-912051-4        | 5-174821-4         | 8-176890-4       |               |
| 330 | 80  | 29   | 26         | 300 | 12 | 5.45 | 4.25 | 24 | 24 | 1000 | 22           | 1827186-4 | 4-720998-5       | 912055-3          | 5-174821-2         | 8-176890-2       |               |
| 330 | 80  | 29   | 26         | 300 | 12 | 5.45 | 4.25 | 24 | 24 | 1000 | 20           | 1827186-4 | 4-720998-5       | 3-912051-2        | 5-174821-0         | 8-176890-0       |               |
| 330 | 80  | 29   | 26         | 300 | 12 | 5.45 | 4.25 | 24 | 24 | 1000 | 18           | 1827186-4 | 4-720998-5       | 912051-8          | 4-174821-8         | 6-176890-8       |               |
| 330 | 80  | 29   | 26         | 300 | 12 | 5.45 | 4.25 | 24 | 24 | 1000 | 16           | 1827186-4 | 4-720998-5       | 912055-2          | 4-174821-6         | 6-176890-6       |               |
| 330 | 100 | 22.4 | 16.4       | 300 | 12 | 5.45 | 4.25 | 24 | 24 | 1000 | 14           | 1827186-4 | 4-720998-4       | 912051-4          | 4-174821-4         | 6-176890-4       |               |
| 330 | 80  | 21   | 18         | 300 | 12 | 5.45 | 4.25 | 16 | 16 | 1000 | 12           | 1827186-4 | 4-720998-4       | 912051-2          | 4-174821-2         | 6-176890-2       |               |
| 330 | 80  | 21   | 18         | 300 | 12 | 5.45 | 4.25 | 16 | 16 | 1000 | 10           | 1827186-4 | 4-720998-4       | 912051-1          | 4-174821-0         | 6-176890-0       |               |
| 330 | 80  | 21   | 18         | 300 | 12 | 5.45 | 4.25 | 16 | 16 | 1000 | 6            | 1827186-4 | 4-720998-4       | 912055-1          | 3-174821-6         | 2-176890-6       |               |
| 330 | 80  | 29   | 26         | 300 | 12 | 6.95 | 5.75 | 24 | 24 | 750  | 16           | 1827186-4 | 4-720998-5       | 912055-4          | 1-174821-6         | 176890-6         |               |

THIS DRAWING IS A CONTROLLED DOCUMENT.

DMN S.KANEKI 22JUN90  
 CHK J.TANIGAWA 22JUN90  
 APVD S.KUBOBUCHI 22JUN90

NAME **STE** TE Connectivity  
 1.25 FP CONNECTOR (B-TO-B) ON TAPING (EMBOSS)  
 DOUBLE ROW POST HDR ASS'Y SMT TYPE

DIMENSIONS: mm  
 TOLERANCES UNLESS OTHERWISE SPECIFIED:

PRODUCT SPEC  
 APPLICATION SPEC

SIZE A3  
 CAGE CODE 00779  
 DRAWING NO. 176890

|       |   |
|-------|---|
| 0 PLC | ± |
| 1 PLC | ± |
| 2 PLC | ± |
| 3 PLC | ± |
| 4 PLC | ± |

WEIGHT

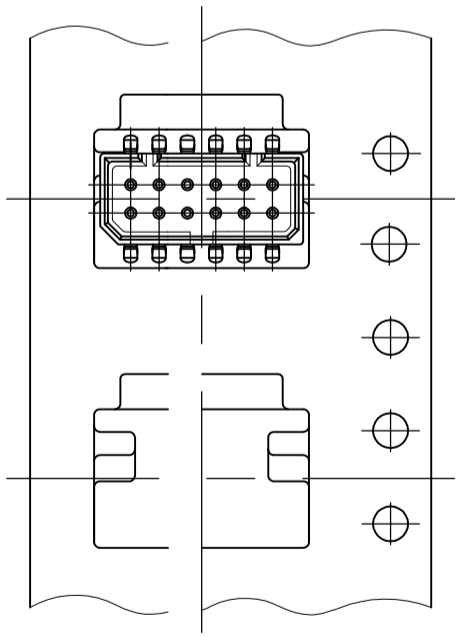
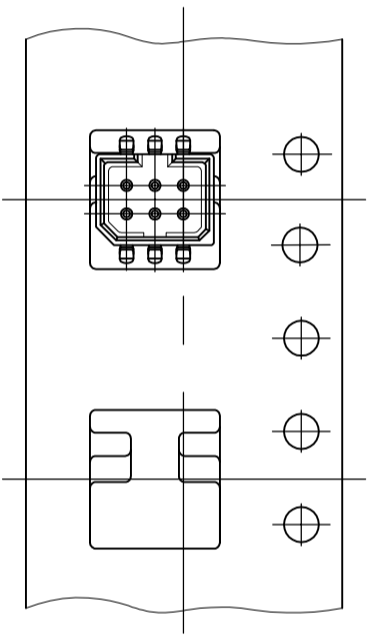
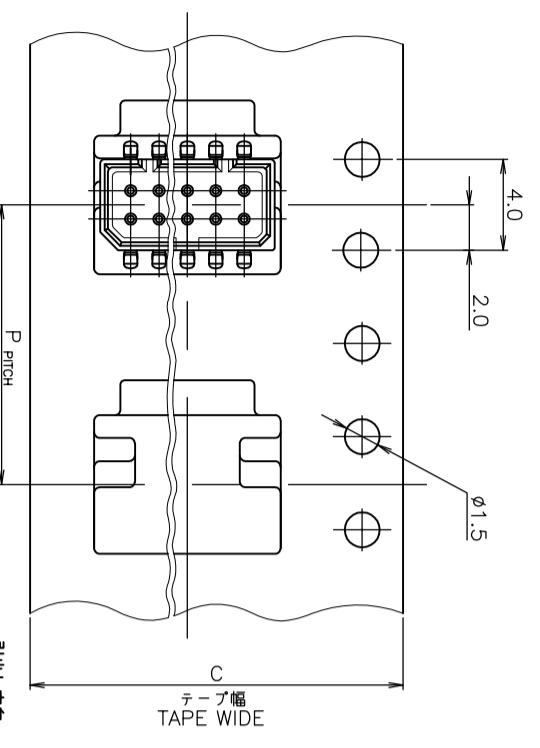
RESTRICTED TO

MATERIAL FINISH

CUSTOMER DRAWING

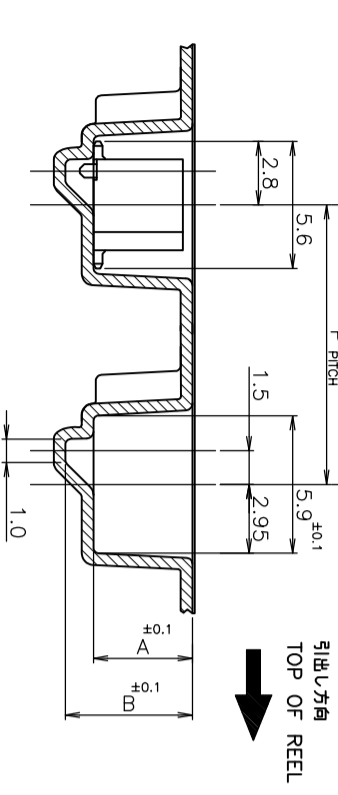
SCALE SHEET 2 of 2 REV H

| P | LT/R | DESCRIPTION   | DATE      | DMN | APVD |
|---|------|---------------|-----------|-----|------|
| H |      | EGR-17-011273 | 24AUG2017 | RL  | SY   |

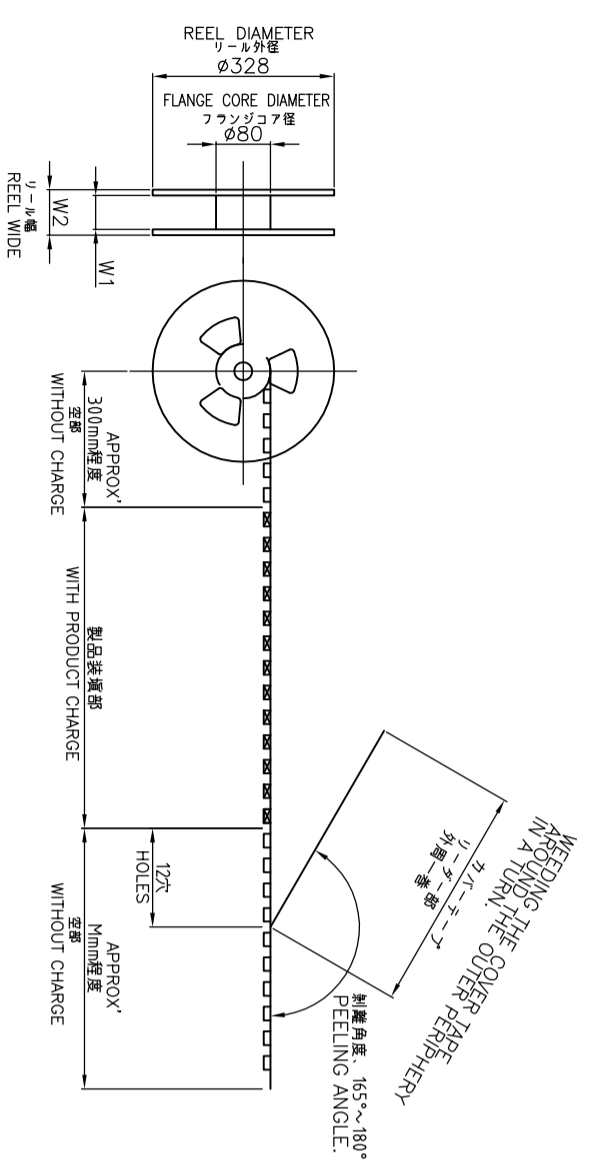


6 Pos. (P/N: 3-176890-6)

12 Pos. (P/N: 7-176890-2)



EXCEPT 6 Pos. AND 12 Pos.



| D 2 | D 1 | W 2  | W 1  | M   | ② P | B    | A    | C  | QTY/<br>REEL | COVER TAPE<br>P/N | EMBOSS TAPE<br>P/N | CONNECTOR<br>P/N | TAPING<br>P/N |
|-----|-----|------|------|-----|-----|------|------|----|--------------|-------------------|--------------------|------------------|---------------|
| 330 | 80  | 29   | 26   | 300 | 12  | 7.45 | 6.25 | 24 | 750          | 4-720998-5        | 1-912054-8         | 7-174821-6       | 7-176890-6    |
| 330 | 100 | 22.4 | 16.4 | 300 | 12  | 7.45 | 6.25 | 24 | 750          | 4-720998-5        | 7-912061-6         | 7-174821-2       | 7-176890-2    |
| 330 | 80  | 29   | 26   | 300 | 12  | 5.45 | 4.25 | 24 | 1000         | 4-720998-5        | 3-912051-4         | 5-174821-4       | 5-176890-4    |
| 330 | 80  | 29   | 26   | 300 | 12  | 5.45 | 4.25 | 24 | 1000         | 4-720998-5        | 912055-3           | 5-174821-2       | 5-176890-2    |
| 330 | 80  | 29   | 26   | 300 | 12  | 5.45 | 4.25 | 24 | 1000         | 4-720998-5        | 3-912051-2         | 5-174821-0       | 5-176890-0    |
| 330 | 80  | 29   | 26   | 300 | 12  | 5.45 | 4.25 | 24 | 1000         | 4-720998-5        | 912051-8           | 4-174821-8       | 4-176890-8    |
| 330 | 80  | 29   | 26   | 300 | 12  | 5.45 | 4.25 | 24 | 1000         | 4-720998-5        | 912055-2           | 4-174821-6       | 4-176890-6    |
| 330 | 100 | 22.4 | 16.4 | 300 | 12  | 5.45 | 4.25 | 16 | 1000         | 4-720998-4        | 912051-4           | 4-174821-4       | 4-176890-4    |
| 330 | 80  | 21   | 18   | 300 | 12  | 5.45 | 4.25 | 16 | 1000         | 4-720998-4        | 912051-2           | 4-174821-2       | 4-176890-2    |
| 330 | 80  | 21   | 18   | 300 | 12  | 5.45 | 4.25 | 16 | 1000         | 4-720998-4        | 912051-1           | 4-174821-0       | 4-176890-0    |
| 330 | 80  | 21   | 18   | 300 | 12  | 5.45 | 4.25 | 16 | 1000         | 4-720998-4        | 912055-1           | 3-174821-6       | 3-176890-6    |
| 330 | 80  | 29   | 26   | 300 | 12  | 6.95 | 5.75 | 24 | 750          | 4-720998-5        | 912055-4           | 1-174821-6       | 1-176890-6    |

注記  
 1. 包装規格 : 107-5123-5  
 NOTE  
 1. PACKAGING SEPC: 107-5123-5

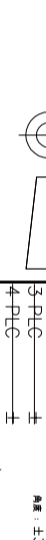
THIS DRAWING IS A CONTROLLED DOCUMENT.

DIMENSIONS: mm

TOLERANCES UNLESS OTHERWISE SPECIFIED:

1-PLG ±0.2  
 2-PLG ±0.25  
 3-PLG ±0.3  
 4-PLG ±0.3

FINISH ANGLES



MATERIAL

DMN S.KANEKI 22JUN90  
 CHK J.TANIGAWA 22JUN90  
 APVD S.KUBOBUCHI 22JUN90

PRODUCT SPEC

APPLICATION SPEC

WEIGHT

CUSTOMER DRAWING

DMN S.KANEKI 22JUN90  
 CHK J.TANIGAWA 22JUN90  
 APVD S.KUBOBUCHI 22JUN90

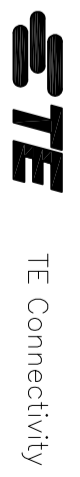
NAME

1.25 FP CONNECTOR (B-TO-B) ON TAPING (EMBOSS)  
 DOUBLE ROW POST HDR ASS'Y SMT TYPE

SIZE

A3 00779 G=176890

SCALE SHEET 1 of 2 REV H



## X-ON Electronics

Largest Supplier of Electrical and Electronic Components

*Click to view similar products for [Board to Board & Mezzanine Connectors](#) category:*

*Click to view products by [TE Connectivity](#) manufacturer:*

Other Similar products are found below :

[10135583-642402LF](#) [89885-310LF](#) [589158040000018](#) [6-1393048-0](#) [68683-613](#) [MDF7-12DP-2.54DSA](#) [MDF7-18P-2.54DSA\(01\)](#) [MDF7-20DP-2.54DSA](#) [MDF7-26D-2.54DSA\(55\)](#) [MDF7-3P-2.54DSA\(01\)](#) [MDF7B-3P-2.54DSA\(55\)](#) [MDF7C-11P-2.54DSA\(55\)](#) [MDF7C-18P-2.54DSA\(55\)](#) [MDF7C-5P-2.54DSA\(01\)](#) [MDF7P-5P-2.54DSA\(55\)](#) [75234-0516](#) [FCN-230C068-11](#) [FCN-268F012-G/BD](#) [FCN-268F036-G/BD](#) [FCN-268M012-G/0D](#) [FCN-268M024-G/1D](#) [FCN-360C008-C](#) [FCN-360C040-C](#) [FCN-723J004/1](#) [MIS-048-01-F-D-DP-K](#) [832-10-034-10-001000](#) [93696-325LF](#) [11828-1FA](#) [AXK630345P](#) [18097-0013](#) [ICA-328STT](#) [2007042-2](#) [304400-2](#) [FCN-214Q030-G/0](#) [FCN-215Q040-G/0](#) [FCN-230C068-ESA](#) [FCN-234P048-G/0](#) [FCN-235D050-G/C](#) [FCN-360A3](#) [FCN-360C040-B](#) [210-93-314-41-105000](#) [2-22603-0](#) [379-064-521-202](#) [MDF7-12P-2.54DSA\(01\)](#) [MDF7-16P-2.54DS\(56\)](#) [MDF7-40DP-2.54DSA\(55\)](#) [MDF7-8P-2.54DSA\(55\)](#) [MDF7B-16P-2.54DSA\(55\)](#) [AXG720047](#) [5031084030](#)