

THIS DRAWING IS UNPUBLISHED.

RELEASED FOR PUBLICATION

ALL RIGHTS RESERVED.

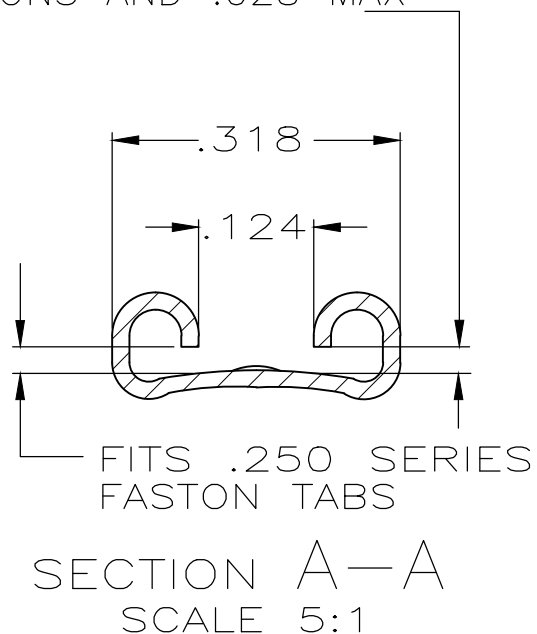
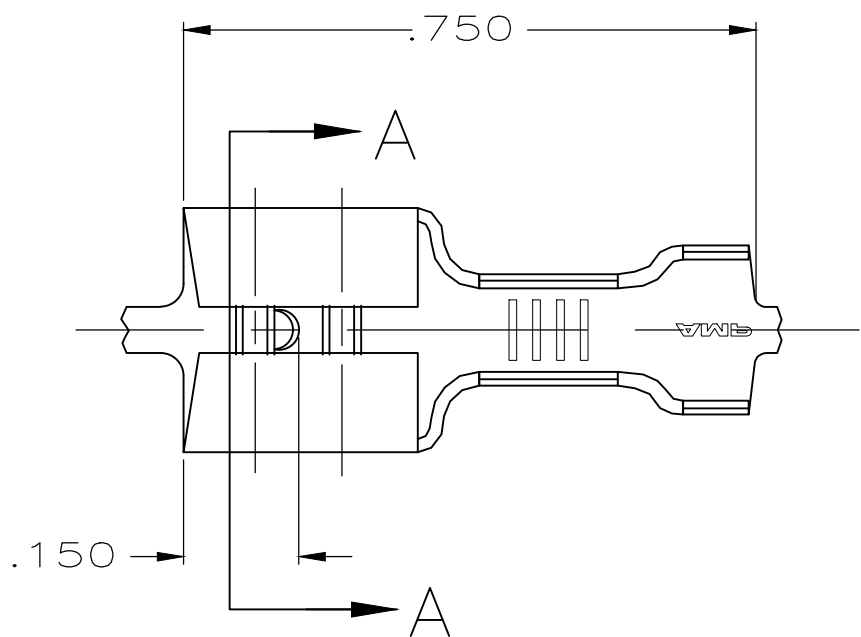
© COPYRIGHT - By -

LOC AF DIST 50

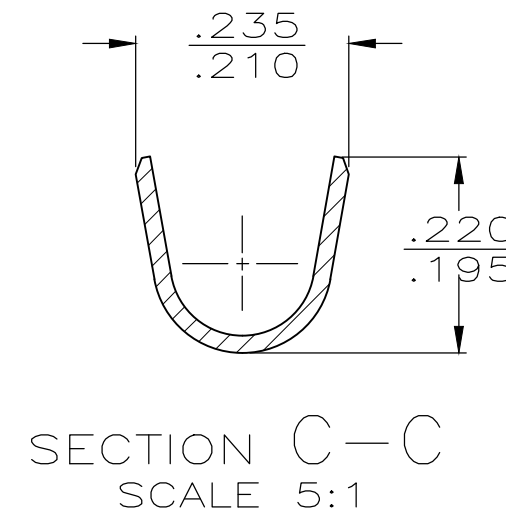
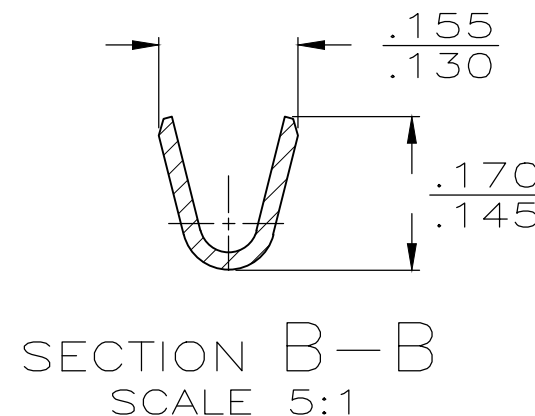
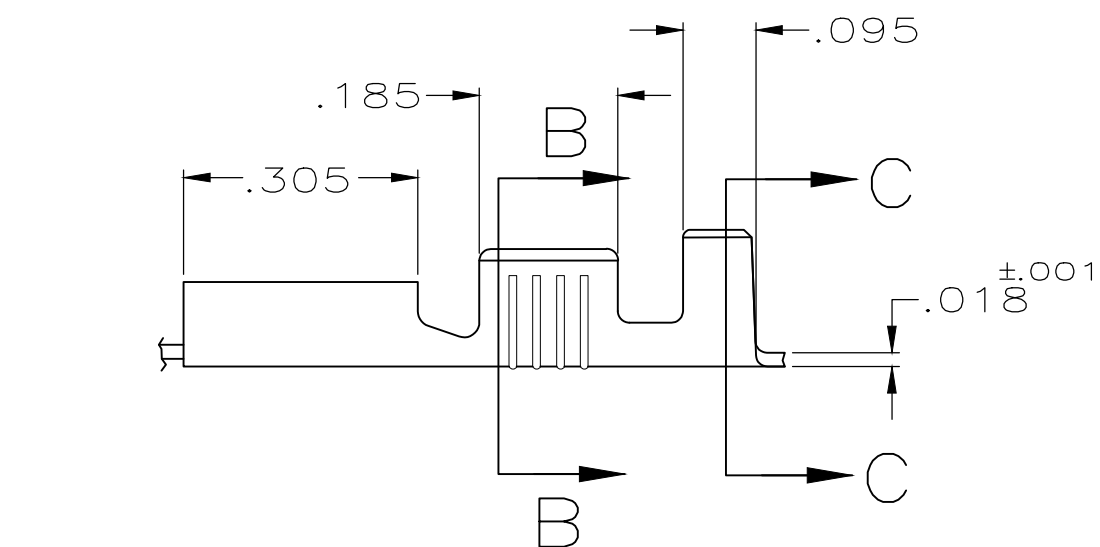
REVISIONS

P	LTR	DESCRIPTION	DATE	DWN	APVD
N1		REVISED PER ECR-20-009164	27JUL2020	MK	DH

GAP AS REQUIRED TO MEET FORCE SPECIFICATIONS AND .028 MAX



- 1 CONTINUOUS STRIP ON REELS.
- 2 MAX FIRST ENGAGEMENT FORCE, 20 LBS, USING GAGE 100505.
- 3 FEED TO BE $.840 \pm .005$.
- 4 WIRE SIZE IS #18-#14 AWG.
- 5 MATING TAB THK IS $.033-.030$.
- 6 INSULATION RANGE IS $.120-.170$ DIA
- 7 SPECIAL PACKAGING QUANTITY
- 8 PRELIMINARY - NOT FOR PRODUCTION



41774-1
41774

THIS DRAWING IS A CONTROLLED DOCUMENT.		DWN JR RUTH 6/13/91	TE Connectivity						
DIMENSIONS: INCHES 		CHK MS FEHER 6/13/91				NAME RECEPTACLE, FASTON™ .250 SERIES			
TOLERANCES UNLESS OTHERWISE SPECIFIED: 0 PLC ± - 1 PLC ± - 2 PLC ± - 3 PLC ± .015 4 PLC ± - ANGLES ± -		APVD C MEYERS 6/13/91	PRODUCT SPEC	SIZE	CAGE CODE				DRAWING NO
MATERIAL T3 PHOS BRZ.		FINISH TIN	APPLICATION SPEC	—	A3	00779	C-41774	—	
			WEIGHT	—	CUSTOMER DRAWING		SCALE 4:1	SHEET 1 OF 1	REV N1

X-ON Electronics

Largest Supplier of Electrical and Electronic Components

Click to view similar products for [Terminals](#) category:

Click to view products by [TE Connectivity](#) manufacturer:

Other Similar products are found below :

[00-054007-01074-6](#) [00-054007-70206-1](#) [00-054007-70210-8](#) [00-054007-70217-7](#) [00-054007-70226-9](#) [00-054007-70228-3](#) [00-054007-70248-1](#) [00-054007-70256-6](#) [00-054007-70301-3](#) [00-054007-70316-7](#) [0-0320562-0](#) [00-054007-49560-4](#) [00-054007-70209-2](#) [00-054007-70225-2](#) [00-054007-70227-6](#) [00-054007-70231-3](#) [00-054007-70241-2](#) [00-054007-70242-9](#) [00-054007-70244-3](#) [00-054007-70246-7](#) [00-054007-70263-4](#) [00-054007-70288-7](#) [00-054007-70290-0](#) [00-054007-70300-6](#) [00-054007-70304-4](#) [01-2065-1-0216](#) [01-2900-1-04412](#) [00581P0075](#) [600TS-10](#) [60205-1](#) [604200-1](#) [605601-1](#) [60598-1-CUT-TAPE](#) [61314-6-C](#) [61810-3](#) [61-S](#) [61-SN](#) [626-0194](#) [62-NBM-A](#) [62-SN](#) [62-SP](#) [63-S](#) [640179-1](#) [M55155/059I03](#) [M55155/079C01](#) [M55155/099H02](#) [M55155/109H01](#) [M55155/109H02](#) [M55155/12XH05](#) [M55155/16XH02](#)