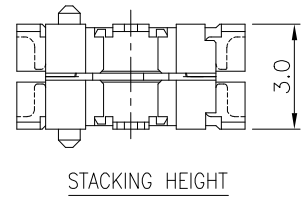
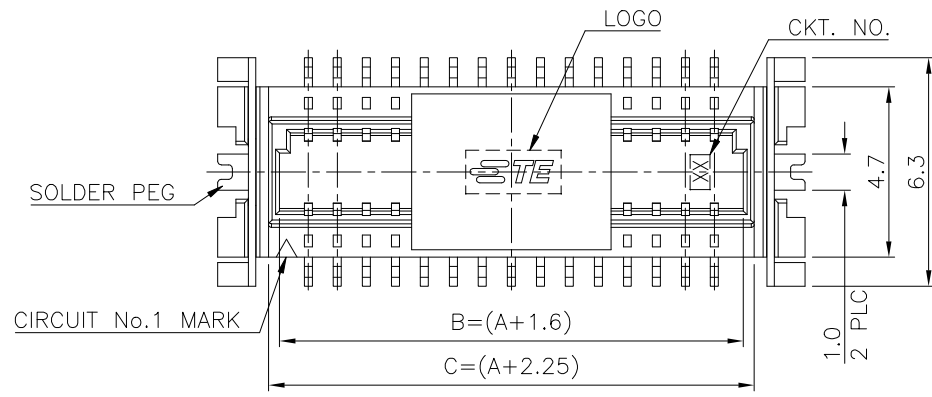
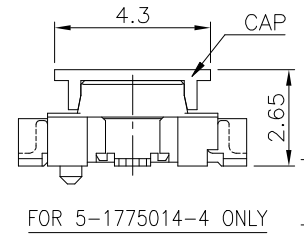
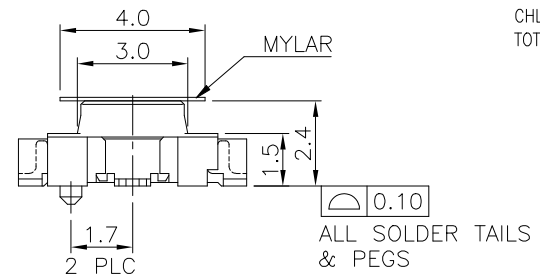
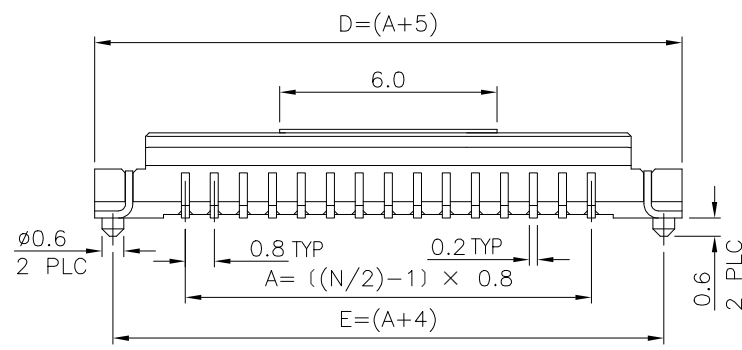


REVISIONS					
P	LTR	DESCRIPTION	DATE	DWN	APVD
G1		ECR-19-013959	06SEP2019	A.L	H.L

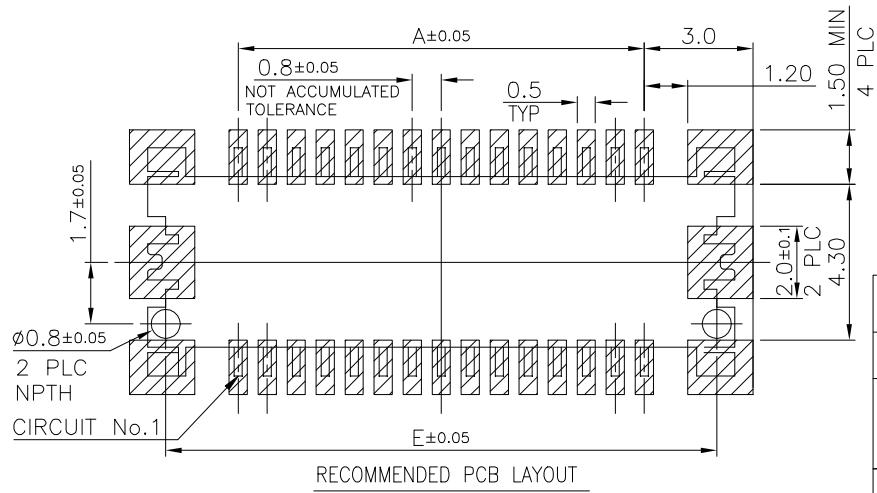


- NOTES:
- MATERIAL:
    - 1.1 HOUSING: PA6T, UL94V-0; COLOR: NATURAL.
    - 1.2 CONTACTS: PHOSPHOR BRONZE.
    - 1.3 PEGS: BRASS.
  - FINISH:
    - CONTACTS: (SEE TABLE)
    - PLATING B : GOLD FLASH ON ENTIRE CONTACT.
    - PLATING C : 100μ" MIN. MATTE-TIN ON ENTIRE CONTACT. (WITH ENTIRE CONTACT UNDERPLATED 50μ" MIN. NICKEL.)
    - PEGS: 100μ" MIN. TIN OR MATTE-TIN OVER 50μ" MIN. NICKEL.
  - PART NUMBER OF MATING RECEPTACLE: X-1775013-X
  - REFLOW SOLDER CAPABLE TO 260°C AS PER TEC-109-201, CONDITION B.
  - SUBSTANCE RESTRICTIONS FOR LOW HALOGEN (BY WEIGHT):
    - BROMINE (Br) ≤ 900 PPM (0.09%)
    - CHLORINE (Cl) ≤ 900 PPM (0.09%)
    - TOTAL CONCENTRATION OF (Cl) + (Br) ≤ 1500 PPM (0.15%)



(1775014-1 & 5-1775014-4 ARE OBSOLETED)

CAP OR MYLAR	CONTACT PLATING	DIMENSIONS					NO. OF CONTACTS	PART NUMBER
		E	D	C	B	A		
CAP	C	8	9	6.25	5.6	4.0	12	5-1775014-4
MYLAR	B	12.8	13.8	11.05	10.4	8.8	24	1775014-2
		8	9	6.25	5.6	4.0	12	1775014-1



THIS DRAWING IS A CONTROLLED DOCUMENT.

DIMENSIONS: mm	TOLERANCES UNLESS OTHERWISE SPECIFIED:	DWN A. WU 05FEB2013	TE Connectivity BOARD-TO-BOARD CONNECTOR, 0.8mm PITCH, FINE-STACK 3H. PLUG
	0 PLC ± -	CHK S. CHIEN 05FEB2013	
	1 PLC ± 0.3	APVD W. KODAMA 05FEB2013	
	2 PLC ± 0.2	NAME	
MATERIAL -	FINISH -	PRODUCT SPEC 108-57488	SIZE A3
		APPLICATION SPEC -	CAGE CODE 00779
		WEIGHT 0	DRAWING NO. C=1775014
		CUSTOMER DRAWING	RESTRICTED TO -
			SCALE 7:1
			SHEET 1 OF 2
			REV G1

4 3 2 1

THIS DRAWING IS UNPUBLISHED. RELEASED FOR PUBLICATION  
 © COPYRIGHT - By - ALL RIGHTS RESERVED.

REVISIONS					
P	LTR	DESCRIPTION	DATE	DWN	APVD
-	-	SEE SHEET 1	-	-	-

NOTES:

- MATERIAL:  
 BOX: FIBREBOARD, CORRUGATED, DOUBLE WALL.  
 COVER TAPE: PET, TRANSPARENT COLOR.  
 CARRIER TAPE: POLYSTYRENES, BLACK COLOR.  
 REEL: PAPER, BROWN COLOR.  
 BAG: POLYETHYLENES, TRANSPARENT COLOR.
- EACH BAG SHALL BE INCLUDED DESICCANT.
- PEELING STRENGTH: 0.1~1.3 N (10~130 GRAMS).
- PEELING SPEED: 300 mm/min.

1500	24.40	24.00	14.15	11.50	24
1500	24.40	24.00	9.35	11.50	12
PCS / TAPE	W1	W	G	F	NO. OF CONTACTS
DIMENSIONS					

THIS DRAWING IS A CONTROLLED DOCUMENT.		DWN A. WU 05FEB2013	TE Connectivity		
DIMENSIONS: mm		CHK S. CHIEN 05FEB2013			
TOLERANCES UNLESS OTHERWISE SPECIFIED:		APVD W. KODAMA 05FEB2013	NAME BOARD-TO-BOARD CONNECTOR, 0.8mm PITCH, FINE-STACK 3H. PLUG		
		PRODUCT SPEC 108-57488	SIZE A3		
MATERIAL		APPLICATION SPEC	CAGE CODE 00779	DRAWING NO G=1775014	RESTRICTED TO
FINISH		WEIGHT 0	SCALE 7:1		SHEET 2 OF 2
CUSTOMER DRAWING			REV G1		

1470-19 (1/15)

## X-ON Electronics

Largest Supplier of Electrical and Electronic Components

*Click to view similar products for [Board to Board & Mezzanine Connectors](#) category:*

*Click to view products by [TE Connectivity](#) manufacturer:*

Other Similar products are found below :

[589158040000018](#) [MDF7C-18P-2.54DSA\(55\)](#) [FCN-230C068-11](#) [FCN-268F012-G/BD](#) [FCN-268F036-G/BD](#) [FCN-268M012-G/0D](#) [FCN-268M024-G/1D](#) [FCN-723J004/1](#) [MIS-048-01-F-D-DP-K](#) [832-10-034-10-001000](#) [FX4C-80S-1.27DSA](#) [FCN-214Q030-G/0](#) [FCN-234P048-G/0](#) [FCN-235D050-G/C](#) [210-93-314-41-105000](#) [2-22603-0](#) [MDF7-40DP-2.54DSA\(55\)](#) [AXG720047](#) [5031084030](#) [MIT-114-03-F-D-K](#) [55323-1519](#) [DF33-2P-3.3DSA\(24\)](#) [YFT-20-05-H-03-SB-K](#) [503308-3040](#) [026-6203-PDB](#) [027-6203-PDB](#) [069159702701000](#) [10123981-102LF](#) [101A10019X](#) [55650-0588-C](#) [68682-310LF](#) [68684-306](#) [75140-7012](#) [87471-650](#) [194261-1](#) [FCN-268F024-G0D](#) [10124054-515LF](#) [68685-603](#) [8-1616154-3](#) [MIS-019-01-F-D](#) [FCN-268M024-G/3D](#) [20021832-06016C1LF](#) [KX15-20KLDL-E1000E](#) [MDF7-16DP-2.54DSA\(55\)](#) [AXE810124](#) [FCN-214J100-G/0](#) [FCN-230C068-E/S](#) [AXE812124](#) [AXE816124](#) [AXE720127](#)