

THIS DRAWING IS UNPUBLISHED.

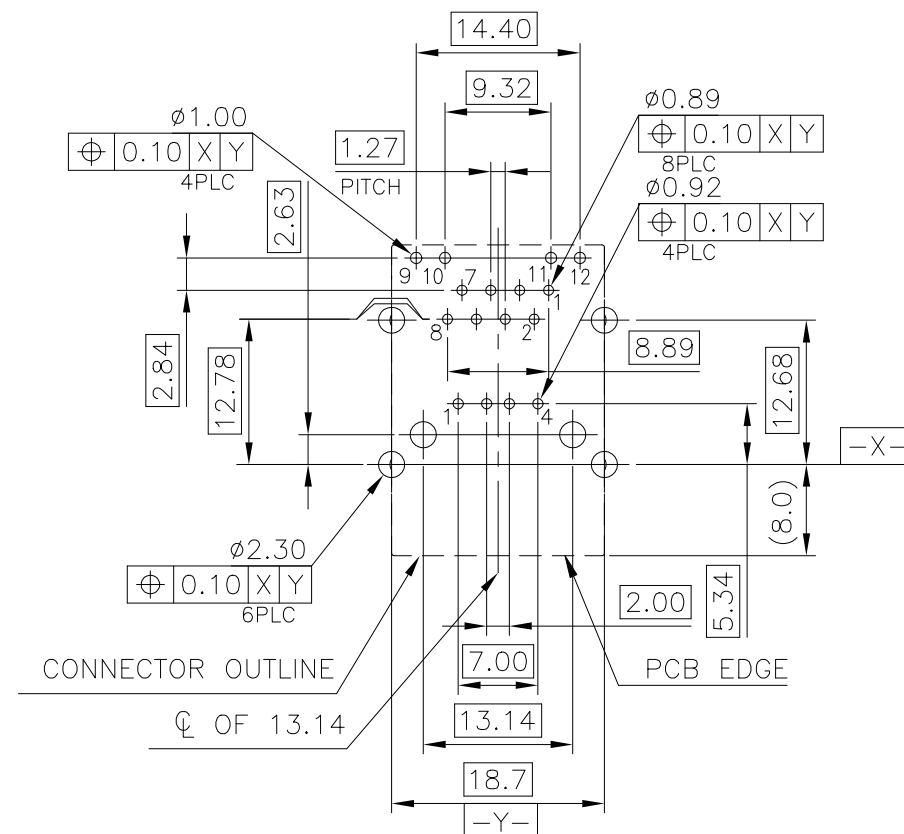
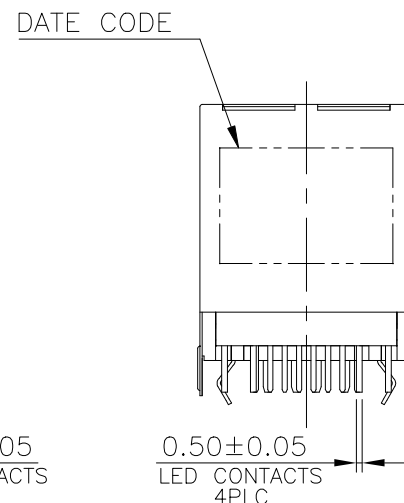
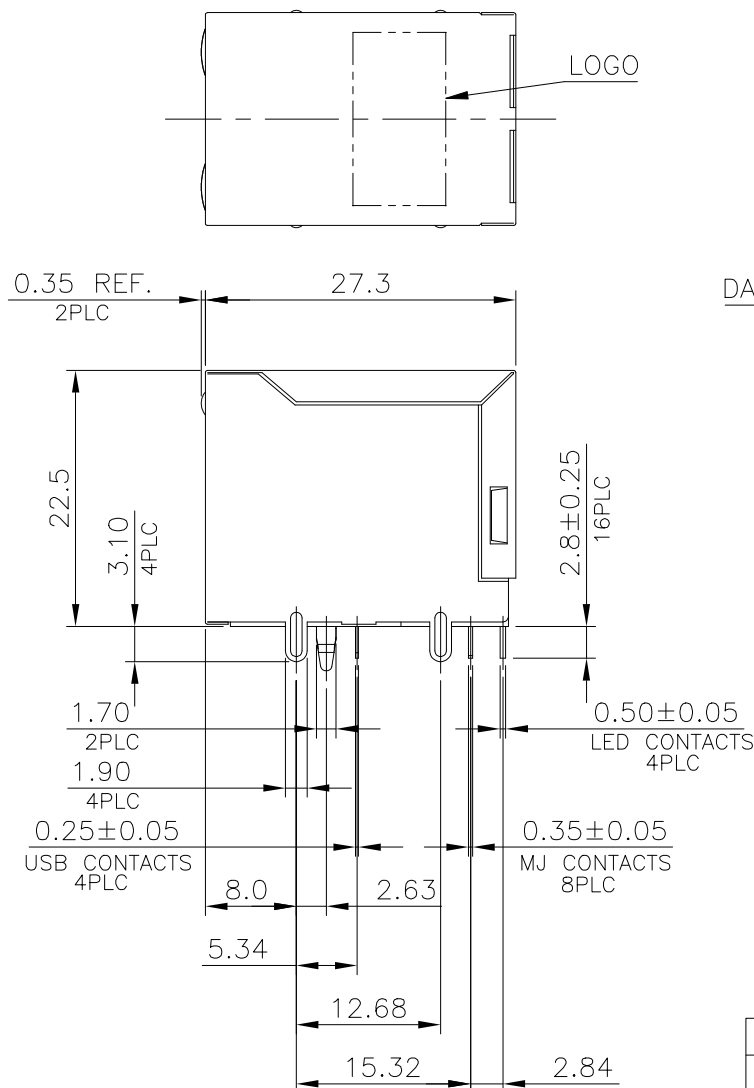
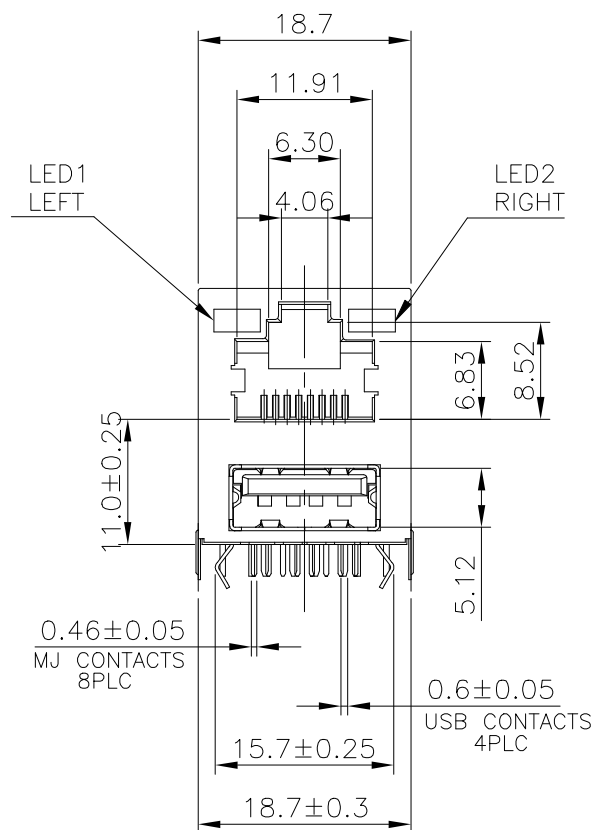
RELEASED FOR PUBLICATION

© COPYRIGHT - TE Connectivity Ltd.

ALL RIGHTS RESERVED.

REVISIONS

P	LTR	DESCRIPTION	DATE	DWN	APVD
-	-	SEE SHEET 1	-	-	-



RECOMMENDED PCB LAYOUT
 RECOMMENDED PCB THICKNESS: 1.6mm
 TOLERANCE: ±0.05 (TOP VIEW)

NOTE:

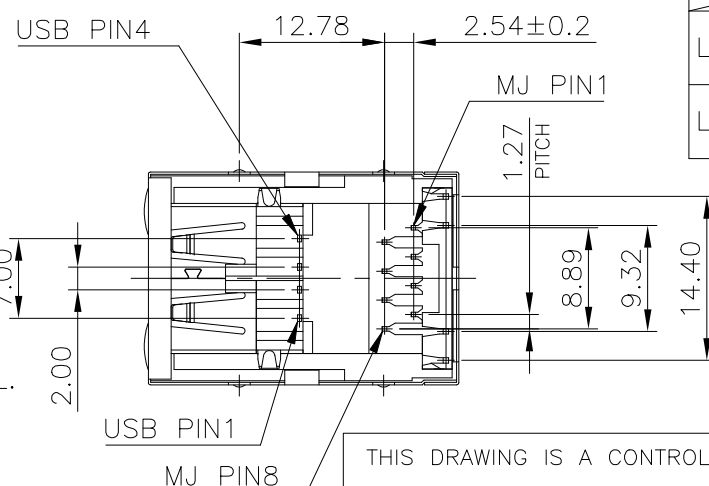
1. MATERIAL:

- 1.1 MJ HOUSING & LED COVER: PBT, WITH 30% GF, UL94V-0, BLACK COLOR.
- 1.2 MJ CONTACTS: PHOSPHOR BRONZE.
- 1.3 MJ SHIELD: BRASS.
- 1.4 LED SOLDER TAIL: EPOXY, STEEL.
- 1.5 USB HOUSING: PBT, UL94V-0, BLACK COLOR.
- 1.6 USB CONTACTS: BRASS.
- 1.7 USB SHIELD: SPCC.

2. FINISH:

- 2.1 MJ CONTACTS:
GOLD FLASH PLATED ON CONTACT AREA,
GOLD FLASH ON SOLDER TAILS,
1.27um [50u"] MIN. NICKEL UNDERPLATED OVERALL.
- 2.2 MJ SHIELD: 0.508um [20u"] MIN. NICKEL PLATED.
- 2.3 LED SOLDER TAIL:
1.02um [40u"] COPPER UNDERPLATED OVERALL.
1.27um [50u"] NICKEL OVERALL.
1.27um [50u"] SILVER ON BONDING AREA.
2.54um [100u"] BRIGHT-TIN ON SOLDER AREA.
- 2.4 USB CONTACT: GOLD FLASH PLATED ON CONTACT AREA,
2.54um [100u"] MIN. BRIGHT-TIN PLATED ON SOLDER TAILS,
1.27um [50u"] MIN. NICKEL UNDERPLATED OVERALL.
- 2.5 USB SHIELD: 2.032um [80u"] MIN. NICKEL PLATED.

- 3. WAVE SOLDER CAPABLE TO 265°C PER TE CONNECTIVITY SPEC.
109-202, CONDITION B.



FOR 4-1775855-1			
LED ELECTRICAL CHARACTERISTIC			
	NODE	COLOR	
LED LEFT	9(+)	10(-)	ORANGE 9-↗-10
	9(-)	10(+)	GREEN 9-↖-10
LED RIGHT	11(+)	12(-)	ORANGE 11-↗-12
	11(-)	12(+)	GREEN 11-↖-12

FOR 4-1775855-2			
LED ELECTRICAL CHARACTERISTIC			
	NODE	COLOR	
LED LEFT	9(+)	10(-)	GREEN 9-↗-10
	9(-)	10(+)	ORANGE 9-↖-10
LED RIGHT	11(+)	12(-)	GREEN 11-↗-12
	11(-)	12(+)	ORANGE 11-↖-12

13.11	GREEN/ORANGE	GREEN	4-1775855-2
	ORANGE/GREEN	ORANGE/GREEN	4-1775855-1
WEIGHT (gram)	LEFT	RIGHT	PART NUMBER
	LED COLORS		

THIS DRAWING IS A CONTROLLED DOCUMENT.		DWN	12JUN2009		TE Connectivity Ltd. NAME MODULAR JACK, RJ45, STACKED OVER, USB CONN., DIP TYPE				
DIMENSIONS: mm		CHK	12JUN2009						
TOLERANCES UNLESS OTHERWISE SPECIFIED:		APVD	12JUN2009						
0 PLC ± - 1 PLC ± 0.3 2 PLC ± 0.2 3 PLC ± 0.15 4 PLC ± - ANGLES ± 3°		PRODUCT SPEC	108-57802						
MATERIAL		APPLICATION SPEC	-		SIZE	CAGE CODE	DRAWING NO	RESTRICTED TO	
SEE TABEL		WEIGHT	-		A3	00779	1775855	-	
CUSTOMER DRAWING				SCALE	1:1	SHEET	2 of 5	REV	E

THIS DRAWING IS UNPUBLISHED.

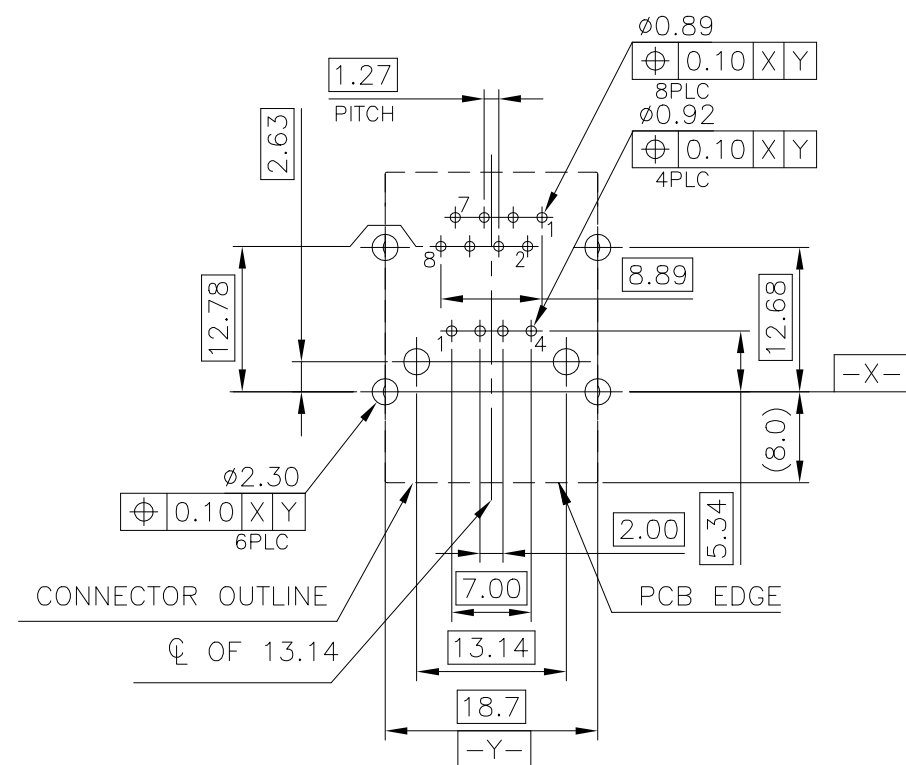
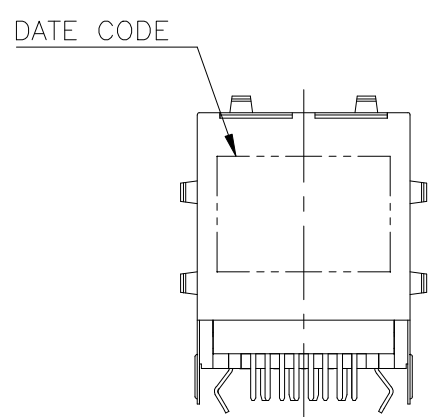
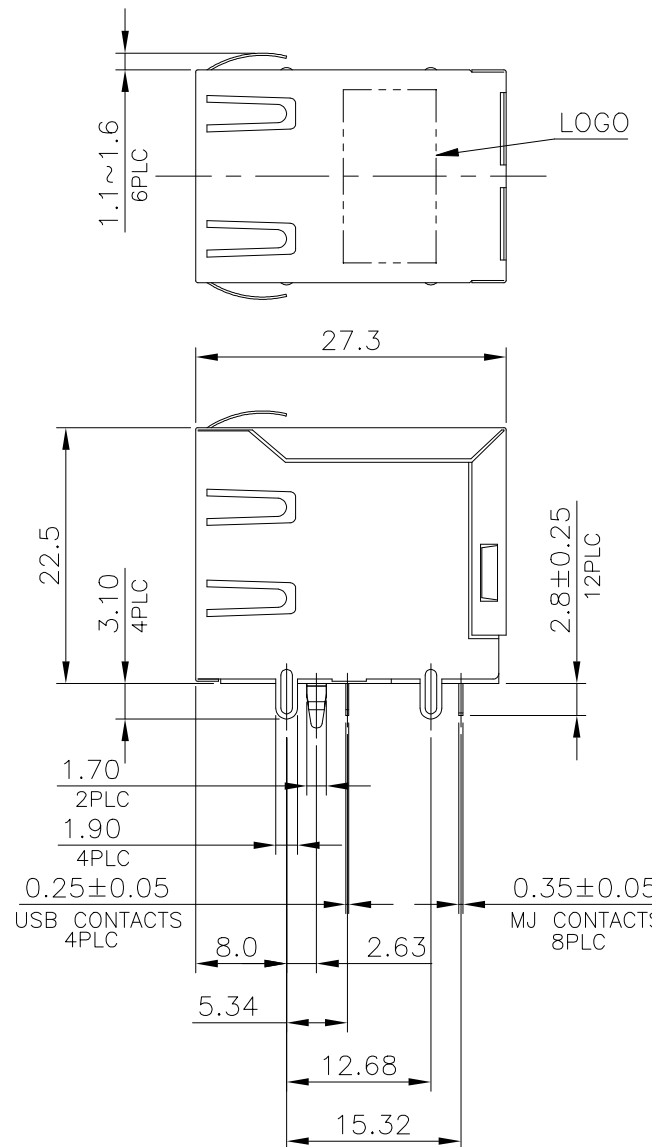
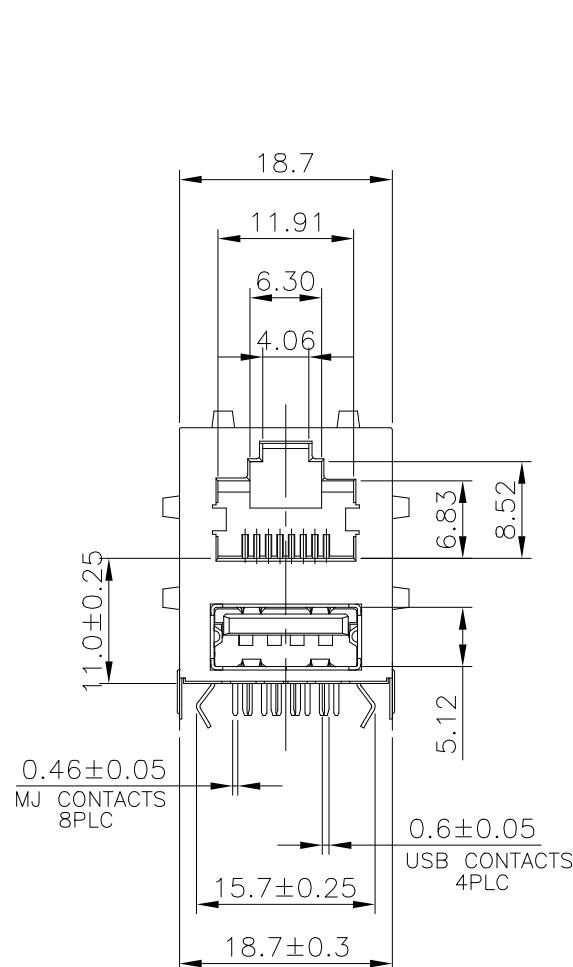
RELEASED FOR PUBLICATION

© COPYRIGHT - TE Connectivity Ltd.

ALL RIGHTS RESERVED.

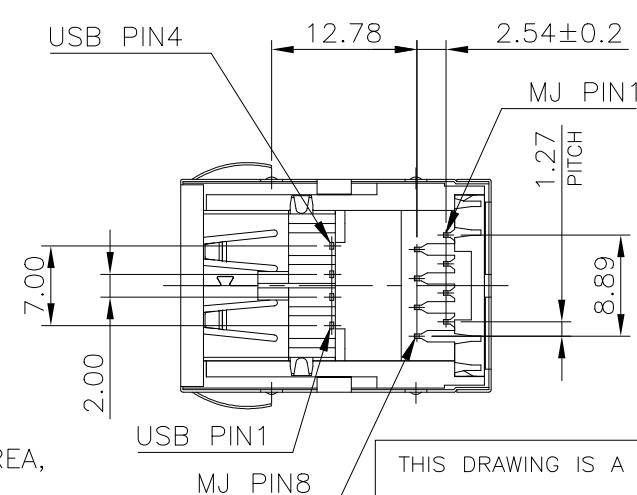
REVISIONS

P	LTR	DESCRIPTION	DATE	DWN	APVD
-	-	SEE SHEET 1	-	-	-



RECOMMENDED PCB LAYOUT
 RECOMMENDED PCB THICKNESS: 1.6mm
 TOLERANCE: ±0.05 (TOP VIEW)

- NOTE:
- MATERIAL:
 - MJ HOUSING: PBT, WITH 30% GF, UL94V-0, COLOR: SEE TABLE.
 - MJ CONTACTS: PHOSPHOR BRONZE.
 - MJ SHIELD: BRASS.
 - USB HOUSING: PBT, UL94V-0, COLOR: SEE TABLE.
 - USB CONTACTS: BRASS.
 - USB SHIELD: SPCC.
 - FINISH:
 - MJ CONTACTS: GOLD FLASH PLATED ON CONTACT AREA, GOLD FLASH ON SOLDER TAILS, 1.27um [50u"] MIN. NICKEL UNDERPLATED OVERALL.
 - MJ SHIELD: 0.508um [20u"] MIN. NICKEL PLATED.
 - USB CONTACT: GOLD FLASH PLATED ON CONTACT AREA, 2.54um [100u"] MIN. BRIGHT-TIN PLATED ON SOLDER TAILS, 1.27um [50u"] MIN. NICKEL UNDERPLATED OVERALL.
 - USB SHIELD: 2.032um [80u"] MIN. NICKEL PLATED.
 - WAVE SOLDER CAPABLE TO 265°C PER TE CONNECTIVITY SPEC. 109-202, CONDITION B.



12.69	5-1775855-1
WEIGHT (gram)	PART NUMBER

THIS DRAWING IS A CONTROLLED DOCUMENT.		DWN	12JUN2009	TE Connectivity Ltd.	NAME MODULAR JACK, RJ45, STACKED OVER, USB CONN., DIP TYPE
DIMENSIONS: mm		CHK	12JUN2009		
TOLERANCES UNLESS OTHERWISE SPECIFIED:		APVD	12JUN2009		
0 PLC ± - 1 PLC ± 0.3 2 PLC ± 0.2 3 PLC ± 0.15 4 PLC ± - ANGLES ± 3°		PRODUCT SPEC	108-57802		
MATERIAL SEE TABEL		APPLICATION SPEC	-	SIZE	A3
		WEIGHT	-	CAGE CODE	00779
		CUSTOMER DRAWING		DRAWING NO	1775855
				RESTRICTED TO	-
		SCALE	1:1	SHEET	3 of 5
				REV	E

THIS DRAWING IS UNPUBLISHED.

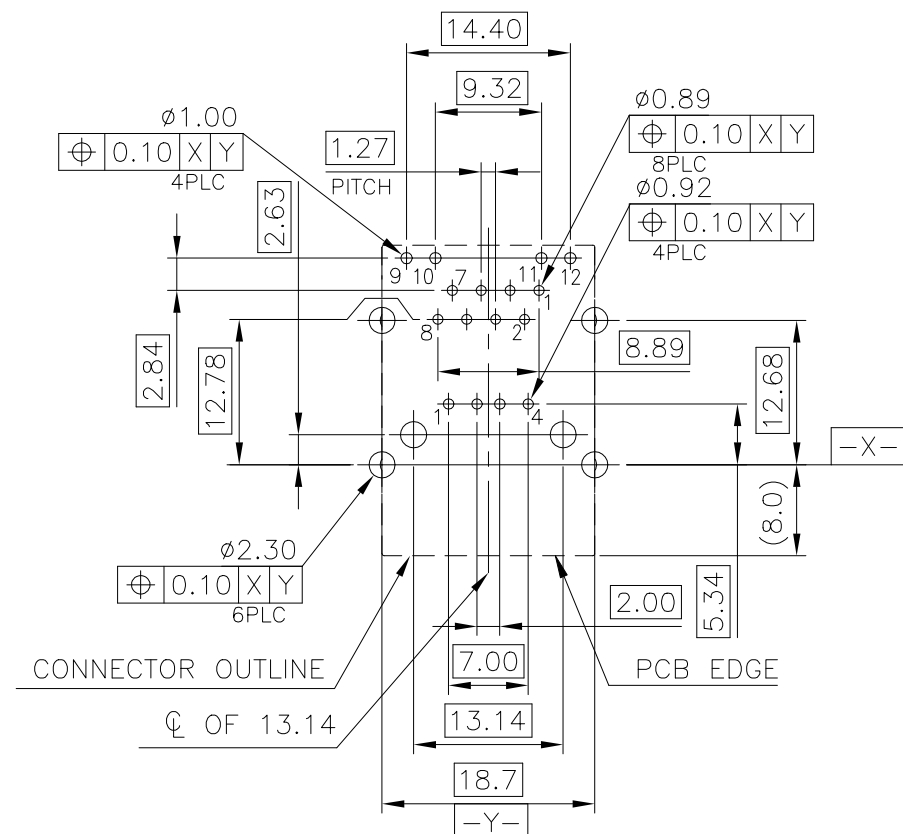
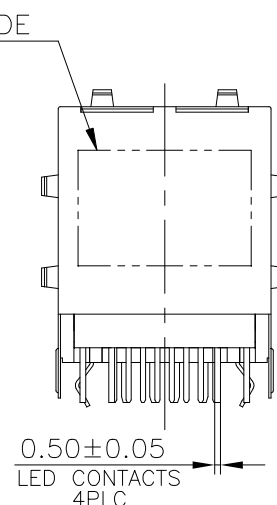
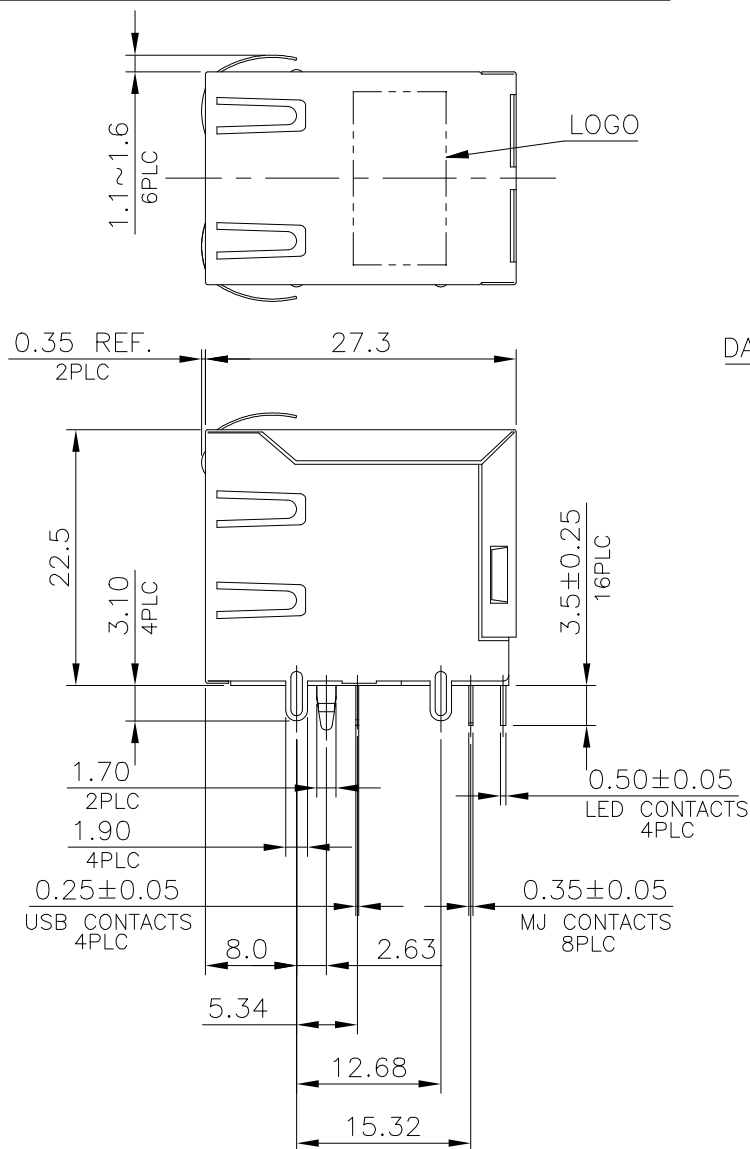
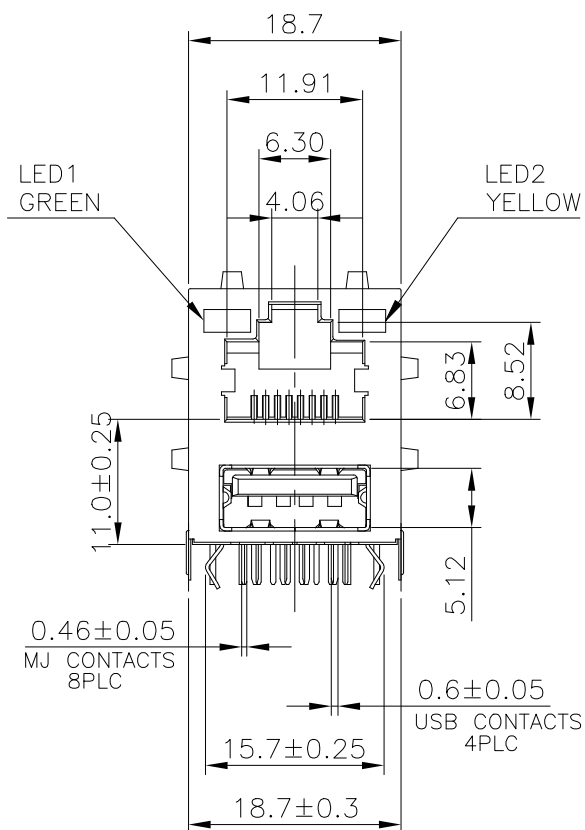
RELEASED FOR PUBLICATION

© COPYRIGHT - TE Connectivity Ltd.

ALL RIGHTS RESERVED.

REVISIONS

P	LTR	DESCRIPTION	DATE	DWN	APVD
-	-	SEE SHEET 1	-	-	-



RECOMMENDED PCB LAYOUT
 RECOMMENDED PCB THICKNESS: 1.6mm
 TOLERANCE: ±0.05 (TOP VIEW)

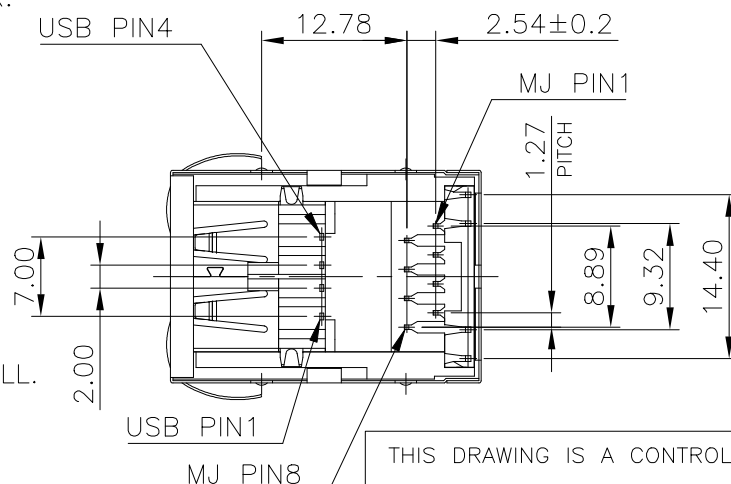
NOTE:

1. MATERIAL:

- 1.1 MJ HOUSING & LED COVER: PBT, WITH 30% GF, UL94V-0, BLACK COLOR.
- 1.2 MJ CONTACTS: PHOSPHOR BRONZE.
- 1.3 MJ SHIELD: BRASS.
- 1.4 LED SOLDER TAIL: EPOXY, STEEL.
- 1.5 USB HOUSING: PBT, UL94V-0, BLACK COLOR.
- 1.6 USB CONTACTS: BRASS.
- 1.7 USB SHIELD: SPCC.

2. FINISH:

- 2.1 MJ CONTACTS:
 SELECTIVE GOLD PLATED (SEE TABLE) ON CONTACT AREA,
 GOLD FLASH ON SOLDER TAILS,
 1.27um [50u"] MIN. NICKEL UNDERPLATED OVERALL.
 - 2.2 MJ SHIELD: 0.508um [20u"] MIN. NICKEL PLATED.
 - 2.3 LED SOLDER TAIL:
 1.02um [40u"] COPPER UNDERPLATED OVERALL.
 1.27um [50u"] NICKEL OVERALL.
 1.27um [50u"] SILVER ON BONDING AREA.
 2.54um [100u"] BRIGHT-TIN ON SOLDER AREA.
 - 2.4 USB CONTACT: SELECTIVE GOLD PLATED (SEE TABLE) ON CONTACT AREA,
 2.54um [100u"] MIN. BRIGHT-TIN PLATED ON SOLDER TAILS,
 1.27um [50u"] MIN. NICKEL UNDERPLATED OVERALL.
 - 2.5 USB SHIELD: 2.032um [80u"] MIN. NICKEL PLATED.
3. WAVE SOLDER CAPABLE TO 265°C PER TE CONNECTIVITY SPEC.
 109-202, CONDITION B.



LED ELECTRICAL CHARACTERISTIC			
NO.	NODE	COLOR	
LED1	9(+)	10(-)	GREEN 9-10
LED2	11(+)	12(-)	YELLOW 11-12

OBSOLETE	12.90	0.762um [30u"]	6-1775855-3
		GOLD FLASH	6-1775855-1
	WEIGHT (gram)	MIN. GOLD THICKNESS	PART NUMBER

THIS DRAWING IS A CONTROLLED DOCUMENT.		DWN	12JUN2009	TE Connectivity Ltd. NAME MODULAR JACK, RJ45, STACKED OVER, USB CONN., DIP TYPE			
DIMENSIONS: mm		CHK	12JUN2009				
TOLERANCES UNLESS OTHERWISE SPECIFIED:		APVD	12JUN2009				
0 PLC ± - 1 PLC ± 0.3 2 PLC ± 0.2 3 PLC ± 0.15 4 PLC ± - ANGLES ± 3°		PRODUCT SPEC	108-57802				
MATERIAL		APPLICATION SPEC		SIZE	CAGE CODE	DRAWING NO	RESTRICTED TO
SEE TABEL		WEIGHT	-	A3	00779	1775855	-
CUSTOMER DRAWING				SCALE	1:1	SHEET	4 of 5
				REV	E		

THIS DRAWING IS UNPUBLISHED.

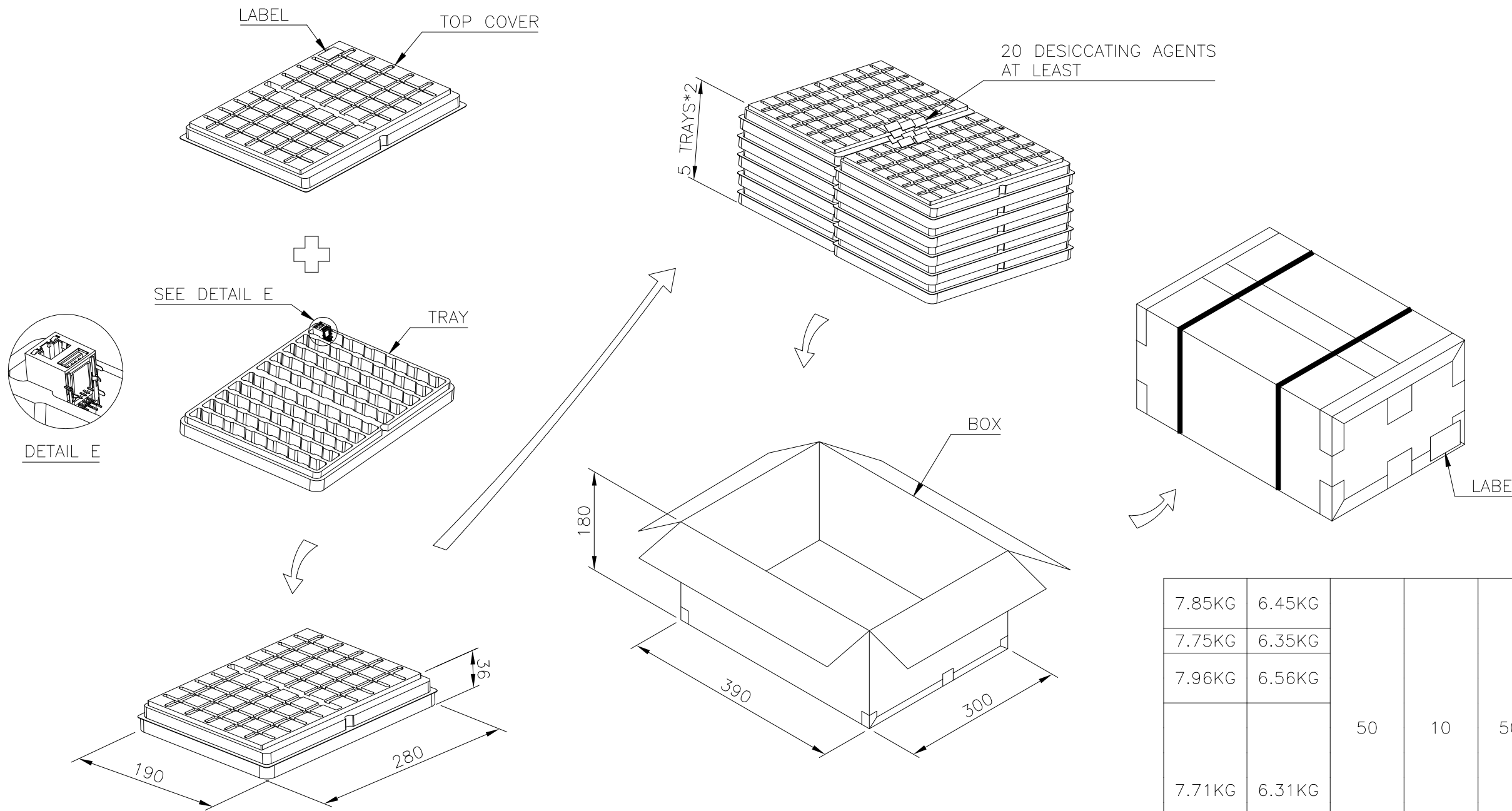
RELEASED FOR PUBLICATION

ALL RIGHTS RESERVED.

© COPYRIGHT - TE Connectivity Ltd.

REVISIONS

P	LTR	DESCRIPTION	DATE	DWN	APVD
-	-	SEE SHEET 1	-	-	-



7.85KG	6.45KG				6-1775855-3
					6-1775855-1
7.75KG	6.35KG				5-1775855-1
					4-1775855-2
7.96KG	6.56KG				4-1775855-1
					3-1775855-1
		50	10	500	2-1775855-2
					2-1775855-1
7.71KG	6.31KG				1-1775855-1
					1775855-3
					1775855-2
					1775855-1
GROSS WEIGHT	NET WEIGHT	PCS/ TRAY	TRAY/ BOX	PCS/ BOX	PART NUMBER

- NOTES:
- MATERIAL:
TRAY: PVC.
BOX: CORRUGATED FIBER.
 - DIMENSION: SEE DRAWING
 - QUANTITY: SEE TABLE
 - WEIGHT: SEE TABLE

THIS DRAWING IS A CONTROLLED DOCUMENT.		DWN	B. HSING	12JUN2009	 TE Connectivity Ltd.
		CHK	S. CHIEN	12JUN2009	
		APVD	W. KODAMA	12JUN2009	
		PRODUCT SPEC			
DIMENSIONS: mm		TOLERANCES UNLESS OTHERWISE SPECIFIED:		NAME	
		0 PLC ± - 1 PLC ± 0.3 2 PLC ± 0.2 3 PLC ± 0.15 4 PLC ± - ANGLES ± 3°		108-57802 APPLICATION SPEC -	
MATERIAL SEE TABEL		FINISH -		WEIGHT -	
CUSTOMER DRAWING			SIZE	A3	RESTRICTED TO
			CAGE CODE	00779	-
			DRAWING NO	1775855	REV
			SCALE	1:1	E
			SHEET	5 of 5	

X-ON Electronics

Largest Supplier of Electrical and Electronic Components

Click to view similar products for [Modular Connectors / Ethernet Connectors](#) category:

Click to view products by [TE Connectivity](#) manufacturer:

Other Similar products are found below :

[8949-H88/06BLKA/SN](#) [74441-0010/BKN](#) [MP1010RX-1000](#) [MP44RX-1000](#) [PHJ-4P4C-1-V-4](#) [PHP-6P6C-5](#) [GAX-3-66](#) [GAX-8-62](#) [GDCX-PA-66-50](#) [GDCX-PN-64](#) [GDCX-PN-66](#) [GDCX-PN-66-50](#) [GDLX-A-66](#) [GDLX-N-66](#) [GDLX-S-66](#) [GDLX-S-88K](#) [GDTX-S-88-50](#) [GDX-PA-1010](#) [GLX-N-1010M-BLK](#) [GLX-S-88M-BLK](#) [GMX-N-1010](#) [GMX-S-1010](#) [GMX-S-66](#) [GMX-SMT4-N-88](#) [GPX-2-64](#) [GSGX-N-2-88](#) [GSGX-N-4-88](#) [GSX-NS2-88-3.05](#) [GSX-NS2-88-3.05-50](#) [GSX-NS-88-3.05-50](#) [PT-108A-8C-UL](#) [PT-J951-8C](#) [PTS-J531-8CS-50UL](#) [1-1775629-2](#) [A-2014-0-4](#) [GWLX-S-88-GR](#) [GWLX-S9-88-YG](#) [DC-1021-8-WH-6](#) [1300530003](#) [1324640-4](#) [RJ11FTVC2G](#) [RJ11FTVC2N](#) [RJFTVX2SA1G](#) [132764-001](#) [1413235](#) [MP88X-1000](#) [MPS88RX-5000](#) [E5288-S000K3-L](#) [E5908-15A242-L](#) [155302-001](#)