



THIS DRAWING IS UNPUBLISHED.

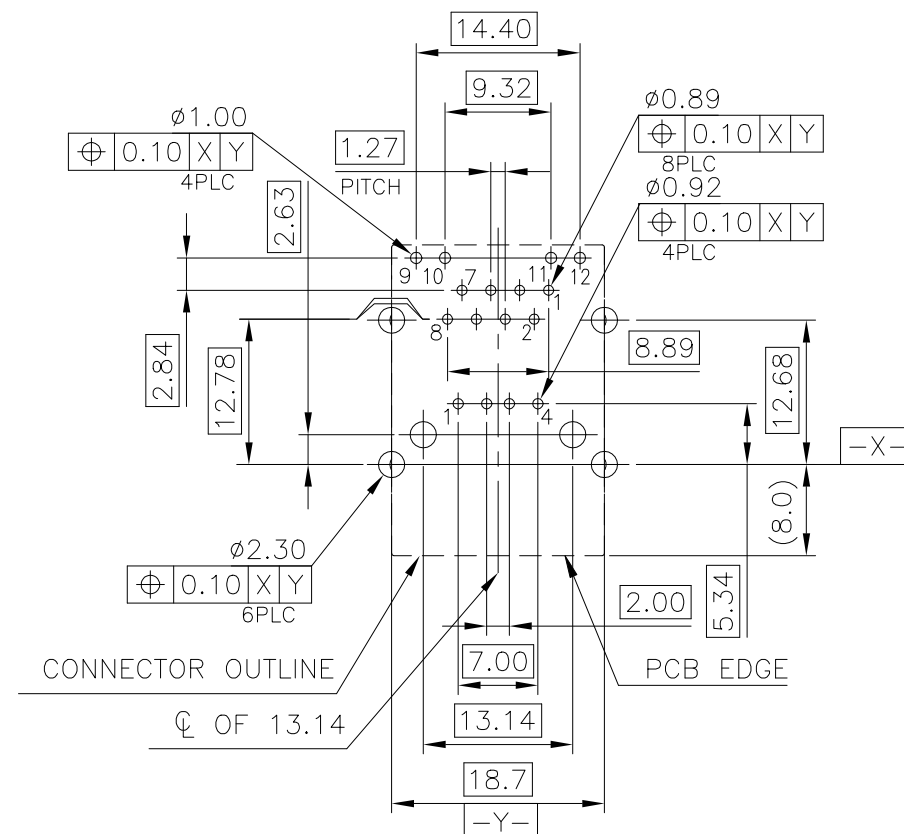
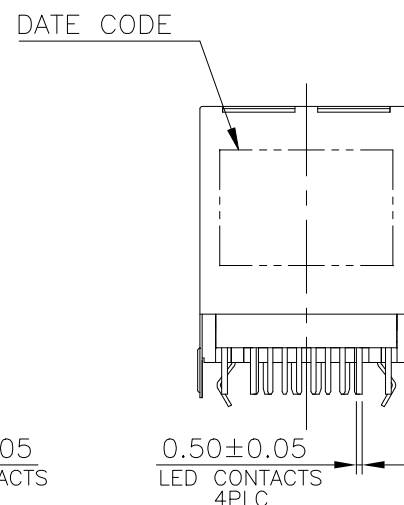
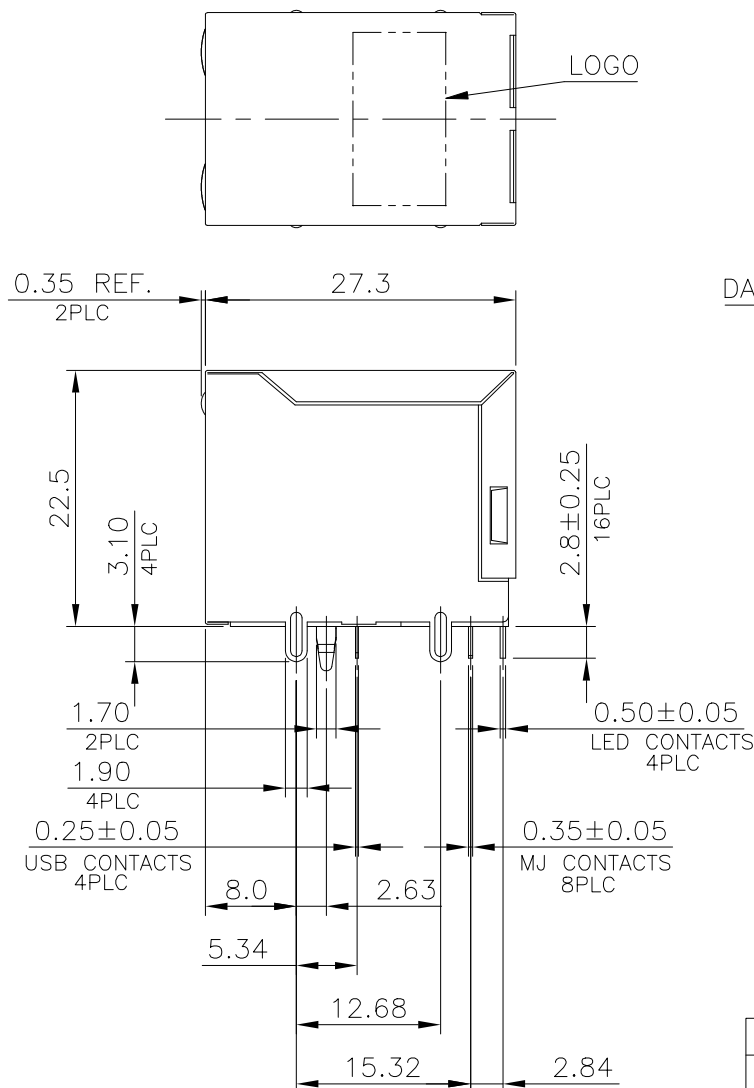
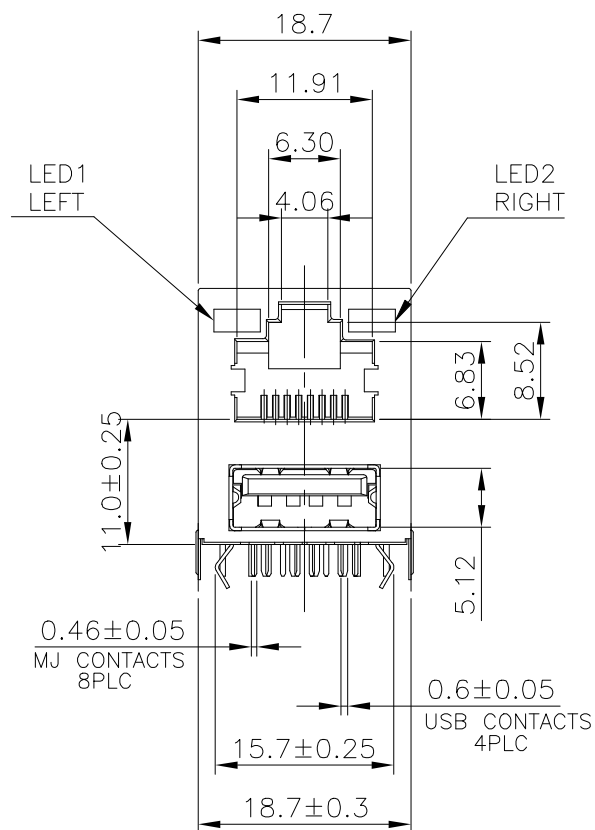
RELEASED FOR PUBLICATION

© COPYRIGHT - TE Connectivity Ltd.

ALL RIGHTS RESERVED.

REVISIONS

P	LTR	DESCRIPTION	DATE	DWN	APVD
-	-	SEE SHEET 1	-	-	-



RECOMMENDED PCB LAYOUT  
 RECOMMENDED PCB THICKNESS: 1.6mm  
 TOLERANCE: ±0.05 (TOP VIEW)

NOTE:

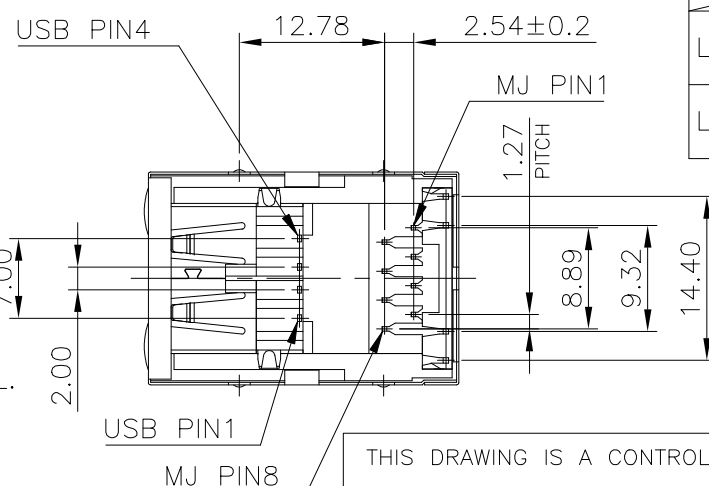
1. MATERIAL:

- 1.1 MJ HOUSING & LED COVER: PBT, WITH 30% GF, UL94V-0, BLACK COLOR.
- 1.2 MJ CONTACTS: PHOSPHOR BRONZE.
- 1.3 MJ SHIELD: BRASS.
- 1.4 LED SOLDER TAIL: EPOXY, STEEL.
- 1.5 USB HOUSING: PBT, UL94V-0, BLACK COLOR.
- 1.6 USB CONTACTS: BRASS.
- 1.7 USB SHIELD: SPCC.

2. FINISH:

- 2.1 MJ CONTACTS:  
GOLD FLASH PLATED ON CONTACT AREA,  
GOLD FLASH ON SOLDER TAILS,  
1.27um [50u"] MIN. NICKEL UNDERPLATED OVERALL.
- 2.2 MJ SHIELD: 0.508um [20u"] MIN. NICKEL PLATED.
- 2.3 LED SOLDER TAIL:  
1.02um [40u"] COPPER UNDERPLATED OVERALL.  
1.27um [50u"] NICKEL OVERALL.  
1.27um [50u"] SILVER ON BONDING AREA.  
2.54um [100u"] BRIGHT-TIN ON SOLDER AREA.
- 2.4 USB CONTACT: GOLD FLASH PLATED ON CONTACT AREA,  
2.54um [100u"] MIN. BRIGHT-TIN PLATED ON SOLDER TAILS,  
1.27um [50u"] MIN. NICKEL UNDERPLATED OVERALL.
- 2.5 USB SHIELD: 2.032um [80u"] MIN. NICKEL PLATED.

- 3. WAVE SOLDER CAPABLE TO 265°C PER TE CONNECTIVITY SPEC.  
109-202, CONDITION B.



FOR 4-1775855-1			
LED ELECTRICAL CHARACTERISTIC			
	NODE	COLOR	
LED LEFT	9(+)	10(-)	ORANGE 9-↗-10
	9(-)	10(+)	GREEN 9-↖-10
LED RIGHT	11(+)	12(-)	ORANGE 11-↗-12
	11(-)	12(+)	GREEN 11-↖-12

FOR 4-1775855-2			
LED ELECTRICAL CHARACTERISTIC			
	NODE	COLOR	
LED LEFT	9(+)	10(-)	GREEN 9-↗-10
	9(-)	10(+)	ORANGE 9-↖-10
LED RIGHT	11(+)	12(-)	GREEN 11-↗-12

13.11	GREEN/ORANGE	GREEN	4-1775855-2
	ORANGE/GREEN	ORANGE/GREEN	4-1775855-1
WEIGHT (gram)	LEFT	RIGHT	PART NUMBER
	LED COLORS		

THIS DRAWING IS A CONTROLLED DOCUMENT.		DWN	12JUN2009		 TE Connectivity Ltd.
		CHK	12JUN2009		
		APVD	12JUN2009		
		PRODUCT SPEC	108-57802		
DIMENSIONS: mm		TOLERANCES UNLESS OTHERWISE SPECIFIED:		NAME	
		0 PLC ± - 1 PLC ± 0.3 2 PLC ± 0.2 3 PLC ± 0.15 4 PLC ± - ANGLES ± 3'		W. KODAMA APPLICATION SPEC	
MATERIAL		FINISH		SIZE A3	
SEE TABEL		-		CAGE CODE 00779	
		WEIGHT		DRAWING NO 1775855	
		CUSTOMER DRAWING		RESTRICTED TO -	
				SCALE 1:1	
				SHEET 2 of 5	
				REV E	

THIS DRAWING IS UNPUBLISHED.

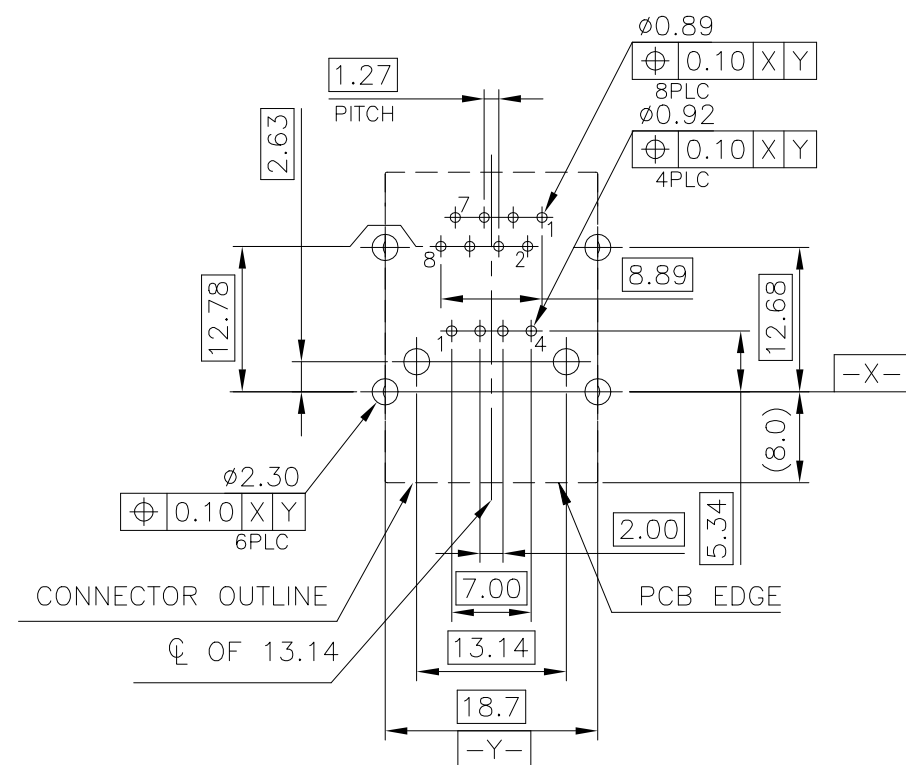
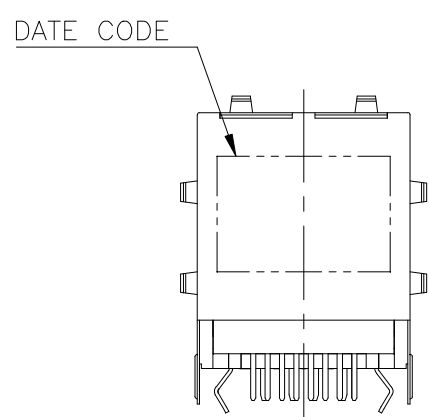
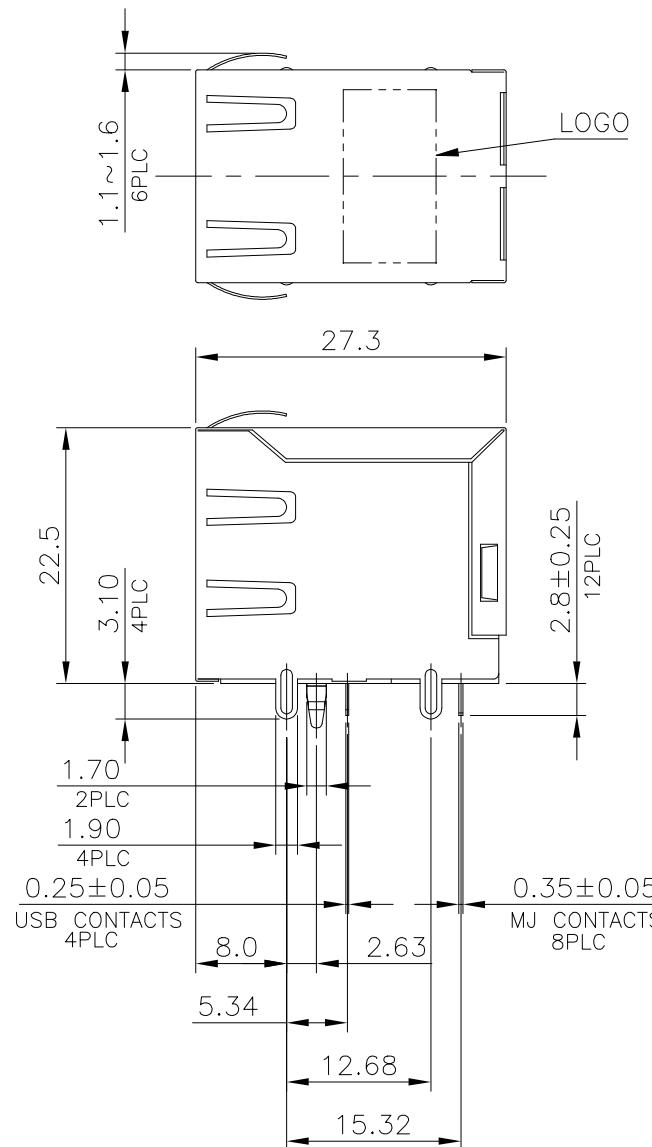
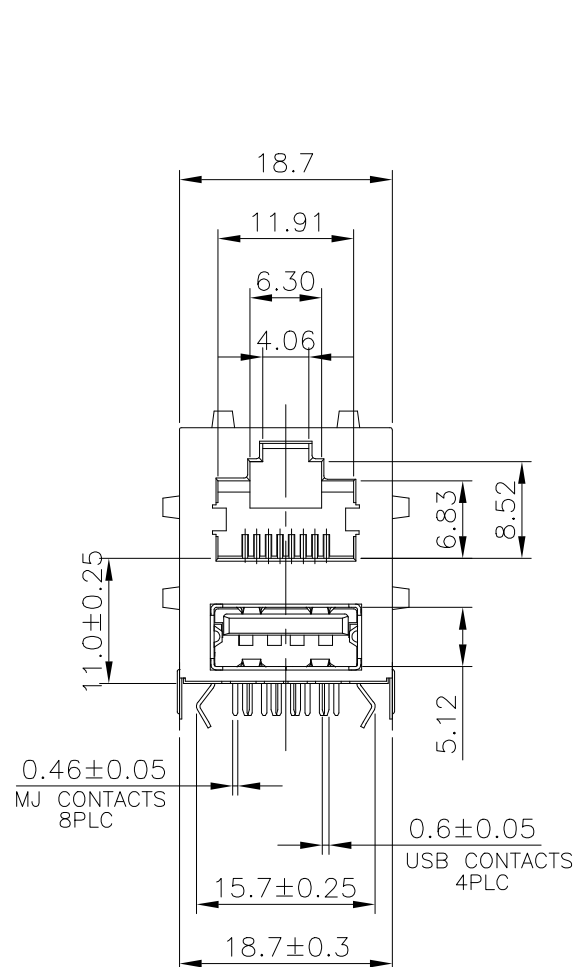
RELEASED FOR PUBLICATION

© COPYRIGHT - TE Connectivity Ltd.

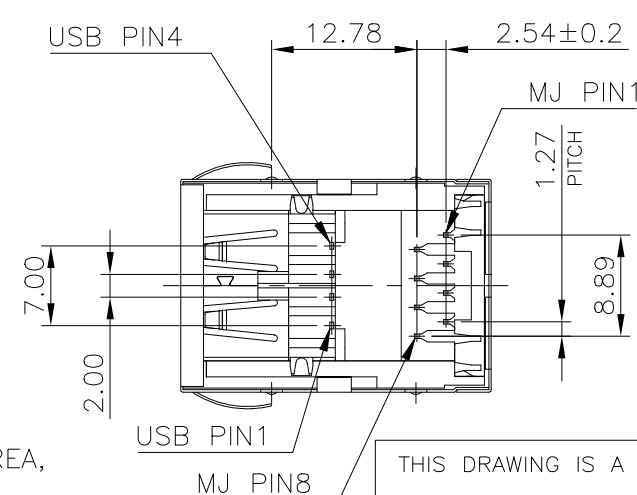
ALL RIGHTS RESERVED.

REVISIONS

P	LTR	DESCRIPTION	DATE	DWN	APVD
-	-	SEE SHEET 1	-	-	-



RECOMMENDED PCB LAYOUT  
 RECOMMENDED PCB THICKNESS: 1.6mm  
 TOLERANCE: ±0.05 (TOP VIEW)



- NOTE:
- MATERIAL:
    - MJ HOUSING: PBT, WITH 30% GF, UL94V-0, COLOR: SEE TABLE.
    - MJ CONTACTS: PHOSPHOR BRONZE.
    - MJ SHIELD: BRASS.
    - USB HOUSING: PBT, UL94V-0, COLOR: SEE TABLE.
    - USB CONTACTS: BRASS.
    - USB SHIELD: SPCC.
  - FINISH:
    - MJ CONTACTS: GOLD FLASH PLATED ON CONTACT AREA, GOLD FLASH ON SOLDER TAILS, 1.27um [50u"] MIN. NICKEL UNDERPLATED OVERALL.
    - MJ SHIELD: 0.508um [20u"] MIN. NICKEL PLATED.
    - USB CONTACT: GOLD FLASH PLATED ON CONTACT AREA, 2.54um [100u"] MIN. BRIGHT-TIN PLATED ON SOLDER TAILS, 1.27um [50u"] MIN. NICKEL UNDERPLATED OVERALL.
    - USB SHIELD: 2.032um [80u"] MIN. NICKEL PLATED.
  - WAVE SOLDER CAPABLE TO 265°C PER TE CONNECTIVITY SPEC. 109-202, CONDITION B.

12.69	5-1775855-1
WEIGHT (gram)	PART NUMBER

THIS DRAWING IS A CONTROLLED DOCUMENT.		DWN	12JUN2009	TE Connectivity Ltd.	NAME MODULAR JACK, RJ45, STACKED OVER, USB CONN., DIP TYPE		
DIMENSIONS: mm		CHK	12JUN2009				
TOLERANCES UNLESS OTHERWISE SPECIFIED:		APVD	12JUN2009				
0 PLC ± - 1 PLC ± 0.3 2 PLC ± 0.2 3 PLC ± 0.15 4 PLC ± - ANGLES ± 3°		PRODUCT SPEC	108-57802				
MATERIAL		APPLICATION SPEC	-	SIZE	CAGE CODE	DRAWING NO	RESTRICTED TO
SEE TABEL		WEIGHT	-	A3	00779	C=1775855	-
CUSTOMER DRAWING				SCALE	1:1	SHEET	3 of 5
				REV	E		

THIS DRAWING IS UNPUBLISHED.

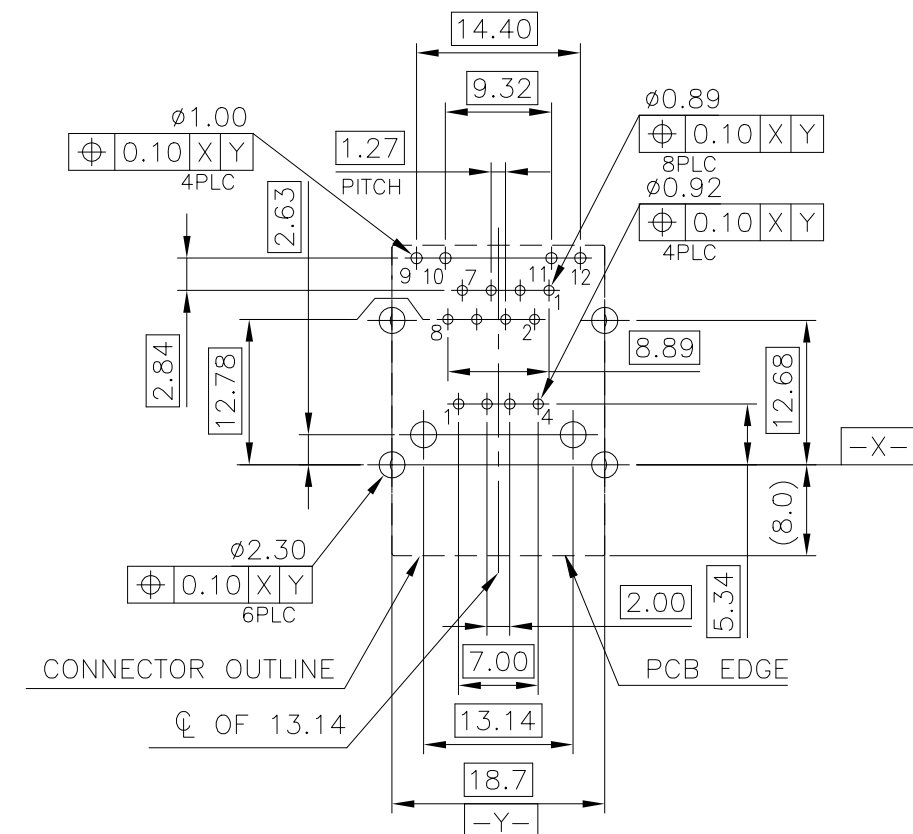
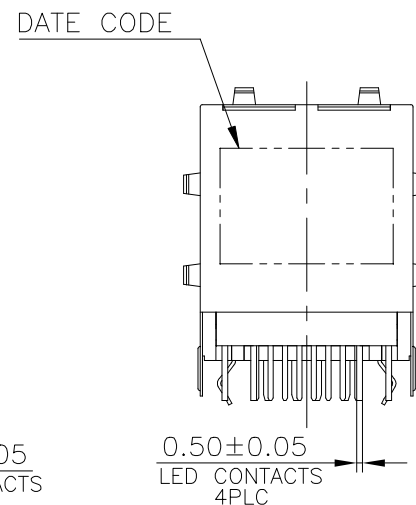
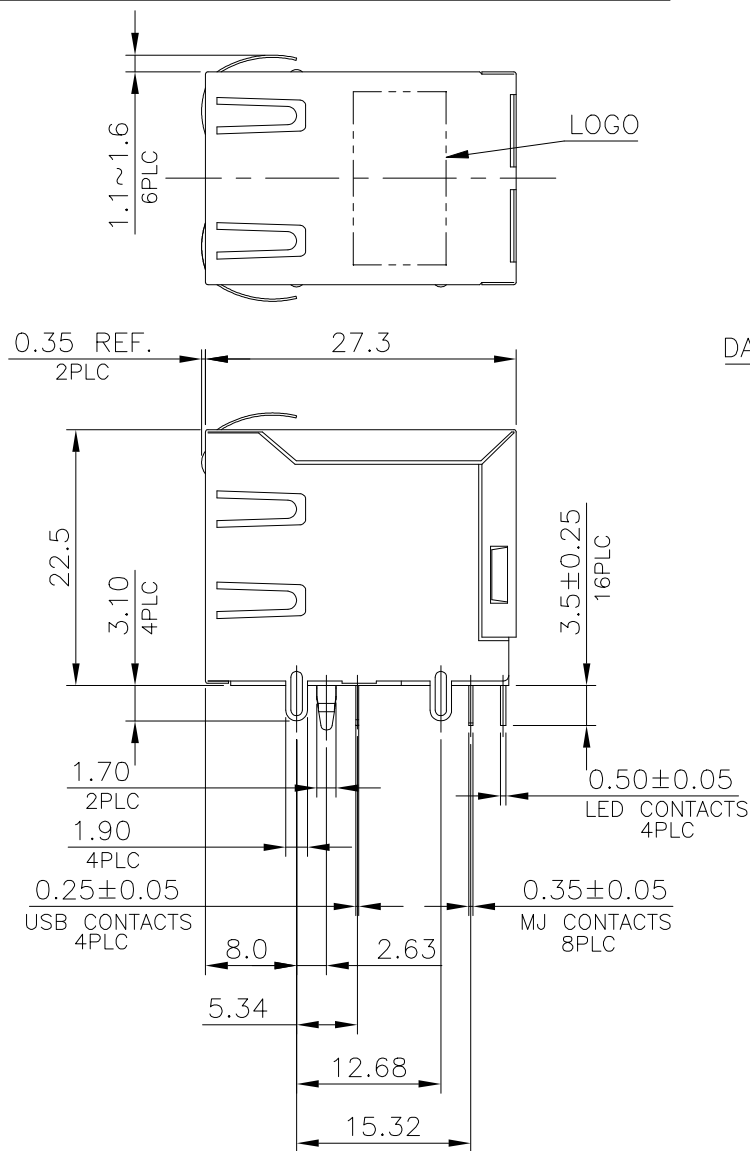
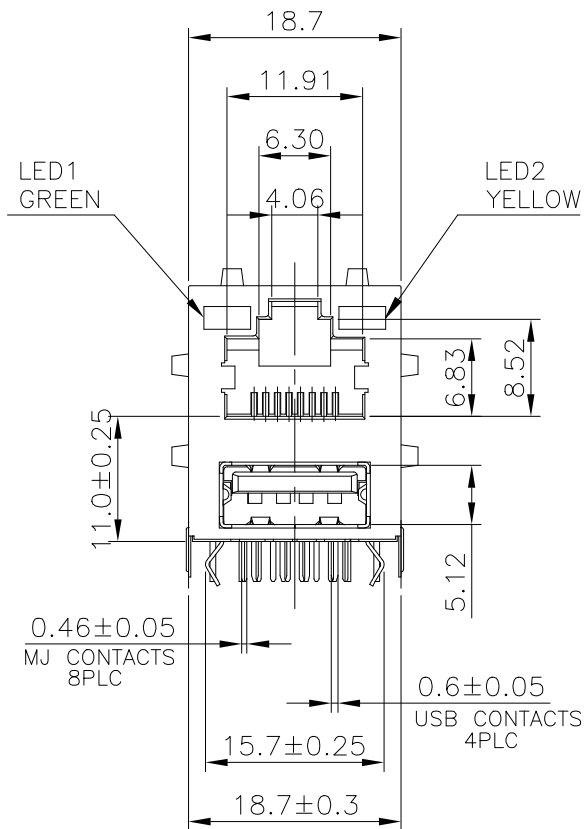
RELEASED FOR PUBLICATION

© COPYRIGHT - TE Connectivity Ltd.

ALL RIGHTS RESERVED.

REVISIONS

P	LTR	DESCRIPTION	DATE	DWN	APVD
-	-	SEE SHEET 1	-	-	-



RECOMMENDED PCB LAYOUT  
 RECOMMENDED PCB THICKNESS: 1.6mm  
 TOLERANCE: ±0.05 (TOP VIEW)

NOTE:

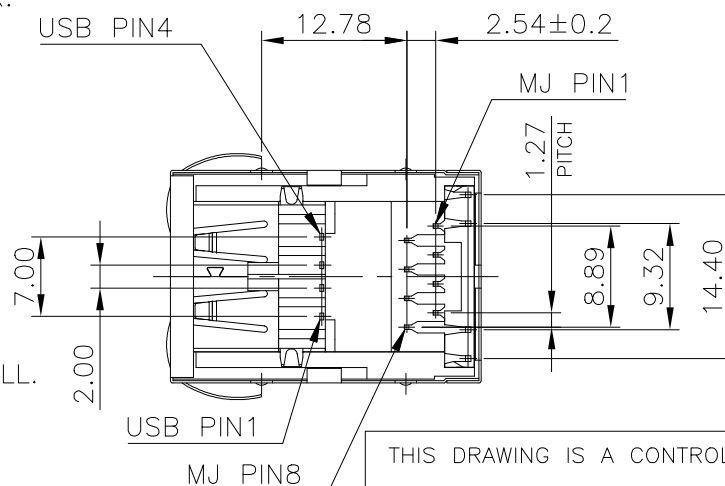
1. MATERIAL:

- 1.1 MJ HOUSING & LED COVER: PBT, WITH 30% GF, UL94V-0, BLACK COLOR.
- 1.2 MJ CONTACTS: PHOSPHOR BRONZE.
- 1.3 MJ SHIELD: BRASS.
- 1.4 LED SOLDER TAIL: EPOXY, STEEL.
- 1.5 USB HOUSING: PBT, UL94V-0, BLACK COLOR.
- 1.6 USB CONTACTS: BRASS.
- 1.7 USB SHIELD: SPCC.

2. FINISH:

- 2.1 MJ CONTACTS:  
SELECTIVE GOLD PLATED (SEE TABLE) ON CONTACT AREA,  
GOLD FLASH ON SOLDER TAILS,  
1.27um [50u"] MIN. NICKEL UNDERPLATED OVERALL.
- 2.2 MJ SHIELD: 0.508um [20u"] MIN. NICKEL PLATED.
- 2.3 LED SOLDER TAIL:  
1.02um [40u"] COPPER UNDERPLATED OVERALL.  
1.27um [50u"] NICKEL OVERALL.  
1.27um [50u"] SILVER ON BONDING AREA.  
2.54um [100u"] BRIGHT-TIN ON SOLDER AREA.
- 2.4 USB CONTACT: SELECTIVE GOLD PLATED (SEE TABLE) ON CONTACT AREA,  
2.54um [100u"] MIN. BRIGHT-TIN PLATED ON SOLDER TAILS,  
1.27um [50u"] MIN. NICKEL UNDERPLATED OVERALL.
- 2.5 USB SHIELD: 2.032um [80u"] MIN. NICKEL PLATED.

3. WAVE SOLDER CAPABLE TO 265°C PER TE CONNECTIVITY SPEC. 109-202, CONDITION B.



LED ELECTRICAL CHARACTERISTIC			
NO.	NODE	COLOR	
LED1	9(+)	10(-)	GREEN 9-10
LED2	11(+)	12(-)	YELLOW 11-12

OBSOLETE	12.90	0.762um [30u"]	6-1775855-3
		GOLD FLASH	6-1775855-1
	WEIGHT (gram)	MIN. GOLD THICKNESS	PART NUMBER

THIS DRAWING IS A CONTROLLED DOCUMENT.		DWN	12JUN2009	TE Connectivity Ltd. NAME MODULAR JACK, RJ45, STACKED OVER, USB CONN., DIP TYPE	
DIMENSIONS: mm		CHK	12JUN2009		
TOLERANCES UNLESS OTHERWISE SPECIFIED:		APVD	12JUN2009		
0 PLC ± - 1 PLC ± 0.3 2 PLC ± 0.2 3 PLC ± 0.15 4 PLC ± - ANGLES ± 3°		PRODUCT SPEC	108-57802		
MATERIAL		APPLICATION SPEC		SIZE	RESTRICTED TO
SEE TABEL		WEIGHT -		A3	-
CUSTOMER DRAWING				SCALE	REV
				1:1	E
				SHEET	4 of 5

THIS DRAWING IS UNPUBLISHED.

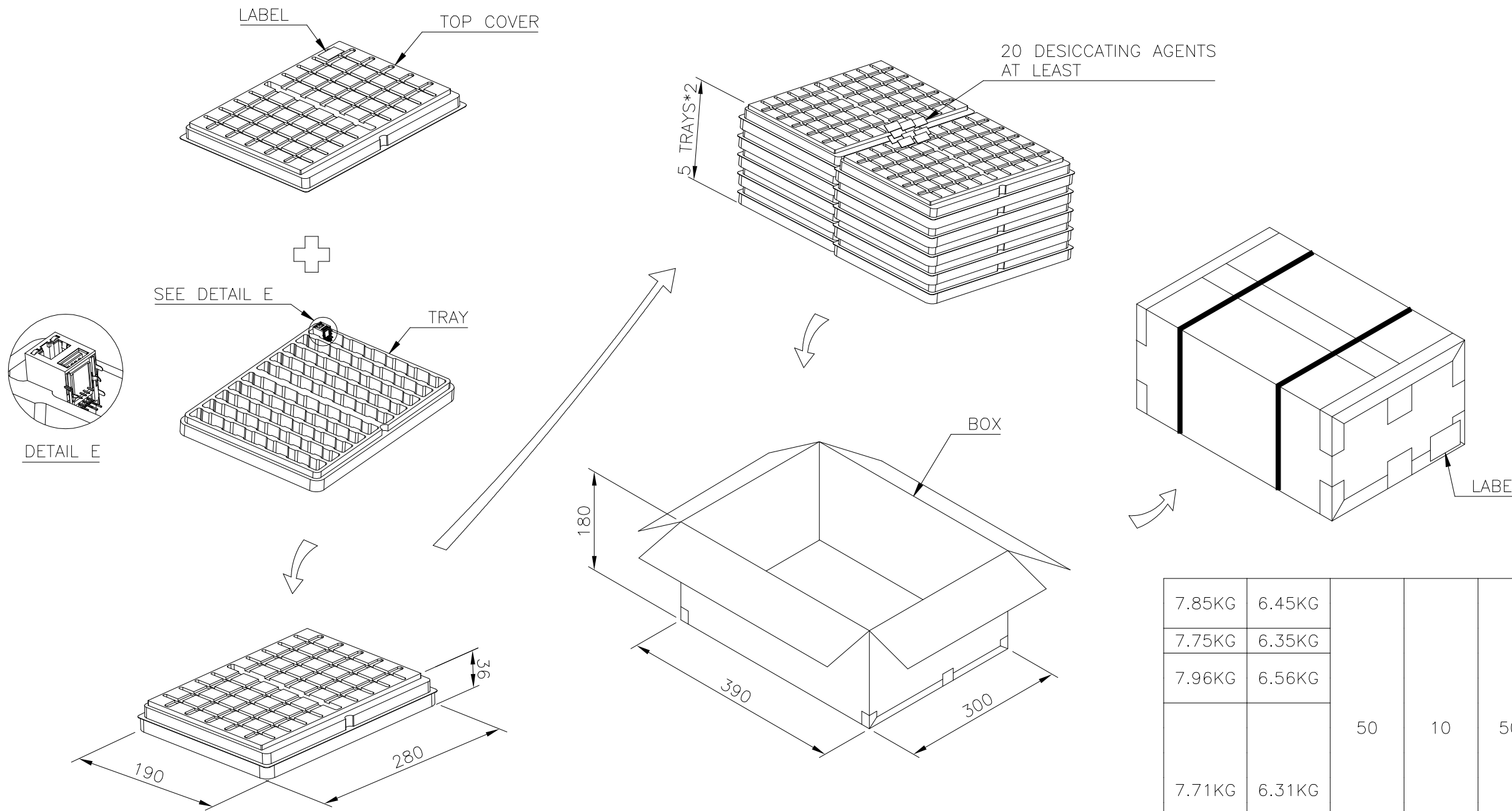
RELEASED FOR PUBLICATION

ALL RIGHTS RESERVED.

© COPYRIGHT - TE Connectivity Ltd.

REVISIONS

P	LTR	DESCRIPTION	DATE	DWN	APVD
-	-	SEE SHEET 1	-	-	-



7.85KG	6.45KG				6-1775855-3
					<del>6-1775855-1</del>
7.75KG	6.35KG				5-1775855-1
					4-1775855-2
7.96KG	6.56KG				4-1775855-1
					<del>3-1775855-1</del>
		50	10	500	<del>2-1775855-2</del>
					<del>2-1775855-1</del>
					1-1775855-1
					1775855-3
					1775855-2
					1775855-1
GROSS WEIGHT	NET WEIGHT	PCS/ TRAY	TRAY/ BOX	PCS/ BOX	PART NUMBER

- NOTES:
- MATERIAL:  
TRAY: PVC.  
BOX: CORRUGATED FIBER.
  - DIMENSION: SEE DRAWING
  - QUANTITY: SEE TABLE
  - WEIGHT: SEE TABLE

THIS DRAWING IS A CONTROLLED DOCUMENT.		DWN	B. HSING	12JUN2009	 TE Connectivity Ltd.
		CHK	S. CHIEN	12JUN2009	
		APVD	W. KODAMA	12JUN2009	
		PRODUCT SPEC			
DIMENSIONS: mm		TOLERANCES UNLESS OTHERWISE SPECIFIED:		NAME	
		0 PLC ± - 1 PLC ± 0.3 2 PLC ± 0.2 3 PLC ± 0.15 4 PLC ± - ANGLES ± 3°		108-57802 APPLICATION SPEC -	
MATERIAL SEE TABEL		FINISH -		WEIGHT -	
CUSTOMER DRAWING			SIZE	A3	RESTRICTED TO
			CAGE CODE	00779	-
			DRAWING NO	C=1775855	-
			SCALE	1:1	REV
			SHEET	5 of 5	E

## X-ON Electronics

Largest Supplier of Electrical and Electronic Components

*Click to view similar products for [USB Connectors](#) category:*

*Click to view products by [TE Connectivity](#) manufacturer:*

Other Similar products are found below :

[65-647-8-BK-BU](#) [950](#) [952](#) [E8144-B01021-L](#) [A-USB B-TOP-C](#) [MUSBA511N5](#) [MUSBD11135](#) [217450-1](#) [CA 6 W LD](#) [KMBVX-TH-5S-B30](#)  
[896-30-004-00-000000](#) [KUSBVX-BS1N-W30](#) [KUSBX-AP-KIT-SCBLK](#) [KUSBX-AS2N-W](#) [KUSBX-SMT2AP1S-W](#) [KUSBX-SMT2AP1S-](#)  
[W30](#) [935](#) [957](#) [30-498-6](#) [17-210051](#) [1734082-1](#) [30-1574](#) [30-470](#) [30-489](#) [30-541](#) [30-572-3](#) [MAB 8 SN V](#) [A-USB A-2P-C](#) [MIKROE-1451](#)  
[USBFTV2PEM2G](#) [USBFTVC6ZN](#) [KUSBX-AS2N-W30](#) [KUSBX-SLAS1N-W](#) [KUSBX-SMT-AS1N-W30](#) [4689-1](#) [1-1734084-2](#) [E8110-001-](#)  
[01](#) [33UBARS1-04SW11](#) [33UBAR-04SW11](#) [USBF21ZNSCC](#) [USBBFTV6ZC](#) [MUSBB151341](#) [10135326-001LF](#) [M9177/3-1](#) [USB-A-S-F-B-](#)  
[VT](#) [925](#) [4198](#) [690-024-633-031](#) [KUSBEX-BSFS1N-W](#) [USBFTVC6MRG](#)