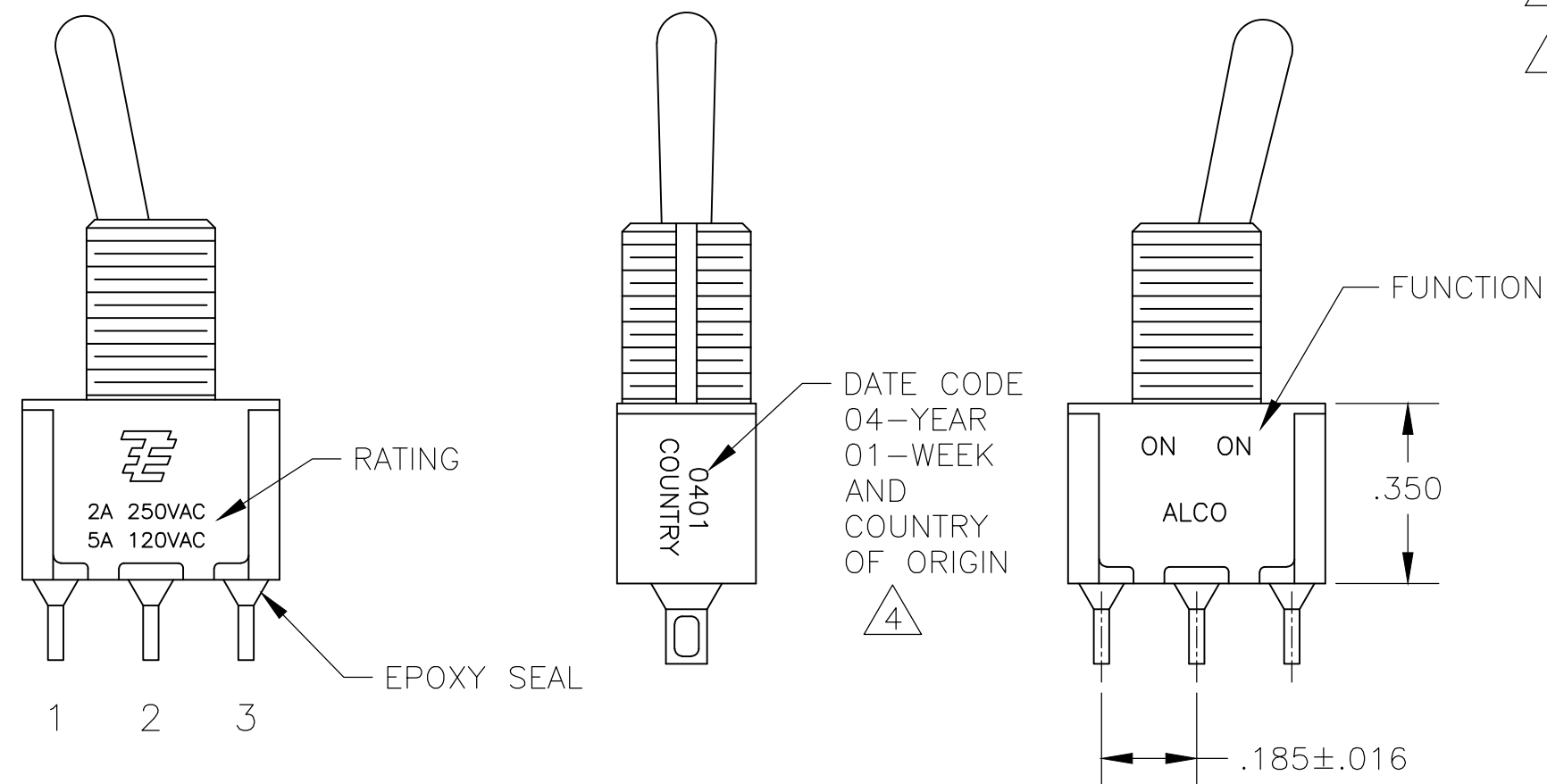
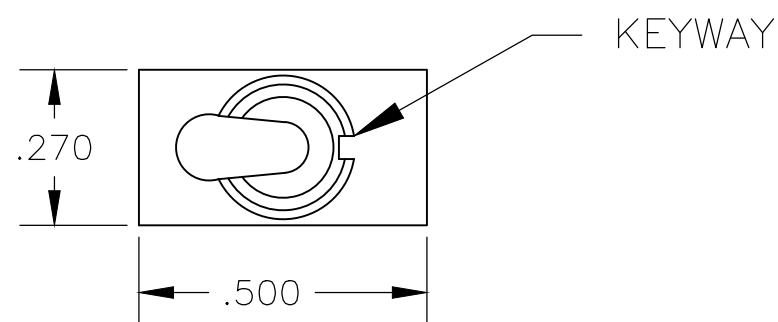


THIS DRAWING IS UNPUBLISHED. RELEASED FOR PUBLICATION  
 © COPYRIGHT - By - ALL RIGHTS RESERVED.

REVISIONS					
P	LTR	DESCRIPTION	DATE	DWN	APVD
A8		ECR-16-017266	25JUN2018	SR	PO



- ALL MATERIALS AND FINISHES SHALL COMPLY WITH EU DIRECTIVE 2002/95/EC OF 27JAN2003 (ROHS).
- EACH SWITCH WITH THREADED BUSHINGS SUPPLIED WITH THE FOLLOWING MOUNTING HARDWARE:  
 (2) HEX NUTS  
 (1) INTERNAL TOOTH LOCKWASHER  
 (1) LOCATING RING.
- G CONTACT OPTION CAN BE USED FOR SIGNAL OR POWER LEVEL SWITCHING. IF SWITCH IS USED AT LEVELS EXCEEDING .4VA @ 20V AC/DC, SWITCH IS RENDERED FOR POWER SWITCHING ONLY DUE TO ARC REMOVAL OF GOLD PLATING. RATING MARKED ON FRAME IS 2A 250VAC, 5A 120VAC.
- DATE CODE AND COUNTRY OF ORIGIN MAY APPEAR ON EITHER SIDE OF SWITCH.
- LENGTH OF TOGGLE REDUCED BY .020 WITH A, AV2, V30 OR V40 VERTICAL SUPPORT BRACKET OPTIONS.
- ALL LOGO, RATING, DATE CODE, AND FUNCTION MARKINGS TO BE LASER MARKED.

FUNCTION CHART			
FUNCTION	1 2 3	1 2 3	1 2 3
01	ON	NONE	ON
03	ON	OFF	ON
08	ON	NONE	(ON)
TERMINALS CONNECTED	2-3	---	1-2

None: No mechanical position  
 Off: Mechanical position with no electrical connection  
 (On): Momentary action

PART NUMBER SEQUENCE CHART						
MODEL	FUNCTION	TOGGLE	BUSHING	TERMINAL	CONTACT	RoHS
A1	01	K	CW	A	B	04
		K1	D	AV2	G	
	08	L	D9	C	Q	
		L1	H	V30		
		L2	Y	V40		
		M	Y9	W		
		P3		W4		
		S		Z		
		T		Z3		
		T1				

EXAMPLE: A101SYCQ04

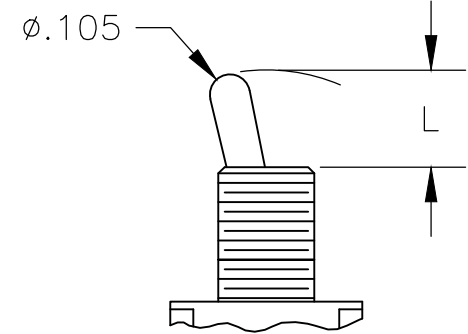
SPECIFICATIONS CHART	
RATING, B CONTACTS	.4VA MAX @20V MAX. AC OR DC
RATING, G CONTACTS—SEE NOTE 3	.4VA MAX @20V MAX. AC OR DC OR
	5A @120 VAC OR 28 VDC (RESISTIVE)
RATING, Q CONTACTS	2A @250 VAC (RESISTIVE)
	5A @120 VAC OR 28 VDC (RESISTIVE)
ELECTRICAL LIFE	6,000 CYCLES AT RATED LOAD
CONTACT RESISTANCE	10 MILLIOHMS MAX INITIAL @ 2-4VDC, 100ma
INSULATION RESISTANCE	1,000 MEGOHMS MIN
DIELECTRIC WITHSTANDING VOLTAGE	1,000 V RMS AT SEA LEVEL
OPERATING TEMPRATURE	-30C TO 85C

THIS DRAWING IS A CONTROLLED DOCUMENT.		DWN B.S.VISWESWARA	14APR05		
DIMENSIONS: INCHES		CHK M.ZITTO			
TOLERANCES UNLESS OTHERWISE SPECIFIED:		APVD P.BROUILLETTE		NAME GEMINI A SERIES TOGGLE SWITCH, SINGLE POLE, 2 POSITION FUNCTIONS (01 & 08)	
0 PLC ± -		PRODUCT SPEC		SIZE	CAGE CODE
1 PLC ± -		APPLICATION SPEC		A2	00779
2 PLC ± -				DRAWING NO C=1825136	
3 PLC ± .010				RESTRICTED TO	
4 PLC ± -				-	
ANGLES ± 2°				SCALE	SHEET
MATERIAL	FINISH	WEIGHT		3:1	1 of 4
				REV	A8
CUSTOMER DRAWING					

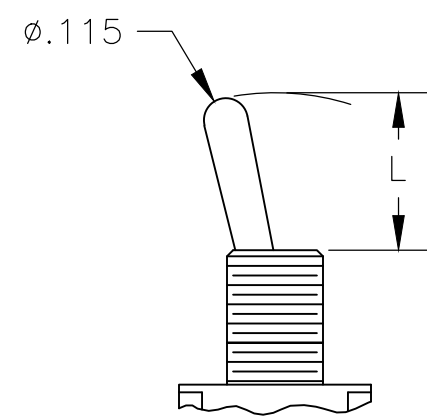
THIS DRAWING IS UNPUBLISHED. RELEASED FOR PUBLICATION. ALL RIGHTS RESERVED.

REVISIONS					
P	LTR	DESCRIPTION	DATE	DWN	APVD
-	-	SEE SHEET 1	-	-	-

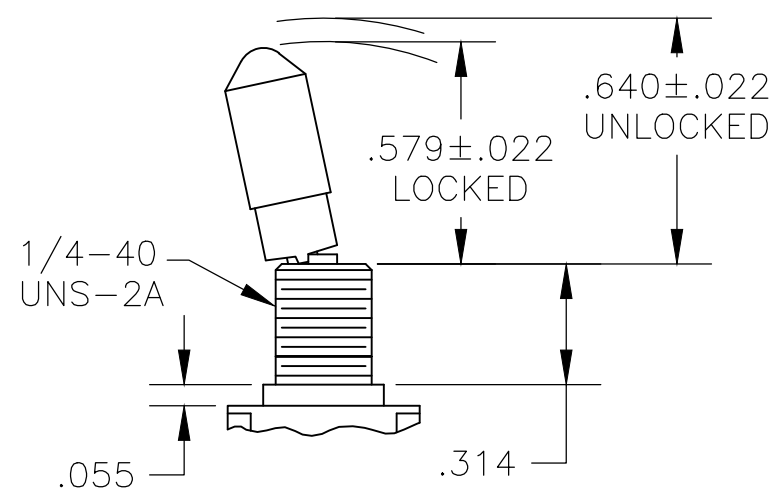
### TOGGLES



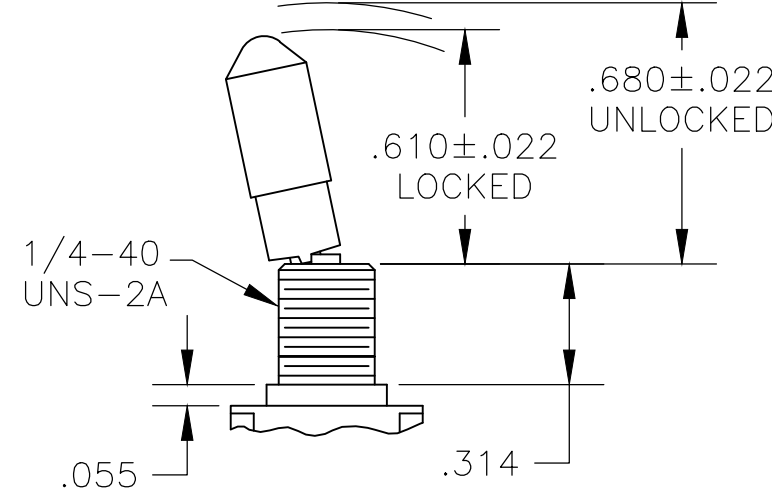
**M** SHORT



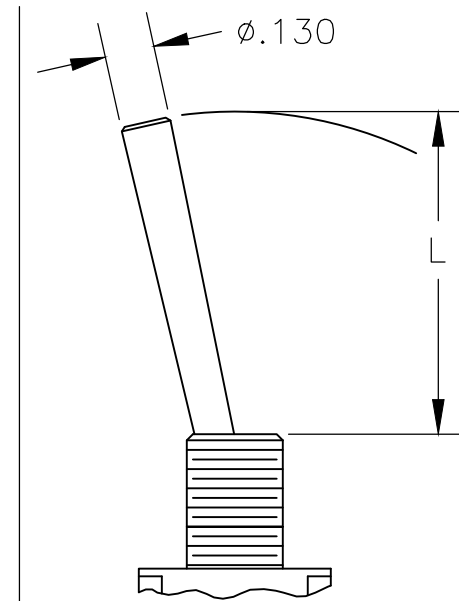
**S** STANDARD



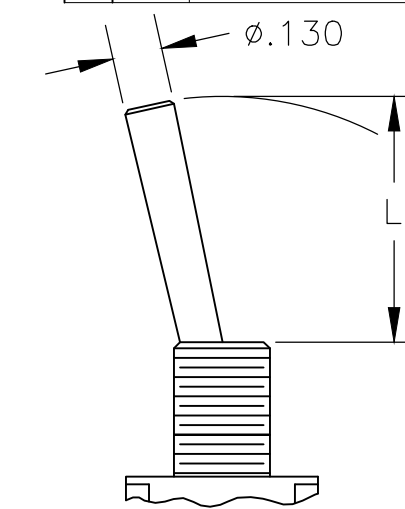
**K** NO BUSHING OPTION NEEDED



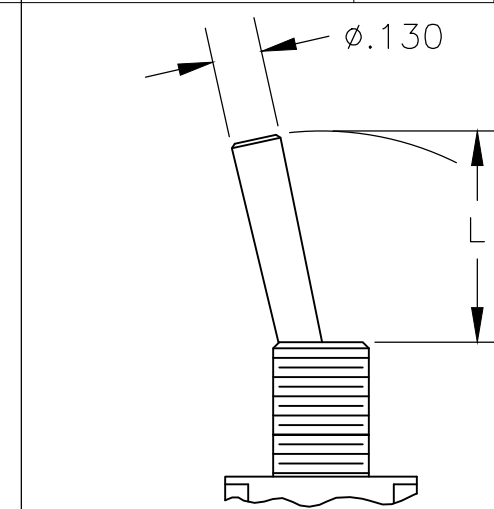
**K1** NO BUSHING OPTION NEEDED



**L** LEVER



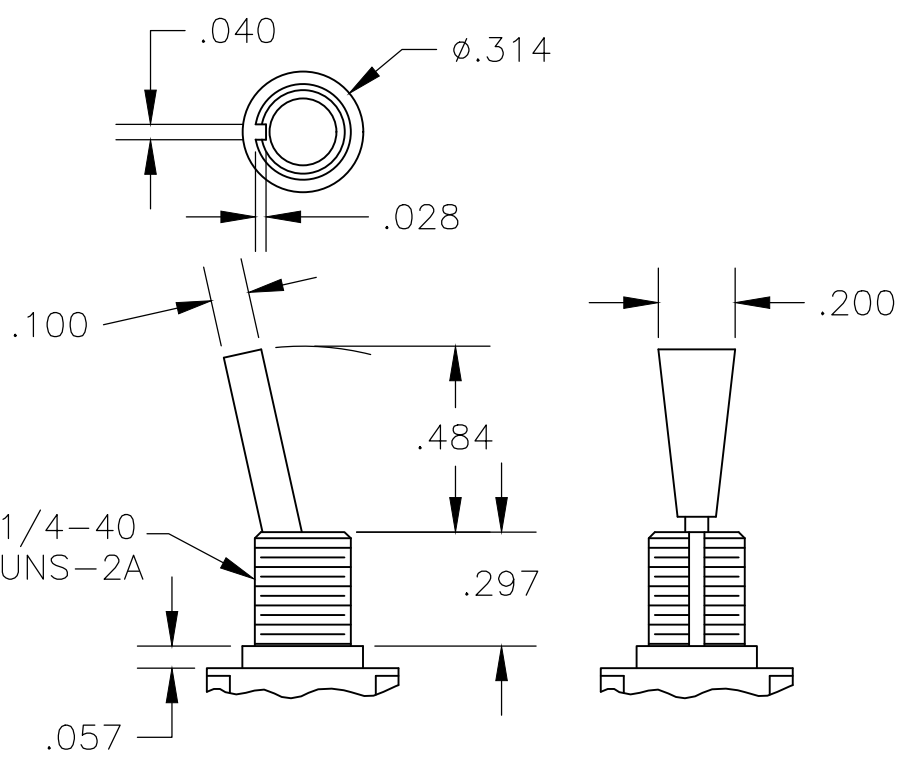
**L1** LEVER



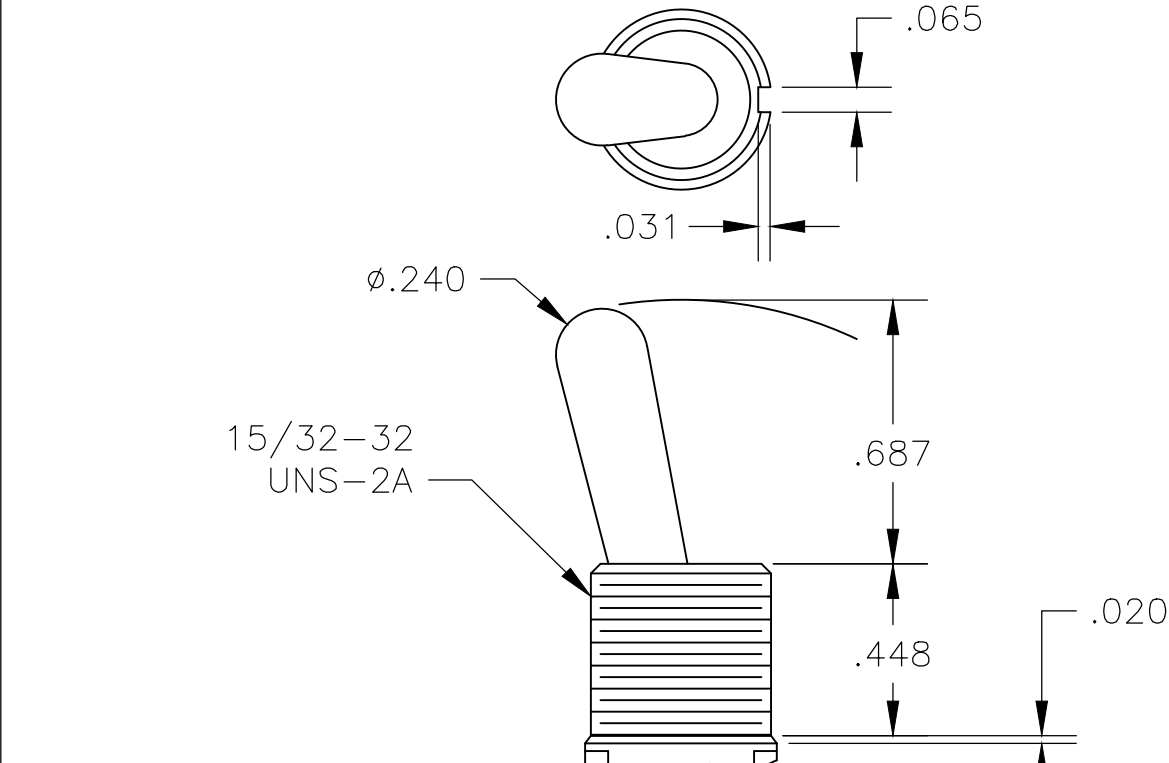
**L2** LEVER

DIM L	BUSHING TYPE	DIM L	BUSHING TYPE
.200	Y, H	.410	Y, H
.270	D, D9	.480	D, D9

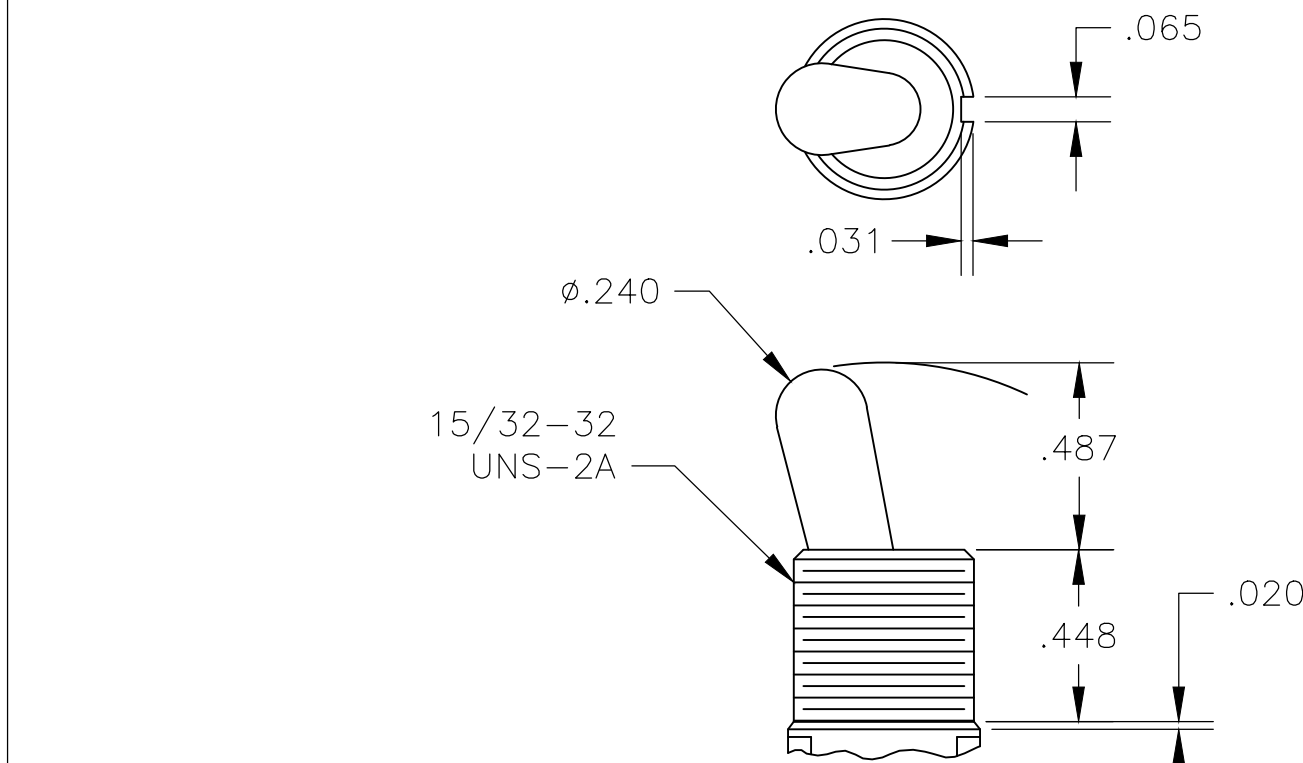
DIM L	BUSHING TYPE	DIM L	BUSHING TYPE	DIM L	BUSHING TYPE
.840	Y, H	.640	Y, H	.550	Y, H
.910	D, D9	.710	D, D9	.620	D, D9



**P3** NO BUSHING OPTION NEEDED

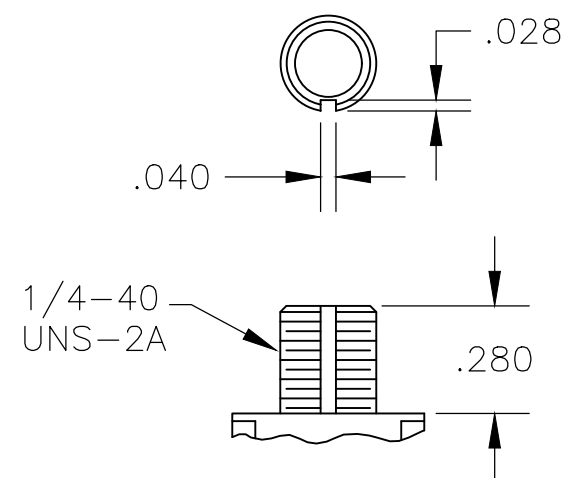


**T** NO BUSHING OPTION NEEDED



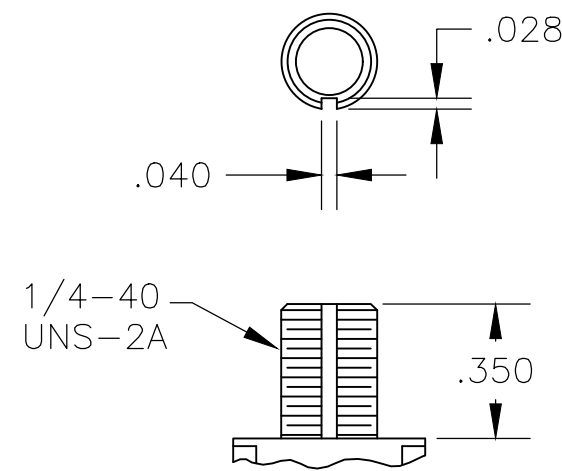
**T1** NO BUSHING OPTION NEEDED

### BUSHINGS



**D** THREADED

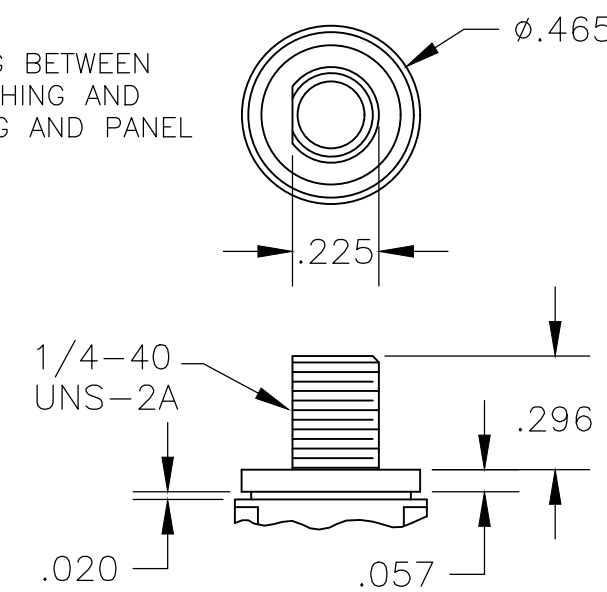
**D9** UNTHREADED



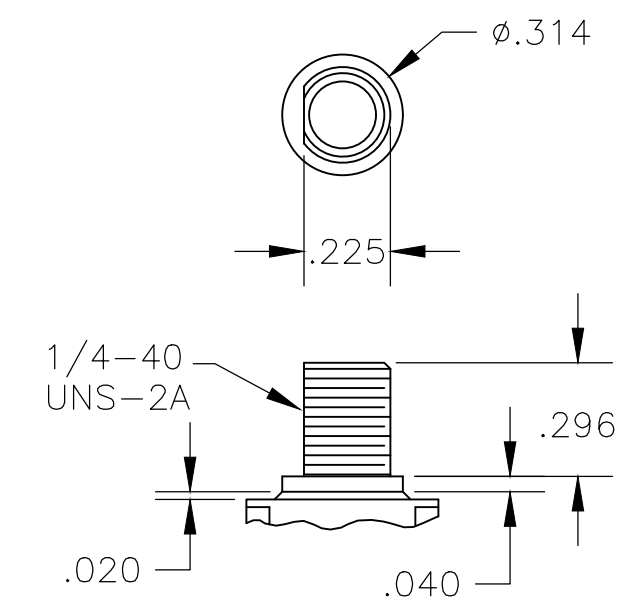
**Y** THREADED

**Y9** UNTHREADED

CONTAINS O-RING BETWEEN TOGGLE AND BUSHING AND BETWEEN BUSHING AND PANEL



**CW** THREADED SPLASHPROOF



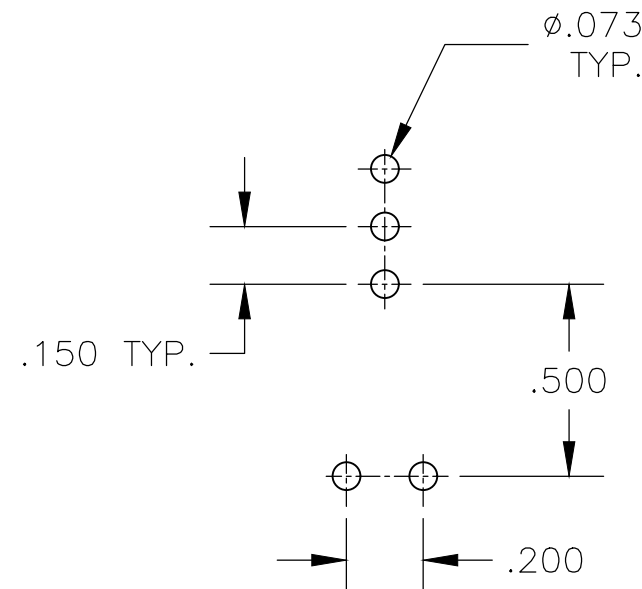
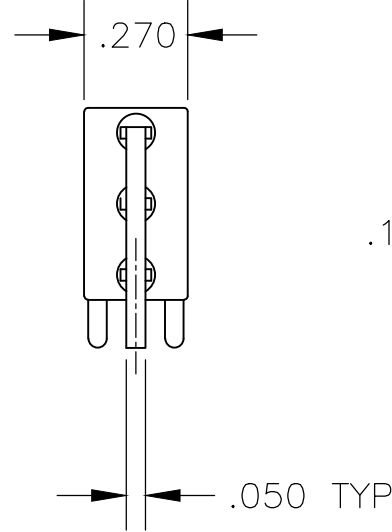
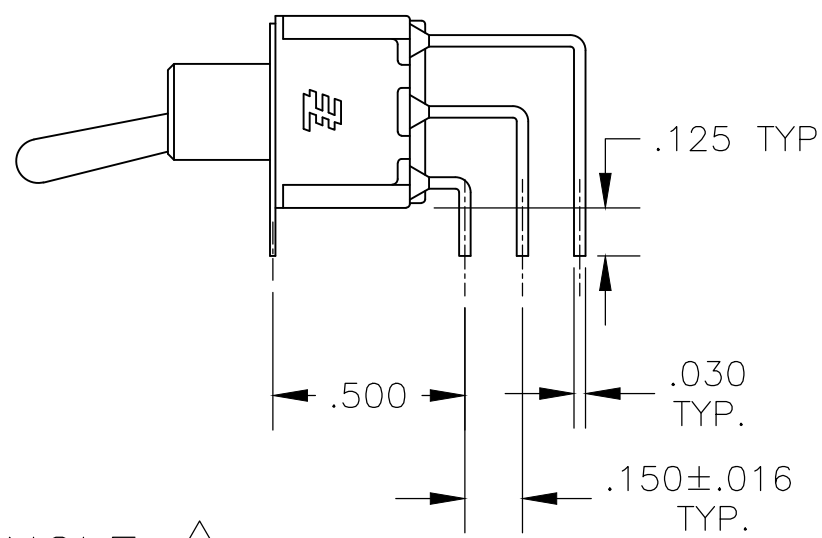
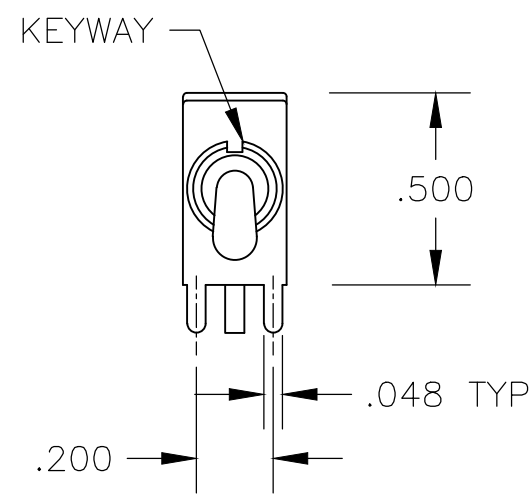
**H** HIGH TORQUE

THIS DRAWING IS A CONTROLLED DOCUMENT.

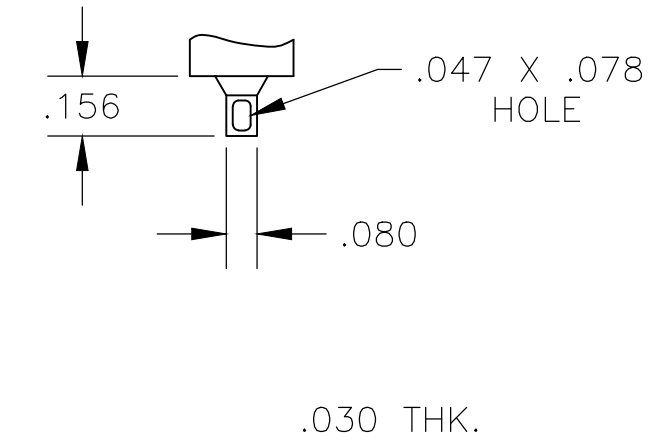
DIMENSIONS: INCHES	TOLERANCES UNLESS OTHERWISE SPECIFIED:	DWN: B.S.VISWESWARA	14APR05	 TE Connectivity	
	0 PLC ± -	CHK: M.ZITTO	-		
	1 PLC ± -	APVD: P.BROUILLETTE	-		
	2 PLC ± -	PRODUCT SPEC	-		
	3 PLC ± .010	APPLICATION SPEC	-		
MATERIAL	FINISH	WEIGHT	-	SIZE: A2 CAGE CODE: 00779 DRAWING NO: C=1825136 RESTRICTED TO: -	
CUSTOMER DRAWING			SCALE: 2:1	SHEET: 2 OF 4	REV: A8

THIS DRAWING IS UNPUBLISHED. RELEASED FOR PUBLICATION ALL RIGHTS RESERVED. © COPYRIGHT - By -

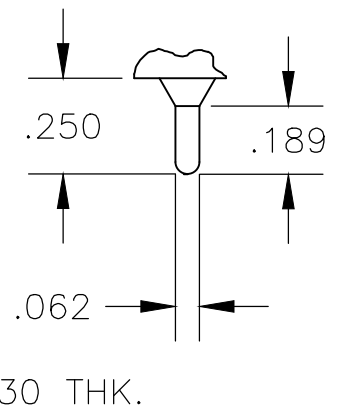
REVISIONS					
P	LTR	DESCRIPTION	DATE	DWN	APVD
-	-	SEE SHEET 1	-	-	-



RECOMMENDED PCB LAYOUT

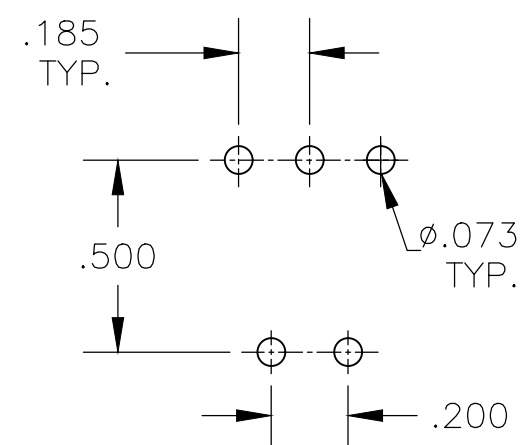
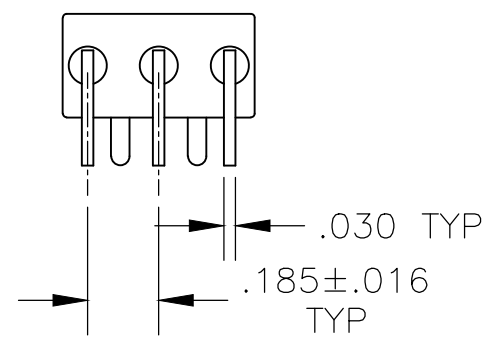
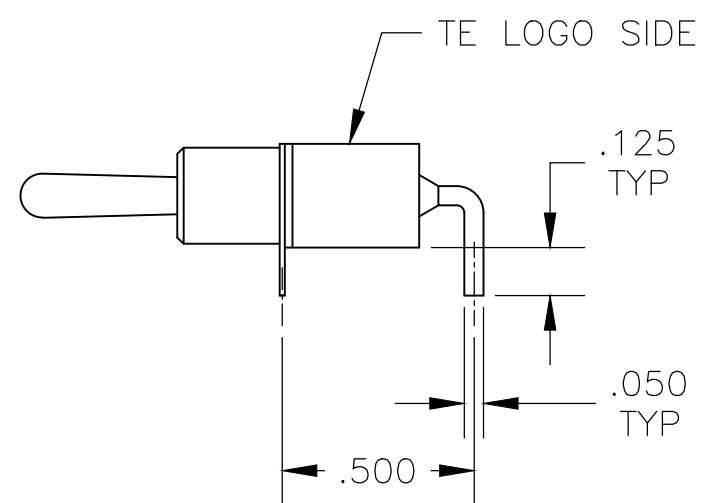
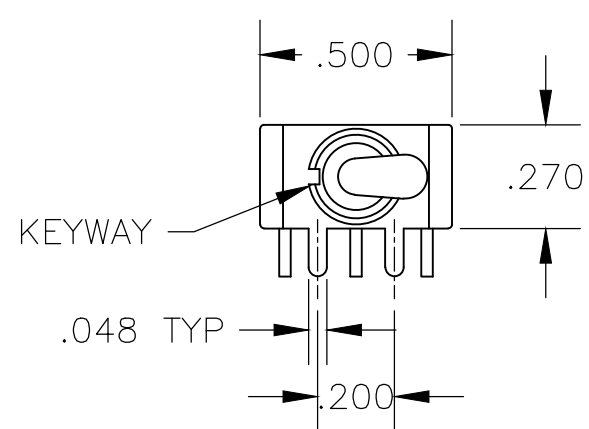


Z WIRE LUG

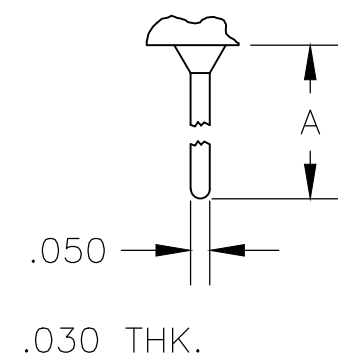


Z3 QUICK CONNECT

AV2 VERTICAL RIGHT ANGLE 5



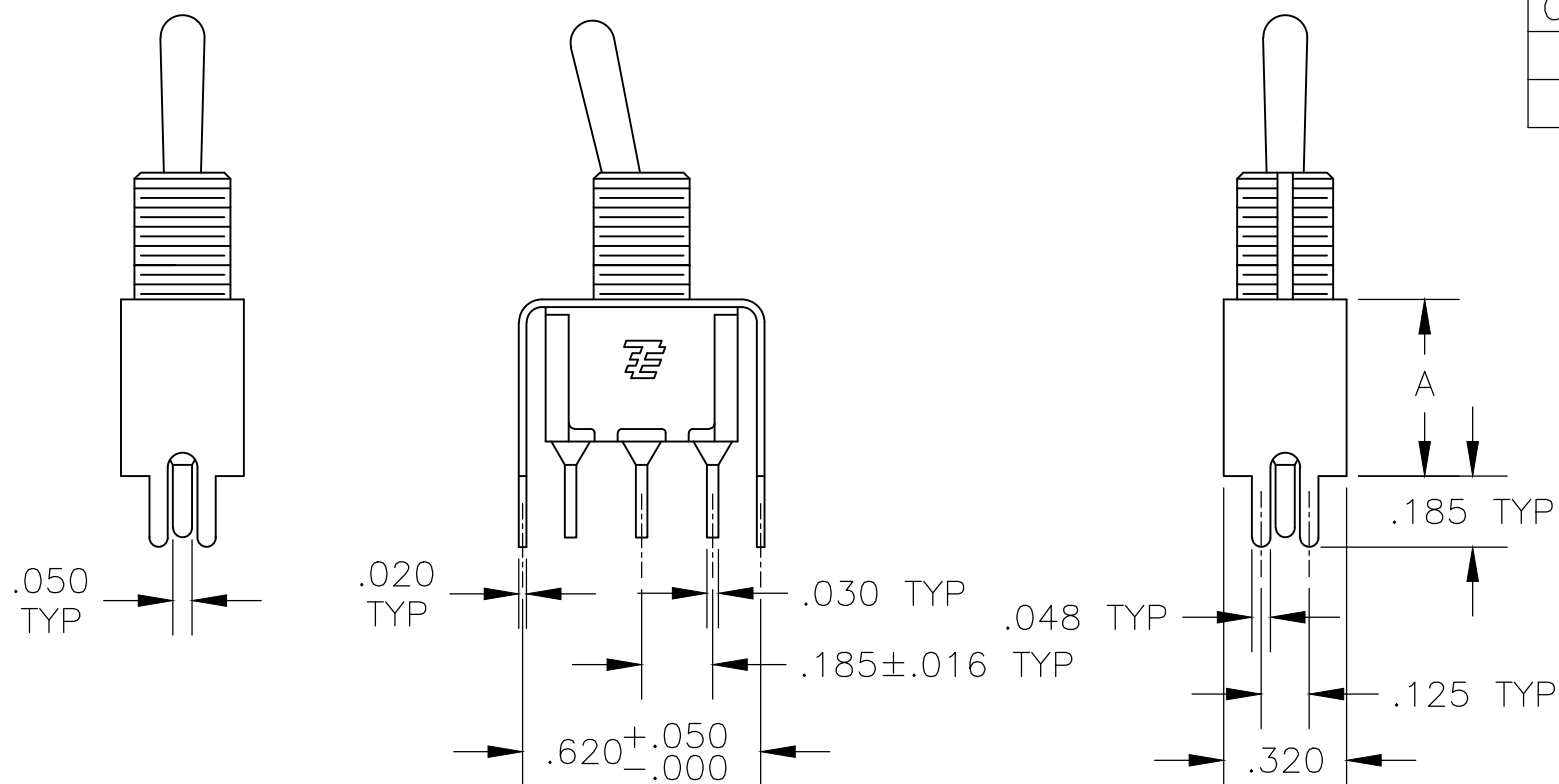
RECOMMENDED PCB LAYOUT



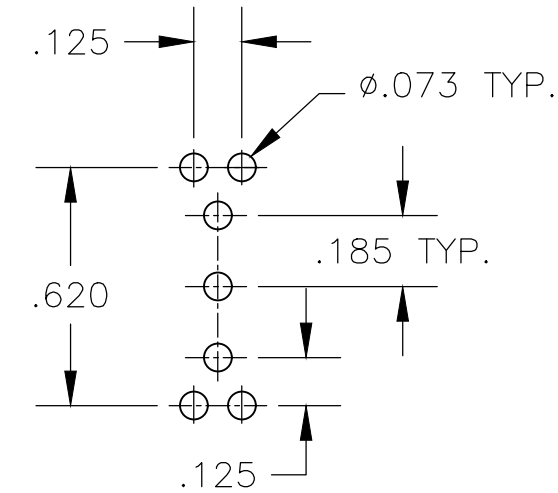
W W4 WIRE WRAP

OPTION	DIM A
W	.736
W4	1.062

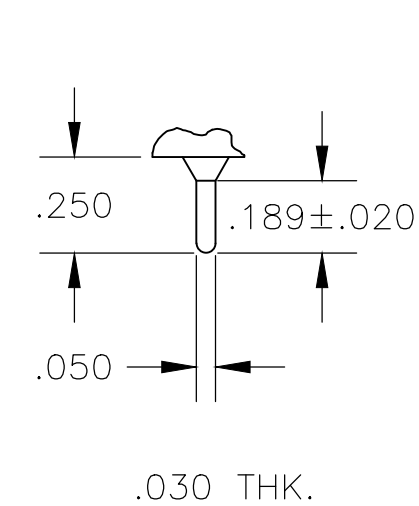
A RIGHT ANGLE 5



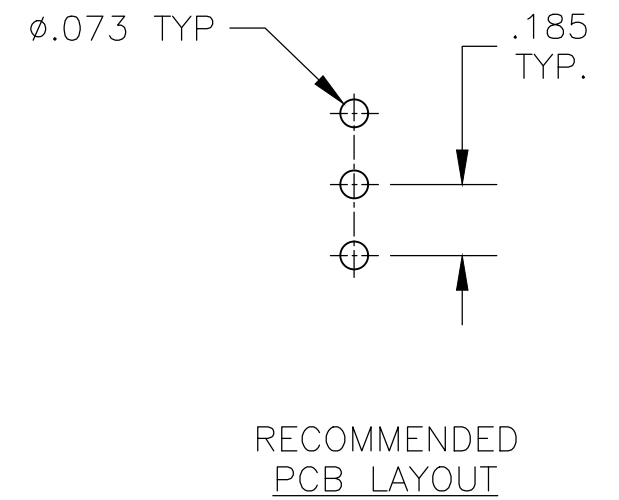
OPTION	DIM A
V30	.460
V40	.630



RECOMMENDED PCB LAYOUT



C PRINTED CIRCUIT



RECOMMENDED PCB LAYOUT

V30 V40 5 VERTICAL SUPPORT BRACKET

THIS DRAWING IS A CONTROLLED DOCUMENT.

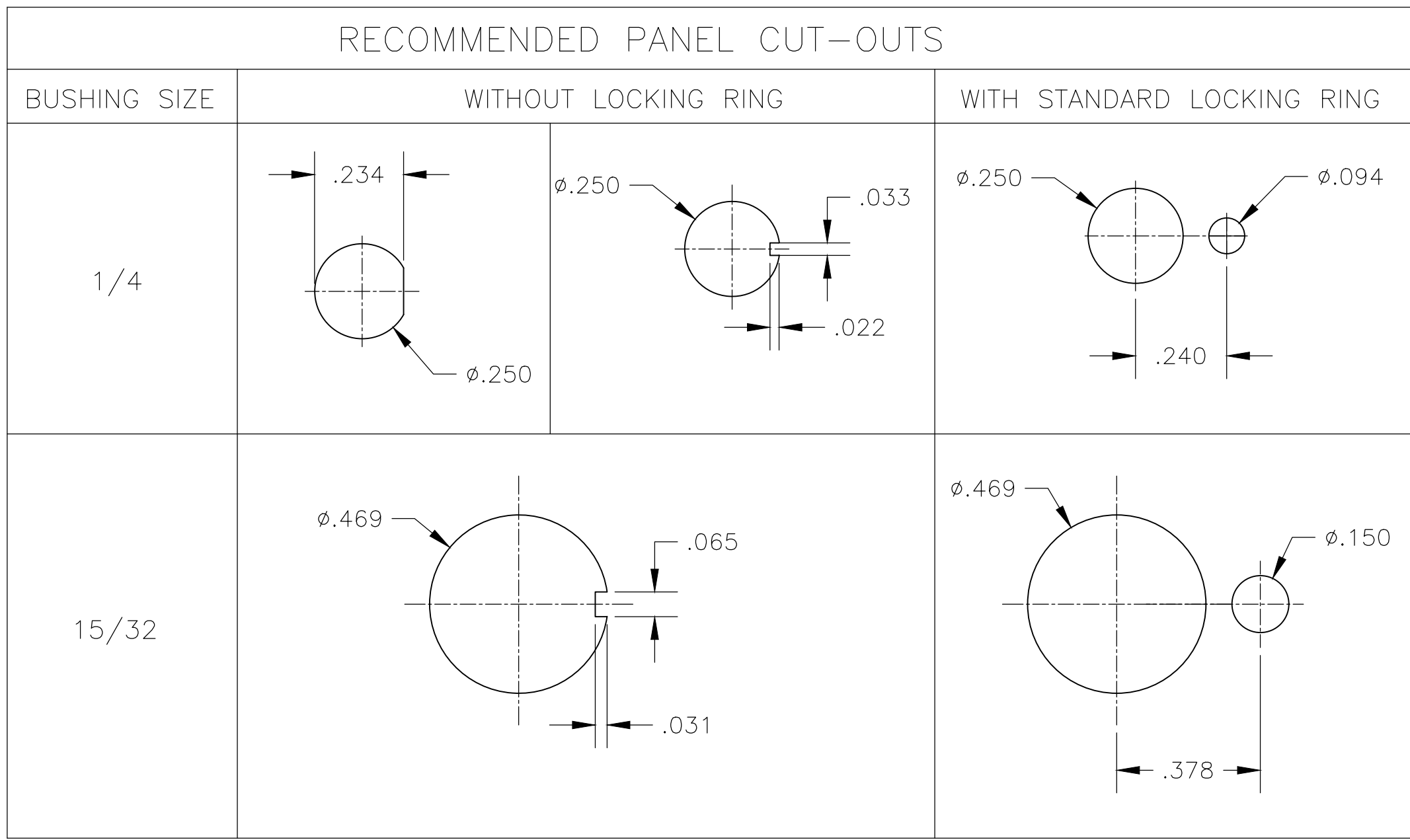
DIMENSIONS: INCHES	TOLERANCES UNLESS OTHERWISE SPECIFIED: 0 PLC ± - 1 PLC ± - 2 PLC ± - 3 PLC ± .010 4 PLC ± - ANGLES ± 2°	DWN: B.S.VISWESWARA 14APR05 CHK: M.ZITTO APVD: P.BROUILLETTE PRODUCT SPEC: - APPLICATION SPEC: - WEIGHT: -	NAME: GEMINI A SERIES TOGGLE SWITCH, SINGLE POLE, 2 POSITION FUNCTIONS (01 & 08)
MATERIAL: -	FINISH: -	SIZE: A2 CAGE CODE: 00779 DRAWING NO: C=1825136	RESTRICTED TO: -
CUSTOMER DRAWING		SCALE: 2:1	SHEET: 3 OF 4 REV: A8

THIS DRAWING IS UNPUBLISHED. RELEASED FOR PUBLICATION  
 © COPYRIGHT - By - ALL RIGHTS RESERVED.

REVISIONS				
P	LTR	DESCRIPTION	DATE	APVD
-	-	SEE SHEET 1	-	-

	Alco P/N	P/N
	A101K1V30B04	1825136-1
	A101KAB04	1825136-2
	A101KAQ04	1825136-3
	A101P3YV30B04	1825136-4
OBSOLETE	A101KCCQ04	1825136-5
	A101KD9AQ04	1825136-6
	A101KZQ04	1825136-7
	A101SYAV2B04	1825136-8
	A101L1D9V30Q04	1825136-9
OBSOLETE	A101L1YZB04	1-1825136-0
OBSOLETE	A101LDZQ04	1-1825136-1
	A101MD9AB04	1-1825136-2
	A101MD9AG04	1-1825136-3
	A101MD9AQ04	1-1825136-4
	A101MD9AV2B04	1-1825136-5
OBSOLETE	A101MD9AV2G04	1-1825136-6
	A101MD9AV2Q04	1-1825136-7
OBSOLETE	A101MD9V30B04	1-1825136-8
	A101MDAQ04	1-1825136-9
	A101MDAV2B04	2-1825136-0
	A101MDCG04	2-1825136-1
	A101MDZQ04	2-1825136-2
OBSOLETE	A101MYCQ04	2-1825136-3
	A101MYZQ04	2-1825136-4
	A103SYAV2B04	2-1825136-5
	A101P3CB04	2-1825136-6
	A101P3ZQ04	2-1825136-7
	A101KAV2Q04	2-1825136-8
OBSOLETE	A101MDCQ04	2-1825136-9
	A101SCWCQ004	3-1825136-0
	A101SCWZQ04	3-1825136-1
	A101SD9AB04	3-1825136-2
	A101SD9AQ04	3-1825136-3
OBSOLETE	A101SD9AV2B04	3-1825136-4
	A101SD9AV2Q04	3-1825136-5
	A101SD9V30B04	3-1825136-6
	A101SD9V30Q04	3-1825136-7
	A101SDCQ04	3-1825136-8
	A101SDZQ04	3-1825136-9
	A101SHZQ04	4-1825136-0
	A101SY9CQ04	4-1825136-1
	A101SYAB04	4-1825136-2
	A101SYAQ04	4-1825136-3
	A101SYCB04	4-1825136-4
	A101SYCQ04	4-1825136-5
OBSOLETE	not assigned	4-1825136-6
	A101SYWQ04	4-1825136-7
	A101SYZB04	4-1825136-8

	Alco P/N	P/N
	A101SYZQ04	4-1825136-9
OBSOLETE	not assigned	5-1825136-0
OBSOLETE	not assigned	5-1825136-1
	A101T1ZB04	5-1825136-2
	A101T1ZQ04	5-1825136-3
	A101TCQ04	5-1825136-4
	A101TZQ04	5-1825136-5
OBSOLETE	A108MD9AB04	5-1825136-6
OBSOLETE	not assigned	5-1825136-7
OBSOLETE	A108P3CQ04	5-1825136-8
OBSOLETE	A108P3ZQ04	5-1825136-9
OBSOLETE	A108SD9AQ04	6-1825136-0
	A108SDZQ04	6-1825136-1
	A108SYCB04	6-1825136-2
	A108SYCQ04	6-1825136-3
OBSOLETE	A108SYZQ04	6-1825136-4
OBSOLETE	not assigned	6-1825136-5
	A101SYAG04	6-1825136-6



### MATERIALS CHART

COMPONENT NAME	BASE MATERIAL	FINISH
CASE	DAP, RED, UL94 V-0	
FRAME	STAINLESS STEEL	
B TERMINALS & CONTACTS	COPPER	GOLD OVER NICKEL
G TERMINALS & CONTACTS	COPPER	GOLD OVER SILVER
Q TERMINALS & CONTACTS	COPPER	.000400 SILVER
ACTUATOR	PHENOLIC, BLACK, UL94 V-1	
LEVER	BRASS	CHROME
BUSHING	BRASS	NICKEL
SPRING	MUSIC WIRE	
SUPPORT BRACKET	BRASS	TIN
PIVOT PIN	STEEL	NICKEL
LOCK WASHER	STAINLESS STEEL	
LOCKING RING	STAINLESS STEEL	
NUTS	C3604BD BRASS	NICKEL
TERMINAL SEAL	EPOXY	

THIS DRAWING IS A CONTROLLED DOCUMENT.

DWN	B.S.VISWESWARA	14APR05
CHK	M.ZITTO	-
APVD	P.BROUILLETTE	-
PRODUCT SPEC		
APPLICATION SPEC		
WEIGHT	0	
CUSTOMER DRAWING		

**STE** TE Connectivity

GEMINI A SERIES TOGGLE SWITCH, SINGLE POLE, 2 POSITION FUNCTIONS (01 & 08)

SIZE	A2	CAGE CODE	00779	DRAWING NO	1825136	RESTRICTED TO	-
SCALE	3:1	SHEET	4 of 4	REV	A8		

## X-ON Electronics

Largest Supplier of Electrical and Electronic Components

*Click to view similar products for [Toggle Switches](#) category:*

*Click to view products by [TE Connectivity](#) manufacturer:*

Other Similar products are found below :

[8A1-C-222](#) [60012L](#) [6006L](#) [6663](#) [7101MD9V30GE](#) [7101SPDV30BE](#) [7103SDV30BE](#) [7105D](#) [7108P3YAV2BE](#) [71YY50282](#)  
[7201MD9AVBE](#) [7301K38](#) [7306K36](#) [7310K36](#) [7314K36](#) [7506K4](#) [7660K12](#) [7691K14](#) [7700K1](#) [FA75A-CBL](#) [8396K108](#) [8824K14](#) [8828K13](#)  
[G2VX](#) [G3VX](#) [PS83-121G](#) [A101MD9AB04](#) [A101SD9AB04](#) [A101SDCQ04](#) [A103SD9AQ04](#) [A107TZB04](#) [A123P32YZQ](#) [A123S1YZG](#)  
[A127S1YCQ](#) [1-1825192-0](#) [A131S1YZQ](#) [A201SCWZB04](#) [A207SYCB04](#) [A208J61ZQ0004](#) [A221K12KAG](#) [A221S1YZQ](#) [A221T1TCQ](#)  
[A232K12KZQ](#) [A232M1YCQ](#) [A323S1CWZQ](#) [A423S1CWZG-M8](#) [A423S1YZQ](#) [12149A-3V](#) [12156AX408](#) [12147AGKX679](#)